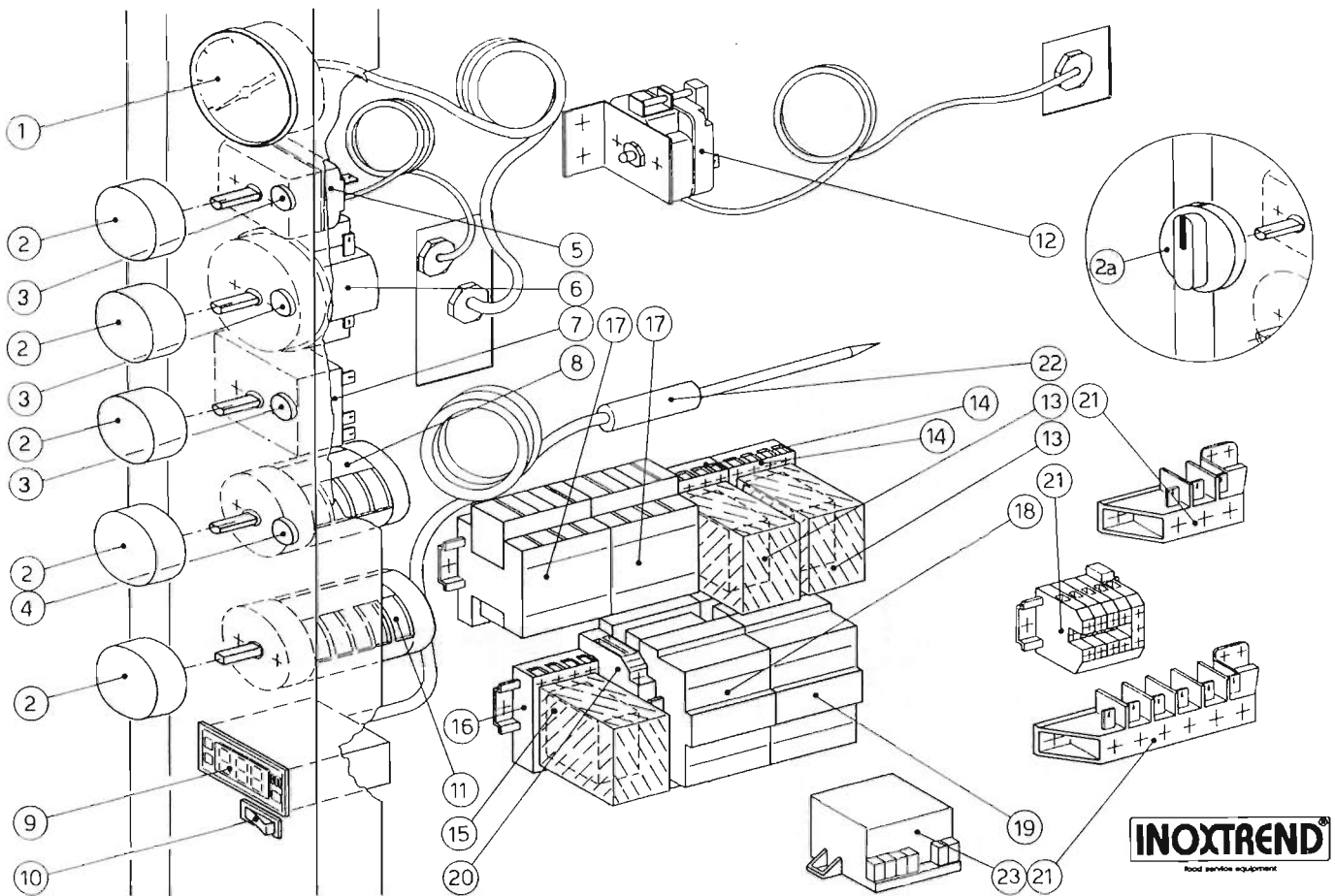
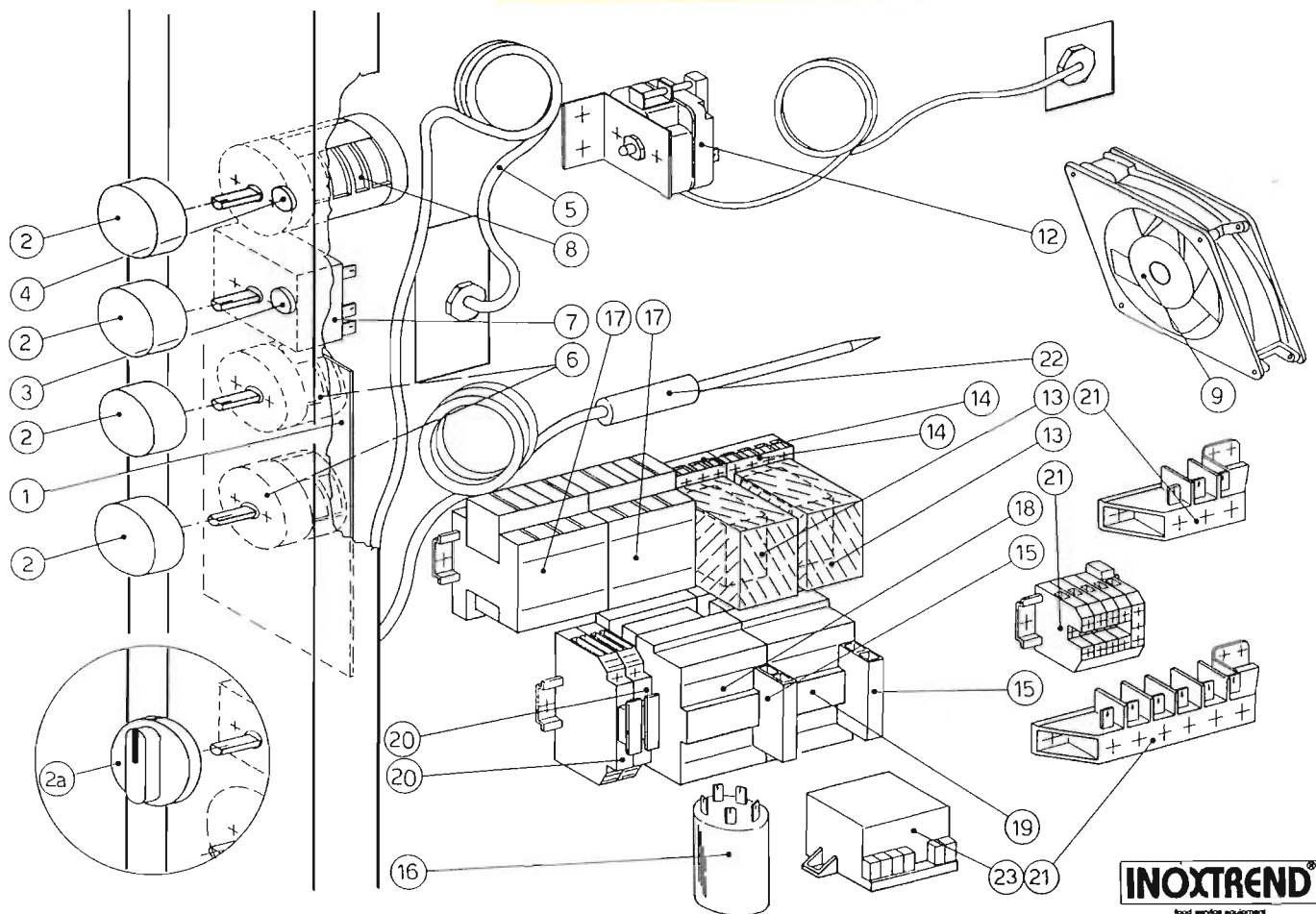


INOXTREND®

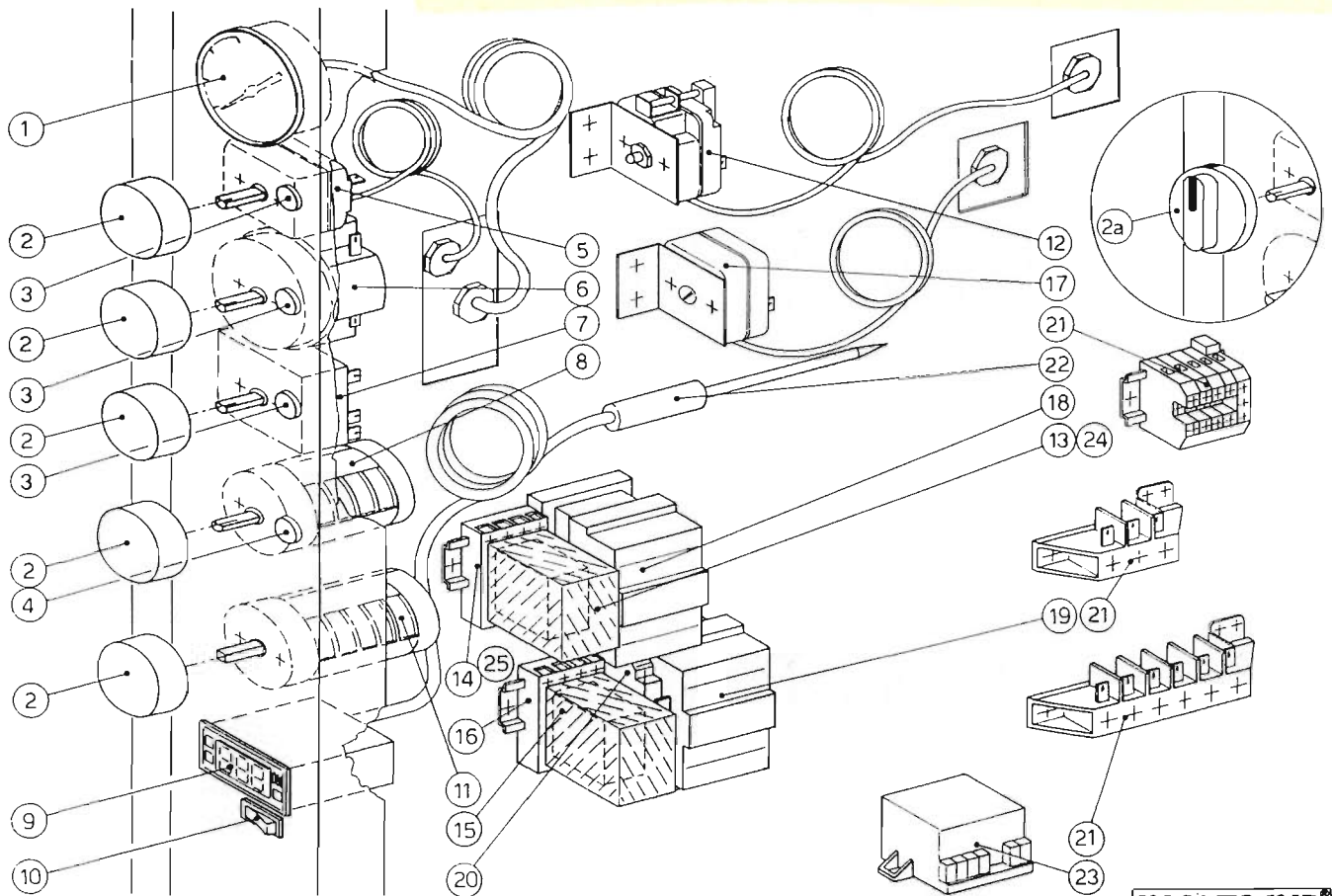
| N° | CODICE | TAVOLA RICAMBI FORNO | | | | | | SPARE-PARTS TABLE | | | | RT-002 |
|-----|------------|----------------------|-------|-------|--------|--------|--------|-------------------|--|--|--|--------|
| | | Modello | TE-10 | TG-10 | ETE-10 | ETG-10 | DTE-10 | DTG-10 | | | | |
| 0 | RRC2061-90 | X | X | X | X | X | X | | | | | |
| 1 | RRC2061-00 | X | X | X | X | X | X | | | | | |
| 2 | RRC2063-00 | X | X | X | X | X | X | | | | | |
| 3 | RRC2065-00 | X | X | X | X | X | X | | | | | |
| 4 | RRC2219-00 | X | X | X | X | X | X | | | | | |
| 5 | RRC2074-00 | X | X | X | X | X | X | | | | | |
| 6 | RRC2075-00 | X | X | X | X | X | X | | | | | |
| 7 | RRC2076-00 | X | X | X | X | X | X | | | | | |
| 8 | RRC2080-00 | X | X | X | X | X | X | | | | | |
| 9 | RRC2083-00 | X | X | X | X | X | X | | | | | |
| 10 | RRC1721-00 | X | X | X | X | X | X | | | | | |
| 11 | RRC2072-00 | X | X | X | X | X | X | | | | | |
| 12 | RRC2163-00 | X | X | X | X | X | X | | | | | |
| 13 | RRC1725-00 | X | X | X | X | X | X | | | | | |
| 14 | RRC2184-00 | X | X | X | X | X | X | | | | | |
| 15 | RRC2090-00 | X | X | X | X | X | X | | | | | |
| 16 | RRC2089-00 | X | X | X | X | X | X | | | | | |
| 17 | RRC1715-00 | X | X | X | X | X | X | | | | | |
| 17a | RRC2091-00 | X | X | | | X | X | | | | | |
| 18 | RRC1418-00 | X | X | X | X | X | X | | | | | |
| 18a | RRC2092-00 | X | X | | | X | X | | | | | |
| 19 | RRC2185-00 | X | X | X | X | X | X | | | | | |
| 20 | RRC2181-00 | X | X | X | X | X | X | | | | | |
| 21 | RRC2180-00 | X | X | X | X | X | X | | | | | |



| N° | CODICE Modello Model | TAVOLA RICAMBI FORNO | | | | | | SPARE-PARTS TABLE | | | | RT-004 |
|----|----------------------------|----------------------|------|----------|-------|-------|-------|-------------------|--|--|--|--------|
| | | TE-5 | TG-5 | TE-10 | TG-10 | TE-20 | TG-20 | | | | | |
| 1 | RRC2186-00 | X | X | X | X | X | X | | | | | |
| 2 | RRC2187-00 | X | X | X | X | X | X | | | | | |
| 2a | RRC2187-11 | X | X | X | X | X | X | | | | | |
| 2b | RRC2188-00 | X | X | X | X | X | X | | | | | |
| 3 | RRC2189-00 | X | X | X | X | X | X | | | | | |
| 4 | RRC2205-00 | X | X | X | X | X | X | | | | | |
| 5 | RRC2190-00 | X | X | X | X | X | X | | | | | |
| 6 | RRC2191-00 | X | X | X | X | X | X | | | | | |
| 7 | RRC2192-00 | X | X | X | X | X | X | | | | | |
| 8 | RRC2213-00 | X | X | X | X | X | X | | | | | |
| 9 | RRC2196-00 | | | OPTIONAL | | | | | | | | |
| 10 | RRC2206-00 | | | OPTIONAL | | | | | | | | |
| 11 | RRC2197-00 | | | OPTIONAL | | | | | | | | |
| 12 | RRC2198-00 | X | X | X | X | X | X | | | | | |
| 13 | RRC2204-00 | X | X | X | X | X | X | | | | | |
| 14 | RRC2204-01 | X | X | X | X | X | X | | | | | |
| 15 | RRC2204-00 | | | OPTIONAL | | | | | | | | |
| 16 | RRC2204-01 | | | OPTIONAL | | | | | | | | |
| 17 | RRC2200-00 | X | X | X | X | X | X | | | | | |
| 18 | RRC2201-00 | X | | | | | | | | | | |
| 18 | RRC2202-00 | | | X | | | | | | | | |
| 18 | RRC2203-00 | | | | | X | | | | | | |
| 19 | RRC2200-00 | X | X | | | | | | | | | |
| 19 | RRC2201-00 | | | X | X | X | X | | | | | |
| 20 | RRC2217-00 | X | X | X | X | X | X | | | | | |
| 21 | RRFX0144-00 | X | | | X | | X | | | | | |
| 21 | RRFX0145-00 | | X | | | | | | | | | |
| 21 | RRC2208-00 | | | X | | | | | | | | |
| 21 | RRC2464-00 | | | | | X | | | | | | |
| 22 | RRC2209-00 | | | OPTIONAL | | | | | | | | |
| 23 | RRFX0149-00 | | | OPTIONAL | | | | | | | | |

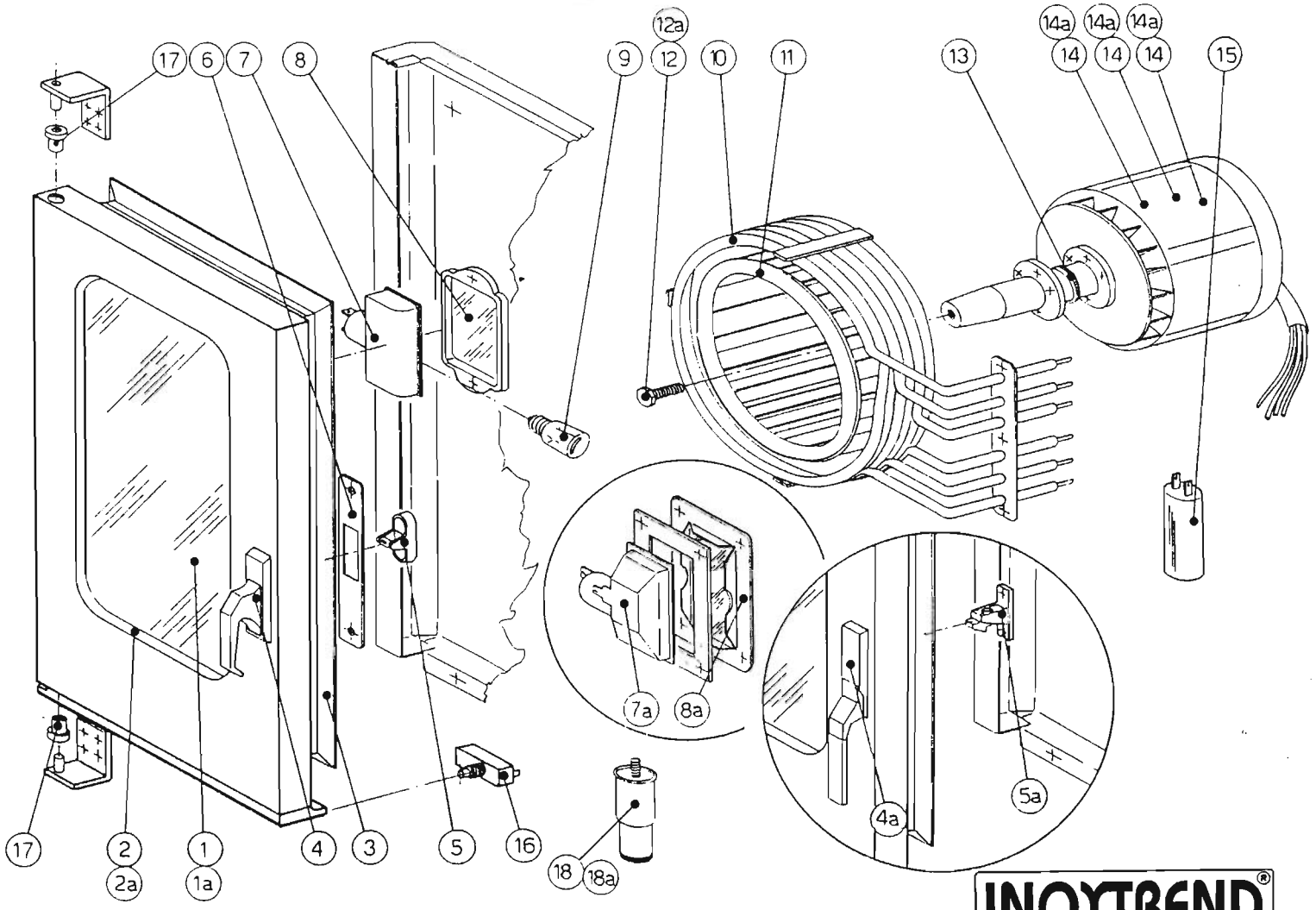


| N° | CODICE | TAVOLA RICAMBI FORNO | | | | | | SPARE-PARTS TABLE | | | | RT-004 A | |
|----|--------------|----------------------|-------|--------|--------|--------|--------|-------------------|--|--|--|----------|--|
| | Modello | | | | | | | | | | | | |
| | Model | ETE-5 | ETG-5 | ETE-10 | ETG-10 | ETE-20 | ETG-20 | | | | | | |
| 1 | RRC2560-00 | X | X | X | X | X | X | | | | | | |
| 2 | RRC2187-00 | X | X | X | X | X | X | | | | | | |
| 2a | RRC2187-11 | X | X | X | X | X | X | | | | | | |
| 2b | RRC2188-00 | X | X | X | X | X | X | | | | | | |
| 3 | RRC2189-00 | X | X | X | X | X | X | | | | | | |
| 4 | RRC2205-00 | X | X | X | X | X | X | | | | | | |
| 5 | RRC2471-00 | X | X | X | X | X | X | | | | | | |
| 6 | RRC2241-00 | X | X | X | X | X | X | | | | | | |
| 7 | RRC2192-00 | X | X | X | X | X | X | | | | | | |
| 8 | RRC2213-00 | X | X | X | X | X | X | | | | | | |
| 9 | RRCFX0068-00 | X | X | X | X | X | X | | | | | | |
| 10 | | | | | | | | | | | | | |
| 11 | | | | | | | | | | | | | |
| 12 | RRC2198-00 | X | X | X | X | X | X | | | | | | |
| 13 | RRC2204-00 | X | X | X | X | X | X | | | | | | |
| 14 | RRC2204-01 | X | X | X | X | X | X | | | | | | |
| 15 | RRC2222-00 | X | X | X | X | X | X | | | | | | |
| 16 | RRC2470-00 | X | X | X | X | X | X | | | | | | |
| 17 | RRC2200-00 | X | X | X | X | X | X | | | | | | |
| 18 | RRC2201-00 | X | | | | | | | | | | | |
| 18 | RRC2202-00 | | | X | | | | | | | | | |
| 18 | RRC2203-00 | | | | | X | | | | | | | |
| 19 | RRC2200-00 | X | X | | | | | | | | | | |
| 19 | RRC2201-00 | | | X | X | X | X | | | | | | |
| 20 | RRC2217-00 | X | X | X | X | X | X | | | | | | |
| 21 | RRFX0144-00 | X | | | X | | | | | | | | |
| 21 | RRFX0145-00 | | X | | | | | | | | | | |
| 21 | RRC2208-00 | | | X | | | | | | | | | |
| 21 | RRC2464-00 | | | | | X | | | | | | | |
| 22 | RRC2209-00 | X | X | X | X | X | X | | | | | | |
| 23 | RRC2563-00 | X | X | X | X | X | X | | | | | | |



INOXTREND
food service equipment

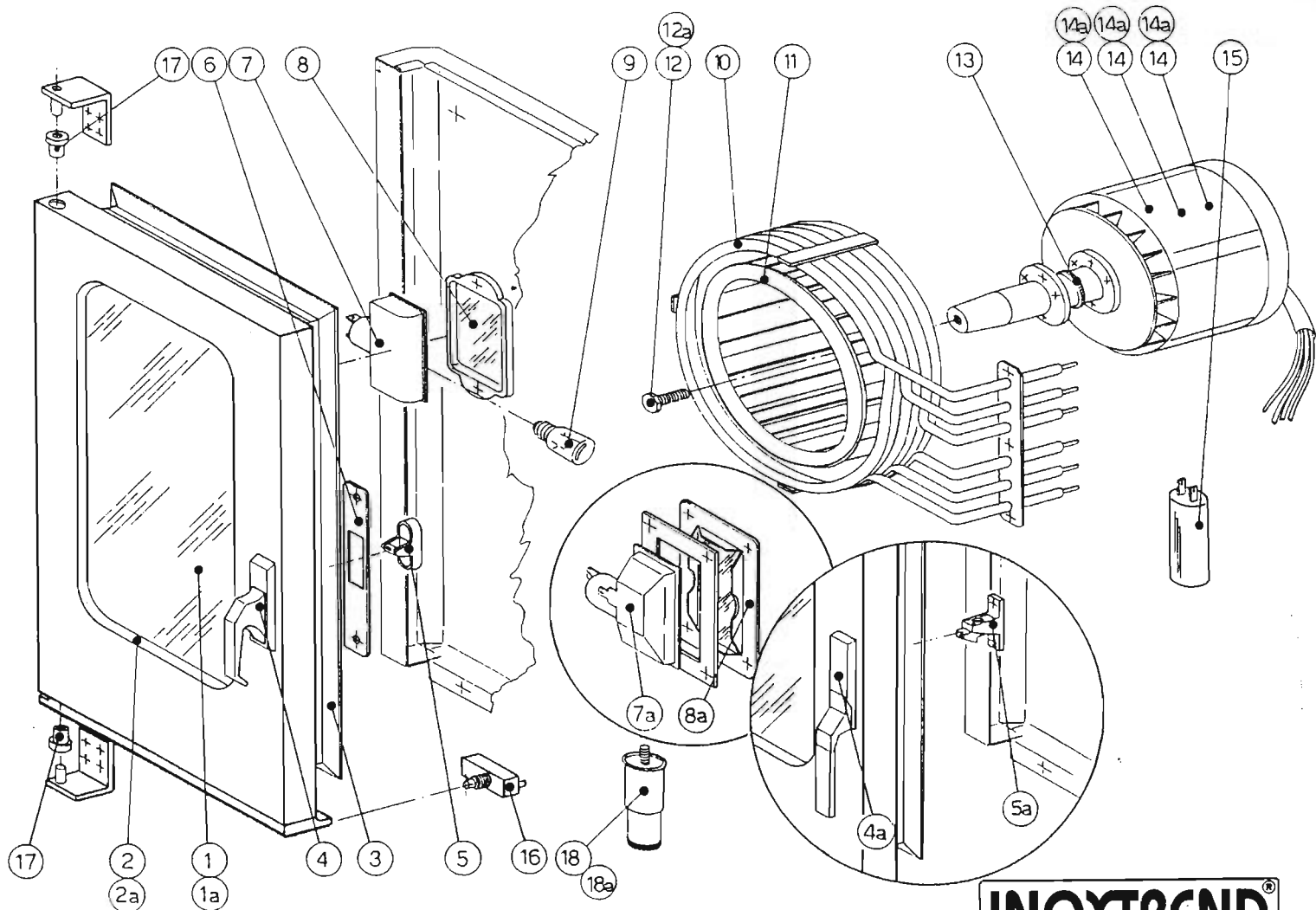
| N° | CODICE Modello Model | TAVOLA RICAMBI FORNO | | | | | SPARE-PARTS TABLE | | | | | | RT-005 | |
|----|----------------------------|----------------------|------|-------|-------|-------|-------------------|-------|-------|--------|--------|--------|--------|--|
| | | CE-5 | CG-5 | CE-10 | CG-10 | CE-20 | CG-20 | CVE-5 | CVG-5 | CVE-10 | CVG-10 | CVE-20 | CVG-20 | |
| 1 | RRC2186-00 | X | X | X | X | X | X | X | X | X | X | X | X | |
| 2 | RRC2187-00 | X | X | X | X | X | X | X | X | X | X | X | X | |
| 2a | RRC2187-11 | X | X | X | X | X | X | X | X | X | X | X | X | |
| 2b | RRC2188-00 | X | X | X | X | X | X | X | X | X | X | X | X | |
| 3 | RRC2189-00 | X | X | X | X | X | X | X | X | X | X | X | X | |
| 4 | RRC2205-00 | X | X | X | X | X | X | X | X | X | X | X | X | |
| 5 | RRC2190-00 | X | X | X | X | X | X | X | X | X | X | X | X | |
| 6 | RRC2191-00 | X | X | X | X | X | X | X | X | X | X | X | X | |
| 7 | RRC2192-00 | X | X | X | X | X | X | X | X | X | X | X | X | |
| 8 | RRC2214-00 | X | X | X | X | X | X | X | X | X | X | X | X | |
| 9 | RRC2196-00 | | | | | | OPTIONAL | | | | | | | |
| 10 | RRC2206-00 | | | | | | OPTIONAL | | | | | | | |
| 11 | RRC2197-00 | | | | | | OPTIONAL | | | | | | | |
| 12 | RRC2198-00 | X | X | X | X | X | X | X | X | X | X | X | X | |
| 13 | RRC2204-00 | | | | | | X | X | X | X | X | X | X | |
| 14 | RRC2204-01 | | | | | | X | X | X | X | X | X | X | |
| 15 | RRC2204-00 | | | | | | OPTIONAL | | | | | | | |
| 16 | RRC2204-01 | | | | | | OPTIONAL | | | | | | | |
| 17 | RRC2218-00 | | | | | | X | X | X | X | X | X | X | |
| 18 | RRC2201-00 | X | | | | | X | | | | | | | |
| 18 | RRC2202-00 | | | X | | | | | X | | | | | |
| 18 | RRC2203-00 | | | | | X | | | | X | | X | | |
| 19 | RRC2200-00 | X | X | | | | X | X | | | | | | |
| 19 | RRC2201-00 | | | X | X | X | X | | X | X | X | X | X | |
| 20 | RRC2217-00 | X | X | X | X | X | X | X | X | X | X | X | X | |
| 21 | RRFX0144-00 | X | | X | X | | X | | X | X | X | X | X | |
| 21 | RRFX0145-00 | | X | | | | | | X | | | | | |
| 21 | RRC2464-00 | | | | | X | | | | | | X | | |
| 22 | RRC2209-00 | | | | | | OPTIONAL | | | | | | | |
| 23 | RRFX0149-00 | | | | | | OPTIONAL | | | | | | | |
| 24 | RRC2212-00 | | | | | | X | X | X | X | X | X | X | |
| 25 | RRC2212-01 | | | | | | X | X | X | X | X | X | X | |



INOXTREND®

| N° | CODICE | TAVOLA RICAMBI FORNO | | | | | | SPARE-PARTS TABLE | | | | RT-007 | |
|-----|------------|----------------------|--------|----------|---------|----------|--------|-------------------|---------|--------|--------|--------|------|
| | | CE-10 | CG-10 | CVE-10 | CVG-10 | TE-10 | TG-10 | DCVE-10 | DCVG-10 | DTE-10 | DTG-10 | PE-8 | PG-8 |
| | Modello | ECE-10 | ECG-10 | ECVE-10 | ECVG-10 | ETE-10 | ETG-10 | | | | | | |
| | Model | | | | | | | | | | | | |
| 1 | RRC2167-00 | X | X | X | X | X | X | X | X | X | X | X | X |
| 1 | RRC3038-00 | | | | | | | | | | | | |
| 1a | RRC1034-00 | X | X | X | X | X | X | X | X | X | X | | |
| 2 | RRC2183-02 | X | X | X | X | X | X | X | X | X | X | | |
| 2 | RRC2183-04 | | | | | | | | | | | X | X |
| 2a | RRC2216-02 | X | X | X | X | X | X | X | X | X | X | | |
| 3 | RRC2215-02 | X | X | X | X | X | X | X | X | X | X | | |
| 3 | RRC2215-05 | | | | | | | | | | | X | X |
| 4 | RRC2211-01 | X | X | X | X | X | X | X | X | X | X | X | X |
| 4a | RRC2210-01 | X | X | X | X | X | X | X | X | X | X | | |
| 5 | RRC2211-02 | X | X | X | X | X | X | X | X | X | X | X | X |
| 5a | RRC2210-02 | X | X | X | X | X | X | X | X | X | X | | |
| 6 | RRC2094-00 | X | X | X | X | X | X | X | X | X | X | | |
| 6 | RRC3036-00 | | | | | | | | | | | X | X |
| 7 | RRC2104-01 | X | X | X | X | X | X | X | X | X | X | X | X |
| 7a | RRC2272-01 | X | X | X | X | X | X | X | X | X | X | X | X |
| 8 | RRC2104-02 | X | X | X | X | X | X | X | X | X | X | X | X |
| 8a | RRC2272-02 | X | X | X | X | X | X | X | X | X | X | X | X |
| 9 | RRC2104-03 | X | X | X | X | X | X | X | X | X | X | X | X |
| 10 | RRC2036-00 | X | | | | X | | | | X | | | |
| 10 | RRC3090-00 | | | X | | | | X | | | | X | |
| 11 | RRC2030-00 | X | X | X | X | X | X | X | X | X | X | X | X |
| 11 | RRC3068-00 | | | | | | | | | | | X | X |
| 12 | RRC3069-00 | X | X | X | X | X | X | X | X | X | X | X | X |
| 12a | RRC2035-00 | X | X | X | X | X | X | X | X | X | X | | |
| 13 | RRC2027-00 | X | X | X | X | X | X | X | X | X | X | X | X |
| 14 | RRC2900-00 | | X | | X | | | | | | | X | X |
| 14 | RRC2901-00 | X | | X | | X | X | | | | | X | X |
| 14 | RRC2902-00 | OPTIONAL | | OPTIONAL | | OPTIONAL | | X | X | X | X | | |
| 14a | RRC2016-00 | | X | | X | | | | | | | X | X |
| 14a | RRC2015-00 | X | | X | | X | X | | | | | | |
| 14a | RRC2017-00 | OPTIONAL | | OPTIONAL | | OPTIONAL | | X | X | X | X | | |
| 15 | RRC2032-00 | | X | | X | | X | | | | | | |
| 16 | RRC2207-00 | X | X | X | X | X | X | X | X | X | X | X | X |
| 17 | RRC1043-00 | X | X | X | X | X | X | X | X | X | X | X | X |
| 18 | RRC2270-00 | X | X | X | X | X | X | X | X | X | X | X | X |
| 18a | RRC1069-00 | X | X | X | X | X | X | X | X | X | X | | |

* SOSPESO DALLA MTR.9703...(MAR 97) ALLA MTR.9709...(SET 97) E SOSTITUITO CON RRC2272-02 POS.8a



INOXTREND®

| N° | CODICE | TAVOLA RICAMBI FORNO | | | | | | SPARE-PARTS TABLE | | | | | RT-006 | |
|-----|--------------|----------------------|-------|----------|--------|----------|-------|-------------------|--------|-------|-------|------|--------|--|
| | | CE-5 | CG-5 | CVE-5 | CVG-5 | TE-5 | TG-5 | DCVE-5 | DCVG-5 | DTE-5 | DTG-5 | PE-4 | PG-4 | |
| | Modello | ECE-5 | ECG-5 | ECVE-5 | ECVG-5 | ETE-5 | ETG-5 | | | | | | | |
| | Model | | | | | | | | | | | | | |
| 1 | RRC2166-00 | X | X | X | X | X | X | X | X | X | X | | | |
| 1 | RRC3037-00 | | | | | | | | | | | X | X | |
| 1a | RRC1085-00 | X | X | X | X | X | X | X | X | X | X | | | |
| 2 | RRC2183-01 | X | X | X | X | X | X | X | X | X | X | | | |
| 2 | RRC2183-03 | | | | | | | | | | | X | X | |
| 2a | RRC2216-01 | X | X | X | X | X | X | X | X | X | X | | | |
| 3 | RRC2215-01 | X | X | X | X | X | X | X | X | X | X | | | |
| 3 | RRC2215-04 | | | | | | | | | | | X | X | |
| 4 | RRC2211-01 | X | X | X | X | X | X | X | X | X | X | X | X | |
| 4a | RRC2210-01 | X | X | X | X | X | X | X | X | X | X | X | X | |
| 5 | RRC2211-02 | X | X | X | X | X | X | X | X | X | X | X | X | |
| 5a | RRC2210-02 | X | X | X | X | X | X | X | X | X | X | X | X | |
| 6 | RRC2094-00 | X | X | X | X | X | X | X | X | X | X | | | |
| 6 | RRC3036-00 | | | | | | | | | | | X | X | |
| 7 | RRC2104-01 | X | X | X | X | X | X | X | X | X | X | X | X | |
| 7a | RRC2272-01 | X | X | X | X | X | X | X | X | X | X | X | X | |
| 8 | RRC2104-02 * | X | X | X | X | X | X | X | X | X | X | X | X | |
| 8a | RRC2272-02 | X | X | X | X | X | X | X | X | X | X | X | X | |
| 9 | RRC2104-03 | X | X | X | X | X | X | X | X | X | X | X | X | |
| 10 | RRC2036-00 | X | | X | | X | | X | | X | | | | |
| 10 | RRC3090-00 | | | X | | | | | | X | | X | | |
| 11 | RRC2030-00 | X | X | X | X | X | X | X | X | X | X | | | |
| 11 | RRC3068-00 | | | | | | | | | | | X | X | |
| 12 | RRC3069-00 | X | X | X | X | X | X | X | X | X | X | X | X | |
| 12a | RRC2035-00 | X | X | X | X | X | X | X | X | X | X | | | |
| 13 | RRC2027-00 | X | X | X | X | X | X | X | X | X | X | X | X | |
| 14 | RRC2900-00 | | X | | X | | X | | | | | | | |
| 14 | RRC2901-00 | X | | X | | X | | | | | | X | X | |
| 14 | RRC2902-00 | OPTIONAL | | OPTIONAL | | OPTIONAL | | X | X | X | X | | | |
| 14a | RRC2016-00 | | X | | X | | X | | | | | | | |
| 14a | RRC2015-00 | X | | X | | X | | | | | | X | X | |
| 14a | RRC2017-00 | OPTIONAL | | OPTIONAL | | OPTIONAL | | X | X | X | X | | | |
| 15 | RRC2032-00 | | X | | X | | X | | | | | | | |
| 16 | RRC2207-00 | X | X | X | X | X | X | X | X | X | X | X | X | |
| 17 | RRC1043-00 | X | X | X | X | X | X | X | X | X | X | X | X | |
| 18 | RRC2270-00 | X | X | X | X | X | X | X | X | X | X | X | X | |
| 18a | RRC1069-00 | X | X | X | X | X | X | X | X | X | X | | | |

* SOSPESO DALLA MTR.9703...(MAR 97) ALLA MTR.9709...(SET 97) E SOSTITUITO CON RRC2272-02 POS.8a