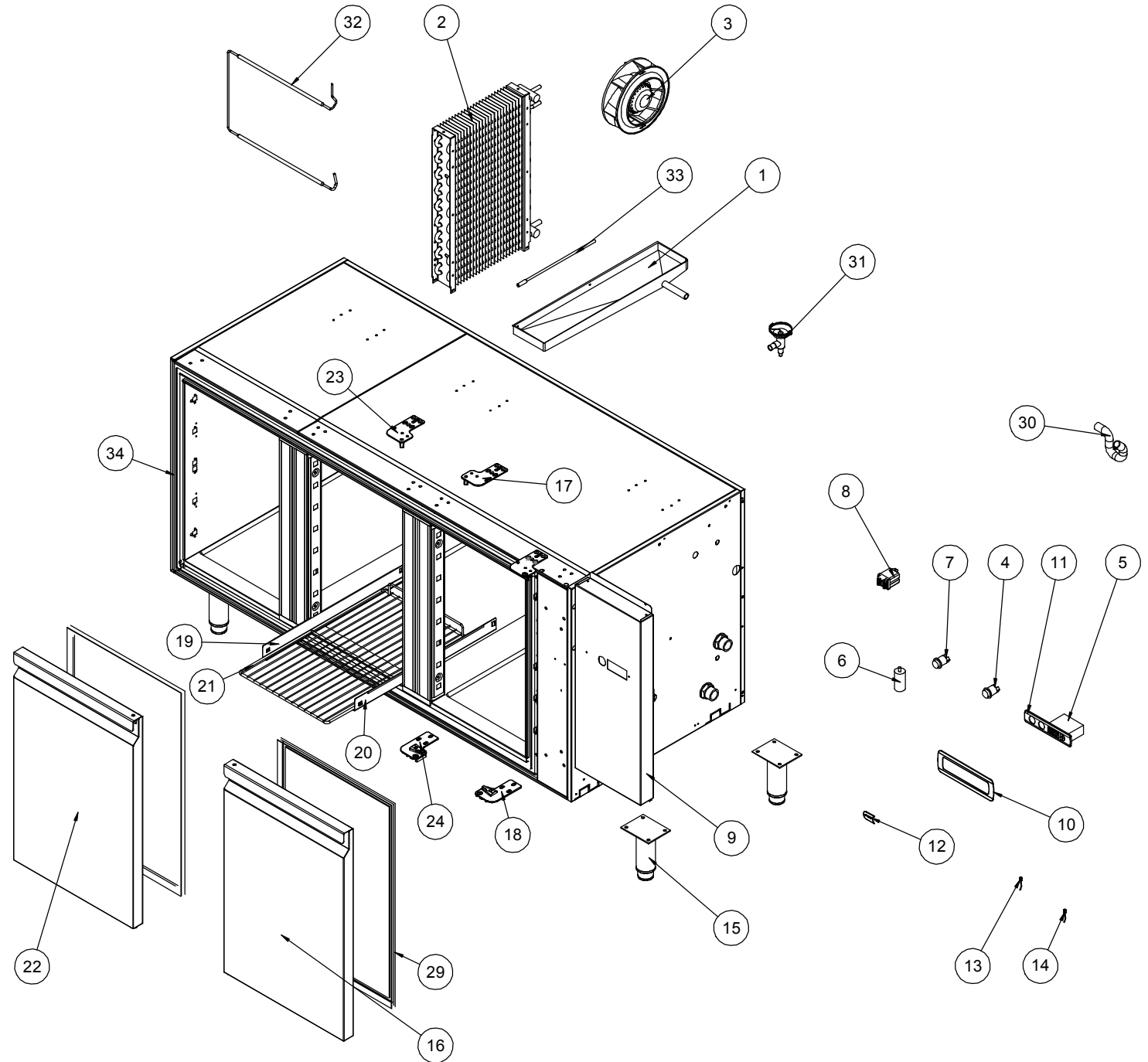


MODELS : TRPP2019-20-21



NR	COD	ITALIANO	ENGLISH	FRANCAIS	DEUTSCHE
1	30085	BACINELLA RACCOGLICONDENZA DX TAR PA VEN	Drip tray	Bac	kondens-Wasserbehälter
2	19619	EVAPORAT.1-2-3-4P VENT. T.REF.PAST.	EVAPORATOR	évaporateur	Verdampfer
3	30631	MOTOVENT. R2E190-AO26-66 230V 58W	Ventilator	Moteur	Ventilator
4	29583	INTER.A PULSANTE BIP.VERDE SP6018C1E0000	General switch	Interrupteur générales	Haupt-Schalter
5	31384	TELET.PJ32C00000 230/50 PLACCA NERA	Telethermostat	Telethermostat	Telethermostat
6	00544	CONDENSATORE 2 uF	Condenser4	Condenseur	Kondensator
8	26510	RELE' DI POTENZA FINDER 62.82 230V	Relays	Relais	Relais
9	33039	CRUSCOTTO DX TAR 2005 PRED.	Front panel	Panneau frontal	Front Blende
11	32957	MASCHERINA TAR 2005 ILSA	Front cover black	Couvre tableau	Abdeckung schwarz
13	29657	SONDA TEMPERATURA NTC 3 MT IP65	Temperature probe	Sonde de température	Temperaturfühler
14	20286	SONDA TEMP. NTC 1,5mt IP65	Temperature probe	Sonde de température	Temperaturfühler
15	31426	"PIEDINO REG. 1""1/4 H=140/190 C/PIASTRA"	Foot assembly	"Ens. pied 1""1/4"	"Set Stellfuß 1""1/4 H=140/190 TAR"
16	32889	PORTA DX TAR PA 2005	Door foam assembly	Ensemble porte	Verschäumtes Türset
17	32888	CERNIERA SUPERIORE SX TAR HIGH	Upper hinge	Charnière superieure	Oberes Scharnier links
18	32080	CERNIERA INF. SX TAR ECONOMICI	Lower left hinge assembly	Ensemble charniere inf.gouche	Set unteres Scharnier links
19	29089	GUIDA SX TAR PA L=583	LH SLIDE FOR REFRIGERATED COUNTER GN L=583	Glissière gauche tar PA L=583	Linke Führung TAR PA L=583
20	29090	GUIDA DX TAR PA L=583	RH SLIDE FOR REFRIGERATED COUNTER GN L=583	Glissière droite tar PA=583	Rechte Führung TAR PA L=583
22	32890	PORTA SX TAR PA 2005	Door foam assembly	Ensemble porte	Verschäumtes Türset
23	32887	CERNIERA SUPERIORE DX TAR HIGH	Upper hinge	Charnière superieure	Oberes Scharnier links
24	32081	CERNIERA INF. DX TAR ECONOMICI	Lower right hinge assembly	Ensemble charniere inf.droite	Set unteres Scharnier links
29	19098	GUARNIZIONE PORTA	Gasket	Joint	Dichtung
30	28710	Tubo scarico	Drain pipe	Tube déchargement eau	Ablaufrohr
31	19955	VALV. TERM. TUB R404a OR. 01 (068U2076)	Expansion valve	Valve d' expansion	Expansionsventil R404a
32	34952	RESISTENZA SBRINAMENTO	Resistance	Résistance	Heizstab
33	27590	RESISTENZA SCARICO L=3500 220V 50W (TAR-	Drain resistance	Résistance vidange	Abfluss-Heizstab
34	29404	RESISTENZA STIPITE 230V 20W L=3560	Door profil heated element	Resistance porte.	Thurrahmenheizstab