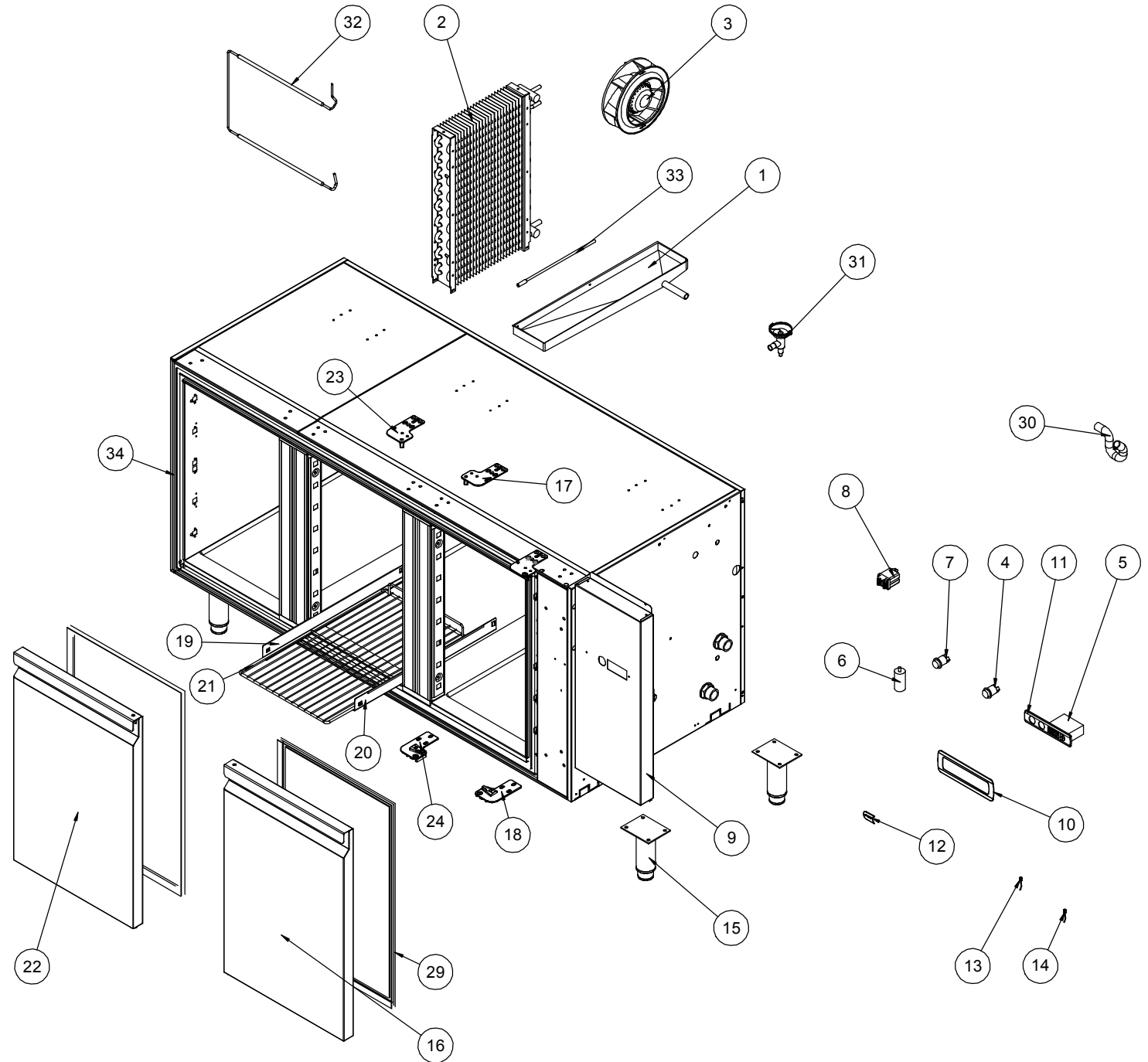


MODELS : TRPP2007-8-9



| NR | COD | ITALIANO | ENGLISH | FRANCAIS | DEUTSCHE |
|----|-------|---|----------------------------------|-------------------------------|-------------------------------------|
| 1 | 30085 | BACINELLA RACCOGLICONDENSA DX TAR PA VEN | Drip tray | Bac | kondens-Wasserbehälter |
| 2 | 19619 | EVAPORAT. 1-2-3-4P VENT. T.REF.PAST. | EVAPORATOR | évaporateur | Verdampfer |
| 3 | 30631 | MOTOVENT. R2E190-AO26-66 230V 58W | Ventilator | Moteur | Ventilator |
| 5 | 31384 | TELET.PJ32C00000 230/50 PLACCA NERA | Telethermostat | Teletermostat | Telethermostat |
| 6 | 00544 | CONDENSATORE 2 uF | Condenser4 | Condenseur | Kondensator |
| 7 | 29583 | INTER.A PULSANTE BIP.VERDE SP6018C1E0000 | General switch | Interrupteur générales | Haupt-Schalter |
| 8 | 26510 | RELE' DI POTENZA FINDER 62.82 230V | Relays | Relais | Relais |
| 9 | 33039 | CRUSCOTTO DX TAR 2005 PRED. | Front panel | Panneau frontal | Front Blende |
| 11 | 32811 | MASCHERINA TAR DUE PULSANTI NERA | Front cover black | Couvre tableau | Abdeckung schwarz |
| 13 | 29657 | SONDA TEMPERATURA NTC 3 MT IP65 | Temperature probe | Sonde de température | Temperaturfühler |
| 14 | 20286 | SONDA TEMP. NTC 1,5mt IP65 | Temperature probe | Sonde de température | Temperaturfühler |
| 15 | 31426 | "PIEDINO REG. 1""1/4 H=140/190 C/PIASTRA" | Foot assembly | "Ens. pied 1""1/4" | "Set Stellfuß 1""1/4 H=140/190 TAR" |
| 16 | 32889 | PORTA DX TAR PA 2005 | Door foam assembly | Ensemble porte | Verschäumtes Türset |
| 17 | 32888 | CERNIERA SUPERIORE SX TAR HIGH | Upper hinge | Charnière supérieure | Oberes Scharnier links |
| 19 | 29089 | GUIDA SX TAR PA L=583 | LH SLIDE FOR REFRIGERATED COUNTE | Glissière gauche tar PA L=583 | Linke Führung TAR PA L=583 |
| 20 | 29090 | GUIDA DX TAR PA L=583 | RH SLIDE FOR REFRIGERATED COUNTE | Glissière droite tar PA=583 | Rechte Führung TAR PA L=583 |
| 22 | 32890 | PORTA SX TAR PA 2005 | Door foam assembly | Ensemble porte | Verschäumtes Türset |
| 24 | 32080 | CERNIERA INF. SX TAR ECONOMICI | Lower left hinge assembly | Ensemble charniere inf.gouche | Set unteres Scharnier links |
| 31 | 19955 | VALV. TERM. TUB R404a OR. 01 (068U2076) | Expansion valve | Valve d' expansion | Expansionsventil R404a |
| 33 | 27591 | RESISTENZA SCARICO L=3000 220V 31W (TAR- | Drain resistance | Résistance vidange | Abfluss-Heizstab |