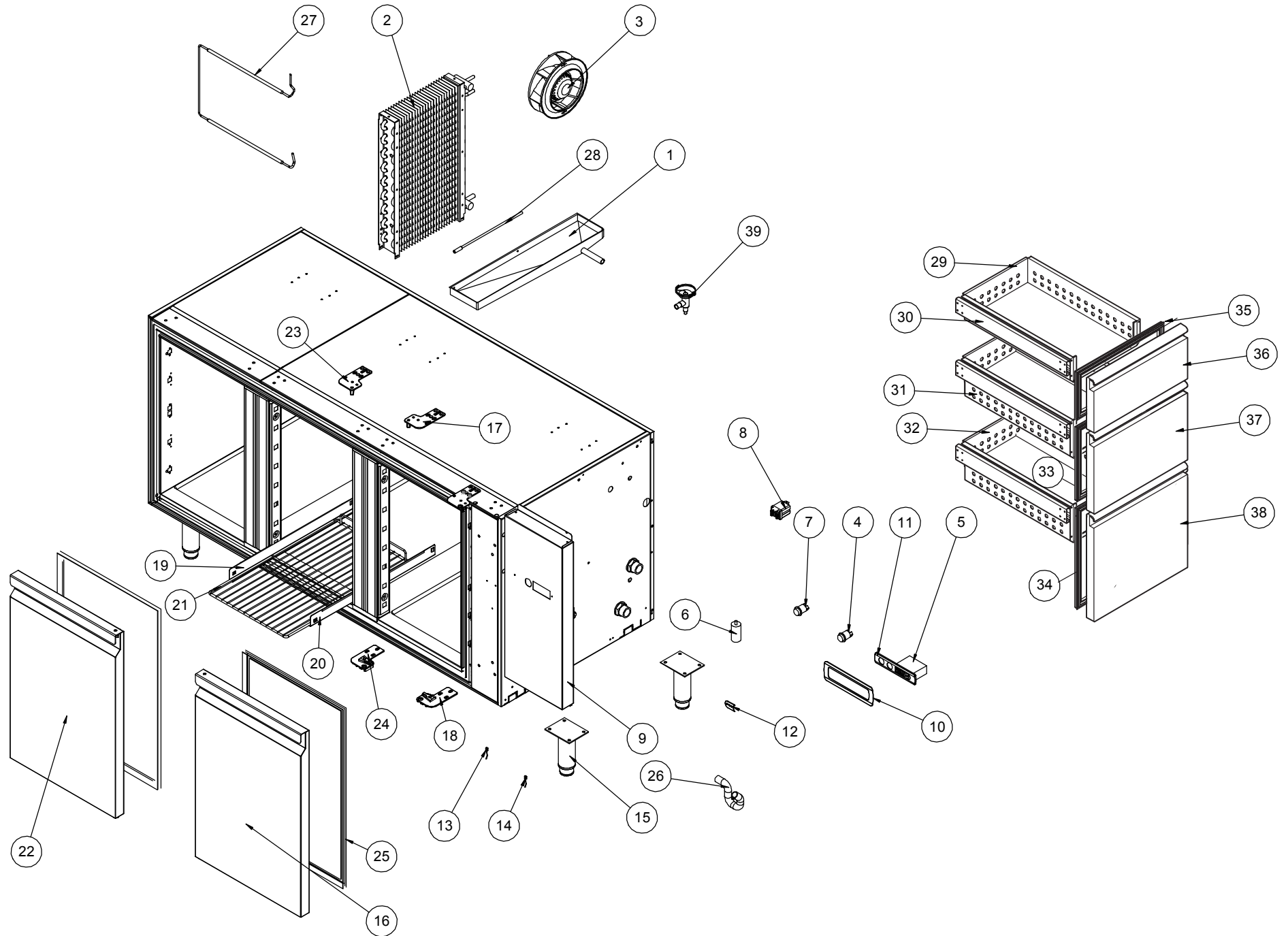


MODELS : TRPG2046-47-48



| NR | COD | ITALIANO | ENGLISH | FRANCAIS | DEUTSCHE |
|----|-------|---|--|----------------------------------|---|
| 1 | 29254 | BACINELLA RACCOGLICONDENSEA DX TAR GN VEN | Drip tray | Bac | kondens-Wasserbehälter |
| 2 | 19302 | EVAPORATORE 1-2-3-4P.VENT. T.REF.GN | EVAPORATOR | évaporateur | Verdampfer |
| 3 | 30631 | MOTOVENT. R2E190-AO26-66 230V 58W | Ventilator | Moteur | Ventilator |
| 4 | 29583 | INTER.A PULSANTE BIP.VERDE SP6018C1E0000 | General switch | Interrupteur générales | Haupt-Schalter |
| 6 | 00544 | CONDENSATORE 2 uF | Condenser4 | Condenseur | Kondensator |
| 9 | 33039 | CRUSCOTTO DX TAR 2005 PRED. | Front panel | Panneau frontal | Front Blende |
| 11 | 32957 | MASCHERINA TAR 2005 ILSA | Front cover black | Couvre tableau | Abdeckung schwarz |
| 13 | 29657 | SONDA TEMPERATURA NTC 3 MT IP65 | Temperature probe | Sonde de température | Temperaturfühler |
| 14 | 20286 | SONDA TEMP. NTC 1,5mt IP65 | Temperature probe | Sonde de température | Temperaturfühler |
| 15 | 31426 | "PIEDINO REG. 1""1/4 H=140/190 C/PIASTRA" | Foot assembly | "Ens. pied 1""1/4" | "Set Stellfuß 1""1/4 H=140/190 TAR" |
| 16 | 32855 | PORTA DX TAR GN HIGH | Counter right door | Porte droite tour refr. 2005 | Rechte Kuehltischtur |
| 17 | 32888 | CERNIERA SUPERIORE SX TAR HIGH | Upper hinge | Charnière superieure | Oberes Schamier links |
| 18 | 32080 | CERNIERA INF. SX TAR ECONOMICI | Lower left hinge assembly | Ensemble charniere inf.gouche | Set unteres Scharnier links |
| 19 | 29085 | GUIDA SX TAR GN L=513 | LH SLIDE FOR REFRIGERATED COUNTER GN L=513 | Glissière gauche tar GN L=513 | Linke Führung TAR GN L=514 |
| 20 | 29084 | GUIDA DX TAR GN L=513 | RH SLIDE FOR REFRIGERATED COUNTER GN L=513 | Glissière droite tar GN=513 | Rechte Führung TAR GN L=513 |
| 21 | 30723 | GRIGLIA PLASTIFICATA GN 1/1 530x325 | Plastic coated grid GN 1/1 530x325 | Grille plastifiée GN 1/1 530x325 | Kunststoffbeschichteter Gitter GN 1/1 530x325 |
| 22 | 32856 | PORTA SX TAR GN HIGH | Door foam assembly | Ensemble porte | Verschäumtes Türset |
| 23 | 32887 | CERNIERA SUPERIORE DX TAR HIGH | Upper right hinge | Charniere sup. droite | Oberes Schamier rechts |
| 24 | 32081 | CERNIERA INF. DX TAR ECONOMICI | Lower right hinge assembly | Ensemble charniere inf.droite | Set unteres Scharnier links |
| 25 | 19099 | GUARNIZIONE PORTA | Gasket | Joint | Dichtung |
| 26 | 28710 | Tube scarico | Drain pipe | Tube déchargement eau | Ablaufrohr |
| 27 | 34952 | RESISTENZA SBRINAMENTO | Resistance | Résistance | Heizstab |
| 28 | 27590 | RESISTENZA SCARICO L=3500 220V 50W (TAR- | Drain resistance | Résistance vidange | Abfluss-Heizstab |
| 29 | 29127 | Ass.involucro 1/3 | Frame 1/3 | Entoure tiroir 1/3 | Schubladehülle 1/3 |
| 30 | 29425 | Coppia guide telescopiche | Tlescopic slides | Glissiers télescopiques | Teleskopische Fuehrungen |
| 31 | 29128 | Ass.involucro 1/2 | Frame 1/2 | Entoure tiroir 1/2 | Schubladehülle 1/2 |
| 32 | 29128 | Ass.involucro 1/2 H 200 | Frame 1/2 H 200 | Entoure tiroir 1/2 H 200 | Schubladehülle 1/2 H 200 |
| 33 | 19100 | Guarnizione 1/2 | Drawer gasket 1/2 | Joint tiroir 1/2 | Schubladedichtung 1/2 |
| 34 | 19259 | Guarnizione 2/3 | Drawer gasket 2/3 | Joint tiroir 2/3 | Schubladedichtung 2/3 |
| 35 | 19827 | Guarnizione 1/3 | Drawer gasket 1/3 | Joint tiroir 1/3 | Schubladedichtung 1/3 |
| 36 | 32857 | Ass. cass. 1/3 | Drawer 1/3 | Tiroir 1/3 | Schublade 1/3 |
| 37 | 32858 | Ass. cass. 1/2 | Drawer 1/2 | Tiroir 1/2 | Schublade 1/2 |
| 38 | 32859 | Ass. cass. 2/3 | Drawer 2/3 | Tiror 2/3 | Schublade 2/3 |
| 39 | 19955 | VALV. TERM. TUB R404a OR. 01 (068U2076) | Expansion valve | Valve d' expansion | Expansionsventil R404a |