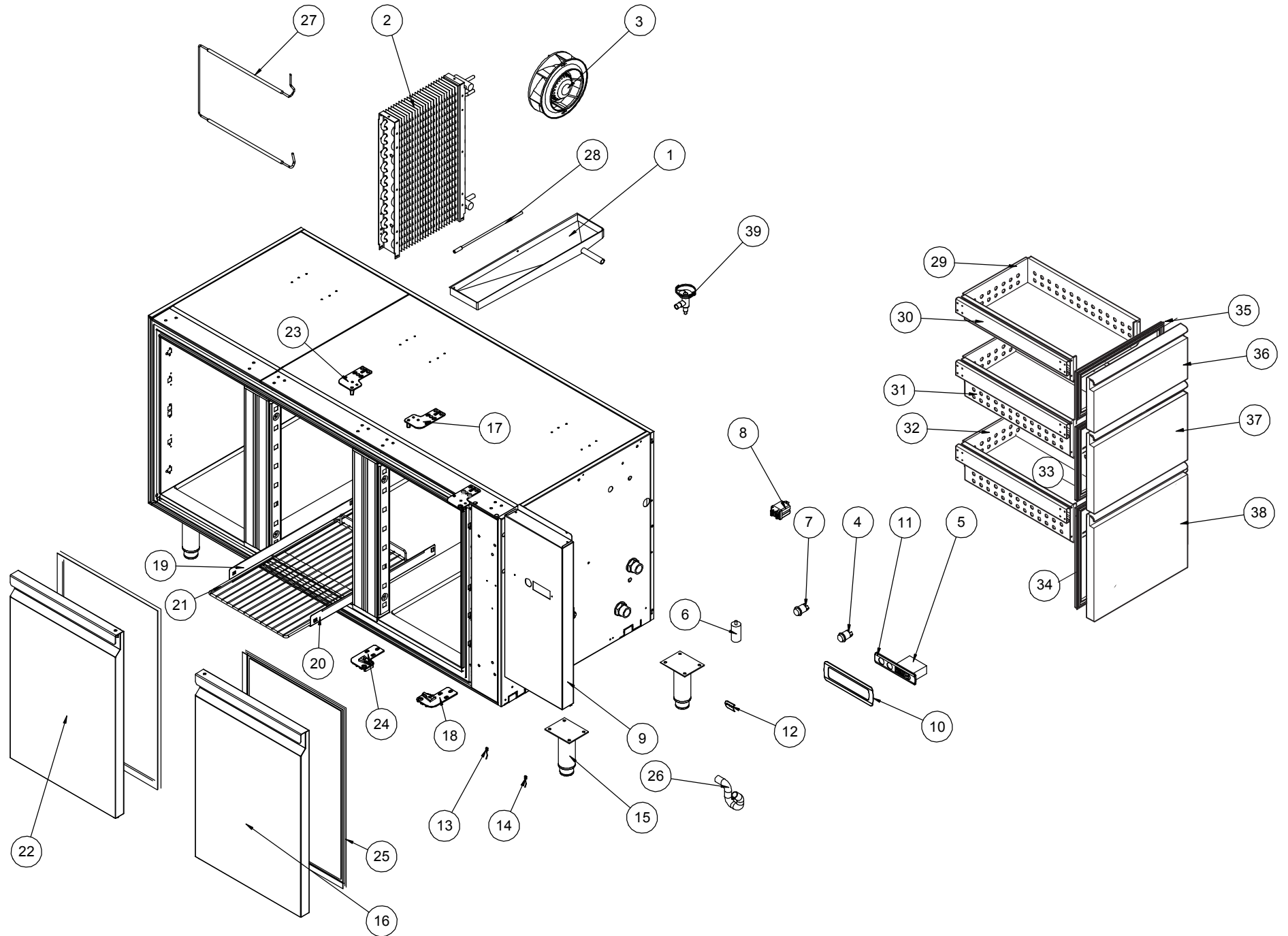


MODELS : TRPG2025-26-27



| NR | COD   | ITALIANO                                  | ENGLISH                                    | FRANCAIS                         | DEUTSCHE                                      |
|----|-------|---|--|----------------------------------|---|
| 1  | 29254 | BACINELLA RACCOGLICONDENSE DX TAR GN VEN  | Drip tray                                  | Bac                              | kondens-Wasserbehälter                        |
| 2  | 19302 | EVAPORATORE 1-2-3-4P.VENT. T.REF.GN       | EVAPORATOR                                 | évaporateur                      | Verdampfer                                    |
| 3  | 30631 | MOTOVENT. R2E190-AO26-66 230V 58W         | Ventilator                                 | Moteur                           | Ventilator                                    |
| 6  | 544   | CONDENSATORE 2 uF                         | Condenser4                                 | Condenseur                       | Kondensator                                   |
| 9  | 33039 | CRUSCOTTO DX TAR 2005 PRED.               | Front panel                                | Panneau frontal                  | Front Blende                                  |
| 11 | 32957 | MASCHERINA TAR 2005 ILSA                  | Front cover black                          | Couvre tableau                   | Abdeckung schwarz                             |
| 13 | 29657 | SONDA TEMPERATURA NTC 3 MT IP65           | Temperature probe                          | Sonde de température             | Temperaturfühler                              |
| 14 | 20286 | SONDA TEMP. NTC 1,5mt IP65                | Temperature probe                          | Sonde de température             | Temperaturfühler                              |
| 15 | 31426 | "PIEDINO REG. 1""1/4 H=140/190 C/PIASTRA" | Foot assembly                              | "Ens. pied 1""1/4"               | "Set Stellfuß 1""1/4 H=140/190 TAR"           |
| 16 | 32855 | PORTA DX TAR GN HIGH                      | Counter right door                         | Porte droite tour refr. 2005     | Rechte Kuehltischtur                          |
| 17 | 32888 | CERNIERA SUPERIORE SX TAR HIGH            | Upper hinge                                | Charnière superieure             | Oberes Scharnier links                        |
| 18 | 32080 | CERNIERA INF. SX TAR ECONOMICI            | Lower left hinge assembly                  | Ensemble charniere inf.gouche    | Set unteres Scharnier links                   |
| 19 | 29085 | GUIDA SX TAR GN L=513                     | LH SLIDE FOR REFRIGERATED COUNTER GN L=513 | Glissière gauche tar GN L=513    | Linke Führung TAR GN L=514                    |
| 20 | 29084 | GUIDA DX TAR GN L=513                     | RH SLIDE FOR REFRIGERATED COUNTER GN L=513 | Glissière droite tar GN=513      | Rechte Führung TAR GN L=513                   |
| 21 | 30723 | GRIGLIA PLASTIFICATA GN 1/1 530x325       | Plastic coated grid GN 1/1 530x325         | Grille plastifiée GN 1/1 530x325 | Kunststoffbeschichteter Gitter GN 1/1 530x325 |
| 22 | 32856 | PORTA SX TAR GN HIGH                      | Door foam assembly                         | Ensemble porte                   | Verschäumtes Türset                           |
| 23 | 32887 | CERNIERA SUPERIORE DX TAR HIGH            | Upper right hinge                          | Charniere sup. droite            | Oberes Scharnier rechts                       |
| 24 | 32081 | CERNIERA INF. DX TAR ECONOMICI            | Lower right hinge assembly                 | Ensemble charniere inf.droite    | Set unteres Scharnier links                   |
| 25 | 19099 | GUARNIZIONE PORTA                         | Gasket                                     | Joint                            | Dichtung                                      |
| 26 | 28710 | Tubo scarico                              | Drain pipe                                 | Tube déchargement eau            | Ablaufrohr                                    |
| 27 | 34952 | RESISTENZA SBRINAMENTO                    | Resistance                                 | Résistance                       | Heizstab                                      |
| 28 | 27590 | RESISTENZA SCARICO L=3500 220V 50W (TAR-  | Drain resistance                           | Résistance vidange               | Abfluss-Heizstab                              |
| 29 | 29127 | Ass.involucro 1/3                         | Frame 1/3                                  | Entoure tiroir 1/3               | Schubladehülle 1/3                            |
| 30 | 29425 | Coppia guide telescopiche                 | Tlescopic slides                           | Glissiers télescopiques          | Teleskopische Fuehrungen                      |
| 31 | 29128 | Ass.involucro 1/2                         | Frame 1/2                                  | Entoure tiroir 1/2               | Schubladehülle 1/2                            |
| 32 | 29128 | Ass.involucro 1/2 H 200                   | Frame 1/2 H 200                            | Entoure tirour 1/2 H 200         | Schubladehülle 1/2 H 200                      |
| 33 | 19100 | Guarnizione 1/2                           | Drawer gasket 1/2                          | Joint tiroir 1/2                 | Schubladedichtung 1/2                         |
| 34 | 19259 | Guarnizione 2/3                           | Drawer gasket 2/3                          | Joint tiroir 2/3                 | Schubladedichtung 2/3                         |
| 35 | 19827 | Guarnizione 1/3                           | Drawer gasket 1/3                          | Joint tiroir 1/3                 | Schubladedichtung 1/3                         |
| 36 | 32857 | Ass. cass. 1/3                            | Drawer 1/3                                 | Tiroir 1/3                       | Schublade 1/3                                 |
| 37 | 32858 | Ass. cass. 1/2                            | Drawer 1/2                                 | Tiroir 1/2                       | Schublade 1/2                                 |
| 38 | 32859 | Ass. cass. 2/3                            | Drawer 2/3                                 | Tiror 2/3                        | Schublade 2/3                                 |
| 39 | 19955 | VALV. TERM. TUB R404a OR. 01 (068U2076)   | Expansion valve                            | Valve d' expansion               | Expansionsventil R404a                        |