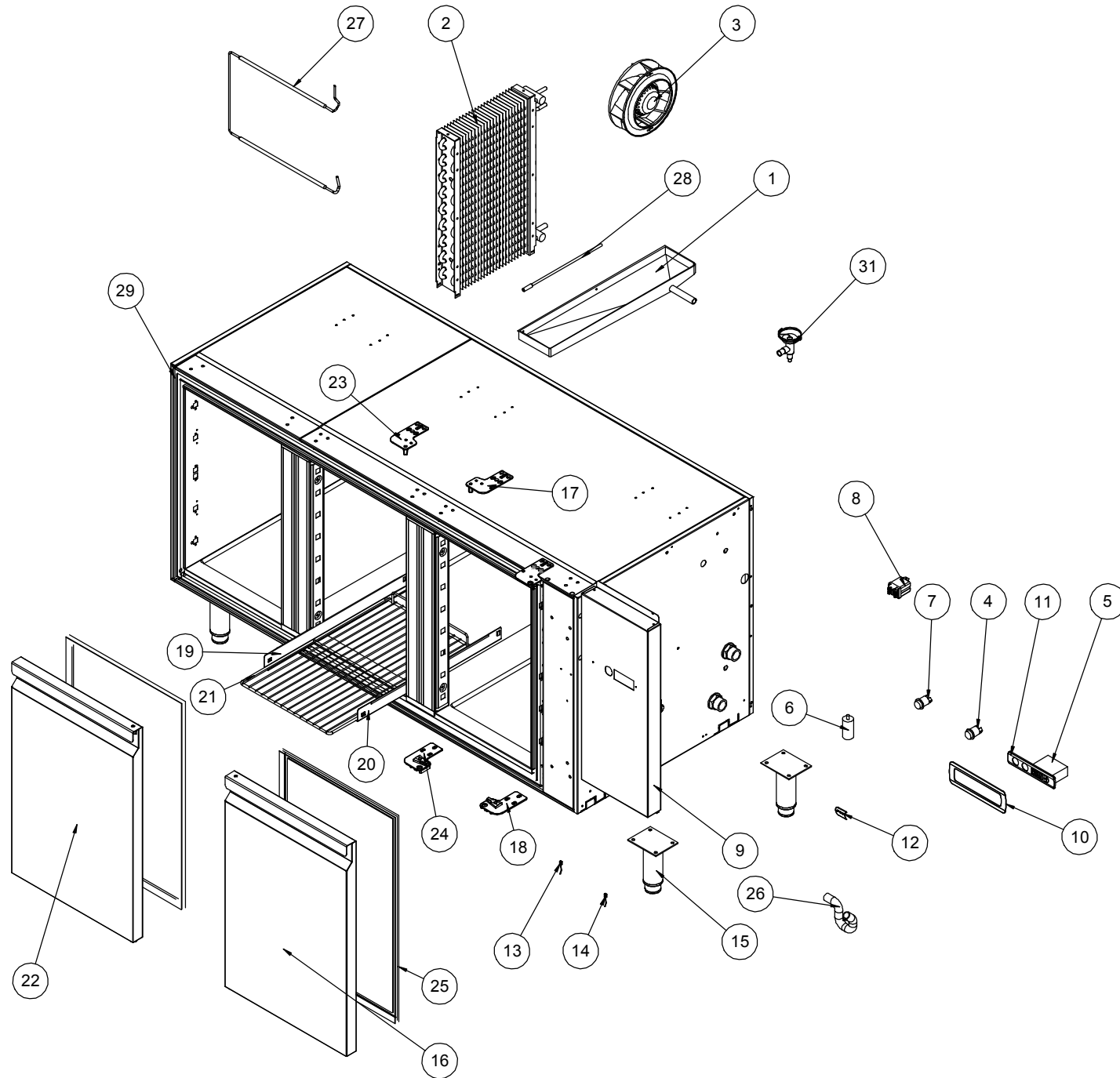


MODELS : TRPG2007-8-9



NR	COD	ITALIANO	ENGLISH	FRANCAIS	DEUTSCHE
1	29254	BACINELLA RACCOGLICONDENSA DX TAR GN VEN	Drip tray	Bac	kondens-Wasserbehälter
2	19302	EVAPORATORE 1-2-3-4P.VENT. T.REF.GN	EVAPORATOR	évaporateur	Verdampfer
3	30631	MOTOVENT. R2E190-AO26-66 230V 58W	Ventilator	Moteur	Ventilator
9	33039	CRUSCOTTO DX TAR 2005 PRED.	Front panel	Panneau frontal	Front Blende
11	32957	MASCHERINA TAR 2005 ILSA	Front cover black	Couvre tableau	Abdeckung schwarz
13	29657	SONDA TEMPERATURA NTC 3 MT IP65	Temperature probe	Sonde de température	Temperaturfühler
14	20286	SONDA TEMP. NTC 1,5mt IP65	Temperature probe	Sonde de température	Temperaturfühler
15	31426	"PIEDINO REG. 1""1/4 H=140/190 C/PIASTRA"	Foot assembly	"Ens. pied 1""1/4"	"Set Stellfuß 1""1/4 H=140/190 TAR"
16	32855	PORTA DX TAR GN HIGH	Counter right door	Porte droite tour refr. 2005	Rechte Kuehltischtur
17	32888	CERNIERA SUPERIORE SX TAR HIGH	Upper hinge	Charnière superieure	Oberes Scharnier links
18	32080	CERNIERA INF. SX TAR ECONOMICI	Lower left hinge assembly	Ensemble charniere inf.gouche	Set unteres Scharnier links
19	29085	GUIDA SX TAR GN L=513	LH SLIDE FOR REFRIGERATED COUNTER GN L=513	Glissière gauche tar GN L=513	Linke Führung TAR GN L=514
20	29084	GUIDA DX TAR GN L=513	RH SLIDE FOR REFRIGERATED COUNTER GN L=513	Glissière droite tar GN=513	Rechte Führung TAR GN L=513
21	30723	GRIGLIA PLASTIFICATA GN 1/1 530x325	Plastic coated grid GN 1/1 530x325	Grille plastifiée GN 1/1 530x325	Kunststoffbeschichteter Gitter GN 1/1 530x325
22	32856	PORTA SX TAR GN HIGH	Door foam assembly	Ensemble porte	Verschäumtes Türset
23	32887	CERNIERA SUPERIORE DX TAR HIGH	Upper right hinge	Charniere sup. droite	Oberes Scharnier rechts
24	32081	CERNIERA INF. DX TAR ECONOMICI	Lower right hinge assembly	Ensemble charniere inf.droite	Set unteres Scharnier links
25	19099	GUARNIZIONE PORTA	Gasket	Joint	Dichtung
26	28710	Tubo scarico	Drain pipe	Tube déchargement eau	Ablaufrohr
27	34952	RESISTENZA SBRINAMENTO	Resistance	Résistance	Heizstab
28	27590	RESISTENZA SCARICO L=3500 220V 50W (TAR-	Drain resistance	Résistance vidange	Abfluss-Heizstab
29	29408	RESISTENZA STIPITE 230V 19W L=3410	Door profil heated element	Resistance porte.	Thurrahmenheizstab
31	19955	VALV. TERM. TUB R404a OR. 01 (068U2076)	Expansion valve	Valve d' expansion	Expansionsventil R404a