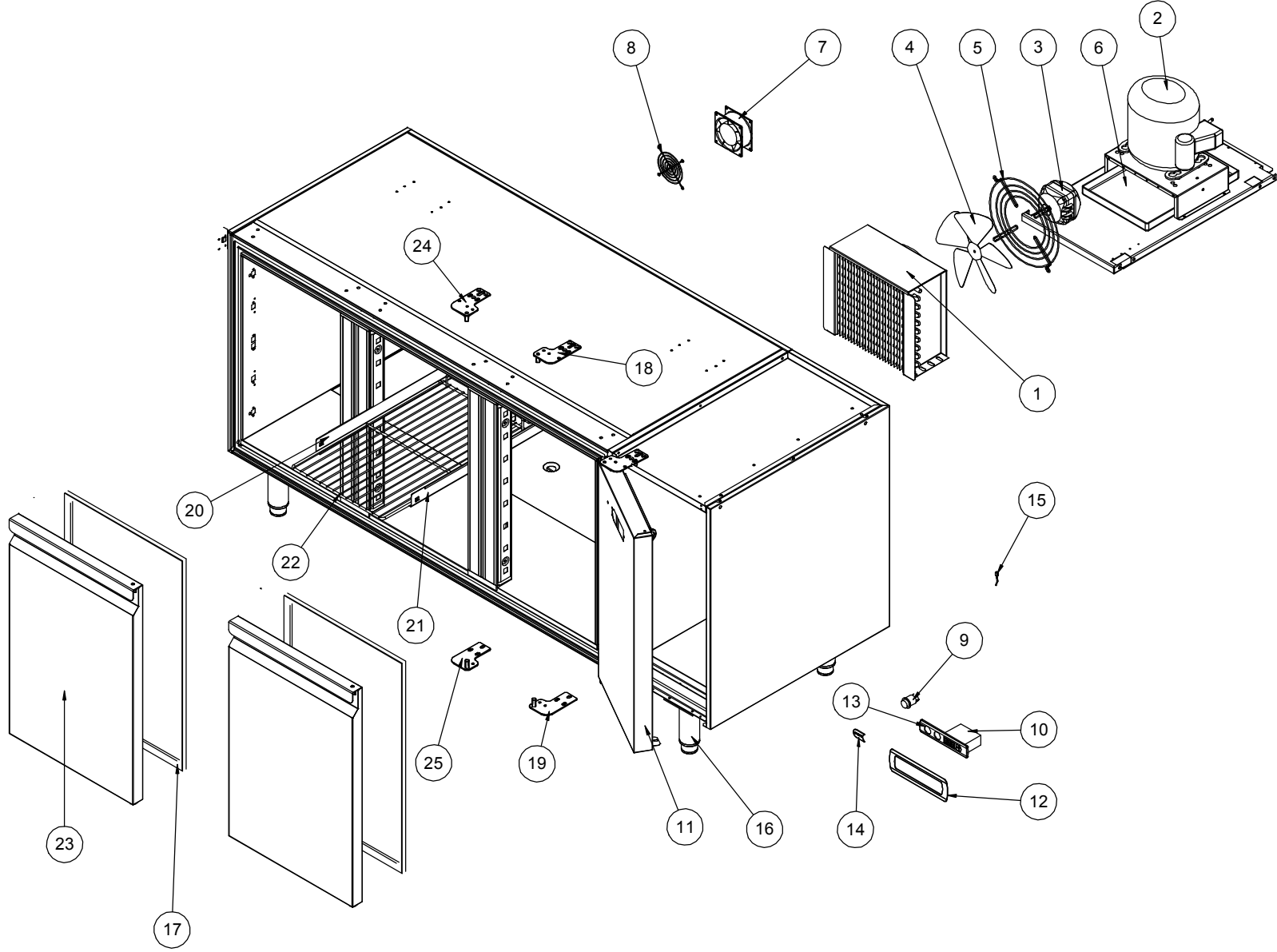


MODELS : TRMP3025-6-7



NR	COD	ITALIANO	ENGLISH	FRANCAIS	DEUTSCHE
1	29262	"CONDENSATORE 10T 240A 2R P3.6 TUBI 3/8""	Condenser	Condenseur	Kondensator
2	29417	COMPRESSORE ELECTROLUX ML40TB 220-240V 5	Condenser	Condenseur	Kondensator
3	28673	MOTOV.230V 50/60HZ 10W M4Q045-CA03-A4 CA	Ventilator	Moteur	Ventilator
4	18640	VENTOLA VA D.230-28 A 73811-2-3634	Fan	Hélice	Ventil
5	18644	GRIGLIA D.230 50970-2-4039 ZIEL	Fan protection grid	Grille de protection	Schutzgitter
6	29036	BACINELLA EVAPORACONDENSA TAR	Drip tray	Egouttoir	Kondenswasser-Behälter
7	33459	VENTILATORE TAR ST (AS9225BR1TY)	Ventilator	Moteur	Ventilator
8	32231	GRIGLIA VENTIL. 036.ASAC.0092	Fan protection grid	Grille de protection	Schutzgitter
9	29583	INTER.A PULSANTE BIP.VERDE SP6018C1E0000	General switch	Interrupteur générales	Haupt-Schalter
10	33100	TELET.PJ32S00000 230/50 PLACCA NERA	Telethermostat	Teletermostat	Telethermostat
11	32998	CRUSCOTTO DX TAR 2005 MOT. ILSA	Front panel	Panneau frontal	Front Blende Schrank
13	32957	MASCHERINA TAR 2005 ILSA	Front cover black	Couvre tableau	Abdeckung schwarz
15	20286	SONDA TEMP. NTC 1,5mt IP65	Temperature probe	Sonde de température	Temperaturfühler
16	31426	"PIEDINO REG. 1""1/4 H=140/190 C/PIASTRA"	Foot assembly	"Ens. pied 1""1/4"	"Set Stellfuß 1""1/4 H=140/190 TAR"
17	19098	GUARNIZIONE PORTA	Gasket	Joint	Dichtung
18	32888	CERNIERA SUPERIORE SX TAR HIGH	Upper hinge	Charnière supérieure	Oberes Scharnier links
19	32080	CERNIERA INF. SX TAR ECONOMICI	Lower left hinge assembly	Ensemble charniere inf.gouche	Set unteres Scharnier links
20	29089	GUIDA SX TAR PA L=583	LH SLIDE FOR REFRIGERATED COUNTER GN L=583	Glissière gauche tar PA L=583	Linke Führung TAR PA L=583
21	29090	GUIDA DX TAR PA L=583	RH SLIDE FOR REFRIGERATED COUNTER GN L=583	Glissière droite tar PA=583	Rechte Führung TAR PA L=583
23	32890	PORTA SX TAR PA 2005	Door foam assembly	Ensemble porte	Verschäumtes Türset
24	30344	CERNIERA SUP. DX. ARMADI	Upper Right hinge	Charnière sup. droite armoire	Rechtes oberes Scharnier Schränke