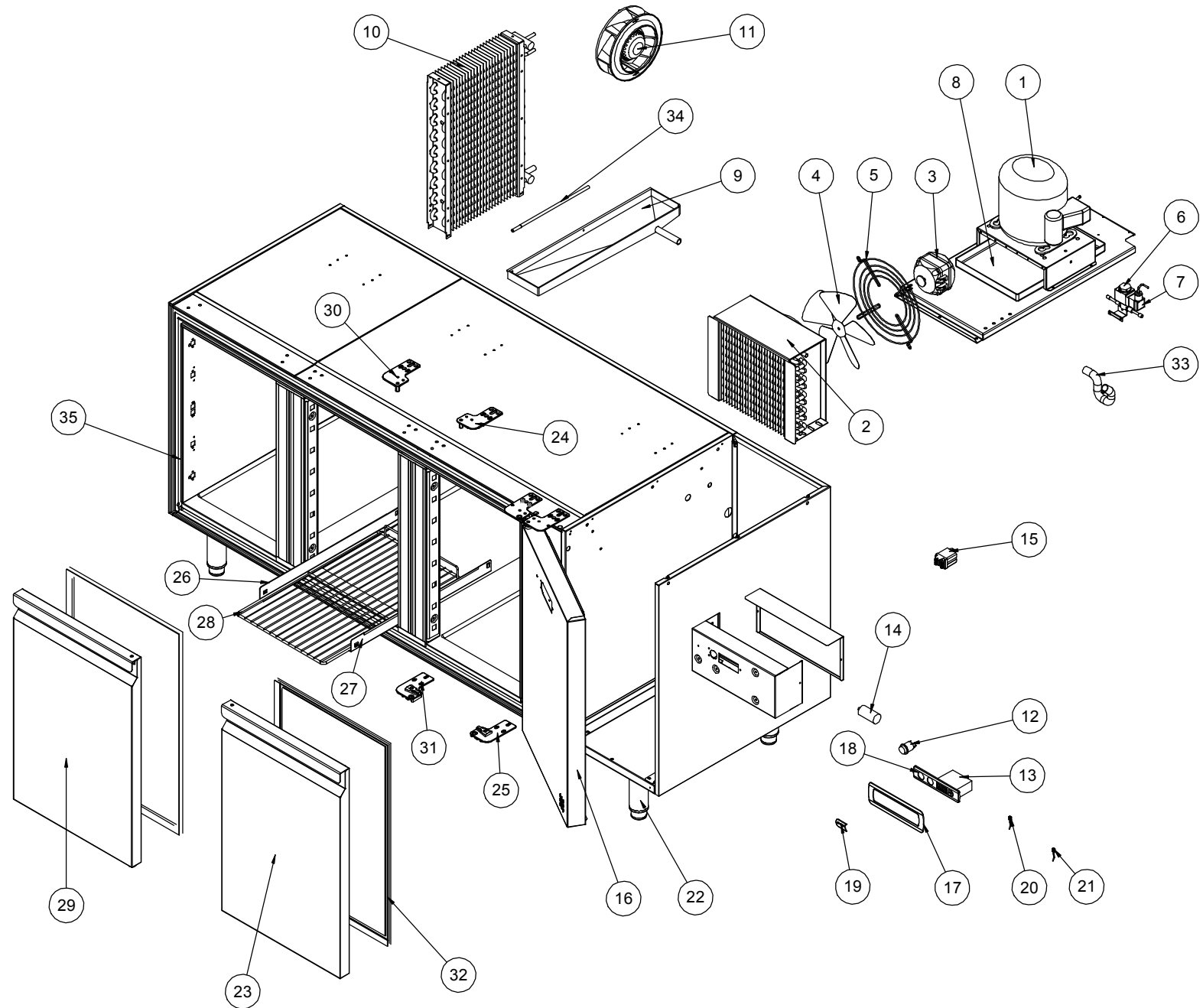


MODELS : TRMP2013-4-5



| NR | COD   | ITALIANO                                  | ENGLISH                                    | FRANCAIS                      | DEUTSCHE                            |
|----|-------|---|--|-------------------------------|-------------------------------------|
| 1  | 29339 | COMPRESSORE ACC MP12FB 220-240V 50 Hz     | Compressor                                 | Compresseur                   | Kompressor                          |
| 2  | 29263 | "CONDENSATORE 10T 240A 3R P3.6 TUBI 3/8"" | Condenser                                  | Condenseur                    | Kondensator                         |
| 3  | 28674 | MOTOV.230V 50/60HZ 16W M4Q045-CF01-A4 CA  | Ventilator                                 | Moteur                        | Ventilator                          |
| 4  | 18640 | VENTOLA VA D.230-28 A 73811-2-3634        | Fan  | Hélice                        | Ventil                              |
| 5  | 18644 | GRIGLIA D.230 50970-2-4039 ZIEL           | Fan protection grid                        | Grille de protection          | Schutzgitter                        |
| 6  | 32347 | VALV.SOLENOIDE 1/4 220V 50Hz (1028/2SE)   | Solenoid valve                             | Valve solenoide               | Solenoidventil                      |
| 7  | 32348 | BOBINA HM2 220/239 A.C.50/60Hz(9100/RA6)  | Coil solenoid valve                        | Bobine valve solenoide        | Solenoidventilspule                 |
| 8  | 29036 | BACINELLA EVAPORACONDENSA TAR             | Drip tray                                  | Egouttoir                     | Kondenswasser-Behälter              |
| 9  | 30085 | BACINELLA RACCOGLICONDENSA DX TAR PA VEN  | Drip tray                                  | Bac                           | kondens-Wasserbehälter              |
| 10 | 19619 | EVAPORAT.1-2-3-4P VENT. T.REF.PAST.       | EVAPORATOR                                 | évaporateur                   | Verdampfer                          |
| 11 | 30631 | MOTOVENT. R2E190-AO26-66 230V 58W         | Ventilator                                 | Moteur                        | Ventilator                          |
| 12 | 29583 | INTER.A PULSANTE BIP.VERDE SP6018C1E0000  | General switch                             | Interrupteur générales        | Haupt-Schalter                      |
| 13 | 31384 | TELET.PJ32C000000 230/50 PLACCA NERA      | Telethermostat                             | Teletermostat                 | Telethermostat                      |
| 14 | 00544 | CONDENSATORE 2 uF                         | Condenser4                                 | Condenseur                    | Kondensator                         |
| 16 | 32998 | CRUSCOTTO DX TAR 2005 MOT. ILSA           | Front panel                                | Panneau frontal               | Front Blende Schrank                |
| 18 | 32957 | MASCHERINA TAR 2005 ILSA                  | Front cover black                          | Couvre tableau                | Abdeckung schwarz                   |
| 20 | 29657 | SONDA TEMPERATURA NTC 3 MT IP65           | Temperature probe                          | Sonde de température          | Temperaturfühler                    |
| 21 | 20286 | SONDA TEMP. NTC 1,5mt IP65                | Temperature probe                          | Sonde de température          | Temperaturfühler                    |
| 22 | 31426 | "PIEDINO REG. 1""1/4 H=140/190 C/PIASTRA" | Foot assembly                              | "Ens. pied 1""1/4"            | "Set Stellfuß 1""1/4 H=140/190 TAR" |
| 24 | 32888 | CERNIERA SUPERIORE SX TAR HIGH            | Upper hinge                                | Charnière superieure          | Oberes Scharnier links              |
| 25 | 32080 | CERNIERA INF. SX TAR ECONOMICI            | Lower left hinge assembly                  | Ensemble charniere inf.gouche | Set unteres Scharnier links         |
| 26 | 29089 | GUIDA SX TAR PA L=583                     | LH SLIDE FOR REFRIGERATED COUNTER GN L=583 | Glissière gauche tar PA L=583 | Linke Führung TAR PA L=583          |
| 27 | 29090 | GUIDA DX TAR PA L=583                     | RH SLIDE FOR REFRIGERATED COUNTER GN L=583 | Glissière droite tar PA=583   | Rechte Führung TAR PA L=583         |
| 29 | 32890 | PORTA SX TAR PA 2005                      | Door foam assembly                         | Ensemble porte                | Verschäumtes Türset                 |
| 32 | 19098 | GUARNIZIONE PORTA                         | Gasket                                     | Joint                         | Dichtung                            |
| 32 | 28710 | Tube scarico                              | Drain pipe                                 | Tube déchargement eau         | Ablaufrohr                          |
| 34 | 27590 | RESISTENZA SCARICO L=3500 220V 50W (TAR-  | Drain resistance                           | Résistance vidange            | Abfluss-Heizstab                    |
| 35 | 29404 | RESISTENZA STIPITE 230V 20W L=3560        | Door profil heated element                 | Resistance porte.             | Thurrahmenheizstab                  |