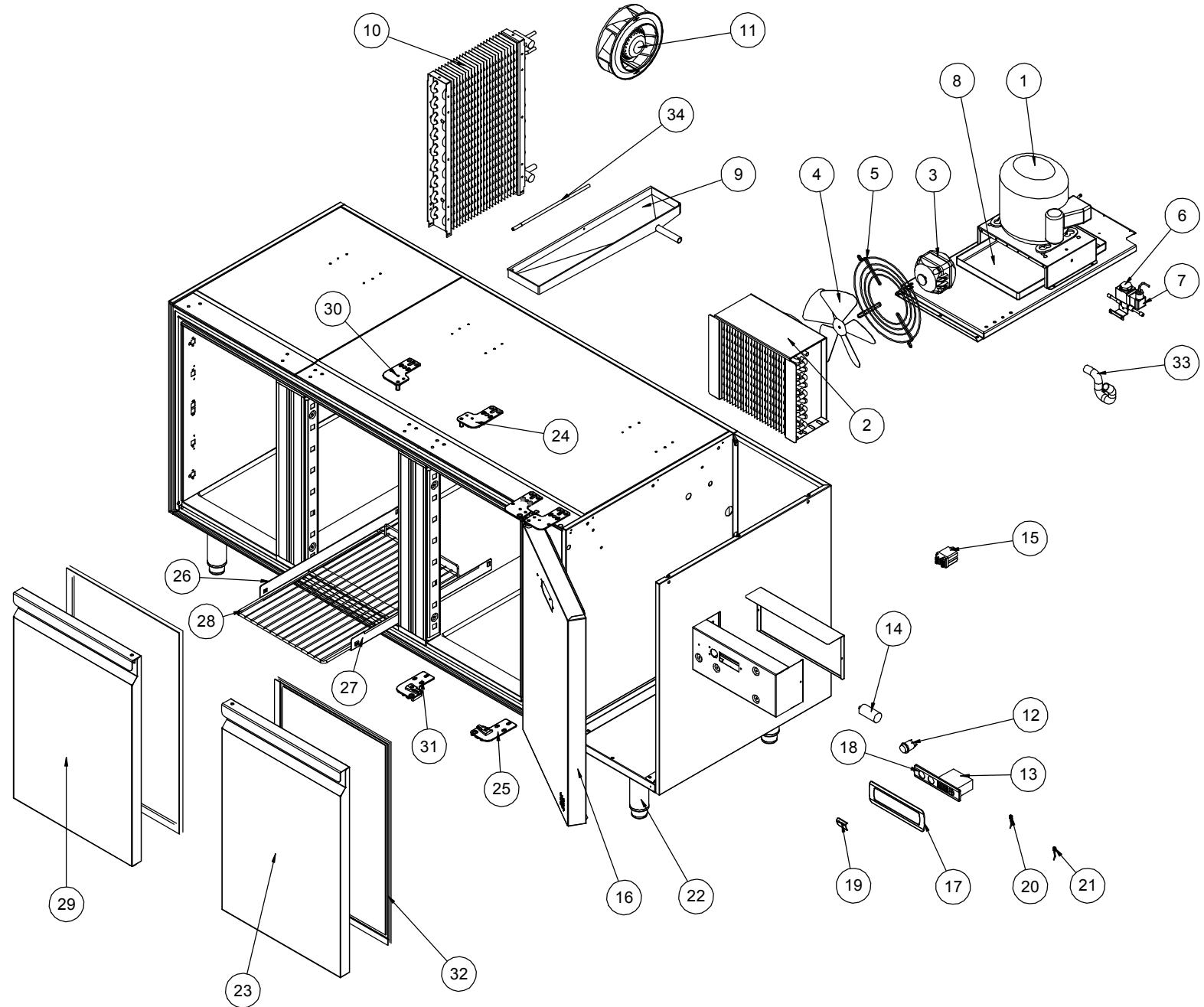


MODELS : TRMP2001-2-3



NR	COD	ITALIANO	ENGLISH	FRANCAIS	DEUTSCHE
1	28931	COMPRESSORE ACC ML60TB 220-240V 50 Hz	Compressor	Compresseur	Kompressor
2	29263	"CONDENSATORE 10T 240A 3R P3.6 TUBI 3/8""	Condenser	Condenseur	Kondensator
3	28674	MOTOV.230V 50/60HZ 16W M4Q045-CF01-A4 CA	Ventilator	Moteur	Ventilator
4	18640	VENTOLA VA D.230-28 A 73811-2-3634	Fan	Hélice	Ventil
5	18644	GRIGLIA D.230 50970-2-4039 ZIEL	Fan protection grid	Grille de protection	Schutzgitter
6	32347	VALV.SOLENOIDE 1/4 220V 50Hz (1028/2SE)	Solenoid valve	Valve solenoide	Solenoidventil
7	32348	BOBINA HM2 220/239 A.C.50/60Hz(9100/RA6)	Coil solenoid valve	Bobine valve solenoide	Solenoidventilspule
8	29036	BACINELLA EVAPORACONDENSA TAR	Drip tray	Egouttoir	Kondenswasser-Behälter
9	30085	BACINELLA RACCOGLICONDENSA DX TAR PA VEN	Drip tray	Bac	kondens-Wasserbehälter
10	19619	EVAPORAT.1-2-3-4P VENT. T.REF.PAST.	EVAPORATOR	évaporateur	Verdampfer
11	30631	MOTOVENT. R2E190-AO26-66 230V 58W	Ventilator	Moteur	Ventilator
12	29583	INTER.A PULSANTE BIP.VERDE SP6018C1E0000	General switch	Interrupteur générales	Haupt-Schalter
13	31384	TELET.PJ32C00000 230/50 PLACCA NERA	Telethermostat	Teletermostat	Telethermostat
14	00544	CONDENSATORE 2 uF	Condenser4	Condenseur	Kondensator
15	26510	RELE' DI POTENZA FINDER 62.82 230V	Relays	Relais	Relais
16	32998	CRUSCOTTO DX TAR 2005 MOT. ILSA	Front panel	Panneau frontal	Front Blende Schrank
18	32957	MASCHERINA TAR 2005 ILSA	Front cover black	Couvre tableau	Abdeckung schwarz
20	29657	SONDA TEMPERATURA NTC 3 MT IP65	Temperature probe	Sonde de température	Temperaturfühler
21	20286	SONDA TEMP. NTC 1,5mt IP65	Temperature probe	Sonde de température	Temperaturfühler
22	31426	"PIEDINO REG. 1""1/4 H=140/190 C/PIASTRA"	Foot assembly	"Ens. pied 1""1/4"	"Set Stellfuß 1""1/4 H=140/190 TAR"
24	32888	CERNIERA SUPERIORE SX TAR HIGH	Upper hinge	Charnière superieure	Oberes Scharnier links
25	32080	CERNIERA INF. SX TAR ECONOMICI	Lower left hinge assembly	Ensemble charniere inf.gouche	Set unteres Scharnier links
26	29089	GUIDA SX TAR PA L=583	LH SLIDE FOR REFRIGERATED COUNTER GN L=583	Glissière gauche tar PA L=583	Linke Führung TAR PA L=583
27	29090	GUIDA DX TAR PA L=583	RH SLIDE FOR REFRIGERATED COUNTER GN L=583	Glissière droite tar PA=583	Rechte Führung TAR PA L=583
29	32890	PORTA SX TAR PA 2005	Door foam assembly	Ensemble porte	Verschäumtes Türset
32	19098	GUARNIZIONE PORTA	Gasket	Joint	Dichtung
33	28710	Tubo scarico	Drain pipe	Tube déchargement eau	Ablaufrohr
34	27591	RESISTENZA SCARICO L=3000 220V 31W (TAR-	Drain resistance	Résistance vidange	Abfluss-Heizstab