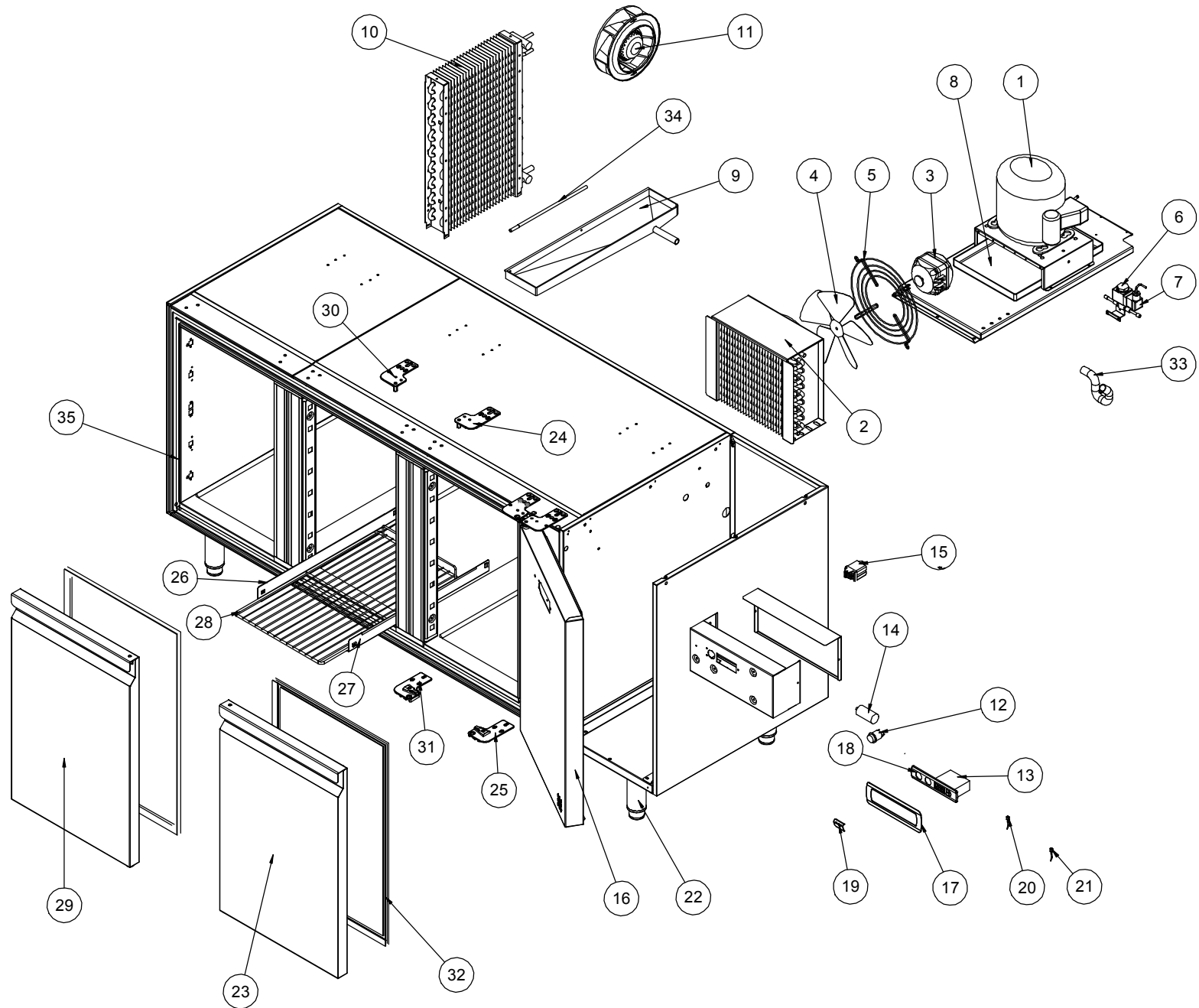


MODELS : TMMG2016-17-18



NR	COD	ITALIANO	ENGLISH	FRANCAIS	DEUTSCHE
1	32712	COMPRESSORE ACC MX18FB 230 V 50Hz	Compressor	Compresseur	Kompressor
2	29264	"CONDENSATORE 10T 240A 4R P3.6 TUBI 3/8""	Condenser	Condenseur	Kondensator
3	28674	MOTOV.230V 50/60HZ 16W M4Q045-CF01-A4 CA	Ventilator	Moteur	Ventilator
4	18640	VENTOLA VA D.230-28 A 73811-2-3634	Fan	Hélice	Ventil
5	18644	GRIGLIA D.230 50970-2-4039 ZIEL	Fan protection grid	Grille de protection	Schutzgitter
6	32347	VALV.SOLENOIDE 1/4 220V 50Hz (1028/2SE)	Solenoid valve	Valve solenoide	Solenoidventil
7	32348	BOBINA HM2 220/239 A.C.50/60Hz(9100/RA6)	Coil solenoid valve	Bobine valve solenoide	Solenoidventilspule
8	29036	BACINELLA EVAPORACONDENSA TAR	Drip tray	Egouttoir	Kondenswasser-Behälter
9	29254	BACINELLA RACCOGLICONDENSA DX TAR GN VEN	Drip tray	Bac	kondens-Wasserbehaelter
10	19302	EVAPORATORE 1-2-3-4P.VENT. T.REF.GN	EVAPORATOR	évaporateur	Verdampfer
11	30631	MOTOVENT. R2E190-AO26-66 230V 58W	Ventilator	Moteur	Ventilator
12	29583	INTER.A PULSANTE BIP.VERDE SP6018C1E0000	General switch	Interrupteur générales	Haupt-Schalter
13	31384	TELET.PJ32C00000 230/50 PLACCA NERA	Telethermostat	Telethermostat	Telethermostat
14	00544	CONDENSATORE 2 uF	Condenser4	Condenseur	Kondensator
16	32998	CRUSCOTTO DX TAR 2005 MOT. ILSA	Front panel	Panneau frontal	Front Blende Schrank
18	32810	MASCHERINA TAR NERA	Front cover black	Couvre tableau	Abdeckung schwarz
20	29657	SONDA TEMPERATURA NTC 3 MT IP65	Temperature probe	Sonde de température	Temperaturfühler
21	20286	SONDA TEMP. NTC 1,5mt IP65	Temperature probe	Sonde de température	Temperaturfühler
22	31426	"PIEDINO REG. 1""1/4 H=140/190 C/PIASTRA"	Foot assembly	"Ens. pied 1""1/4"	"Set Stellfuß 1""1/4 H=140/190 TAR"
23	32833	PORTA DX TAR GN MEDIO	Counter right door	Porte droite tour refr. 2005	Rechte Kuehltischtur
24	32888	CERNIERA SUPERIORE SX TAR HIGH	Upper hinge	Charnière superieure	Oberes Scharnier links
25	32080	CERNIERA INF. SX TAR ECONOMICI	Lower left hinge assembly	Ensemble charniere inf.gouche	Set unteres Scharnier links
26	29085	GUIDA SX TAR GN L=513	LH SLIDE FOR REFRIGERATED COUNTER GN L=513	Glissière gauche tar GN L=513	Linke Führung TAR GN L=514
27	29084	GUIDA DX TAR GN L=513	RH SLIDE FOR REFRIGERATED COUNTER GN L=513	Glissière droite tar GN=513	Rechte Führung TAR GN L=513
28	30723	GRIGLIA PLASTIFICATA GN 1/1 530x325	Plastic coated grid GN 1/1 530x325	Grille plastifiée GN 1/1 530x325	Kunststoffbeschichteter Gitter GN 1/1 530x325
29	32829	PORTA SX TAR GN MEDIO	LH DOOR FOR REFRIGERATED COUNTER	Porte gauche tar gn	Linke Tür TAR GN
30	32887	CERNIERA SUPERIORE DX TAR HIGH	Upper right hinge	Charniere sup. droite	Oberes Scharnier rechts
31	32081	CERNIERA INF. DX TAR ECONOMICI	Lower right hinge assembly	Ensemble charniere inf.droite	Set unteres Scharnier links
32	19099	Guarnizione	Gasket	Joint	Dichtung
33	28710	Tube scarico	Drain pipe	Tube déchrgement eau	Ablaufrohr
34	27590	RESISTENZA SCARICO L=3500 220V 50W (TAR-	Drain resistance	Résistance vidange	Abfluss-Heizstab
35	29408	RESISTENZA STIPITE 230V 19W L=3410	Door profil heated element	Resistance porte.	Thurrahmenheizstab