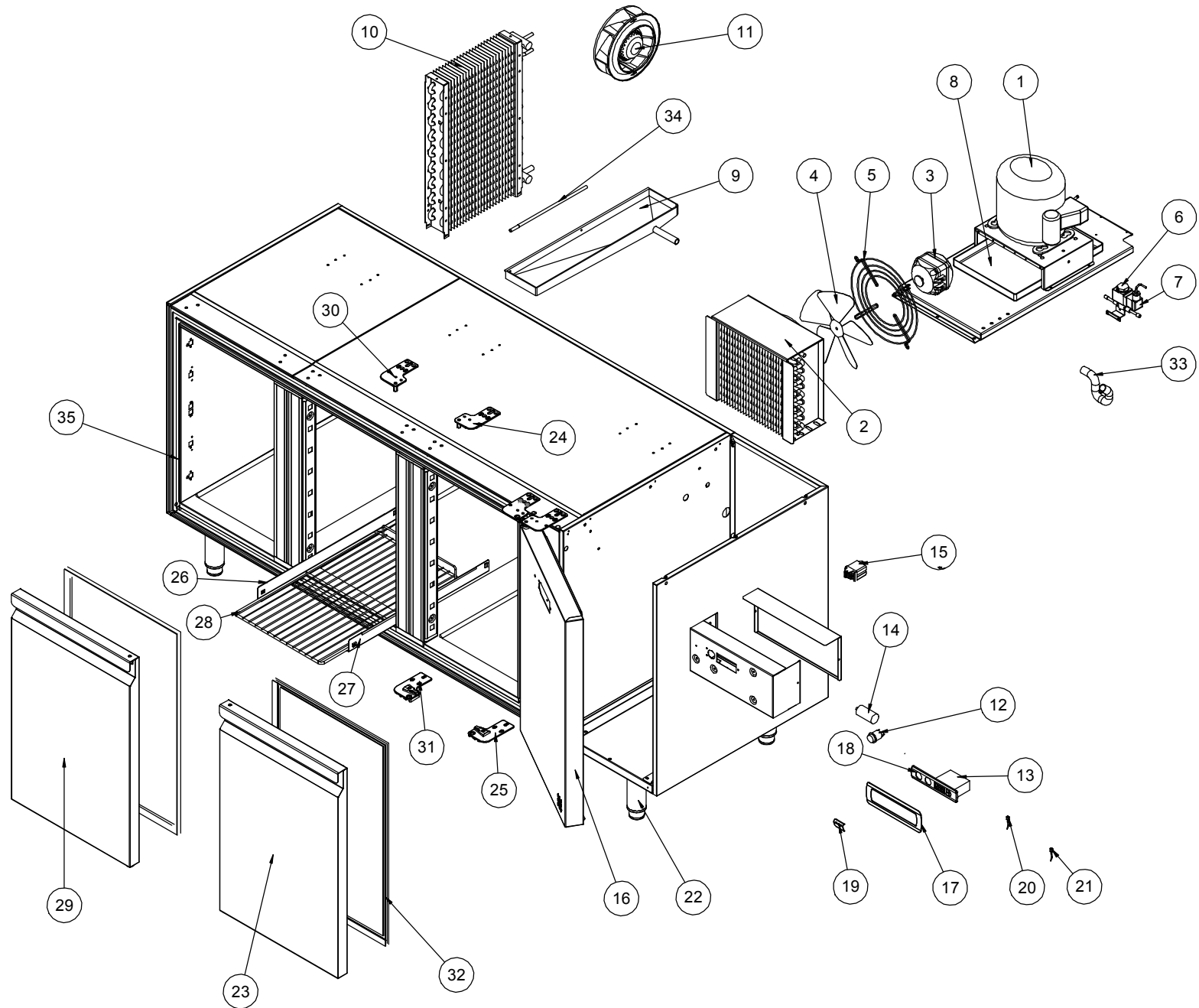


MODELS : TMMG2013-14-15



| NR | COD | ITALIANO | ENGLISH | FRANCAIS | DEUTSCHE |
|----|-------|---|--|----------------------------------|---|
| 1 | 32712 | COMPRESSORE ACC MX18FB 230 V 50Hz | Compressor | Compresseur | Kompressor |
| 2 | 29264 | "CONDENSATORE 10T 240A 4R P3.6 TUBI 3/8"" | Condenser | Condenseur | Kondensator |
| 3 | 28674 | MOTOV.230V 50/60HZ 16W M4Q045-CF01-A4 CA | Ventilator | Moteur | Ventilator |
| 4 | 18640 | VENTOLA VA D.230-28 A 73811-2-3634 | Fan | Hélice | Ventil |
| 5 | 18644 | GRIGLIA D.230 50970-2-4039 ZIEL | Fan protection grid | Grille de protection | Schutzgitter |
| 6 | 32347 | VALV.SOLENOIDE 1/4 220V 50Hz (1028/2SE) | Solenoid valve | Valve solenoide | Solenoidventil |
| 7 | 32348 | BOBINA HM2 220/239 A.C.50/60Hz(9100/RA6) | Coil solenoid valve | Bobine valve solenoide | Solenoidventilspule |
| 8 | 29036 | BACINELLA EVAPORACONDENSA TAR | Drip tray | Egouttoir | Kondenswasser-Behälter |
| 9 | 29254 | BACINELLA RACCOGLICONDENSA DX TAR GN VEN | Drip tray | Bac | kondens-Wasserbehälter |
| 10 | 19302 | EVAPORATORE 1-2-3-4P.VENT. T.REF.GN | EVAPORATOR | évaporateur | Verdampfer |
| 11 | 30631 | MOTOVENT. R2E190-AO26-66 230V 58W | Ventilator | Moteur | Ventilator |
| 12 | 29583 | INTER.A PULSANTE BIP.VERDE SP6018C1E0000 | General switch | Interrupteur générales | Haupt-Schalter |
| 13 | 31384 | TELET.PJ32C00000 230/50 PLACCA NERA | Telethermostat | Telethermostat | Telethermostat |
| 14 | 544 | CONDENSATORE 2 uF | Condenser4 | Condenseur | Kondensator |
| 16 | 32998 | CRUSCOTTO DX TAR 2005 MOT. ILSA | Front panel | Panneau frontal | Front Blende Schrank |
| 18 | 32810 | MASCHERINA TAR NERA | Front cover black | Couvre tableau | Abdeckung schwarz |
| 20 | 20286 | SONDA TEMP. NTC 1,5mt IP65 | Temperature probe | Sonde de température | Temperaturfühler |
| 21 | 29657 | SONDA TEMPERATURA NTC 3 MT IP65 | Temperature probe | Sonde de température | Temperaturfühler |
| 24 | 32888 | CERNIERA SUPERIORE SX TAR HIGH | Upper hinge | Charnière superieure | Oberes Scharnier links |
| 25 | 32080 | CERNIERA INF. SX TAR ECONOMICI | Lower left hinge assembly | Ensemble charniere inf.gouche | Set unteres Scharnier links |
| 26 | 29085 | GUIDA SX TAR GN L=513 | LH SLIDE FOR REFRIGERATED COUNTER GN L=513 | Glissière gauche tar GN L=513 | Linke Führung TAR GN L=514 |
| 27 | 29084 | GUIDA DX TAR GN L=513 | RH SLIDE FOR REFRIGERATED COUNTER GN L=513 | Glissière droite tar GN=513 | Rechte Führung TAR GN L=513 |
| 28 | 30723 | GRIGLIA PLASTIFICATA GN 1/1 530x325 | Plastic coated grid GN 1/1 530x325 | Grille plastifiée GN 1/1 530x325 | Kunststoffbeschichteter Gitter GN 1/1 530x325 |
| 29 | 32829 | PORTA SX TAR GN MEDIO | LH DOOR FOR REFRIGERATED COUNTER | Porte gauche tar gn | Linke Tür TAR GN |
| 30 | 30344 | CERNIERA SUP. DX. ARMADI | Upper Right hinge | Charnière sup. droite armoire | Rechtes oberes Scharnier Schränke |
| 32 | 19099 | Guarnizione | Gasket | Joint | Dichtung |
| 33 | 28710 | Tubo scarico | Drain pipe | Tube déchargement eau | Ablaufrohr |
| 34 | 27590 | RESISTENZA SCARICO L=3500 220V 50W (TAR- | Drain resistance | Résistance vidange | Abfluss-Heizstab |
| 35 | 29408 | RESISTENZA STIPITE 230V 19W L=3410 | Door profil heated element | Resistance porte. | Thurrahmenheizstab |