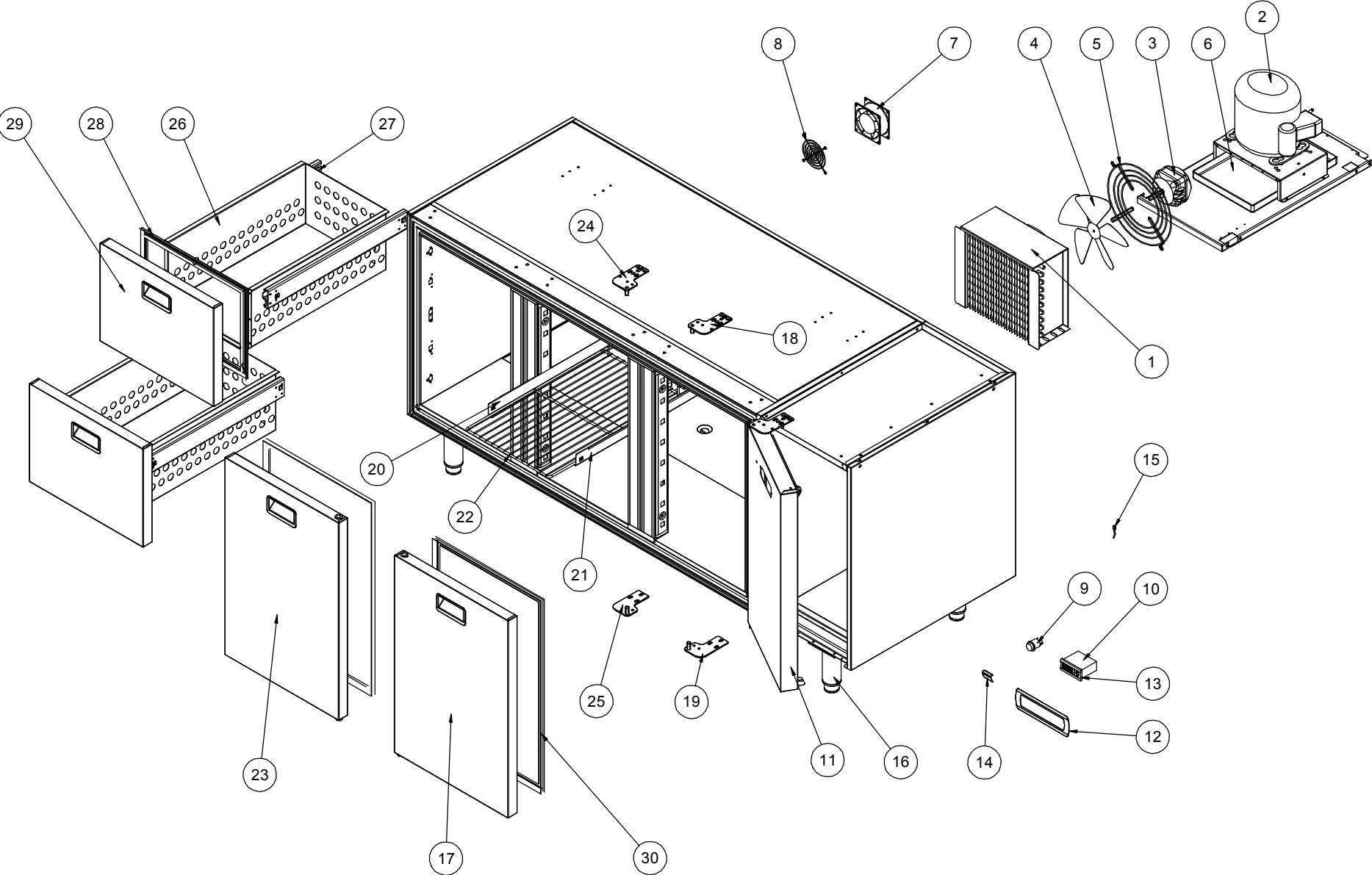


MODELS : TEMG3001-2-3



NR	COD	ITALIANO	ENGLISH	FRANCAIS	DEUTSCHE
1	29262	"CONDENSATORE 10T 240A 2R P3.6 TUBI 3/8""	Condenser	Condenseur	Kondensator
2	32712	COMPRESSORE ACC MX18FB 230 V 50Hz	Compressor	Compresseur	Kompressor
3	28673	MOTOV.230V 50/60HZ 10W M4Q045-CA03-A4 CA	Ventilator	Moteur	Ventilator
4	18640	VENTOLA VA D.230-28 A 73811-2-3634	Fan	Hélice	Ventil
5	18644	GRIGLIA D.230 50970-2-4039 ZIEL	Fan protection grid	Grille de protection	Schutzgitter
6	29036	BACINELLA EVAPORACONDENSA TAR	Drip tray	Egouttoir	Kondenswasser-Behälter
9	29583	INTER.A PULSANTE BIP.VERDE SP6018C1E0000	General switch	Interrupteur générales	Haupt-Schalter
10	33100	TELET.PJ32S00000 230/50 PLACCA NERA	Telethermostat	Teletermostat	Telethermostat
11	32221	ASS. CRUSCOTTO TAR GN ECONOMICI	Frontal panel	Panneau frontal	Front Blende
13	32810	MASCHERINA TAR NERA	Front cover black	Couvre tableau	Abdeckung schwarz
15	20286	SONDA TEMP. NTC 1,5mt IP65	Temperature probe	Sonde de température	Temperaturfühler
16	31426	"PIEDINO REG. 1""1/4 H=140/190 C/PIASTRA"	Foot assembly	"Ens. pied 1""1/4"	"Set Stellfuß 1""1/4 H=140/190 TAR"
17	32991	PORTA DX TAR GN ECO	Foamed door assembly	Ensemble porte	Verschäumte Tür
20	29085	GUIDA SX TAR GN L=513	LH SLIDE FOR REFRIGERATED COUNTER GN L=513	Glissière gauche tar GN L=513	Linke Führung TAR GN L=514
21	29084	GUIDA DX TAR GN L=513	RH SLIDE FOR REFRIGERATED COUNTER GN L=513	Glissière droite tar GN=513	Rechte Führung TAR GN L=513
22	30723	GRIGLIA PLASTIFICATA GN 1/1 530x325	Plastic coated grid GN 1/1 530x325	Grille plastifiée GN 1/1 530x325	Kunststoffbeschichteter Gitter GN 1/1 530x325
23	32992	PORTA SX TAR GN ECO	Foamed door assembly	Ensemble porte	Verschäumte Tür
24	30345	CERNIERA SUP. DX. TAVOLI	Upper hinge	Charnière superieure	Oberes Scharnier links
25	32081	CERNIERA INF. DX TAR ECONOMICI	Lower right hinge assembly	Ensemble charniere inf.droite	Set unteres Scharnier links
26	29128	Ass.involucro 1/2	Frame 1/2	Entoure tiroir 1/2	Schubladehülle 1/2
27	29425	Coppia guide telescopiche	Tlescopic slides	Glissiers télescopiques	Teleskopische Fuehrungen
28	19100	Guarnizione 1/2	Drawer gasket 1/2	Joint tiroir 1/2	Schubladedichtung 1/2
29	32994	Ass. cass. 1/2	Drawer 1/2	Tiroir 1/2	Schublade 1/2
30	19099	Guarnizione	Gasket	Joint	Dichtung