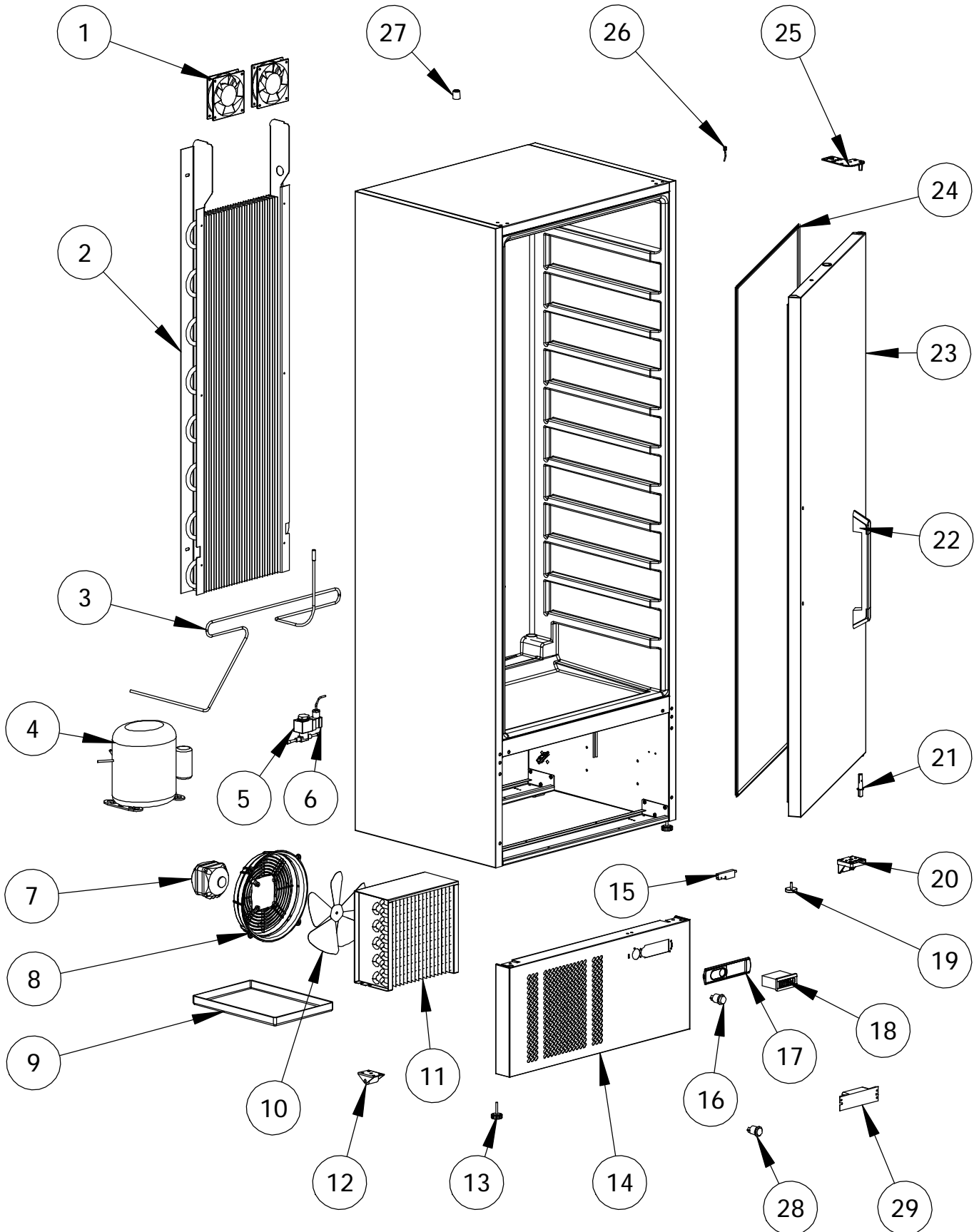


MODELS : AS050001  
AS050002  
AS050003  
AS050005



NR	COD	ITALIANO	ENGLISH	FRANCAIS	DEUTSCH	AS050001	AS050002	AS050003	AS050005
1	32551	VENTILAT. ASSIALE COMPATTO	Ventilator	Moteur	Ventilator		●		
2	33753	EVAPORATORE 500 LT BT	Evaporator	Evaporateur	Verdampfer		●		
3	27590	RESISTENZA SCARICO	Drain resistance	Résistance vidange	Abfluss-Heizwiderstand		●		
4	29339	COMPRESSORE ACC MP12FB	Compressor	Compresseur	Kompressor		●		
	28757	COMPRESSORE ACC ML45TB	Compressor	Compresseur	Kompressor	●		●	●
5	32347	VALV.SOLENOIDE 1/4 220V 50Hz (1028/2SE)	Solenoid valve	Valve solenoide	Solenoidventil		●		
6	32348	BOBINA HM2 220/239 A.C.50/60Hz(9100/RA6)	Coil solenoid valve	Bobine valve solenoide	Solenoidventilspule		●		
7	28673	MOTOV.230V 50/60HZ 10W M4Q045-CA03-A4 CA	Ventilator	Moteur	Ventilator	●	●	●	●
8	30329	GRIGLIA CONDENSATORE 9906	Fan protection grid	Grille de protection	Gitter	●	●	●	●
9	29036	BACINELLA EVAPORACONDENSA TAR	Condenser basin	Bac condensateur	Kondenswasser-Becken	●	●	●	●
10	18640	VENTOLA VA D.230-28 A 73811-2-3634	Fan	Hélice	Flügelrad	●	●	●	●
11	30333	CONDENSATORE 3R 240A 10T P.A. 3,6	Condenser	Condenseur	Kondensator		●		
	30334	CONDENSATORE 2R 240A 10T P.A. 3,6	Condenser	Condenseur	Kondensator	●		●	●
12	32550	RUOTA OMNIDIREZ.	Castor	Roulette	Rad	●	●	●	●
13	32388	PIEDE REGOLAB. GAMBO FISSO	Foot	Pieds	Edelstahlfuß	●	●	●	●
14	32581	CRUSCOTTO ARF 500 LT	Tech.compartment frontal panel	Panneau frontal compartiment technique	Panel Technischer-Raum	●	●	●	●
15	18762	SENSORE MAGNETICO N.O. 100W	Magnetic sensor	Capteur magnétique	Magnetsensor	●	●	●	●
16	29583	INTER.A PULSANTE BIP.VERDE SP6018C1E0000	General swith	Interrupteur générales	Schalter	●	●	●	●
17	32810	MASCHERINA TAR NERA	Instrumental grille	Couvre tableau	Paneelmaske	●	●	●	●
	32811	MASCHERINA TAR DUE PULSANTI NERA	Instrumental grille	Couvre tableau	Paneelmaske			●	
18	31384	TELET.PJ32C00000 230/50 PLACCA NERA	Telethermostat	Teletermostat	Telechtermostat		●		
	33100	TELET.PJ32S00000 230/50 PLACCA NERA	Telethermostat	Teletermostat	Telechtermostat	●		●	●
19	00526	CHIUSURA MAGNETICA	Magnetic lock	Fermeture magnétique	Magnetverschluss	●	●	●	●
20	32394	CERNIERA INFERIORE PORTA 500 LT	Lower hinge	Charnière inferieure	Unteres Scharnier	●	●	●	●
13	32082	PERNO MOLLA PORTA ARMADI	Pin	Pivot	Stift	●	●	●	●
22	32387	MANIGLIA CROMATA	Handle	Poignée	Griff Kühlschränk	●	●	●	●
	34543	MANIGLIA PORTA VETRO	Glass door handle	Poignée porte vitrée	Griff Kühlschränk			●	
23	34071	ASS. FORNITURA PORTA 500 LT	Door foam assembly	Ensemble porte	Verschäumtes Türset		●		
	32382	ASS. PORTA VETRO DX TN 500 LT	Glass door	Porte vitrée	Glashtür			●	
24	33842	GUARNIZ. DI RICAM. PORTA 500 LT	Door gaskets	Joint magnétique porte	Tuer dichtung	●	●	●	●
	34542	GUARNIZ. DI RICAM. PORTA VETRO 500 LT	Glass door gasket	Joint porte vitrée	Dichtung Glashtür			●	
25	30345	CERNIERA SUP. DX.	Upper right hinge	Charnière superieure droite	Oberes Scharnier rechts	●	●	●	●
26	29657	SONDA TEMPERATURA NTC 3 MT IP65	Temperature probe	Sonde de température	Temperaturfühler	●	●	●	●
27	33392	DIST.POST. ARMADIO 500 LT	Rear spacer	Entretoise arrière	Hinteres Distanzstück	●	●	●	●
28	32760	INTER.A PULSANTE BIP. BLU SP6018C1F0000	Light swith	Interrupteur lumière	Schalter Licht			●	
29	32592	REATTORE OSRAM QUICKTRONIC QTFH 14-35W	Reactor	Inductance	Starter			●	