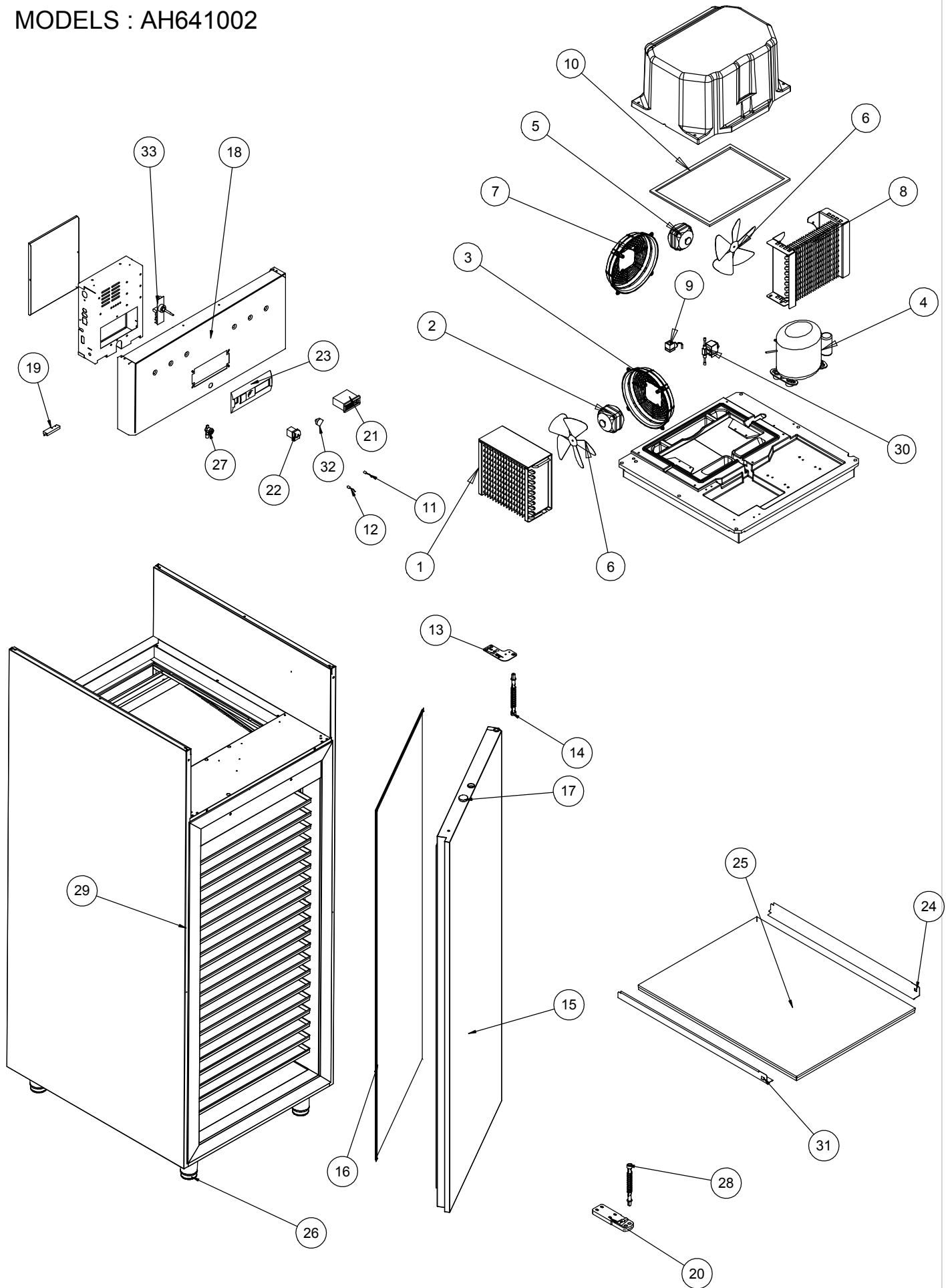


MODELS : AH641002



NR	COD	ITALIANO	ENGLISH	FRANCAIS	DEUTSCHE
2	28674	MOTOV.230V 50/60HZ 16W M4Q045-CF01-A4 CA	Ventilator	Moteur	Ventilator
3	30329	GRIGLIA CONDENSATORE 9906	Fan protection grid	Grille de protection	Schutzgitter
4	32713	COMPRESSORE ACC MX21FB 230 V 50Hz	Compressor	Compresseur	Kompressor
5	28673	MOTOV.230V 50/60HZ 10W M4Q045-CA03-A4 CA	Ventilator	Moteur	Ventilator
6	18640	VENTOLA VA D.230-28 A 73811-2-3634	Fan	Hélice	Ventil
8	34008	EVAPORATORE 10 T 3R A 260 P 5	EVAPORATOR 10 T 3R A 260 P 5	Evaporateur 10 T 3R A 260 P 5	Verdampfer 10 T 3R A 260 P5
9	32348	BOBINA HM2 220/239 A.C.50/60Hz(9100/RA6)	Coil solenoid valve	Bobine valve solenoide	Solenoidventilspule
10	34481	GUARNIZIONE SOCAPRENE ø 25	SOCAPRENE GASKET ø 25	Joint en socaprene ø 25	Socaprenedichtung ø 25
11	20286	SONDA TEMP. NTC 1,5mt IP65	Temperature probe	Sonde de température	Temperaturfühler
12	29657	SONDA TEMPERATURA NTC 3 MT IP65	Temperature probe	Sonde de température	Temperaturfühler
13	31690	ASS.CERNIERA SUPERIORE DX ARF	Right upper hinge	Charnière superieure	Set oberes Scharnier links
14	30876	ASS. MOLLA SX ARMADI REFRIGERATI	Right spring assembly	Ensemble ressort droite	Feder-Set rechts Kühltisch
15	34105	ASS. PORTA GE HARMONY ARF 2007	DOOR GE HARMONY ARF 2007	Porte GE Harmony ARF 2007	Tür GE Harmony ARF 2007
16	33994	GUARNIZIONE PORTA PA ARF 2007	Door gasket PA ARF 2007	Joint porte PA ARF 2007	Türdichtung PA ARF 2007
17	34768	UNITA' MAGNETICA Nd RESINATA ø 22	RESINED MAGNETIC UNIT Nd ø 22	Unité magnétique Nd résinée ø 22	Magneteinheit Nd geharzt ø 22
18	30847	CRUSCOTTO ARMADIO GE/PA HARMONY	Front panel GE/PA HARMONY	Panneau frontal armoire GE/PA Harmony	Front Blende Schrank GE/PA Harmony
19	18762	SENSORE MAGNETICO N.O. 100W	Magnetic sensor	Capteur magnétique	Magnetsensor
20	30874	ASS. CERNIERA INFERIORE ARMADI HARMONY	Lower hinge	Charnière inferieure	Unteres Scharnier
21	31384	TELET.PJ32C00000 230/50 PLACCA NERA	Telethermostat	Telethermostat	Telethermostat
22	18686	INTERRUTTORE A4 16A VERDE	A4 16A SWITCH, GREEN	Interrupteur A4 16A vert	Schalter A4 16A grün
24	33707	GUIDA DX ARM. PA 600x400	Right Slide	Glissière droite	Rechte Führung
26	34541	"PIEDINO 2"" ABS 115/165 M10x20"	"2"" ABS FOOT 115/165 M10x20"	"Pied 2"" ABS 115/165 M10x20"	"Fuß 2"" ABS 115/165 M10x20"
28	30875	ASS. MOLLA DX ARMADI REFRIGERATI	Left spring assembly	Ensemble ressort gauche	Feder-Set links Kühltisch
29	18862	RESISTENZA STIPITE ARM.REF.BT	Door heating element	Résistance montant	Türrahmeneizung
30	32347	VALV.SOLENOIDE 1/4 220V 50Hz (1028/2SE)	Solenoid valve	Valve solenoide	Solenoidventil
31	33708	GUIDA SX ARM. PA 600x400	Left slide	Glissière gauche	Linke Führung