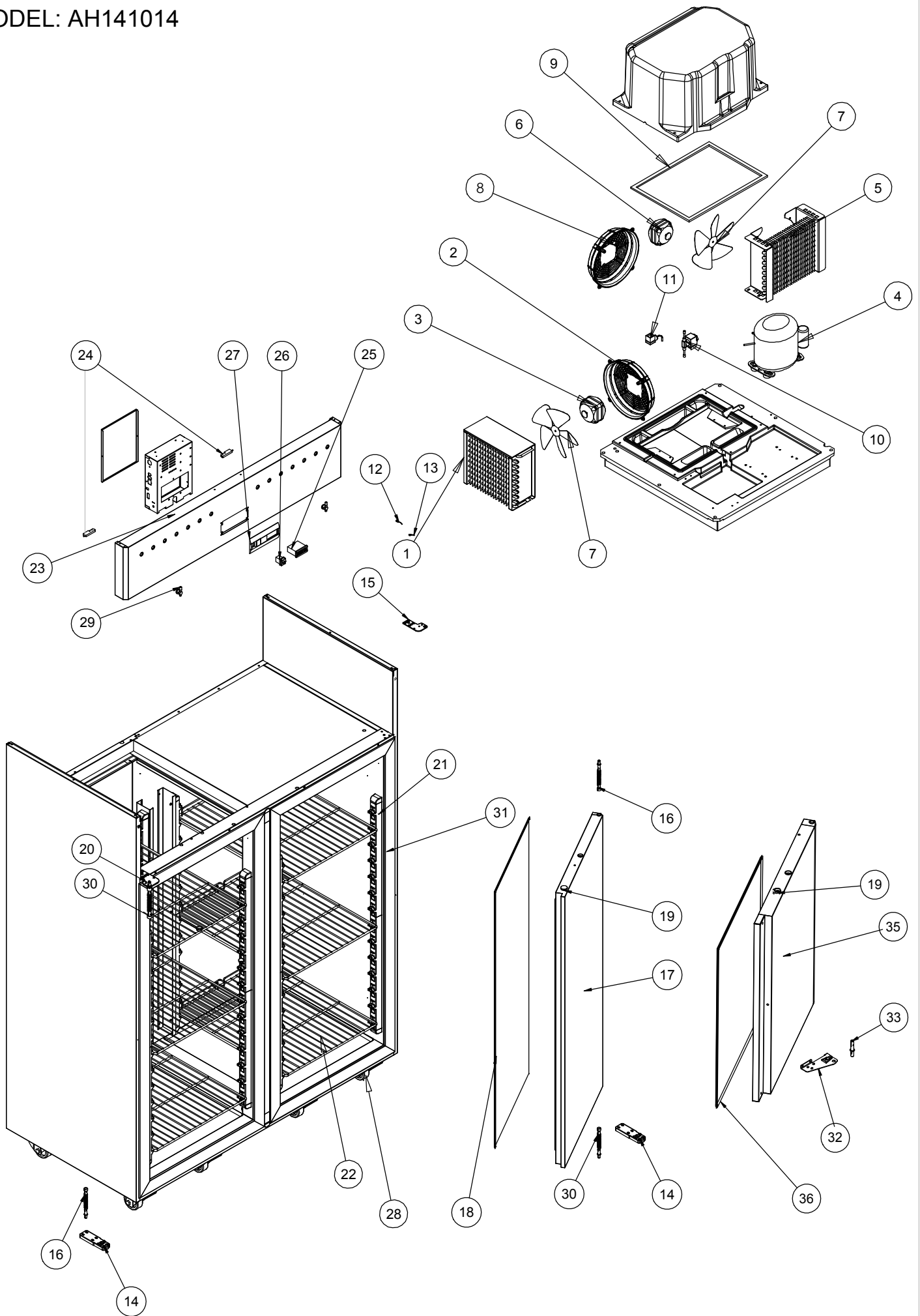


MODEL: AH141014



NR	COD	ITALIANO	ENGLISH	FRANCAIS	DEUTSCHE
1	30330	CONDENSATORE 4R 240A 10T P.A. 3,6	Condenser	Condenseur	Kondensator
2	30329	GRIGLIA CONDENSATORE 9906	Fan protection grid	Grille de protection	Gitter
3	28673	MOTOV.230V 50/60HZ 10W M4Q045-CA03-A4 CA	Ventilator	Moteur	Ventilator
4	30014	COMPRESSORE ACC ML80TB 220-240V 50 Hz	Compressor	Compresseur	Kompressor
5	34008	EVAPORATORE 10 T 3R A 260 P 5	EVAPORATOR 10 T 3R A 260 P 5	Evaporateur 10 T 3R A 260 P 5	Verdampfer 10 T 3R A 260 P5
6	28672	MOTOV.230V 50/60HZ 5W M4Q045-BD01-A4 CAV	Ventilator	Moteur	Ventilator
7	18640	VENTOLA VA D.230-28 A 73811-2-3634	Fan	Hélice	Fluegelrad
9	34481	GUARNIZIONE SOCAPRENE ø 25	SOCAPRENE GASKET ø 25	Joint socaprène ø 25	Dichtung Socaprène ø 25
10	32347	VALV.SOLENOIDE 1/4 220V 50Hz (1028/2SE)	Solenoid valve	Valve solenoide	Solenoidventil
11	32348	BOBINA HM2 220/239 A.C.50/60Hz(9100/RA6)	Coil solenoid valve	Bobine valve solenoide	Solenoidventilspule
13	20286	SONDA TEMP. NTC 1,5mt IP65	Temperature probe	Sonde de température	Temperaturfühler
14	30874	ASS. CERNIERA INFERIORE ARMADI HARMONY	Lower hinge	Charnière inférieure	Unteres Scharnier
15	31690	ASS.CERNIERA SUPERIORE DX ARF	Upper hinge	Charnière supérieure	Set oberes Scharnier links
16	30876	ASS. MOLLA SX ARMADI REFRIGERATI	Elite HTNX 700 TN/BT junction box ass.	Boîte él. HTNX 700 TN/BT Elite	Set Abzweigdose HTNX 700 TN/BT ELITE
19	34768	UNITA' MAGNETICA Nd RESINATA ø 22	RESINED MAGNETIC UNIT Nd ø 22	Unité magnétique Nd résinée ø 22	Magneteinheit Nd geharzt ø 22
20	31691	ASS.CERNIERA SUPERIORE SX ARF	Upper hinge	Charnière supérieure	Set oberes Scharnier links
21	34385	CREMAGLIERA PLASTICA 1/2 350	PLASTIC RACK 1/2 350	Crémaillère plastique 1/2 350	Kunststoff-Zahnstange 1/2 350
22	30199	GRIGLIA PLASTIF. GRIGIA GN 2/1 650x530	Gridded shelf GN2/1 650x530	Grille GN2/1 650x530	Verchromtes Gitter GN 2/1 650x530
23	30773	CRUSCOTTO ARMADIO 1400 HARMONY	CONTROL PANEL 1400 HARMONY	Tableau armoires 1400 harmony	Armaturenbrett Schrank 1400 Harmony
24	18762	SENSORE MAGNETICO N.O. 100W	Magnetic sensor	Capteur magnétique	Magnetsensor
25	31384	TELET.PJ32C00000 230/50 PLACCA NERA	Telethermostat	Telethermostat	Telethermostat
26	18686	INTERRUTTORE A4 16A VERDE	A4 16A SWITCH, GREEN	Interrupteur A4 16A vert	Schalter A4 16A grün
28	34541	"PIEDINO 2"" ABS 115/165 M10x20"	"2"" ABS FOOT 115/165 M10x20"	"Pied 2"" ABS 115/165 M10x20"	"Fuß 2"" ABS 115/165 M10x20"
30	30875	ASS. MOLLA DX ARMADI REFRIGERATI	Left spring assembly	Ensemble ressort gauche	Set Feder links Kühltisch
32	31282	ASS. CERNIERA INTERMEDIA 350	Right intermediate hinge	Charnière intermédiaire droite	Zwischenscharnier rechts
33	18779	PERNO CARICA MOLLA	Pin	Pivot	Stift
35	34104	ASS. PORTA 350 HARMONY ARF 2007	DOOR 350 HARMONY ARF 2007	Porte 350 Harmony ARF 2007	Baugruppe Tür 350 Harmony ARF 2007
36	33993	GUARNIZIONE PORTA 350 ARF 2007	DOOR HINGE 350 ARF 2007	Joint porte 350 ARF 2007	Türdichtung 350 ARF 2007