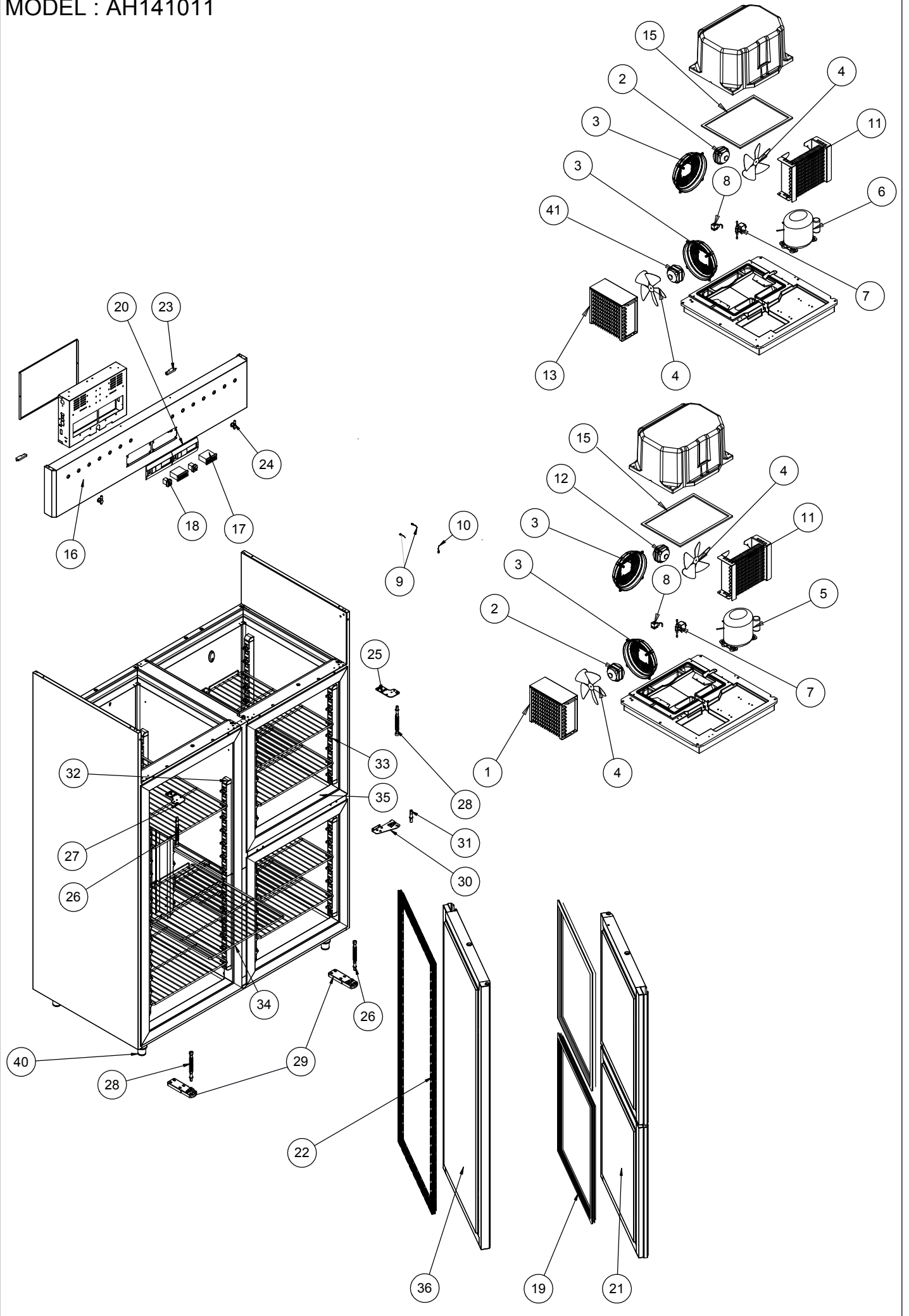


MODEL : AH141011



NR	COD	ITALIANO	ENGLISH	FRANCAIS	DEUTSCHE
2	28673	MOTOV.230V 50/60HZ 10W M4Q045-CA03-A4 CA	Ventilator	Moteur	Ventilator
3	30329	GRIGLIA CONDENSATORE 9906	Fan protection grid	Grille de protection	Schutzgitter
4	18640	VENTOLA VA D.230-28 A 73811-2-3634	Fan	Hélice	Ventil
5	28931	COMPRESSORE ACC ML60TB 220-240V 50 Hz	Compressor	Compresseur	Kompressor
6	29339	COMPRESSORE ACC MP12FB 220-240V 50 Hz	Compressor	Compresseur	Kompressor
7	32347	VALV.SOLENOIDE 1/4 220V 50Hz (1028/2SE)	Solenoid valve	Valve solenoide	Solenoidventil
8	32348	BOBINA HM2 220/239 A.C.50/60Hz(9100/RA6)	Coil solenoid valve	Bobine valve solenoide	Solenoidventilspule
9	20286	SONDA TEMP. NTC 1,5mt IP65	Temperature probe	Sonde de température	Temperaturfühler
11	34008	EVAPORATORE 10 T 3R A 260 P 5	EVAPORATOR 10 T 3R A 260 P 5	Evaporateur 10 T 3R A 260 P 5	Verdampfer 10 T 3R A 260 P5
12	28672	MOTOV.230V 50/60HZ 5W M4Q045-BD01-A4 CAV	Ventilator	Moteur	Ventilator
13	30333	CONDENSATORE 3R 240A 10T P.A. 3,6	Condenser	Condenseur	Kondensator
15	34481	GUARNIZIONE SOCAPRENE ø 25	SOCAPRENE GASKET ø 25	Joint en socaprène ø 25	Socaprenedichtung ø 25
16	31393	CRUSCOTTO ARMADIO 700 + 700 HARMONY	Front panel 700 + 700 HARMONY	Panneau frontal armoire Harmony 700 + 700	Front Blende Schrank 700 + 700 Harmony
17	31384	TELET.PJ32C00000 230/50 PLACCA NERA	Telethermostat	Teletermostat	Telethermostat
18	18686	INTERRUPTORE A4 16A VERDE	A4 16A SWITCH, GREEN	Interrupteur A4 16A vert	Schalter A4 16A grün
19	33993	GUARNIZIONE PORTA 350 ARF 2007	Door gasket 350 ARF 2007	Joint porte 350 ARF 2007	Türdichtung 350 ARF 2007
21	34104	ASS. PORTA 350 HARMONY ARF 2007	DOOR 350 HARMONY ARF 2007	Porte 350 Harmony ARF 2007	Tür 350 Harmony ARF 2007
22	33992	GUARNIZIONE PORTA 700 ARF 2007	Door gasket 700 ARF 2007	Joint porte 700 ARF 2007	Türdichtung 700 ARF 2007
23	18762	SENSORE MAGNETICO N.O. 100W	Magnetic sensor	Capteur magnétique	Magnetsensor
25	31690	ASS.CERNIERA SUPERIORE DX ARF	Right upper hinge	Charnière superieure	Set oberes Scharnier links
26	30875	ASS. MOLLA DX ARMADI REFRIGERATI	Left spring assembly	Ensemble ressort gauche	Feder-Set links Kühlisch
27	31691	ASS.CERNIERA SUPERIORE SX ARF	Left upper hinge	Charnière superieure	Set oberes Scharnier links
28	30876	ASS. MOLLA SX ARMADI REFRIGERATI	Right spring assembly	Ensemble ressort droite	Feder-Set rechts Kühlisch
29	30874	ASS. CERNIERA INFERIORE ARMADI HARMONY	Lower hinge	Charnière inferieure	Unteres Scharnier
30	31282	ASS. CERNIERA INTERMEDIA 350	Right intermediate hinge	Charnière intermédiaire droite	Zwischenscharnier rechts
31	18779	PERNO CARICA MOLLA	Pin	Pivot	Stift
32	34384	CREMAGLIERA PLASTICA 1/1 700	PLASTIC RACK 1/1 700	Crémaillère plastique 1/1 700	Kunststoff-Stange 1/1 700
33	34385	CREMAGLIERA PLASTICA 1/2 350	PLASTIC RACK 1/2 350	Crémaillère plastique 1/2 350	Kunststoff-Stange 1/2 350
34	30199	GRIGLIA PLASTIF. GRIGIA GN 2/1 650x530	Plastic coated grid GN2/1 650x530	Grille plastifié GN2/1 650x530	Kunststoff Gitter GN 2/1 650x530
35	18862	RESISTENZA STIPITE ARM.REF.BT	Door heating element	Résistance montant	Türrahmeneizung
36	34103	ASS. PORTA 700 HARMONY ARF 2007	DOOR 700 HARMONY ARF 2007	Porte 700 Harmony ARF 2007	Tür 700 Harmony ARF 2007
40	34541	"PIEDINO 2"" ABS 115/165 M10x20"	"2"" ABS FOOT 115/165 M10x20"	"Pied 2"" ABS 115/165 M10x20"	"Fuß 2"" ABS 115/165 M10x20"
41	28674	MOTOV.230V 50/60HZ 16W M4Q045-CF01-A4 CA	Ventilator	Moteur	Ventilator