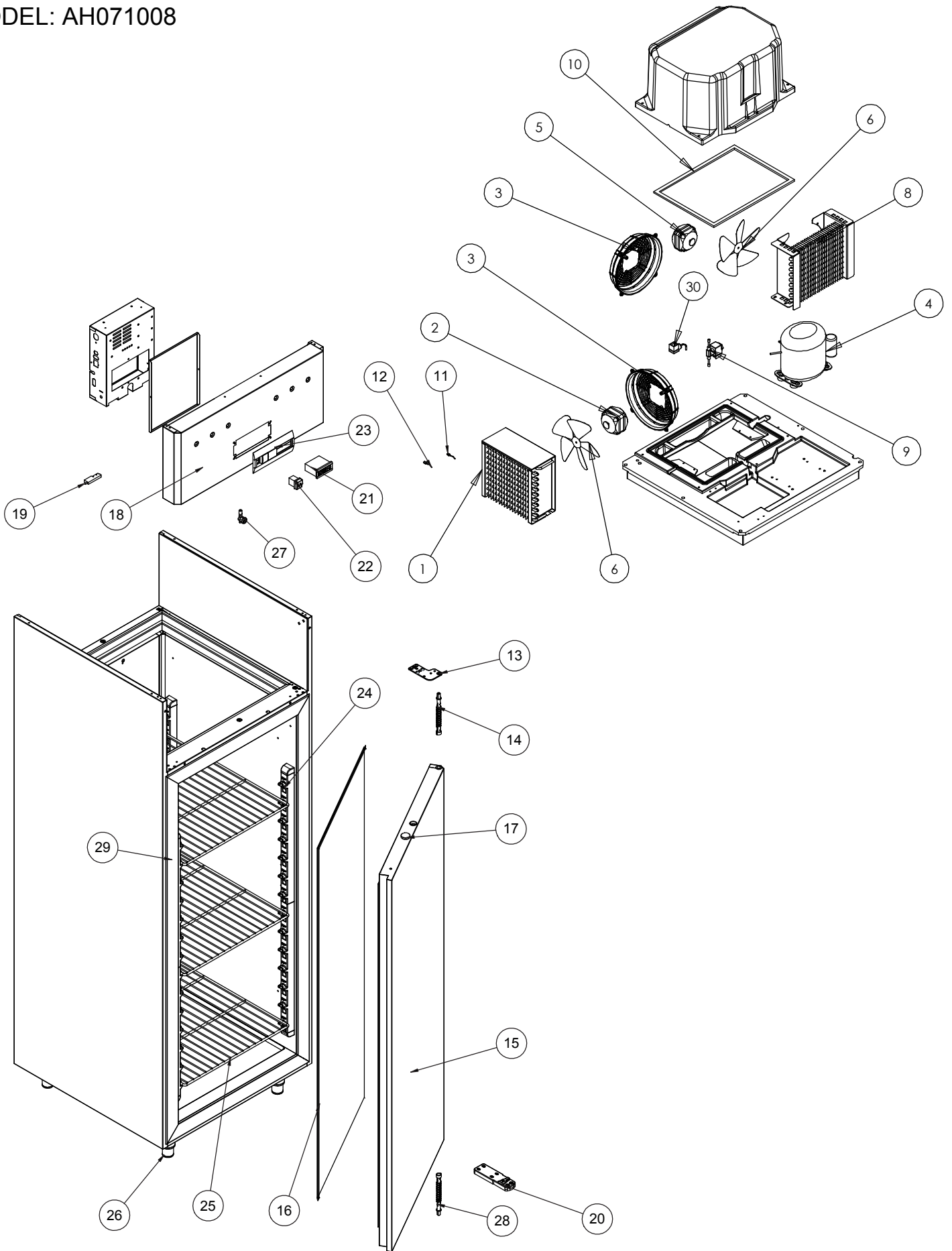


MODEL: AH071008



NR	COD	ITALIANO	ENGLISH	FRANCAIS	DEUTSCHE
1	30333	CONDENSATORE 3R 240A 10T P.A. 3,6	Condenser	Condenseur	Kondensator
2	28673	MOTOV.230V 50/60HZ 10W M4Q045-CA03-A4 CA	Ventilator	Moteur	Ventilator
3	30329	GRIGLIA CONDENSATORE 9906	Fan protection grid	Grille de protection	Schutzgitter
4	28931	COMPRESSORE ACC ML60TB 220-240V 50 Hz	Compressor	Compresseur	Kompressor
5	28672	MOTOV.230V 50/60HZ 5W M4Q045-BD01-A4 CAV	Ventilator	Moteur	Ventilator
6	18640	VENTOLA VA D.230-28 A 73811-2-3634	Fan	Hélice	Ventil
8	34008	EVAPORATORE 10 T 3R A 260 P 5	EVAPORATOR 10 T 3R A 260 P 5	Evaporateur 10 T 3R A 260 P 5	Verdampfer 10 T 3R A 260 P5
9	32347	VALV.SOLENOIDE 1/4 220V 50Hz (1028/2SE)	Solenoid valve	Valve solenoide	Solenoidventil
10	34481	GUARNIZIONE SOCAPRENE ø 25	SOCAPRENE GASKET ø 25	Joint en socaprene ø 25	Socaprenedichtung ø 25
11	20286	SONDA TEMP. NTC 1,5mt IP65	Temperature probe	Sonde de température	Temperaturfühler
12	29657	SONDA TEMPERATURA NTC 3 MT IP65	Temperature probe	Sonde de température	Temperaturfühler
13	31690	ASS.CERNIERA SUPERIORE DX ARF	Right upper hinge	Charnière superieure	Set oberes Scharnier links
14	30876	ASS. MOLLA SX ARMADI REFRIGERATI	Right spring assembly	Ensemble ressort droite	Feder-Set rechts Kühltisch
15	34103	ASS. PORTA 700 HARMONY ARF 2007	DOOR 700 HARMONY ARF 2007	Porte 700 Harmony ARF 2007	Tür 700 Harmony ARF 2007
16	33992	GUARNIZIONE PORTA 700 ARF 2007	Door gasket 700 ARF 2007	Joint porte 700 ARF 2007	Türdichtung 700 ARF 2007
17	34768	UNITA' MAGNETICA Nd RESINATA ø 22	RESINED MAGNETIC UNIT Nd ø 22	Unité magnétique Nd résinée ø 22	Magneteinheit Nd geharzt ø 22
18	30332	CRUSC. 700 HARMONY	CONTROL PANEL 700 HARMONY	Panneau frontal Harmony 700lt	Front Blende Harmony 700
19	18762	SENSORE MAGNETICO N.O. 100W	Magnetic sensor	Capteur magnétique	Magnetsensor
20	30874	ASS. CERNIERA INFERIORE ARMADI HARMONY	Lower hinge	Charnière inferieure	Unteres Scharnier
21	31384	TELET.PJ32C00000 230/50 PLACCA NERA	Teletmostat	Teletmostat	Teletmostat
22	18686	INTERRUTTORE A4 16A VERDE	A4 16A SWITCH, GREEN	Interrupteur A4 16A vert	Schalter A4 16A grün
25	30199	GRIGLIA PLASTIF. GRIGIA GN 2/1 650x530	Plastic coated grid GN2/1 650x530	Grille plastifié GN2/1 650x530	Kunststoff Gitter GN 2/1 650x530
26	34541	"PIEDINO 2"" ABS 115/165 M10x20"	"2"" ABS FOOT 115/165 M10x20"	"Pied 2"" ABS 115/165 M10x20"	"Fuß 2"" ABS 115/165 M10x20"
28	30875	ASS. MOLLA DX ARMADI REFRIGERATI	Left spring assembly	Ensemble ressort gauche	Feder-Set links Kühltisch
29	34384	CREMAGLIERA PLASTICA 1/1 700	PLASTIC RACK 1/1 700	Crémaillère plastique 1/1 700	Kunststoff-Stange 1/1 700
30	32348	BOBINA HM2 220/239 A.C.50/60Hz(9100/RA6)	Coil solenoid valve	Bobine valve solenoide	Solenoidventilspule