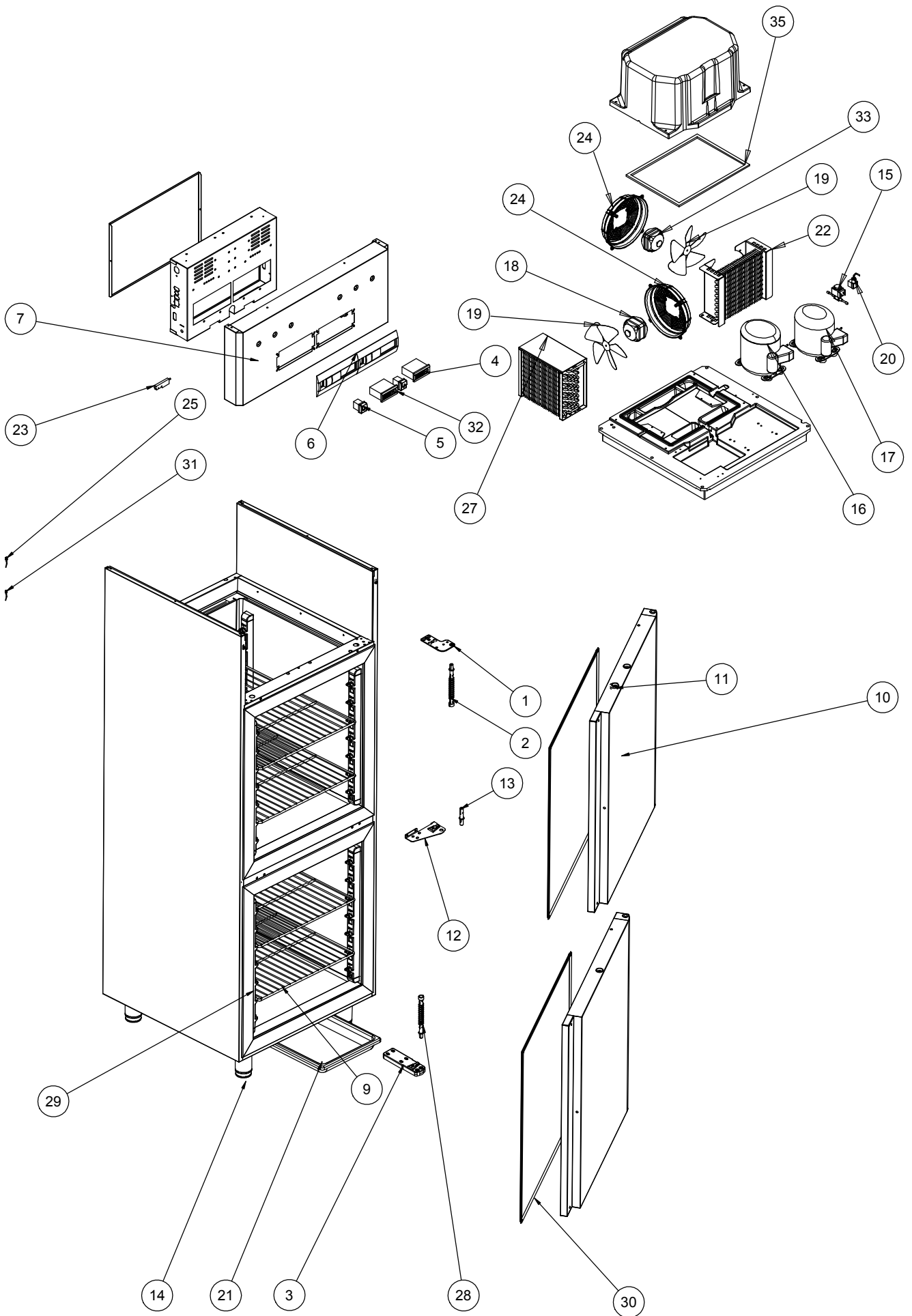


MODEL: AH071007



NR	COD	ITALIANO	ENGLISH	FRANCAIS	DEUTSCHE
1	31690	ASS.CERNIERA SUPERIORE DX ARF	Right upper hinge	Charnière superieure	Set oberes Scharnier links
2	30876	ASS. MOLLA SX ARMADI REFRIGERATI	Right spring assembly	Ensemble ressort droite	Feder-Set rechts Kühltisch
4	33100	TELET.PJ32S00000 230/50 PLACCA NERA	Telethermostat	Teletermostat	Telethermostat
5	18686	INTERRUETTORE A4 16A VERDE	A4 16A SWITCH, GREEN	Interrupteur A4 16A vert	Schalter A4 16A grün
7	30766	CRUSCOTTO ARMADI HARMONY 350+350	Front panel HARMONY 350+350	Panneau frontal armoire harmony 350+350	Front Blende Harmony 350+350
9	30199	GRIGLIA PLASTIF. GRIGIA GN 2/1 650x530	Plastic coated grid GN2/1 650x530	Grille plastifié GN2/1 650x530	Kunststoff Gitter GN 2/1 650x530
10	34104	ASS. PORTA 350 HARMONY ARF 2007	DOOR 350 HARMONY ARF 2007	Porte 350 Harmony ARF 2007	Tür 350 Harmony ARF 2007
11	34768	UNITA' MAGNETICA Nd RESINATA ø 22	RESINED MAGNETIC UNIT Nd ø 22	Unité magnétique Nd résinée ø 22	Magneteinheit Nd geharzt ø 22
12	31282	ASS. CERNIERA INTERMEDIA 350	Right intermediate hinge	Charnière intermédiaire droite	Zwischenscharnier rechts
13	18779	PERNO CARICA MOLLA	Pin	Pivot	Stift
14	34541	"PIEDINO 2"" ABS 115/165 M10x20"	"2"" ABS FOOT 115/165 M10x20"	"Pied 2"" ABS 115/165 M10x20"	"Fuß 2"" ABS 115/165 M10x20"
15	32347	VALV.SOLENOIDE 1/4 220V 50Hz (1028/2SE)	Solenoid valve	Valve solenoide	Solenoidventil
16	28757	COMPRESSORE ELECTROLUX ML45TB	Compressor	Compresseur	Kompressor
17	18030	COMPRESSORE ACC ML90FB	Compressor	Compresseur	Kompressor
18	28674	MOTOV.230V 50/60HZ 16W M4Q045-CF01-A4 CA	Ventilator	Moteur	Ventilator
19	18640	VENTOLA VA D.230-28 A 73811-2-3634	Fan	Hélice	Ventil
20	32348	BOBINA HM2 220/239 A.C.50/60Hz(9100/RA6)	Coil solenoid valve	Bobine valve solenoide	Solenoidventilspule
22	34007	EVAPORATORE 10 T 2R A 260 P 5	EVAPORATOR 10 T 2R A 260 P 5	Evaporateur 10 T 2R A 260 P 5	Verdampfer 10 T 2R A 260 P5
23	18762	SENSORE MAGNETICO N.O. 100W	Magnetic sensor	Capteur magnétique	Magnetsensor
24	30329	GRIGLIA CONDENSATORE 9906	Fan protection grid	Grille de protection	Schutzgitter
25	20286	SONDA TEMP. NTC 1,5mt IP65	Temperature probe	Sonde de température	Temperaturfühler
27	34017	CONDENSATORE 10 T 5R 2C A 250 P 3.6	CONDENSER 10 T 5R 2C A 250 P 3.6	Condensateur 10 T 5R 2C A 250 P 3.6	Kondensator 10 T 5R 2C A 250 P 3.6
28	30875	ASS. MOLLA DX ARMADI REFRIGERATI	Left spring assembly	Ensemble ressort gauche	Feder-Set links Kühltisch
29	31511	RESISTENZA STIPITE 230V 28W L =5130	Door heating element	Résistance montant	Türrahmeneizung
30	33993	GUARNIZIONE PORTA 350 ARF 2007	Door gasket 350 ARF 2007	Joint porte 350 ARF 2007	Türdichtung 350 ARF 2007
31	29657	SONDA TEMPERATURA NTC 3 MT IP65	Temperature probe	Sonde de température	Temperaturfühler
32	31384	TELET.PJ32C00000 230/50 PLACCA NERA	Telethermostat	Teletermostat	Telethermostat
33	28672	MOTOV.230V 50/60HZ 5W M4Q045-BD01-A4 CAV	Ventilator	Moteur	Ventilator
35	34481	GUARNIZIONE SOCAPRENE ø 25	SOCAPRENE GASKET ø 25	Joint en socaprène ø 25	Socaprenedichtung ø 25