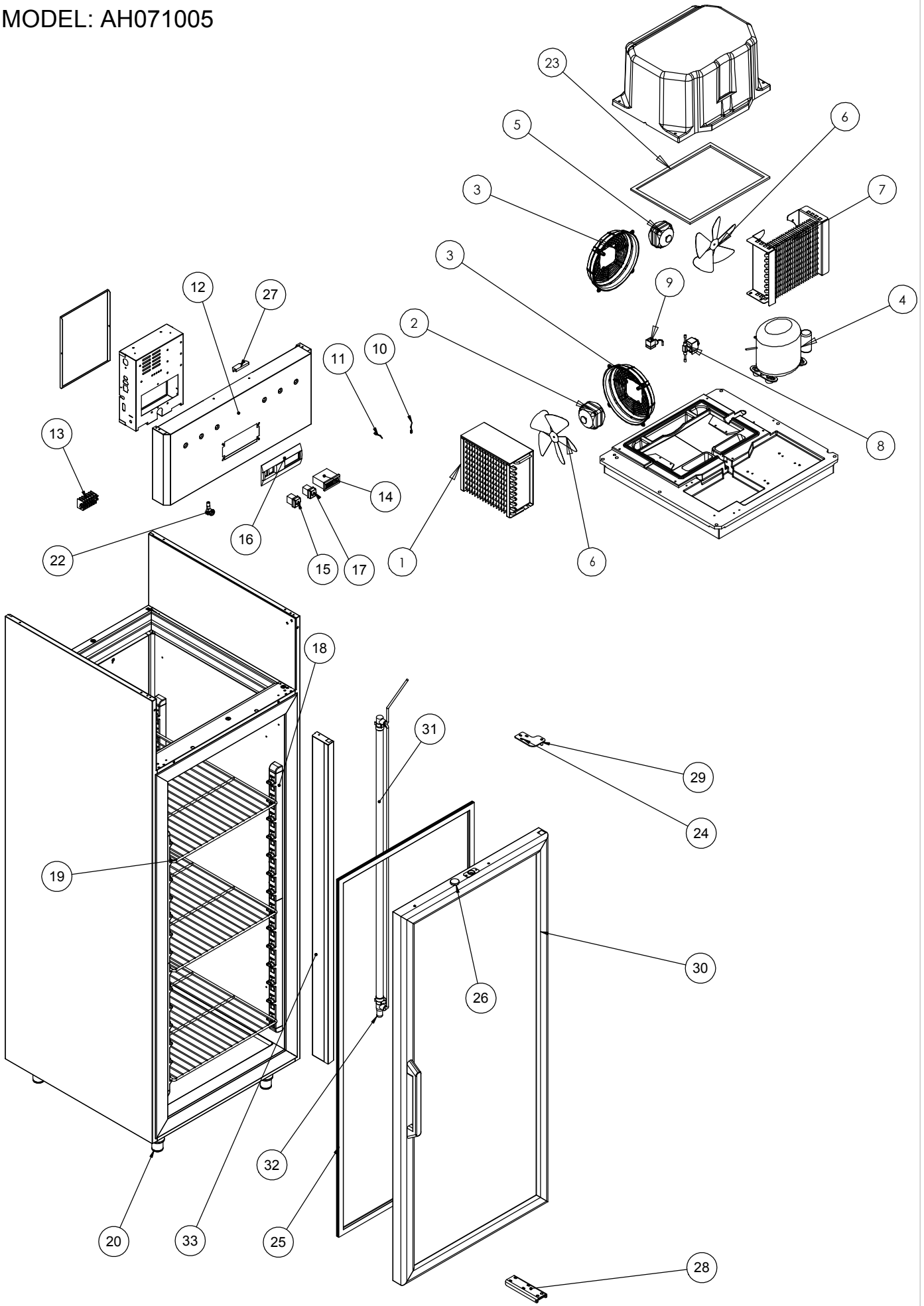


MODEL: AH071005



NR	COD	ITALIANO	ENGLISH	FRANCAIS	DEUTSCHE
1	30333	CONDENSATORE 3R 240A 10T P.A. 3,6	Condenser	Condenseur	Kondensator
2	28673	MOTOV.230V 50/60HZ 10W M4Q045-CA03-A4 CA	Ventilator	Moteur	Ventilator
3	30329	GRIGLIA CONDENSATORE 9906	Fan protection grid	Grille de protection	Schutzgitter
4	28931	COMPRESSORE ACC ML60TB 220-240V 50 Hz	Compressor	Compresseur	Kompressor
5	28672	MOTOV.230V 50/60HZ 5W M4Q045-BD01-A4 CAV	Ventilator	Moteur	Ventilator
6	18640	VENTOLA VA D.230-28 A 73811-2-3634	Fan	Hélice	Ventil
7	34008	EVAPORATORE 10 T 3R A 260 P 5	EVAPORATOR 10 T 3R A 260 P 5	Evaporateur 10 T 3R A 260 P 5	Verdampfer 10 T 3R A 260 P5
8	32347	VALV.SOLENOIDE 1/4 220V 50Hz (1028/2SE)	Solenoid valve	Valve solenoide	Solenoidventil
9	32348	BOBINA HM2 220/239 A.C.50/60Hz(9100/RA6)	Coil solenoid valve	Bobine valve solenoide	Solenoidventilspule
10	20286	SONDA TEMP. NTC 1,5mt IP65	Temperature probe	Sonde de température	Temperaturfühler
11	29657	SONDA TEMPERATURA NTC 3 MT IP65	Temperature probe	Sonde de température	Temperaturfühler
12	30332	CRUSC. 700 HARMONY	CONTROL PANEL 700 HARMONY	Panneau frontal Harmony 700lt	Front Blende Harmony 700
13	18665	REATTORE 36W CB0047	Reactor 36W	Inductance 36W	Starter 36 W
14	31384	TELET.PJ32C00000 230/50 PLACCA NERA	Telethermostat	Telethermostat	Telethermostat
15	18686	INTERRUTTORE A4 16A VERDE	A4 16A SWITCH, GREEN	Interrupteur A4 16A vert	Schalter A4 16A grün
17	18687	INTERRUTTORE A4 16A ARANCIO	A4 16A SWITCH, ORANGE	Interrupteur A4 16A orange	Schalter A4 16A orange
18	34384	CREMAGLIERA PLASTICA 1/1 700	PLASTIC RACK 1/1 700	Crémaillère plastique 1/1 700	Kunststoff-Stange 1/1 700
19	30199	GRIGLIA PLASTIF. GRIGIA GN 2/1 650x530	Plastic coated grid GN2/1 650x530	Grille plastifié GN2/1 650x530	Kunststoff Gitter GN 2/1 650x530
20	34541	"PIEDINO 2"" ABS 115/165 M10x20"	"2"" ABS FOOT 115/165 M10x20"	"Pied 2"" ABS 115/165 M10x20"	"Fuß 2"" ABS 115/165 M10x20"
24	31362	CERNIERA SUPERIORE PORTA VETRO	Upper hinge	Charnière supérieure	Set oberes Scharnier links
26	34768	UNITA' MAGNETICA Nd RESINATA ø 22	RESINED MAGNETIC UNIT Nd ø 22	Unité magnétique Nd résinée ø 22	Magneteinheit Nd geharzt ø 22
27	18762	SENSORE MAGNETICO N.O. 100W	Magnetic sensor	Capteur magnétique	Magnetsensor
28	31359	ASS. CERNIERA INFERIORE PORTA VETRO	Lower hinge	Charnière inférieure	Unteres Scharnier
29	25825	PERNO PER CERNIERA Ø8x24 P/BATT.	Pin	Pivot	Stift
30	34027	PORTA VETRO TITAN TN	GLASS DOOR TITAN TN	Porte verre titan	Glastür Titan TN
31	18659	NEON 36W G13 D.26 LUCE BIANCA	Neon 36 Watt	Neon 36 Watt	Neon 36Watt
32	18658	STARTER OSRAM DEOS ST171	STARTER MOD.DEOS ST171	STARTER MOD.DEOS ST171	STARTER MOD.DEOS ST171
33	34476	PLAFONIERA PORTE VETRO ARF 2007	CEILING LAMP ASSEMBLY FOR GLASS DOORS ARF 2007	Plafonnière porte verre arf 2007	Deckenlampe Glastüren ARF 2007