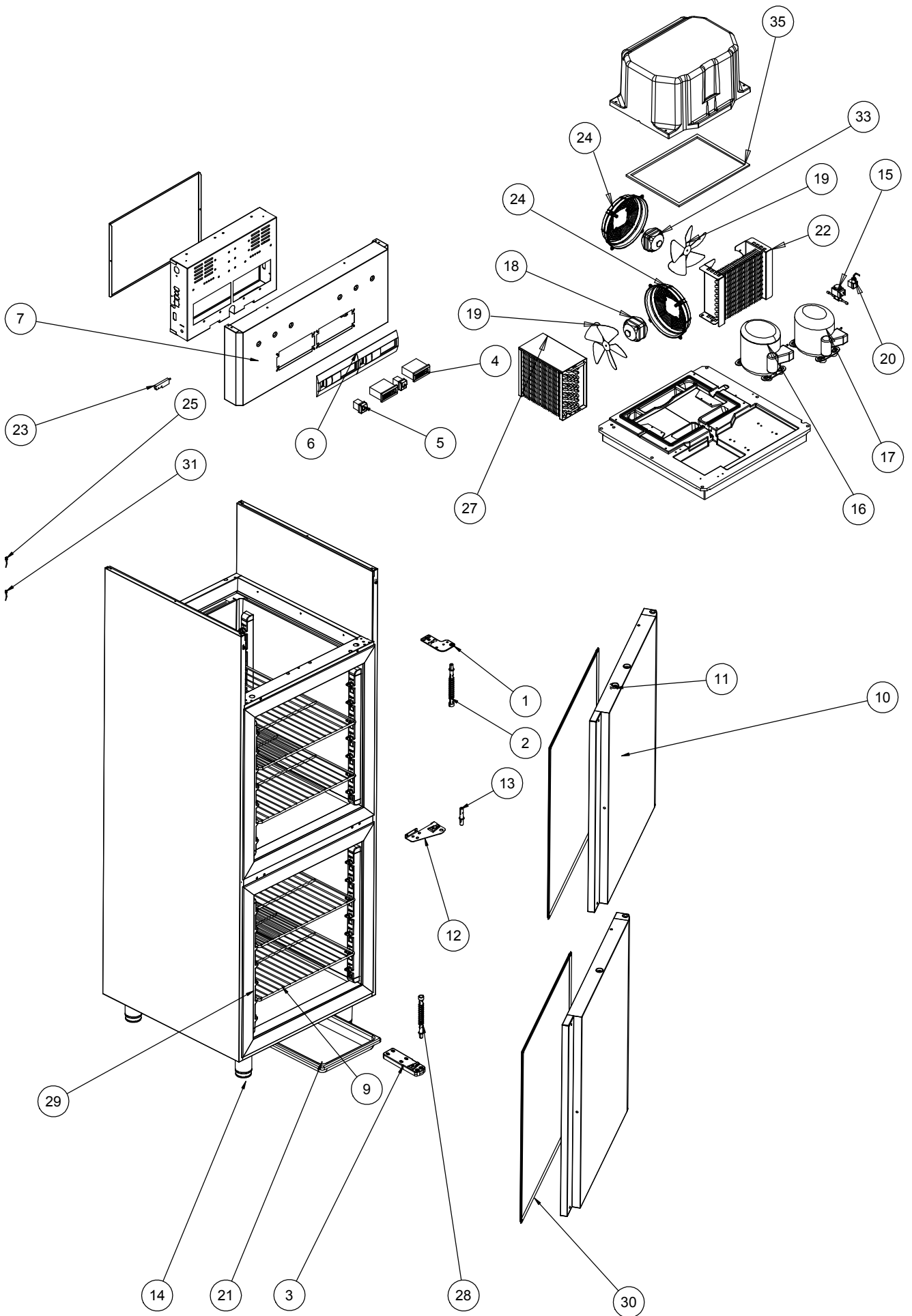


MODEL: AH071004



NR	COD	ITALIANO	ENGLISH	FRANCAIS	DEUTSCHE
1	31690	ASS.CERNIERA SUPERIORE DX ARF	Right upper hinge	Charnière superieure	Set oberes Scharnier links
2	30876	ASS. MOLLA SX ARMADI REFRIGERATI	Right spring assembly	Ensemble ressort droite	Feder-Set rechts Kühlisch
3	30874	ASS. CERNIERA INFERIORE ARMADI HARMONY	Lower hinge	Charnière inferieure	Unteres Scharnier
4	31384	TELET.PJ32C00000 230/50 PLACCA NERA	Telethermostat	Telethermostat	Telethermostat
5	18686	INTERRUPTORE A4 16A VERDE	A4 16A SWITCH, GREEN	Interrupteur A4 16A vert	Schalter A4 16A grün
7	30332	CRUSC. 700 HARMONY	CONTROL PANEL 700 HARMONY	Panneau frontal Harmony 700lt	Front Blende Harmony 700
9	30199	GRIGLIA PLASTIF. GRIGIA GN 2/1 650x530	Plastic coated grid GN2/1 650x530	Grille plastifié GN2/1 650x530	Kunststoff Gitter GN 2/1 650x530
10	34104	ASS. PORTA 350 HARMONY ARF 2007	DOOR 350 HARMONY ARF 2007	Porte 350 Harmony ARF 2007	Tür 350 Harmony ARF 2007
11	34768	UNITA' MAGNETICA Nd RESINATA ø 22	RESINED MAGNETIC UNIT Nd ø 22	Unité magnétique Nd résinée ø 22	Magneteinheit Nd geharzt ø 22
12	31282	ASS. CERNIERA INTERMEDIA 350	Right intermediate hinge	Charnière intermédiaire droite	Zwischenscharnier rechts
13	18779	PERNO CARICA MOLLA	Pin	Pivot	Stift
14	34541	"PIEDINO 2"" ABS 115/165 M10x20"	"2"" ABS FOOT 115/165 M10x20"	"Pied 2"" ABS 115/165 M10x20"	"Fuß 2"" ABS 115/165 M10x20"
15	32347	VALV.SOLENOIDE 1/4 220V 50Hz (1028/2SE)	Solenoid valve	Valve solenoide	Solenoidventil
16	32712	COMPRESSORE ACC MX18FB 230 V 50Hz	Compressor	Compresseur	Kompressor
18	28674	MOTOV.230V 50/60HZ 16W M4Q045-CF01-A4 CA	Ventilator	Moteur	Ventilator
19	18640	VENTOLA VA D.230-28 A 73811-2-3634	Fan	Hélice	Ventil
20	32348	BOBINA HM2 220/239 A.C.50/60Hz(9100/RA6)	Coil solenoid valve	Bobine valve solenoide	Solenoidventilspule
22	34008	EVAPORATORE 10 T 3R A 260 P 5	EVAPORATOR 10 T 3R A 260 P 5	Evaporateur 10 T 3R A 260 P 5	Verdampfer 10 T 3R A 260 P 5
23	18762	SENSORE MAGNETICO N.O. 100W	Magnetic sensor	Capteur magnétique	Magnetsensor
24	30329	GRIGLIA CONDENSATORE 9906	Fan protection grid	Grille de protection	Schutzgitter
25	20286	SONDA TEMP. NTC 1,5mt IP65	Temperature probe	Sonde de température	Temperaturfühler
27	30333	CONDENSATORE 3R 240A 10T P.A. 3,6	Condenser	Condenseur	Kondensator
28	30875	ASS. MOLLA DX ARMADI REFRIGERATI	Left spring assembly	Ensemble ressort gauche	Feder-Set links Kühlisch
29	26031	RESISTENZA STIPITE 700 BT 2P	Door heating element 700 BT 2P	Résistance montant 700 BT 2P	Türrahmeneizung 700 BT 2P
30	33993	GUARNIZIONE PORTA 350 ARF 2007	Door gasket 350 ARF 2007	Joint porte 350 ARF 2007	Türdichtung 350 ARF 2007
31	29657	SONDA TEMPERATURA NTC 3 MT IP65	Temperature probe	Sonde de température	Temperaturfühler
33	28673	MOTOV.230V 50/60HZ 10W M4Q045-CA03-A4 CA	Ventilator	Moteur	Ventilator
35	34481	GUARNIZIONE SOCAPRENE ø 25	SOCAPRENE GASKET ø 25	Joint en socaprène ø 25	Socaprenedichtung ø 25