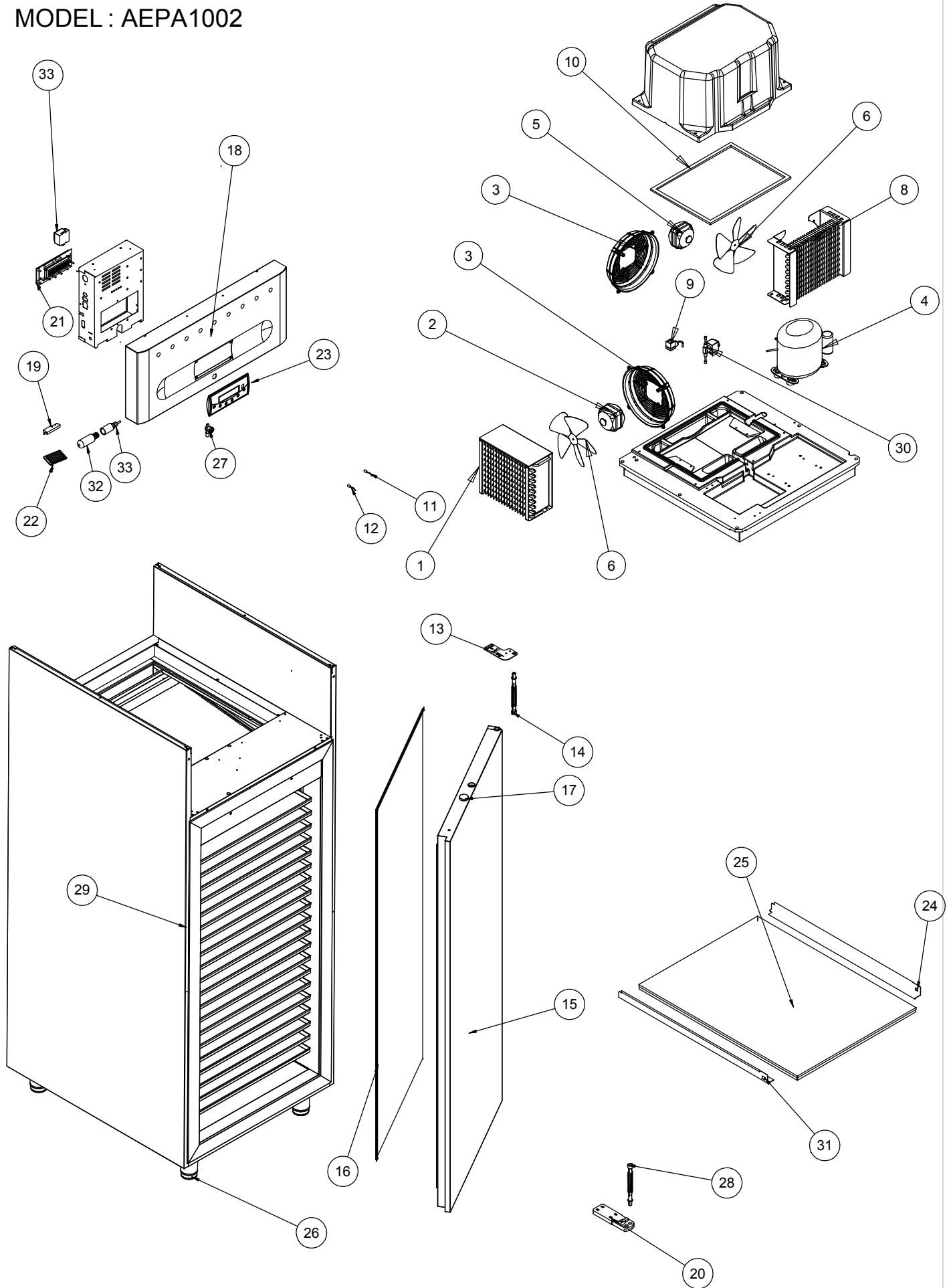


MODEL : AEPA1002



NR	COD	ITALIANO	ENGLISH	FRANCAIS	DEUTSCHE
1	30330	CONDENSATORE 4R 240A 10T P.A. 3,6	Condenser	Condenseur	Kondensator
2	27560	MOTOVENT. M4Q045-DA01-12 (18W) ZIEHL	Ventilator	Ventilateur	Ventilator
3	30329	GRIGLIA CONDENSATORE 9906	Fan protection grid	Grille de protection	Schutzgitter
4	32714	COMPRESSORE ACC MX23FB 230 V 50Hz	Compressor444	Compresseur	Kompressor
5	28673	MOTOV.230V 50/60HZ 10W M4Q045-CA03-A4 CA	Ventilator	Moteur	Ventilator
6	18640	VENTOLA VA D.230-28 A 73811-2-3634	Fan	Hélice	Ventil
8	34010	EVAPORATORE 4 T 11R A 260 P 5	EVAPORATOR 4 T 11R A 260 P 5	Evaporateur 4 T 11R A 260 P 5	Verdampfer 4 T 11R A 260 P5
9	32348	BOBINA HM2 220/239 A.C.50/60Hz(9100/RA6)	Coil solenoid valve	Bobine valve solenoide	Solenoidventilspule
10	34481	GUARNIZIONE SOCAPRENE ø 25	SOCAPRENE GASKET ø 25	Joint en socaprène ø 25	Socaprenedichtung ø 25
11	20286	SONDA TEMP. NTC 1,5mt IP65	Temperature probe	Sonde de température	Temperaturfühler
12	29657	SONDA TEMPERATURA NTC 3 MT IP65	Temperature probe	Sonde de température	Temperaturfühler
13	31690	ASS.CERNIERA SUPERIORE DX ARF	Right upper hinge	Charnière superieure	Set oberes Scharnier links
14	30876	ASS. MOLLA SX ARMADI REFRIGERATI	Right spring assembly	Ensemble ressort droite	Feder-Set rechts Kühltisch
15	33998	ASS. PORTA PA ELITE ARF 2007	DOOR PA ELITE ARF 2007	Ass. Porte 350 Elite	Tür PA Elite ARF 2007
16	33994	GUARNIZIONE PORTA PA ARF 2007	Door gasket PA ARF 2007	Joint porte PA ARF 2007	Türdichtung PA ARF 2007
17	18620	MAGNETE PO.40.016.08	MAGNET PO.40.016.08	Aimant PO 40.016.08	Magnet PO.40.016.08
18	34393	CRUSCOTTO ARMADIO PA ELITE	Front panel PA ELITE	Panneau frontal PA Elite	Front Blende PA Elite
19	18762	SENSORE MAGNETICO N.O. 100W	Magnetic sensor	Capteur magnétique	Magnetsensor
20	30874	ASS. CERNIERA INFERIORE ARMADI HARMONY	Lower hinge	Charnière inferieure	Unteres Scharnier
21	33127	CONTROLLO ELETTRONICO ELITE	Electronic card	Plateau electronique HTNX	Elektronische Karte HTNX
22	34390	VETRINO PROT.LAMPAD (100x65mm)	LIGHT SAFETY GLASS (100x65mm)	Verre prot. Lampe (100 x 65 mm)	Lampenschutzglas (100x65mm)
23	32997	MEMBRANA CRUSCOTTO ELITE	Front cover Elite cabinet	Couvre tableau	Abdeckung
24	30840	GUIDA DX 750 ARF. PA	Right slide	Glissière droite	Rechte Fuehrung
26	34540	"PIEDINO 2"" INOX 115/165 M10x20"	" 2"" STAINLESS STEEL FOOT 115/165 M10x20"	"Pied 2""inox 115/165 M10x20"	"Fuß 2"" Edelstahl 115/165 M10x20"
28	30875	ASS. MOLLA DX ARMADI REFRIGERATI	Left spring assembly	Ensemble ressort gauche	Feder-Set links Kühltisch
29	18862	RESISTENZA STIPITE ARM.REF.BT	Door heating element	Résistance montant	Türrahmeneizung
30	32347	VALV.SOLENOIDE 1/4 220V 50Hz (1028/2SE)	Solenoid valve	Valve solenoide	Solenoidventil
31	30839	GUIDA SX 750 ARF. PA	Left slide	Glissière gauche	Linke Führung
32	18035	LAMPADA 40W	40w light bulb	Ampoule 40w	Glühlampe 40W
33	31368	PORTALAMP. C/CAVO L= 0,4 Mt.	Light holder with wiring and fairlead	Culot ampoule a/câble et fixe-câble	Lampenhalterung m.Kabel und Kabelhalterung