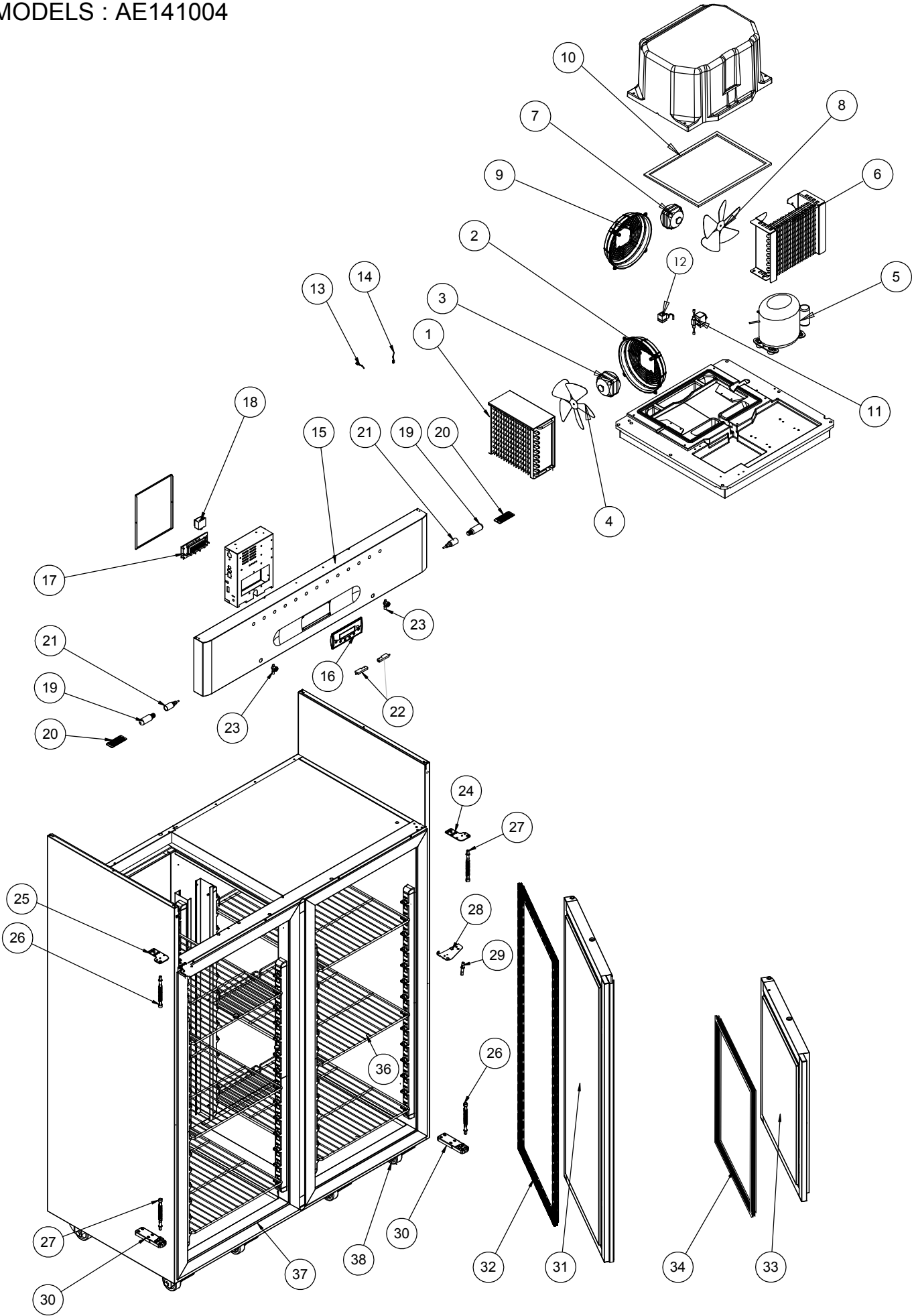


MODELS : AE141004



NR	COD	ITALIANO	ENGLISH	FRANCAIS	DEUTSCHE
1	30795	CONDENSATORE 10T 3R 510A P.A. 3,6	Condenser	Condenseur	Kondensator
2	30329	GRIGLIA CONDENSATORE 9906	Fan protection grid	Grille de protection	Schutzgitter
3	28673	MOTOV.230V 50/60HZ 10W M4Q045-CA03-A4 CA	Ventilator	Moteur	Ventilator
4	18640	VENTOLA VA D.230-28 A 73811-2-3634	Fan	Hélice	Ventil
5	31542	COMPRESSORE ACC MS30FB 230 V 50 Hz	Compressor	Compresseur	Kompressor
6	34009	EVAPORATORE 10 T 4R A 260 P 5	EVAPORATOR 10 T 4R A 260 P 5	Evaporateur 10 T 4R A 260 P 5	Verdampfer 10 T 4R A 260 P5
10	34481	GUARNIZIONE SOCAPRENE ø 25	SOCAPRENE GASKET ø 25	Joint en socaprène ø 25	Socaprenedichtung ø 25
11	32347	VALV.SOLENOIDE 1/4 220V 50Hz (1028/2SE)	Solenoid valve	Valve solenoide	Solenoidventil
12	32348	BOBINA HM2 220/239 A.C.50/60Hz(9100/RA6)	Coil solenoid valve	Bobine valve solenoide	Solenoidventilspule
13	29657	SONDA TEMPERATURA NTC 3 MT IP65	Temperature probe	Sonde de température	Temperaturfühler
14	20286	SONDA TEMP. NTC 1,5mt IP65	Temperature probe	Sonde de température	Temperaturfühler
15	34392	CRUSCOTTO ARMADIO 1400 ELITE	Front panel 1400 ELITE	Panneau frontal 1400 Elite	Front Blende 1400 Elite
16	32997	MEMBRANA CRUSCOTTO ELITE	Front cover Elite cabinet	Couvre tableau	Abdeckung
17	33127	CONTROLLO ELETTRONICO ELITE	Electronic card	Plateau électronique HTNX	Elektronische Karte HTNX
19	18035	LAMPADA 40W	40w light bulb	Ampoule 40w	Glühlampe 40W
20	34390	VETRINO PROT.LAMPADE (100x65mm)	LIGHT SAFETY GLASS (100x65mm)	Verre prot. Lampe (100 x 65 mm)	Lampenschutzglas (100x65mm)
21	31368	PORTALAMP. C/CAVO L= 0,4 Mt.	Light holder with wiring and fairlead	Culot ampoule a/câble et fixe-câble	Lampenhalterung m.Kabel und Kabelhalterung
22	18762	SENSORE MAGNETICO N.O. 100W	Magnetic sensor	Capteur magnétique	Magnetsensor
23	26447	SERRATURA GIUSSANI BOX 5 CATENACCIO TOND	Lock	Serrure	Schloß
24	31690	ASS.CERNIERA SUPERIORE DX ARF	Right upper hinge	Charnière supérieure	Set oberes Scharnier links
25	31691	ASS.CERNIERA SUPERIORE SX ARF	Left upper hinge	Charnière supérieure	Set oberes Scharnier links
26	30875	ASS. MOLLA DX ARMADI REFRIGERATI	Left spring assembly	Ensemble ressort gauche	Feder-Set links Kühltisch
27	30876	ASS. MOLLA SX ARMADI REFRIGERATI	Right spring assembly	Ensemble ressort droite	Feder-Set rechts Kühltisch
28	31282	ASS. CERNIERA INTERMEDIA 350	Right intermediate hinge	Charnière intermédiaire droite	Zwischenscharnier rechts
29	18779	PERNO CARICA MOLLA	Pin	Pivot	Stift
30	30874	ASS. CERNIERA INFERIORE ARMADI HARMONY	Lower hinge	Charnière inférieure	Unteres Scharnier
31	33987	ASS. PORTA 700 ELITE ARF 2007	DOOR 700 ELITE ARF 2007	Ass. Porte 700 elite	Tür 700 Elite ARF 2007
32	33992	GUARNIZIONE PORTA 700 ARF 2007	Door gasket 700 ARF 2007	Joint porte 700 ARF 2007	Türdichtung 700 ARF 2007
33	33997	ASS. PORTA 350 ELITE ARF 2007	DOOR 350 ELITE ARF 2007	Ass. Porte 350 Elite	Tür 350 Elite ARF 2007
34	33993	GUARNIZIONE PORTA 350 ARF 2007	Door gasket 350 ARF 2007	Joint porte 350 ARF 2007	Türdichtung 350 ARF 2007
36	30199	GRIGLIA PLASTIF. GRIGIA GN 2/1 650x530	Plastic coated grid GN2/1 650x530	Grille plastifié GN2/1 650x530	Kunststoff Gitter GN 2/1 650x530
37	18862	RESISTENZA STIPITE ARM.REF.BT	Door heating element	Résistance montant	Türrahmeneizung
38	34540	"PIEDINO 2"" INOX 115/165 M10x20"	" 2"" STAINLESS STEEL FOOT 115/165 M10x20"	"Pied 2""inox 115/165 M10x20"	"Fuß 2"" Edelstahl 115/165 M10x20"