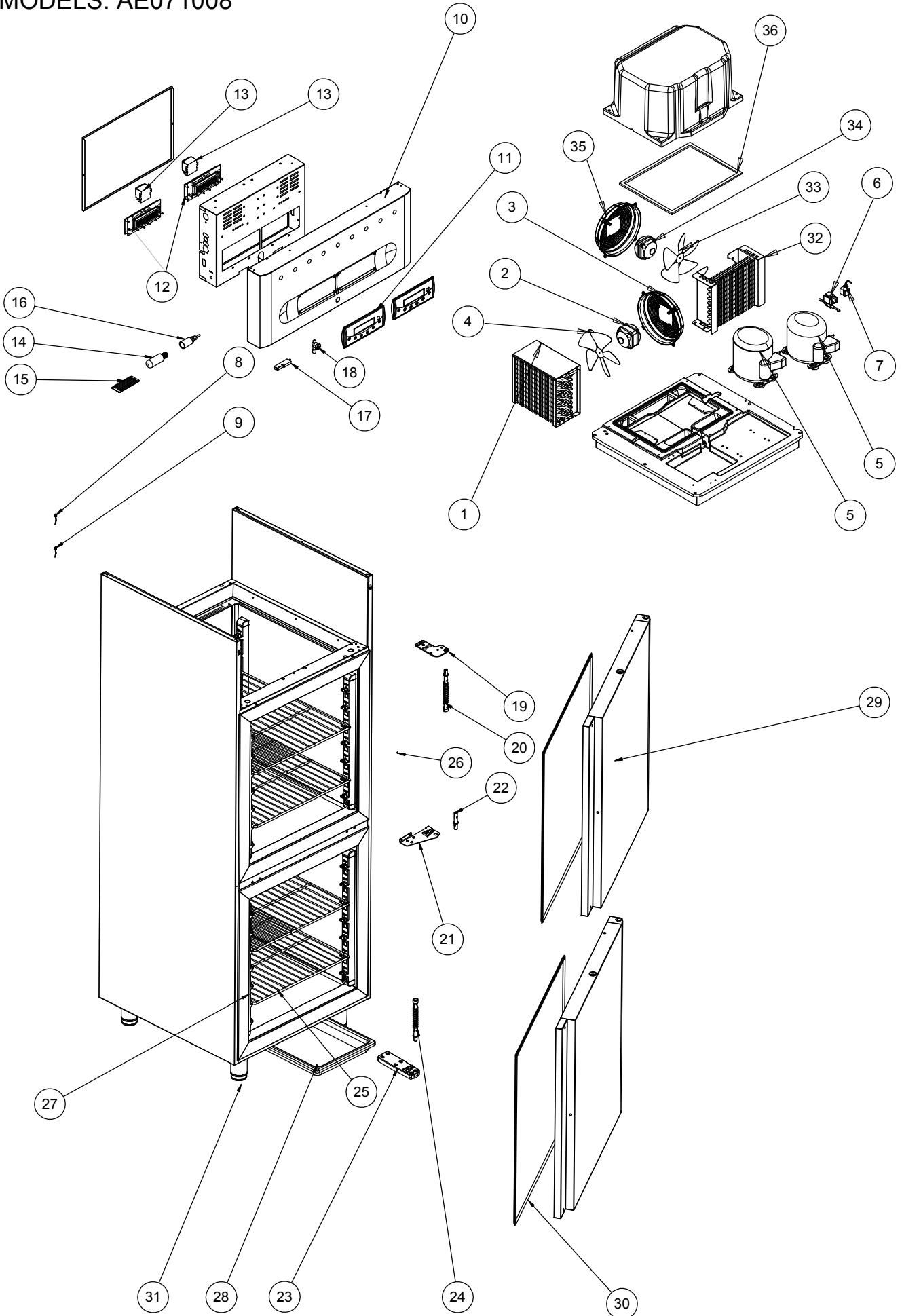


MODELS: AE071008



NR	COD	ITALIANO	ENGLISH	FRANCAIS	DEUTSCHE
1	34017	CONDENSATORE 10 T 5R 2C A 250 P 3.6	CONDENSER 10 T 5R 2C A 250 P 3.6	Condensateur 10 T 5R 2C A 250 P 3.6	Kondensator 10 T 5R 2C A 250 P 3.6
3	30329	GRIGLIA CONDENSATORE 9906	Fan protection grid	Grille de protection	Schutzgitter
4	18640	VENTOLA VA D.230-28 A 73811-2-3634	Fan	Hélice	Ventil
5	28757	COMPRESSORE ELECTROLUX ML45TB	Compressor	Compresseur	Kompressor
6	32347	VALV.SOLENOIDE 1/4 220V 50Hz (1028/2SE)	Solenoid valve	Valve solenoide	Solenoidventil
7	32348	BOBINA HM2 220/239 A.C.50/60Hz(9100/RA6)	Coil solenoid valve	Bobine valve solenoide	Solenoidventilspule
8	29657	SONDA TEMPERATURA NTC 3 MT IP65	Temperature probe	Sonde de température	Temperaturfühler
10	34395	CRUSCOTTO ARMADI ELITE 350+350	Front panel ELITE 350+350	Panneau frontal Elite 350 + 350	Front Blende Elite 350+350
11	32997	MEMBRANA CRUSCOTTO ELITE	Front cover Elite cabinet	Couvre tableau	Abdeckung
12	33127	CONTROLLO ELETTRONICO ELITE	Electronic card	Plateau électronique HTNX	Elektronische Karte HTNX
14	18035	LAMPADA 40W	40w light bulb	Ampoule 40w	Glühlampe 40W
15	34390	VETRINO PROT.LAMPAD (100x65mm)	LIGHT SAFETY GLASS (100x65mm)	Verre prot. Lampe (100 x 65 mm)	Lampenschutzglas (100x65mm)
16	31368	PORTALAMP. C/CAVO L= 0,4 Mt.	Light holder with wiring and fairlead	Culot ampoule a/câble et fixe-câble	Lampenhalterung m.Kabel und Kabelhalterung
17	18762	SENSORE MAGNETICO N.O. 100W	Magnetic sensor	Capteur magnétique	Magnetsensor
19	31690	ASS.CERNIERA SUPERIORE DX ARF	Right upper hinge	Charnière supérieure	Set oberes Scharnier links
20	30876	ASS. MOLLA SX ARMADI REFRIGERATI	Right spring assembly	Ensemble ressort droite	Feder-Set rechts Kühltisch
21	31282	ASS. CERNIERA INTERMEDIA 350	Right intermediate hinge	Charnière intermédiaire droite	Zwischenscharnier rechts
22	32082	PERNO MOLLA PORTA ARMADI	DOOR HINGE PIN	Pivot ressort porte armoires	Federstift Schranktür
23	30874	ASS. CERNIERA INFERIORE ARMADI HARMONY	Lower hinge	Charnière inférieure	Unteres Scharnier
24	30875	ASS. MOLLA DX ARMADI REFRIGERATI	Left spring assembly	Ensemble ressort gauche	Feder-Set links Kühltisch
25	30199	GRIGLIA PLASTIF. GRIGIA GN 2/1 650x530	Plastic coated grid GN2/1 650x530	Grille plastifié GN2/1 650x530	Kunststoff Gitter GN 2/1 650x530
27	31511	RESISTENZA STIPITE 230V 28W L =5130	Door heating element	Résistance montant	Türrahmeneizung
29	33997	ASS. PORTA 350 ELITE ARF 2007	DOOR 350 ELITE ARF 2007	Ass. Porte 350 Elite	Tür 350 Elite ARF 2007
30	33993	GUARNIZIONE PORTA 350 ARF 2007	Door gasket 350 ARF 2007	Joint porte 350 ARF 2007	Türdichtung 350 ARF 2007
31	34540	"PIEDINO 2"" INOX 115/165 M10x20"	" 2"" STAINLESS STEEL FOOT 115/165 M10x20"	"Pied 2""inox 115/165 M10x20"	"Fuß 2"" Edelstahl 115/165 M10x20"
32	34007	EVAPORATORE 10 T 2R A 260 P 5	EVAPORATOR 10 T 2R A 260 P 5	Evaporateur 10 T 2R A 260 P 5	Verdampfer 10 T 2R A 260 P5
34	28672	MOTOV.230V 50/60HZ 5W M4Q045-BD01-A4 CAV	Ventilator	Moteur	Ventilator
36	34481	GUARNIZIONE SOCAPRENE ø 25	SOCAPRENE GASKET ø 25	Joint en socaprène ø 25	Socaprenedichtung ø 25