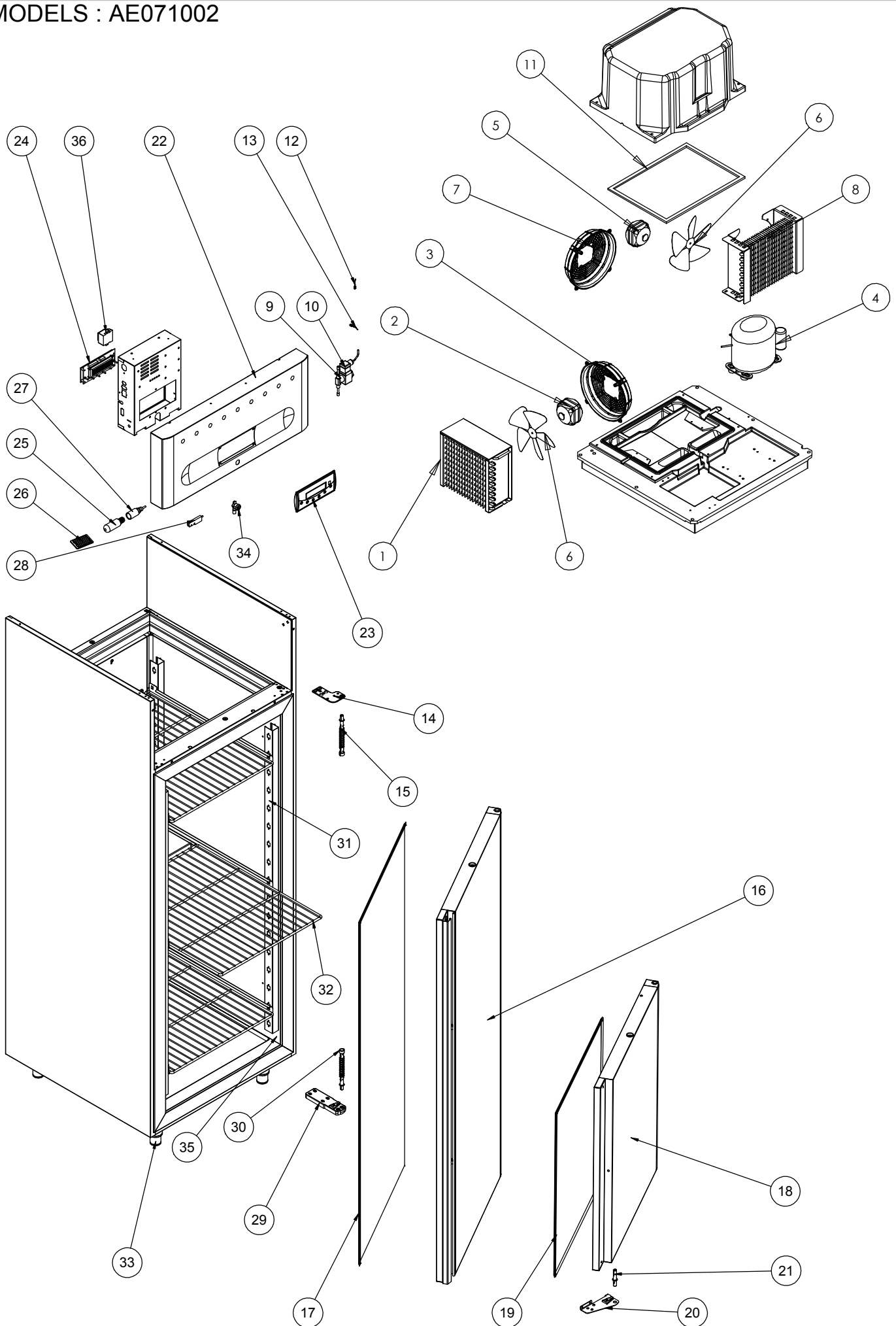


MODELS : AE071002



NR	COD	ITALIANO	ENGLISH	FRANCAIS	DEUTSCHE
1	30330	CONDENSATORE 4R 240A 10T P.A. 3,6	Condenser	Condenseur	Kondensator
2	28673	MOTOV.230V 50/60HZ 10W M4Q045-CA03-A4 CA	Ventilator	Moteur	Ventilator
3	30329	GRIGLIA CONDENSATORE 9906	Fan protection grid	Grille de protection	Schutzgitter
4	32713	COMPRESSORE ACC MX21FB 230 V 50Hz	Compressor	Compresseur	Kompressor
5	28674	MOTOV.230V 50/60HZ 16W M4Q045-CF01-A4 CA	Ventilator	Moteur	Ventilator
6	18640	VENTOLA VA D.230-28 A 73811-2-3634	Fan	Hélice	Ventil
7	28014	BOCCAGLIO CON GRIGLIA	Fan protection grid	Grille de protection	Schutzgitter
8	30317	EVAPORATORE 8 RANGHI SX.	Evaporator	Evaporateur	Verdampfer
9	32347	VALV.SOLENOIDE 1/4 220V 50Hz (1028/2SE)	Solenoid valve	Valve solenoide	Solenoidventil
10	32348	BOBINA HM2 220/239 A.C.50/60Hz(9100/RA6)	Coil solenoid valve	Bobine valve solenoide	Solenoidventilspule
11	34481	GUARNIZIONE SOCAPRENE ø 25	SOCAPRENE GASKET ø 25	Joint en socaprène ø 25	Socaprenedichtung ø 25
12	20286	SONDA TEMP. NTC 1,5mt IP65	Temperature probe	Sonde de température	Temperaturfühler
13	29657	SONDA TEMPERATURA NTC 3 MT IP65	Temperature probe	Sonde de température	Temperaturfühler
14	31690	ASS.CERNIERA SUPERIORE DX ARF	Right upper hinge	Charnière supérieure	Set oberes Scharnier links
15	30876	ASS. MOLLA SX ARMADI REFRIGERATI	Right spring assembly	Ensemble ressort droite	Feder-Set rechts Kühltisch
16	33987	ASS. PORTA 700 ELITE ARF 2007	DOOR 700 ELITE ARF 2007	Ass. Porte 700 elite	Tür 700 Elite ARF 2007
17	33992	GUARNIZIONE PORTA 700 ARF 2007	Door gasket 700 ARF 2007	Joint porte 700 ARF 2007	Türdichtung 700 ARF 2007
22	34391	CRUSCOTTO ARMADIO 700 ELITE	Front panel 700 ELITE	Panneau frontal 700 Elite	Front Blende 700 Elite
23	32997	MEMBRANA CRUSCOTTO ELITE	Front cover Elite cabinet	Couvre tableau	Abdeckung
24	33127	CONTROLLO ELETTRONICO ELITE	Electronic card	Plateau électronique HTNX	Elektronische Karte HTNX
25	18035	LAMPADA 40W	40w light bulb	Ampoule 40w	Glühlampe 40W
26	34390	VETRINO PROT.LAMPADE (100x65mm)	LIGHT SAFETY GLASS (100x65mm)	Verre prot. Lampe (100 x 65 mm)	Lampenschutzglas (100x65mm)
27	31368	PORTALAMP. C/CAVO L= 0,4 Mt.	Light holder with wiring and fairlead	Culot ampoule a/câble et fixe-câble	Lampenhalterung m.Kabel und Kabelhalterung
28	18762	SENSORE MAGNETICO N.O. 100W	Magnetic sensor	Capteur magnétique	Magnetsensor
29	30874	ASS. CERNIERA INFERIORE ARMADI HARMONY	Lower hinge	Charnière inférieure	Unteres Scharnier
30	30875	ASS. MOLLA DX ARMADI REFRIGERATI	Left spring assembly	Ensemble ressort gauche	Feder-Set links Kühltisch
31	34384	CREMAGLIERA PLASTICA 1/1 700	PLASTIC RACK 1/1 700	Crémaillère plastique 1/1 700	Kunststoff-Stange 1/1 700
32	30199	GRIGLIA PLASTIF. GRIGIA GN 2/1 650x530	Plastic coated grid GN2/1 650x530	Grille plastifié GN2/1 650x530	Kunststoff Gitter GN 2/1 650x530
33	34540	"PIEDINO 2"" INOX 115/165 M10x20"	" 2"" STAINLESS STEEL FOOT 115/165 M10x20"	"Pied 2""inox 115/165 M10x20"	"Fuß 2"" Edelstahl 115/165 M10x20"
35	18862	RESISTENZA STIPIE ARM.REF.BT	Door heating element	Résistance montant	Türrahmeneizung