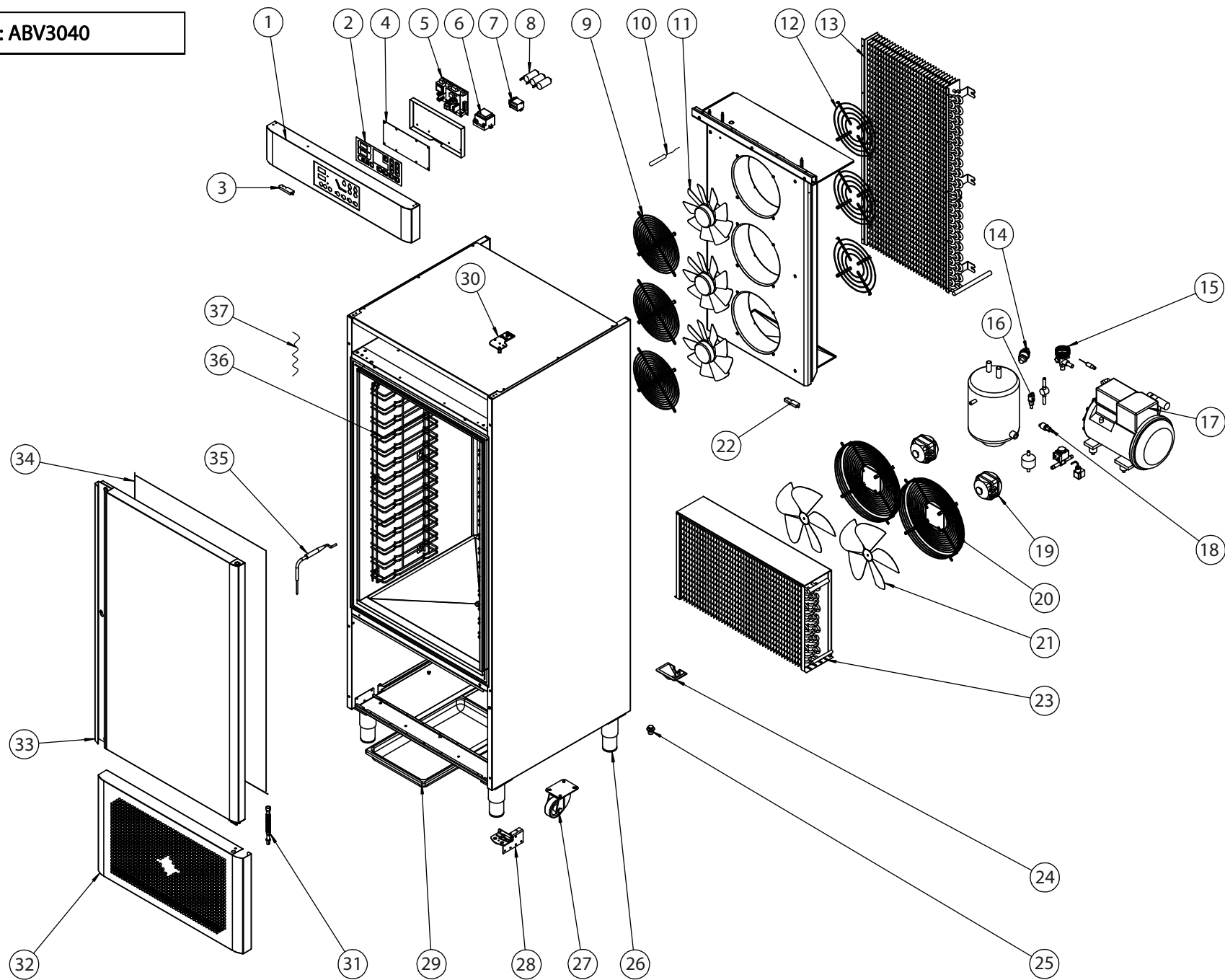


MODEL: ABV3040



NR	COD	ITALIANO	ENGLISH	FRANCAIS	DEUTSCHE
1	30539	ASS. CRUSCOTTO 10T-14 T NF	Control panel	Ensemble panneau	Set Frontblende
2	33218	MEMBRANA ABB. VERT. POSITIVO	CONTROL PLATE	Plaque de controle	Bedienfeld Schockfroster positiv
3	18762	SENSORE MAGNETICO N.O. 100W	Magnetic sensor	Capteur magnétique	Magnetsensor
4	28203	SCHEDA INTERF. ABB. VERT. (CT1MA0210000)	Interface card	Fiche interface	Schnittstellenkarte
5	32502	SCHEDA ELETT.(CT1MA0200300-CT1MA0420000)	Power board	Fiche puissance	Leistungskarte Vertikal-Schockfroster
7	26510	RELE' DI POTENZA FINDER 62.82 230V	Relays	Relais	Relais
8	31312	CONDENSATORE ELETTRICO 3uF	Condenser	Condenseur	Kondensator 240 A
9	34595	GRIGLIA PROTEZIONE VENTILATORE ø 250	VENTILATOR PROTECTION GRID ø 250	Grille protection ventilateur ø 250	Schutzgitter Ventilator ø 250
10	29799	SONDA TEMPERATURA PTC Lunghezza Cavo L=1	Temperature sensor cabinet/evaporator	Sonde temperat. Chambre/evap.	Temperaturfühler
11	31316	MOTOVENTILATORE A2E250-AL06-09	Ventilator	Moteur	Ventilator
12	34596	GRIGLIA SUPPORTO VENTILATORE ø 250	VENTILATOR SUPPORT GRID ø 250	Grille support ventilateur ø 250	Haltegitter Ventilator ø 251
13	33731	EVAPORATORE 38T 3R 450 P5 3 CIRCUITI	Evaporator	Evaporateur	Verdampfer
14	34035	VALVOLA DI SICUREZZA CASTEL 3060/23C280	SAFETY VALVE CASTEL 3060/23C280	Valve de sécurité castel 3060/23C280	Sicherheitsventil Castel 3060/23C280
15	33282	VALVOLA TERMOSTAT. TES2	Expansion valve	Valve d'expansion	Expansionventil
16	27460	PRESS. ALTA CC80W 24/19BAR 061F6073	High pressure switch	Pressostat superieur	Niederdruckniveauregler
17	33403	COMPRESSORE TFH 2511Z 400V/3N/50Hz R404a	Compressor	Compresseur	Kompressor
19	27560	MOTOVENT. M4Q045-DA01-12 (18W) ZIEHL	Ventilator	Ventilateur	Ventilator
20	27562	GRIGLIA PER VENTOLA ø300 PER FISSAGGIO M	Fan grid	Grill pour hélice	Ventil-Gitter ø300
21	27561	VENTOLA ø300 -22° ASPIRANTE	Fan	Hélice	Ventil ø300
22	30458	SENSORE MAGNETICO F800 1B DA 0 097 10W	Magnetic sensor	Capteur magnétique	Magnetsensor
23	28686	CONDENSATORE GEOM. 25x21 16T 670 AL 4R P	Condenser	Condenseur	Kondensator
26	31428	"PIEDINO 2"" INOX 115/165 C/PIASTRA 100X80"	Stainless steel foot	"Pied 2"" inox avec platine"	"Stellfuß 2"" Edelstahl 115/165 mit Befest.Platte100x80"
28	27568	CERNIERA INFERIORE ABBATTITORE 10-14 T	Lower hinge assembly	Ensemble charnière inférieure	Unteres Schamieren-Set
29	27754	ASS.BACINELLA POLISTIROLO ALIMENTARE	BASIN ASSEMBLY IN ALYMENTARY POLYSTYRENE	Ass. Bac en polystyrène alimentaire	Kunststoff Wasser-Behaelter
30	30345	CERNIERA SUP. DX. TAVOLI	Upper hinge	Charnière superieure	Oberes Scharnier links
31	14841	ASS.MOLLA DX. TAV. REFR.	Right spring assembly	Ensemble ressort droit	Feder-Set rechts
33	27579	ASS.PORTA SCHIUMATA ABB. 14 T	FOAMED DOOR ASSEMBLY BLAST CHILLER	Ass. Porte écumée	Geschäumte Tür Schockfroster 14 T
34	27573	GUARNIZIONE PORTA ABBATTITORE 14 T	Door gasket	Joint magnétique porte	Türdichtung
35	30599	SONDA SPILLONE ABBATTITORE L=1.2	Core probe	Sonde à coeur	Kerntemperaturfühler
36	30494	PORTATEGLIE ABBATTITORE 14T NF	Trays support ABB.14T	Porte bacs ABB.14T	Führungen für Backbleche
37	27956	RESISTENZA CORNICE PORTA L=4900 ( L.Z.CA	Door heating element	Résistance montant	Türrahmeneizung