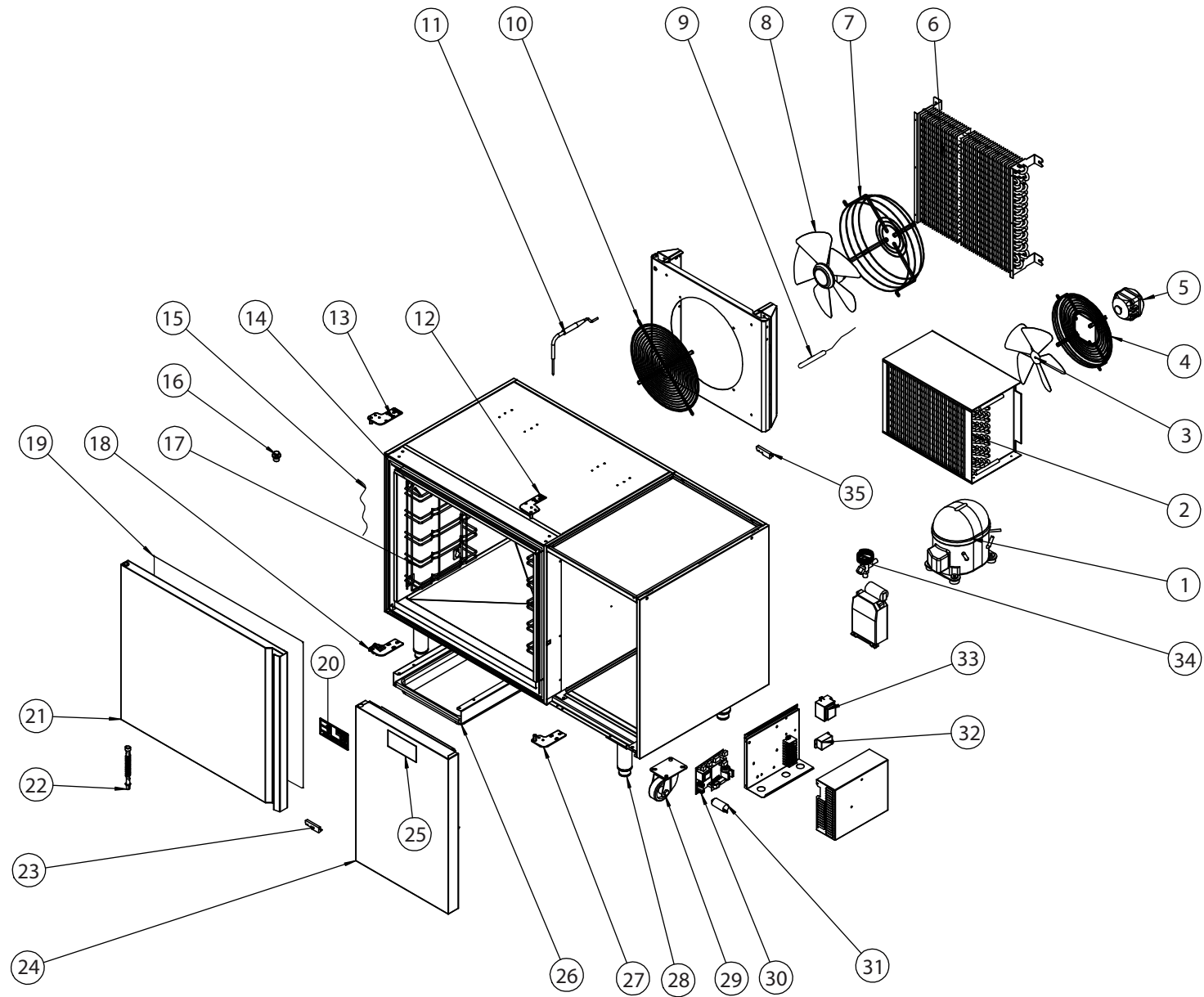


MODEL: ABOP3001-2-3



NR	COD	ITALIANO	ENGLISH	FRANCAIS	DEUTSCHE
1	32714	COMPRESSORE ACC MX23FB 230 V 50Hz	Compressor444	Compresseur	Kompressor
2	27404	COND.GEOM.25x21 12T 380 AI 5R 3,6P	Condenser	Condenseur	Kondensator
3	27405	VENTOLA D. 254 -28° ASPIRANTE	Fan	Hélice	Ventil
4	27407	GRIGLIA D.254 PER FISS.MOTORE	Grid to fix the motor	Grille pour le fixage moteur	Halter für Motor
5	27560	MOTOVENT. M4Q045-DA01-12 (18W) ZIEHL	Ventilator	Ventilateur	Ventilator
6	33743	EVAP. 18T 3R 450 P5 2 CIRCUITI	Evaporator	Evaporateur	Verdampfer
7	30222	BOCCAGLIO ø315 BOCC.315/3327 DIS.PR0082	Fan protection grid	Grille de protection	Schutz Gitter
8	31311	MOTOVENTILATORE A4E315-AC08-19	Ventilator	Moteur	Ventilator
9	27474	SONDA TEMPERATURA PTC Lunghezza Cavo L=3	Temperature probe	Sonde de température	Temperaturfühler
10	30223	GRIGLIA FRONTALE ø315 Cod. PR0081	Frontal panel grating ø315 Cod. PR0081	Grille frontal	Frontgitter
11	30599	SONDA SPILLONE ABBATTITORE L=1.2	Core probe	Sonde à coeur	Kerntemperaturfühler
12	33653	CERNIERA SUP. V. TECNICO TAR ABB.	Upper hinge	Charnière superieure droite	Scharnier rechts
13	27349	ASS.CERNIERA SUPER.PORTA	Upper hinge assembly	Ensemble charnière supérieure	Oberes Tuerscharnier-Set
14	18144	CONTROMAGNETE PER PROF.PVC REMOV.	COUNTERMAGNET FOR REMOV. PVC PR	Contre-aimant pour prof PVC amov.	Gegenmagnet für abnehmbares PVC-Profil
15	27417	RESISTENZA STIPITE L=6000 (L.Z.CALDA=260	Door heating element	Résistance montant	Türrahmeneizung
16	18483	PERNO AGGANCIO CREMAGL. OTTONE NIC.	RACK PIN IN NICKEL BRASS	Pivot accrochage crémail. laiton	Stangenstift Messing vernickelt
17	30492	PORTATEGLIE ABBATTITORE ORIZZONTALE	Trays support ABB.5T	Porte bacs ABB.5T	Führungen für Backbleche
18	27348	ASS.CERNIERA INFERIORE SX TAR	Lover left hinge assembly	Ensemble charnière inférieure gauche	linkes Scharnier-Set
19	27375	GUARNIZ. PORTA TAVOLO ABB.700/800	Door Gasket	Joint magnétique porte	Tuer-Dichtung
20	28707	SCHEDA INTERF. PROGR. ABB. CT1MA0210001	Interface card	Fiche interface	Schnittstellenkarte
21	30293	ASS. BOMBATO PORTA ABB.ORIZZONTALE	DOOR ASSEMBLY FOR COUNTER BLAST	Ass. porte ab. Horizontal	Tür -Set komplett
22	14842	ASS.MOLLA SX. TAV. REFR.	Left spring assembly	Ensemble ressort gauche	Feder-Set links
23	18762	SENSORE MAGNETICO N.O. 100W	Magnetic sensor	Capteur magnétique	Magnetsensor
24	33657	CRUSCOTTO ABBATTITORE TAVOLO ILSA	Front panel	Panneau frontal	Front Blende
25	32465	MEMBRANA ABB. ORIZZ. MISTO	Control plate	Plaque de controle	Bedienfeld Eisschrank
26	27754	ASS.BACINELLA POLISTIROLO ALIMENTARE	BASIN ASSEMBLY IN ALYMENTARY POLY	Ass. Bac en polystyrène alimentaire	Kunststoff Wasser-Behaelter
27	32080	CERNIERA INF. SX TAR ECONOMICI	Lower left hinge assembly	Ensemble charniere inf.gouche	Set unteres Scharnier links
28	31426	"PIEDINO REG. 1""1/4 H=140/190 C/PIASTRA"	Foot assembly	"Ens. pied 1""1/4"	"Set Stellfuß 1""1/4 H=140/190 TAR"
30	32502	SCHEDA ELETT.(CT1MA0200300-CT1MA0420000)	Power board	Fiche puissance	Leistungskarte Vertikal-Schockfroster
31	31312	CONDENSATORE ELETTRICO 3uF	Condenser	Condenseur	Kondensator 240 A
32	27597	RELE' T92P7A22-240 PANEL COMPONENT	Relay	Relais	Relais
33	30605	TRASF. 165/M 20VA 230V/12V ABB.	Transformer	Transformateur	Transformator
34	34658	VALV. TERMOSTATICA TS2	EXPANSION VALVE TS2	Valve thermostatique TS2	Thermostatventil TS2
35	30458	SENSORE MAGNETICO F800 1B DA 0 097 10W	Magnetic sensor	Capteur magnétique	Magnetsensor