

ARMADI REFRIGERATI
UPRIGHT REFRIGERATORS
ARMOIRES REFRIGERE'S

Spare parts list • *Catalogo ricambi*
Catalogues pièces détachées



AT30
NTV - BTV
NTB - BTV/2

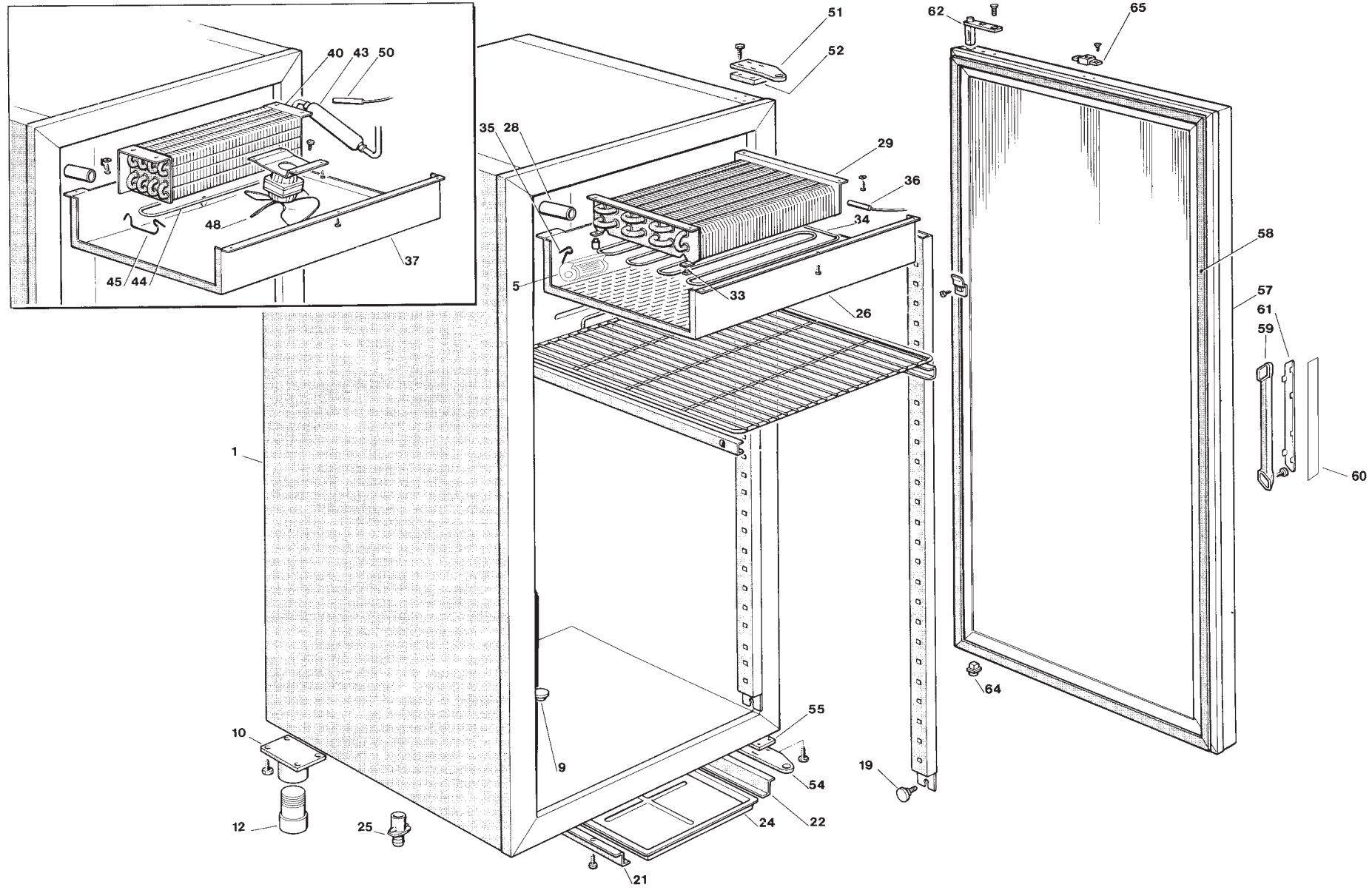
W70
NTV - LTV
NTB - LTV/2

Cod. 71510202/0 - 07/2000

R134 - R404

LTV - NTV - BTV

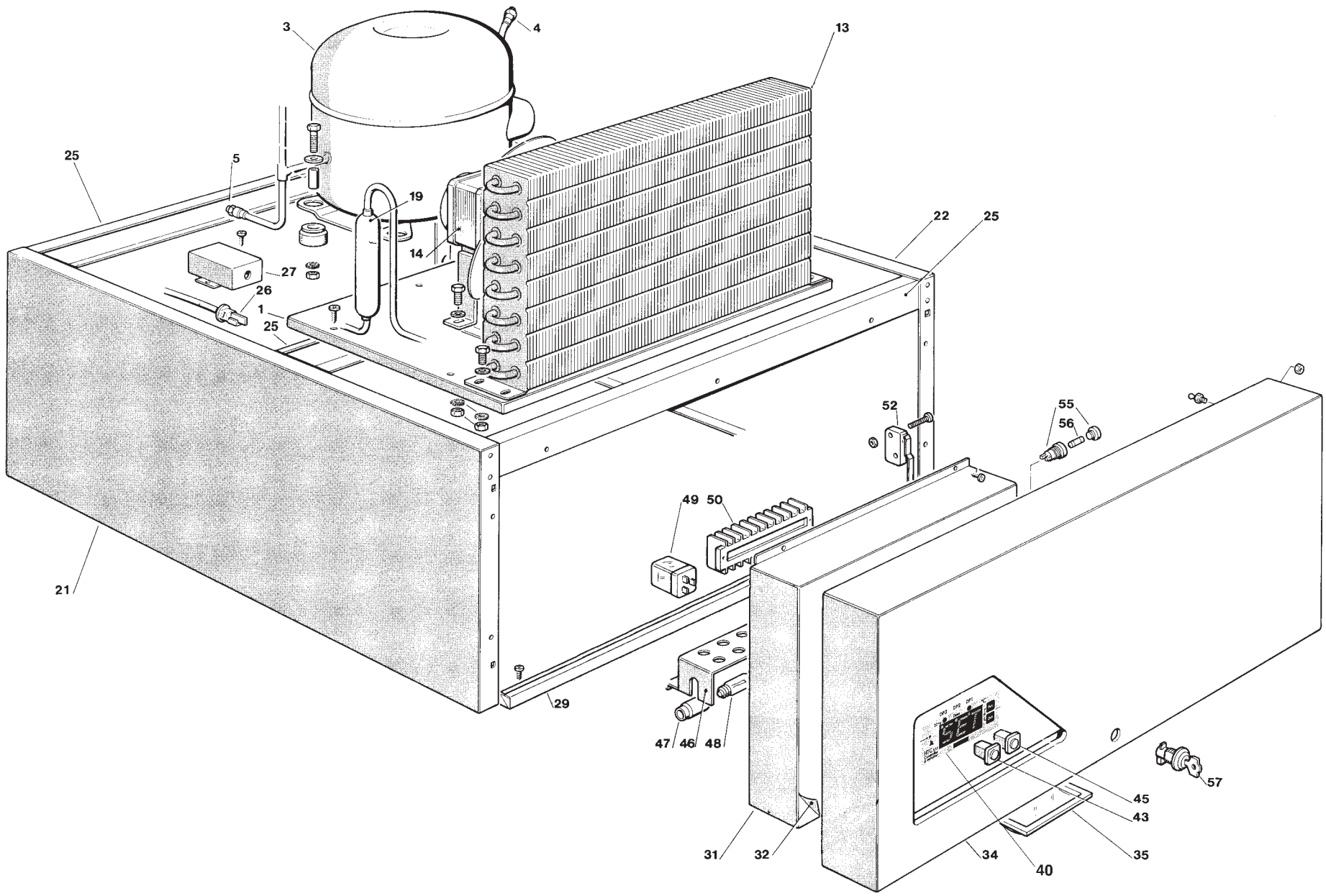
NTB



GRUPPO MOBILE
BODY ASSEMBLY
GROUPE MEUBLE

Pos. Nr.	Codice Code	Descrizione	Description	Description	Quantità Q.ty Q.té
1	81500905/0	ASSIEME MOBILE LTV/NTV/BTV INOX	DISPLAT ASS'Y LTV/NTV/BTV STAINLESS STEEL	ENSEMBLE MEUBLE LTV/NTV/BTV ACIER INOXIDABLE	1
1C	81500907/0	ASSIEME MOBILE NTB INOX	DISPLAT ASS'Y NTB S/S	ENSEMBLE MEUBLE NTB INOX	1
1D	81500925/0	ASSIEME MOBILE LTV/2 - BTV/2	DISPLAT ASS'Y LTV/2 - BTV/2S/S	ENSEMBLE MEUBLE LTV/2 - BTV/2 INOX	1
5	18562064/0	ELETTOVENTILATORE NTB	FAN MOTOR NTB	VENTILATEUR NTB	1
9	28320502/0	TAPPO	CAP	BOUCHON	1
10	81502138/0	SUPPORTO PIEDINO	SUPPORT FOOT	SUPPORT PIED	4
12	19490020/0	PIEDINO	LEVELLIN FOOT	PIED	4
19	19950004/0	VOLANTINO	GRIP	POIGNEE	4
21	28179993/0	GUIDA SINISTRA	LEFT SUPPORT	SUPPORT GUACHE	1
22	28179992/0	GUIDA DESTRA	RIGHT SUPPORT	SUPPORT DROIT	1
24	28300013/0	RACCOGLICONDENSA	TRAY FOR DEFROSTING WATER	PLATEAU POUR EAU DE DEGIVRAGE	1
25	28314963/0	SCARICO	DRAIN PIPE	ECOULEMENT EAU	1
26	81502104/0	GOCCIOLATOIO	DRIPPING TRAY	EGOUTTOIR	1
28	28340259/0	TUBO SCARICO	FRAIN PIPE	TUYAY ECOULEMENT	1
29	19040407/0	EVAPORATORE NTB	EVAPORATOR NTB	EVAPORATEUR NTB	1
31-33	33575032/0	RESISTENZA SCARICO 25W	DISCHARGE RESISTANCE - 25W	RESISTANCE D'ECOULEMENT - 25W	1
34	33570535/0	RESISTENZA SBRINAMENTO NTB	DEFROSTING RESISTANCE NTB	RESISTANCE DEGIVRAGE NTB	1
35	28210820/0	MOLLA	SPRING	RESSORT	2
37	81502101/0	GOCCIOLATOIO	DRIPPING TRAY	EGOUTTOIR	1
40	19040406/0	EVAPORATORE NTV	EVAPORATOR NTV	EVAPORATEUR NTV	1
40A	19040405/0	EVAPORATORE LTV-BTV	EVAPORATOR LTV-BTV	EVAPORATEUR LTV-BTV	1
41	19797016/0	TERMOSTATO SICUREZZA	SAFETY THERMOSTAT	THERMOSTAT DE SECURITÉ	1
43	19000003/0	ACCUMULATORE NTV/LTV/BTV	EXCHANGER NTV/LTV/BTV	ACCUMULATEUR NTV/LTV/BTV	1
44	33575034/0	RESISTENZA SBRINAMENTO NTV	DEFROSTING RESISTANCE NTV	RESISTANCE DEGIVRAGE NTV	1
44A	33575030/0	RESISTENZA SBRINAMENTO LTV/BTV	DEFROSTING RESISTANCE LTV/BTV	RESISTANCE DEGIVRAGE LTV/BTV	1
45	28210817/0	MOLLA	SPRING	RESSORT	2
48	18562065/0	ELETTOVENTILATORE	ELECTRIC FAN	ELECTROVENTILATEUR	1
51	28294990/0	SUPPORTO	SUPPORT	SUPPORT	1
52	28051028/0	DISTANZIALE	SPACER	ENTRETOISE	1
54	28294983/0	SUPPORTO	SUPPORT	SUPPORT	1
55	28051029/0	DISTANZIALE	SPACER	ENTRETOISE	1
57	81506027/0	ASSIEME PORTA W70 INOX	DOOR ASS'Y W70 S/S	ENSEMBLE PORTE W70 INOX	1
57A	81567051/0	ASSIEME PORTA AT30 INOX	DOOR ASS'Y AT30 S/S	ENSEMBLE PORTE AT30 INOX	1
57B	81506036/0	ASSIEME PORTA SUP. W70 LTV/2	UPPER DOOR ASS'Y W70 LTV/2 S/S.	ENSEMBLE PORTE SUP. W70 LTV/2 INOX	1
57C	81567067/0	ASSIEME PORTA SUP. AT30 BTV/2	UPPER DOOR ASS'Y AT30 BTV/2 S/S	ENSEMBLE PORTE SUP. AT30 BTV/2 INOX	1
57E	81567071/0	ASSIEME. PORTA INF AT30 BTV/2	LOWER DOOR ASS'Y AT30 BTV/2 S/S	ENSEMBLE PORTE INF. AT30 BTV/2 INOX	1
57D	81506044/0	ASSIEME PORTA INF. W70 LTV/2	LOWER DOOR ASS'Y W70 LTV/2 S/S	ENSEMBLE PORTE INF. W70 LTV/2 INOX	1
58	28175017/0	GUARNIZIONE MAGNETICA	MAGNETIC GASKET	JOINT MAGNETIQUE	1
58A	28175018/0	GUARNIZ. PORTA PER LTV/2 - BTV2	MAGNETIC DOOR GASKET FOR LTV/2 - BTV2	JOINT MAGNETIQUE PORTE LTV/2 - BTV2	2
59	28190005/0	MANIGLIA	HANDLE	POIGNEE	1
60	2646360/0	RINFORZO INOX PER MANIGLIA	S/S REINFORCE FOR HANDLE	REINFORCEMENT INOX POUR POIGNEE	1
61	28040018/0	COPRIMANIGLIA	HANDLE INSERT	ENJOLIVEUR	1
62-64	19120054/0	CERNIERA	HINGE	CHARNIERE	1
65	28000222/0	AGGANCIO SERRATURA	COUPLER FOR LOCK	CROCHET POUR SERRURE	1
65A	28000023/0	AGGANCIO SERRATURA PORTA INFERIORE LTV/2 - BTV/2	COUPLER FOR LOWER DOOR LOCK LTV/2 - BTV/2	CROCHET POUR SERRURE D'ENSEMBLE PORTE INF. LTV/2 - BTV/2	1

GRUPPO UNITÀ CONDENSATRICE E CRUSCOTTO
 CONDENSING UNIT AND ELECTRICAL PANEL ASSEMBLY
 GROUPE DE CONDENSATION ET TABLEAU DE BORD



Pos. Nr.	Codice Code	Descrizione	Description	Description	Quantità Q.ty Q.té
1	28000902/0	BASAMENTO NTV/NTB	BASE W 70 NTV/NTB	BASE W 70 NTV/NTB	1
1A	28000093/0	BASAMENTO LTV/BTV	BASE W 70 LTV/BTV	BASE W 70 LTV/BTV	1
3	19165548/0	COMPR. NTB/NTV - R134A	COMPR. NTB/NTV - R134A	COMPR. NTB/NTV - R134A	1
3A	19165854/0	COMPRESSORE NTB - R404	COMPRESSOR NTB - R404	COMPRESSEUR NTB - R404	1
3B	19165499/0	COMPRESSORE LTV/BTV - R404	COMPRESSOR LTV/BTV - R404	COMPRESSEUR LTV/BTV - R404	1
4-5	19864900/0	VALVOLA DI CARICA	CHARGE VALVE	VANNE DE CHARGE	1
13	19177505/0	CONDENSATORE NTV/NTB	CONDENSER NTV/NTB	CONDENSATEUR NTV/NTB	1
13A	19177053/0	CONDENSATORE LTV/BTV	CONDENSER LTV/BTV	CONDENSATEUR LTV/BTV	1
14	18562498/0	ELETTROVENTILATORE NTV/NTB	ELECTRIC FAN NTV/NTB	ELECTROVENTILATEUR NTV/NTB	1
14A	18562499/0	ELETTROVENTILATORE LTV/BTV	ELECTRIC FAN LTV/BTV	ELECTROVENTILATEUR LTV/BTV	1
19	19300357/0	FILTRO DISIDRATATORE LTV/BTV	FILTER DEHYDRATOR LTV/BTV	FILTRE DESHYDRATEUR LTV/BTV	1
19A	19300802/0	FILTRO DISIDRATATORE NTV/NTB	FILTER DEHYDRATOR NTV/NTB	FILTRE DESHYDRATEUR NTV/NTB	1
20	81503310/0	ASS. SCAMBIATORE NTB - R134A	EXCHANGER ASS'Y NTB - R134A	ENESEMBLE ECHANGEUR NTB - R134A	1
20A	81503314/0	ASSIEME SCAMBIATORE NTB - R404	EXCHANGER ASS'Y NTB	ENESEMBLE ECHANGEUR NTB	1
20B	81503313/0	ASSIEME SCAMBIATORE LTV/BTV	EXCHANGER ASS'Y LTV/BTV	ENESEMBLE ECHANGEUR LTV/BTV	1
20C	81503306/0	ASSIEME SCAMBIATORE NTV - R134	EXCHANGER ASS'Y - NTV - R134	ENESEMBLE ECHANGEUR - NTV - R134	1
21	28060073/0	FIANCO SINISTRO	LEFT SIDE	COTÉ GAUCHE	1
22	28060072/0	FIANCO DESTRO	RIGHT SIDE	COTÉ DROIT	1
25	28329975/0	TRAVERSA SUPERIORE	UPPER CROSSPIECE	TRAVERSE SUPERIEURE	3
26	33320524/0	FISSACAVO	CLAMP	FIXAGE CABLE	1
27	28040038/0	COPERCHIO	COVER	COUVECLE	1
29	28312037/0	RIGA APPOGGIO	SUPPORT	SUPPORT	1
31	81503020/0	PANNELLO COMANDI	FRONT PANEL	TABLEU DE BORD	1
32	19262599/0	ETICHETTA W 70 NTV	LABEL W 70 NTV	ETIQUETTE W 70 NTV	1
32A	19262594/0	ETICHETTA W 70 LTV-LTV/2	LABEL W 70 LTV-LTV/2	ETIQUETTE W 70 LTV-LTV/2	1
32B	19262600/0	ETICHETTA W 70 NTB	LABEL W 70 NTB	ETIQUETTE W 70 NTB	1
32C	19262602/0	ETICHETTA AT30 NTB	LABEL AT30 NTB	ETIQUETTE AT30 NTB	1
32D	19262601/0	ETICHETTA AT30 NTV	LABEL AT30 NTV	ETIQUETTE AT30 NTV	1
32E	19262596/0	ETICHETTA AT30 BTV-BTV/2	LABEL AT30 BTV-BTV/2	ETIQUETTE AT30 BTV-BTV/2	1
34	81501059/0	ASSIEME CRUSCOTTO W 70 NTV	PANEL ASS'Y W 70 NTV	ENSEMBLE TABLEAU W 70 NTV	1
34A	81501058/0	ASSIEME CRUSCOTTO W 70 LTV - LTV/2	PANEL ASS'Y W 70 LTV - LTV/2	ENSEMBLE TABLEAU W 70 LTV - LTV/2	1
34B	28294960/0	ASSIEME CRUSCOTTO W 70 NTB	PANEL ASS'Y W 70 NTB	ENSEMBLE TABLEAU W 70 NTB	1
34C	81567054/0	ASSIEME CRUSCOTTO AT30 NTB	PANEL ASS'Y AT30 NTB	ENSEMBLE TABLEAU AT30 NTB	1
34D	81567056/0	ASSIEME CRUSCOTTO AT30 NTV	PANEL ASS'Y AT30 NTV	ENSEMBLE TABLEAU AT30 NTV	1
34E	81567055/0	ASSIEME CRUSCOTTO AT30 BTV - BTV/2	PANEL ASS'Y AT30 BTV - BTV/2	ENSEMBLE TABLEAU AT30 BTV - BTV/2	1
35	28294960/0	PLAFONIERA	GLASS CEILING	PLAFONNIER	1
40	26117882/0	TERMOSTATO ELETTR. (HT) LTV / LTV/2 / BTV / BTV/2	EL. THERMOSTAT (HT) LTV / LTV/2 / BTV / BTV/2	THERMOSTAT ELECTRONIQUE (HT) LTV / LTV/2 / BTV / BTV/2	1
40A	26117883/0	TERMOSTATO ELETTR. (HT) NTV	EL. THERMOSTAT (HT) NTV	THERMOSTAT ELECTRONIQUE (HT) NTV	1
40B	26117886/0	TERMOSTATO ELETTR. (HT) NTB	EL. THERMOSTAT (HT) NTB	THERMOSTAT ELECTRONIQUE (HT) NTB	1
41	33580115/0	SONDA PER TERMOSTATO ELETTR. (HT) L.1,5 M.	SENSOR FOR EL. THERMOSTAT (HT) L.1,5 M.	SONDE POUR THERMOSTAT ELECTRONIQUE (HT) L.1,5 M.	1
42	19800006/0	TRASFORMATORE	TRANSFORMER	TRANSFORMATEUR	1
43	33400043/0	INTERRUTTORE BIANCO	WHITE SWITCH	INTERRUPTEUR BLANC	1
45	33400043/0	INTERRUTTORE BIANCO	WHITE SWITCH	INTERRUPTEUR BLANC	1
45A	33400014/0	INTERRUTTORE GIALLO PER LTV - LTV/2 - BTV - BTV/2	YELLOW SWITCH FOR LTV - LTV/2 - BTV - BTV/2	INTERRUPTEUR JAUNE POUR LTV - LTV/2 - BTV - BTV/2	1
46	28295071/0	PROIETTORE	DEFLECTOR	DEFLECTEUR	1
47	33500031/0	PORTALAMPADA	LAMP HOLDER	PORTE-LAMPE	1
48	33470109/0	LAMPADA	LAMP	LAMPE	1
49	19620103/0	RELE' 30A	RELAY 30A	RELAIS 30A	1
49A	19620107/0	RELE' 220/50-10A	RELAY 220/50-10A	RELAIS 220/50-10A	1
50	33489273/0	MORSETTIERA	TERMINAL BOARD	PLAQUE A'BORNES	1
52	19410205/0	MICRO-ELETTROMECCANICO	EL. MECHANICAL MICRO	MICRO ELETTRROMECHANIQUE	1
52A	33580132/0	MICROMAGNETICO	MAGNETIC MICRO	MICRO MAGNETIQUE	1
52B	19410211/0	MICRO INTERRUTTORE INF. PER LTV/2 - BTV/2	LOWER MICRO SWITCH FOR LTV/2 - BTV/2	MICRO-INTERRUPTEUR POUR LTV/2 - BTV/2	1
55	81503030/0	PORTAFUSIBILE	FUSE HOLDER	PORTE-FUSIBLE	1
56	33340011/0	FUSIBILE 1 AMP.	FUSE 1 AMP.	FUSIBILE 1 AMP.	1
57	19680653/0	SERRATURA	LOCK	SERRURE	1