

Icematic®

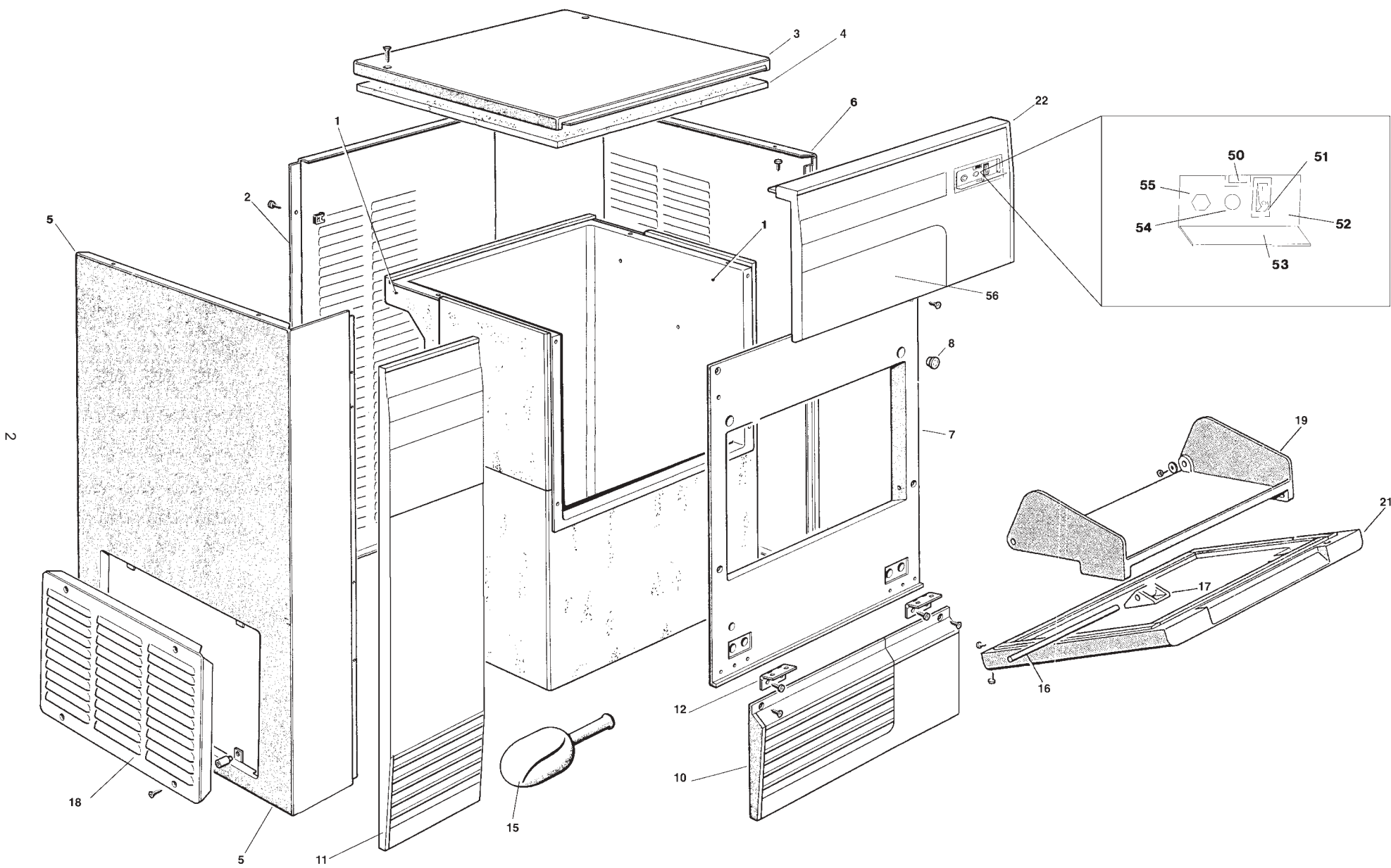
Spare parts list • *Catalogo ricambi*
Catalogues pièces détachées



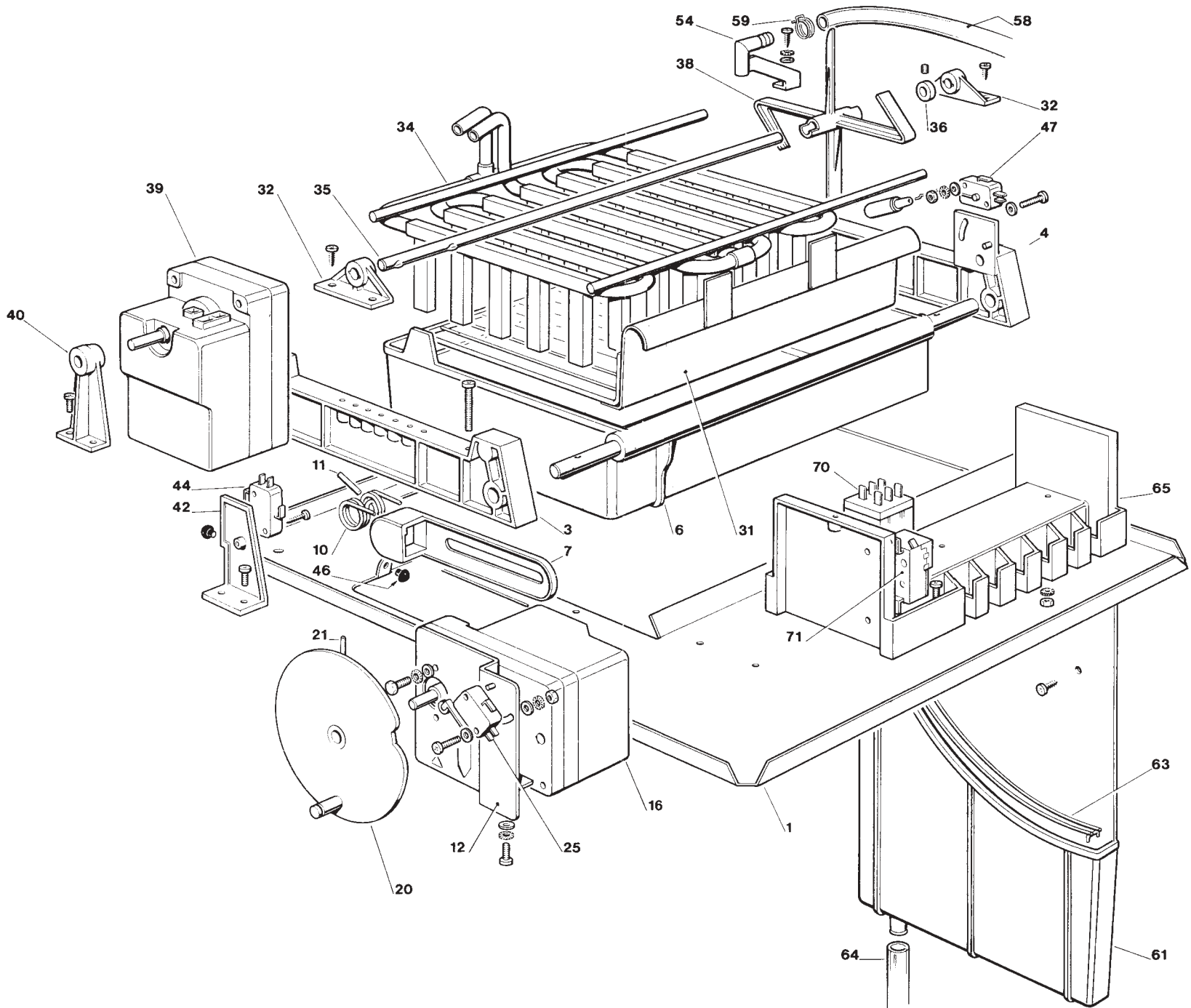
Cod. 71503593/0 - 02/2004

N45L

R134a



Pos. Nr.	Codice Code	Description	Descrizione	Description	Quantità Q.ty Q.tè
1	81414463/0	ICE BIN	ASSIEME CONTENITORE	ENSEMBLE	1
2	25550819/0	BACK PANEL INOX	PANNELLO POSTERIORE INOX	PANNEAU ARRIERE INOX	1
2A	25550815/0	BACK PANEL ST	PANNELLO POSTERIORE ST	PANNEAU ARRIERE ST	1
3	25161168/0	COVER INOX	COPERCHIO INOX	COUVERCLE INOX	1
3A	25161169/0	COVER ST	COPERCHIO ST	COUVERCLE ST	1
4	25550819/0	INSULATOR PANEL	PANNELLO ISOLANTE	PANNEAU ISOLANT	1
5	25330817/0	LEFT SIDE INOX	FIANCO SINISTRO INOX	PANNEAU GAUCHE INOX	1
5A	25330818/0	LEFT SIDE ST	FIANCO SINISTRO ST	PANNEAU GAUCHE ST	1
6	25330814/0	RIGHT SIDE INOX	FIANCO DESTRO INOX	PANNEAU DROITE INOX	1
6A	25330815/0	RIGHT SIDE ST	FIANCO DESTRO ST	PANNEAU DROITE ST	1
7	25165499/0	FRAME	CORNICE	CORNICHE	1
8	41109519/0	MAGNET	MAGNETE	MAGNETO	2
10	25610103/0	PANEL	PRESA D'ARIA	PANNEAU	1
11	25550816/0	LEFT FRONT PANEL	PANNELLO ANTERIORE SINISTRO	PANNEAU AVANT GAUCHE	
12	19120050/0	HINGE	CERNIERA	CHARNIERE	2
15	19500100/0	ICE SCOOP	PALETTA	PELLE A GLACE	1
16	25030019/0	SHAFT	ALBERINO	ARBRE	1
17	25726279/0	SUPPORT	SUPPORTO	SUPPORT	2
18	28295031/0	LATERAL AIR INTAKE INOX	PRESA D'ARIA LATERALE INOX	PRISE D'AIR LATERAL INOX	
18A	25610055/0	LATERAL AIR INTAKE ST	PRESA D'ARIA LATERALE ST	PRISE D'AIR LATERAL ST	
19	25260472/0	DOOR DEFLECTOR	DEFLETTORE	DEFLECTEUR	1
21	81401650/0	COMPLETE DOOR	ASSIEME PORTA	PORTE COMPLETE	1
21-A	25600188/0	DOOR	PORTA	PORTE	1
22	25175226/0	FRONT PANEL	CRUSCOTTO	PANNEAU FRONTAL	
50	19120434/0	PUSH LOCK	CHIUSURA PUSH	FERMETURE "PUSH"	1
51	33400053/0	GREEN LUMINOUS SWITCH	INTERRUTTORE LUMINOSO VERDE	COMMUTATEUR LUMINEUX VERT	1
52	25570459/0	CONTROL SUP. PLATE AIR COOLED VERS.	PIASTRA SUPP. COM. AIR VERSION	PLAQUE SUPP. COMM. - VERS. AIR	1
52A	25570460/0	CONTROL SUP. PLATE WATER COOLED VERS.	PIASTRA SUPP. COM. WATER VERSION	PLAQUE SUPPORT COMM. - VERS. EAU	1
53	25161138/0	COVER BOX CONTROL	COPERCHIO COMANDI	COUVERCLE	1
54	33470507/0	RED LIGHT ALLARM	SPIA LUMINOSA ROSSA	ALARME LUMINEUX ROUGE	1
55	19797028/0	SAFETY THERMOSTAT WATER VERS.	TERMOSTATO DI SIC. VERS. ACQUA	THERMOSTAT	1
56	25352502/0	FRONTAL PANEL FOR BLUE VERS.	FRONTALINO PER VERSIONE BLU	PETIT PANNEAU FRONTAL VERS. BLEUE	1
56A	25352503/0	FRONTAL PANEL FOR STAINLESS STEEL VERS.	FRONTALINO PER VERSIONE INOX	PETIT PANNEAU FRONTAL VERSION INOX	1
-	25740082/0	STAINLESS STEEL LABEL N45L	ETICHETTA DENOM. N45L INOX	ETIQUETTE INOX N45L	
-	25740081/0	LABEL N45L ST	ETICHETTA DENOM. N45L ST	ETIQUETTE N45L ST	



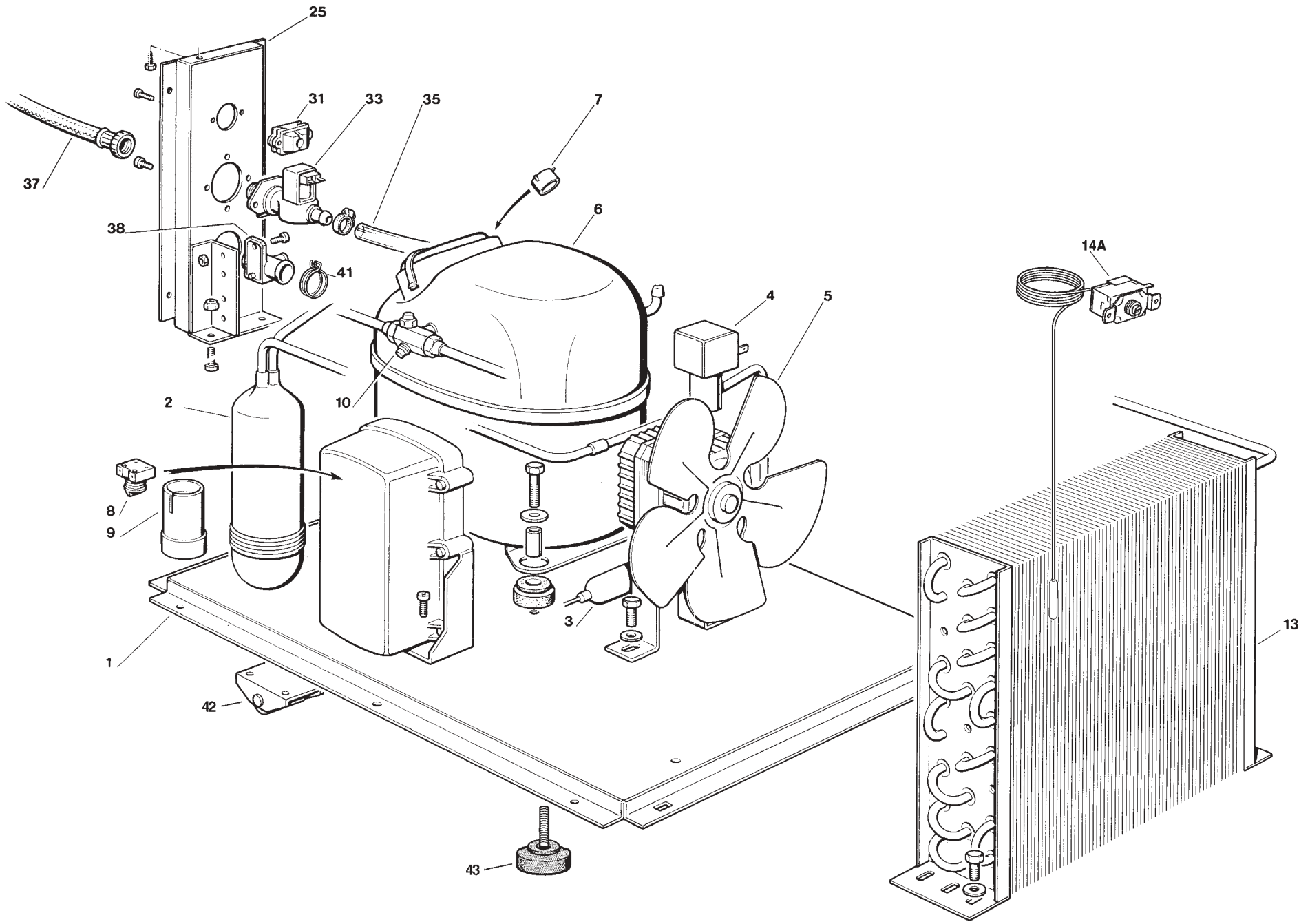
GRUPPO EVAPORATORE
ICE MAKING MECHANISM
GROUP EVAPORATEUR

Icematic

N 45 L

002

Pos. Nr.	Codice Code	Description	Descrizione	Description	Quantità Q.ty Q.tè
1	25745128/0	EVAPORATOR FRAME	TELAIO EVAPORATORE	SUPPORT DE L'EVAPORATEUR	1
3	25726121/0	SUPPORT	SUPPORTO EVAPORATORE	SUPPORT	1
4	25726122/0	SUPPORT	SUPPORTO EVAPORATORE	SUPPORT	1
6	81414467/0	PAN ASS'Y	ASS. BACINELLA CON LEVA	ENSEMBLE CUVETTE	1
6A	81414468/0	PAN	BACINELLA	CUVETTE	1
7	25440110/0	LEVER	LEVA	LEVIER	1
10	25474602/0	SPRING	MOLLA	RESSORT	1
11	25560256/0	GUDGEON	PERNO	PIVOT	1
12	25725429/0	SUPPORT	SUPPORTO	SUPPORT	1
16	81404024/0	MOTOR/SUPPORT/CAMMICRO ASS'Y	ASSIEME MOTORIDUTTORE/ DISCO/ SUPPORTO/ MICRO	ENSEMBLE MOTOREDUCTEUR/ SUPPORT/ CAME/ MICRO	1
20	25260000/0	CAM	DISCO	CAME	1
21	12639300/0	PIN	SPINA	GOUPILLE	1
25	19410209/0	MICRO	MICRO	MICRO	1
31	81413031/0	DEFLECTOR	CONVOGLIATORE	CONVOYEUR	1
32	25726115/3	PADDLE SHAFT SUPPORT	SUPPORTO ALBERO PALETTE	SUPPORT ARBRE PALETTES	2
34	81412031/0	EVAPORATOR	EVAPORATORE	EVAPORATEUR	1
35A	25030023/0	PADDLE SHAFT	ALBERO PALETTE	ARBRE PALETTES	1
36	25110914/0	BUSH	BUSSOLA	DOUILLE	2
38A	25545520/2	PADDLE	PALETTA	PALETTE	6
39	19440059/0	PADDLE MOTOR	MOTORIDUTTORE PALETTE	MOTOREDUCTEUR DES PALETTES	1
40	25725433/0	SUPPORT	SUPPORTO MOTORIDUTTORE	SUPPORT	1
42	25525419/0	SUPPORT	SUPPORTO	SUPPORT	1
44	19410209/0	MICRO	MICRO	MICRO	1
47	81409179/0	MICRO/ FLOAT BALL ASS'Y	ASS. MICRO GALLEGGIANTE	ENSEMBLE MICRO/ FLOTTEUR	1
54	25300000/0	WATER INLET TUB	RACCORDO ENTRATA ACQUA	TUYAU ENTREE EAU	1
58	25790620/0	TUBE	TUBO H2O	TUYAU	1
59	19280700/0	CLAMP	FASCETTA	BANDE	1
61	25820080/0	PAN	VASCETTA RECUPERO	BAC	1
63	81410690/0	GRID	GRIGLIA	GRILLE	1
64	25790604/0	DRAIN PIPE	TUBO SCARICO	TUYAU D'ECOULEMENT	1
70	19620107/0	RELAY	RELÈ	RALIS	1
71	19797017/0	BIN THERMOSTAT	TERMOSTATO DEPOSITO	THERMOSTAT CONTENEUR	1



UNITÀ CONDENSATRICE AD ARIA
 AIR CONDENSING UNIT
 UNITE DE CONDENSATION A AIR

Icematic

N 45 L

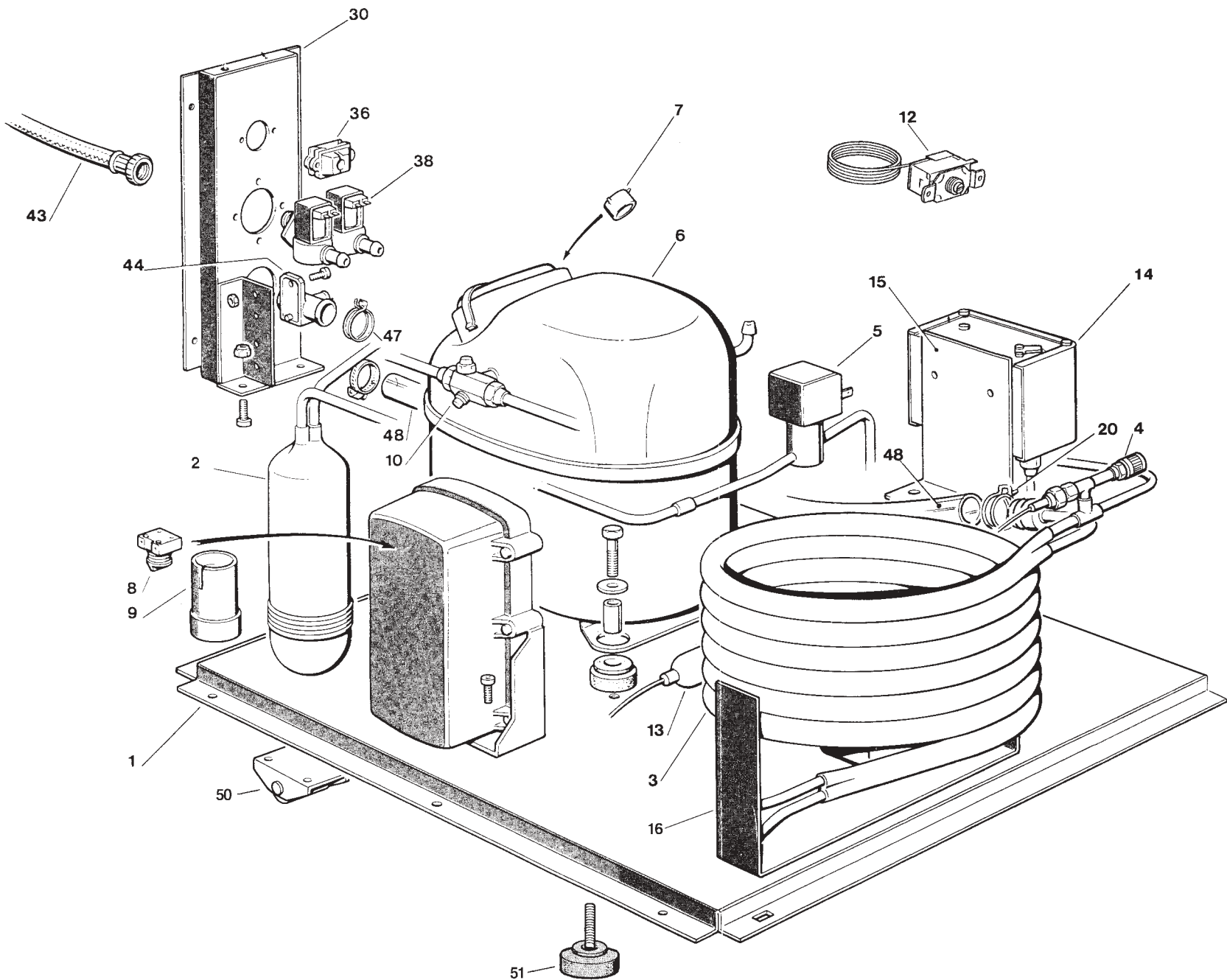
Pos. Nr.	Codice Code	Description	Descrizione	Description	Quantità Q.ty Q.tè
1	81414479/0	BASE	ASSIEME BASAMENTO	CHASSIS	1
2	81418390/0	EXCHANGER ASS'Y R134a	ASSIEME SCAMBIATORE R134a	ECHANGEUR R134a	1
3	19300802/0	DRIER R134a	FILTRO R134a	DESHYDRATEUR R134a	1
4	19863033/0	GAS VALVE	VALVOLA GAS	VANNE DE GAZ	1
5	18562496/0	FAN MOTOR R134a	ELETTOVENTILATORE R134a	VENTILATEUR R134a	1
5A	18740023/0	BLADE	VENTOLA	HELICE
6	19165548/0	COMPRESSOR GL 90TB R134a	COMPRESSORE GL 90TB R134a	COMPRESSOR GL 90TB R134a	1
7	19560131/0	PROTECTION R134a	PROTETTORE R134a	PROTECTEUR R134a	1
8	19618003/0	RELAY R134a	RELÈ R134a	RELAIS R134a	1
9	19180464/0	START CONDENSER R134a	CONDENSATORE DI SPUNTO R134a	CONDENSATEUR DE DEMARRAGE R134a	1
13	19177081/0	CONDENSER R134a	CONDENSATORE R134a	CONDENSEUR R134a	1
14	19797025/0	FAN THERMOSTAT	TERMOSTATO VENTILATORE	THERMOSTAT VENTILATEUR	1
25	81418352/0	SUPPORT	SUPPORTO	SUPPORT	1
31	33320253/0	CLAMP	FISSACAVO	BANDE	1
33	19864901/0	WATER VALVE	ELETTOVALVOLA H2O	VANNE EAU	1
35	25790620/0	TUBE	TUBO ACQUA	TUYAU	1
37	19810111/0	WATER INLET TUBE	TUBO ALIMENTAZIONE	TUYAU ENTREE EAU	1
37A	19350158/0	GASKET	GUARNIZIONE TUBO	GARNITURE	2
38	25690806/0	WATER DRAIN PIPE	SCARICO ACQUA	ECOULEMENT MACHINE	1
41	19281324/0	CLAMP	FASCETTA	BANDE	1
42	81500130/0	RULLO	WHEEL	ROUTE	4
43	81502119/0	LEVELLING FOOT	PIEDINO	PIED	4

UNITÀ CONDENSATRICE AD ACQUA
WATER CONDENSING UNIT
UNITE DE CONDENSATION A EAU

Icematic

N 45 L W

004



Pos. Nr.	Codice Code	Description	Descrizione	Description	Quantità Q.ty Q.tè
1	81414479/0	BASE	BASAMENTO	CHASSIS	1
2B	81418391/0	EXCHANGER ASS'Y r134a	ASSIEME SCAMBIATORE r134a	ECHANGERU r134a	1
3	81414457/0	CONDENSER	CONDENSATORE	CONDENSATEUR	1
4	19864900/0	CHARGE VALVE	VALVOLA DI CARICA	VANNE DE CHARGE	1
5	19863033/0	GAS VALVE	VALVOLA GAS	VANNE DE GAZ	1
6	19165548/0	COMPORESSOR GL 90TB-R134a	COMPRESSORE GL 90TB-R134a	COMPRESSEUR GL 90TB-R134a	1
7	19560131/0	START CONDENSER R134a.	CONDENSATORE DI SPUNTO R134a	CONDENSATEUR DE DEMARRAGE R134a	1
8	19618003/0	RELAY R134a	RELÉ R134a	RELAIS R134a	1
9	19180464/0	START CONDENSER R134a	CONDENSATORE DI SPUNTO R134a	CONDENSATEUR DE DEMARRAGE R134a	1
10	19864900/0	CHARGE VALVE	VALVOLA DI CARICA	VANNE DE CHARGE	1
12	19797023/0	SAFETY THERMOSTAT	TERMOSTATO DI SICUREZZA	THERMOSTAT DE SECURITÉ	1
13	19300802/0	DRIER R	FILTRO	DESHYDRATEUR	1
14	19550372/0	PRESSURE CONTROL 8<>10 BAR	PRESSOSTATO 8<>10 BAR	PRESSOSTAT 8<>10 BAR	1
15	25725437/0	SUPPORT	SUPPORTO	SUPPORT	1
16	25714056/0	WATER CONDENSER SUPPORT	STAFFA SUPPORTO CONDENSATORE	SUPPORT CONDENSATEUR	1
20-47	19281324/0	CLAMP	FASCETTA	BANDE	2
30	81418353/0	SUPPORT	SUPPORTO	SUPPORT	1
35	12436401/0	PLATE	PIASTRINA	PLAQUE	4
36	33320523/0	CLAMP	FISSACAVO	BANDE	1
38	19864901/0	WATER SOLENOID VALVE	ELETTROVALVOLA ACQUA	VANNE EAU	1
43	19810111/0	WATER INLETT TUBE	TUBO ALIMENTAZIONE	TUYAU ENTREE EAU	1
43A	19350158/0	GASKET FOR TUBE	GUARNIZIONE DI TUBO	GARNITURE POUR TUYAU	1
44	25690806/0	WATER DRAIN PIPE	SCARICO	ECOULEMENT MACHINE	2
48	25781513/0	OUTLET TUBE	TUBO SCARICO	TUYAU ECOULEMENT	1
50	81500130/0	RULLO	WHEEL	ROUTE	4
51	25570880/0	LEVELLING FOOT	PIEDINO	PIED	4

Castel MAC SpA

Via del Lavoro, 9 - C.P. 172
I - 31033 Castelfranco Veneto (TV) Italy
Tel. +39 0423 738452 - Fax +39 0423 722811
E-mail: service@castelmac.it
Web-site: www.castelmac.it

Cod. 71503593/0 - 02/2004

