

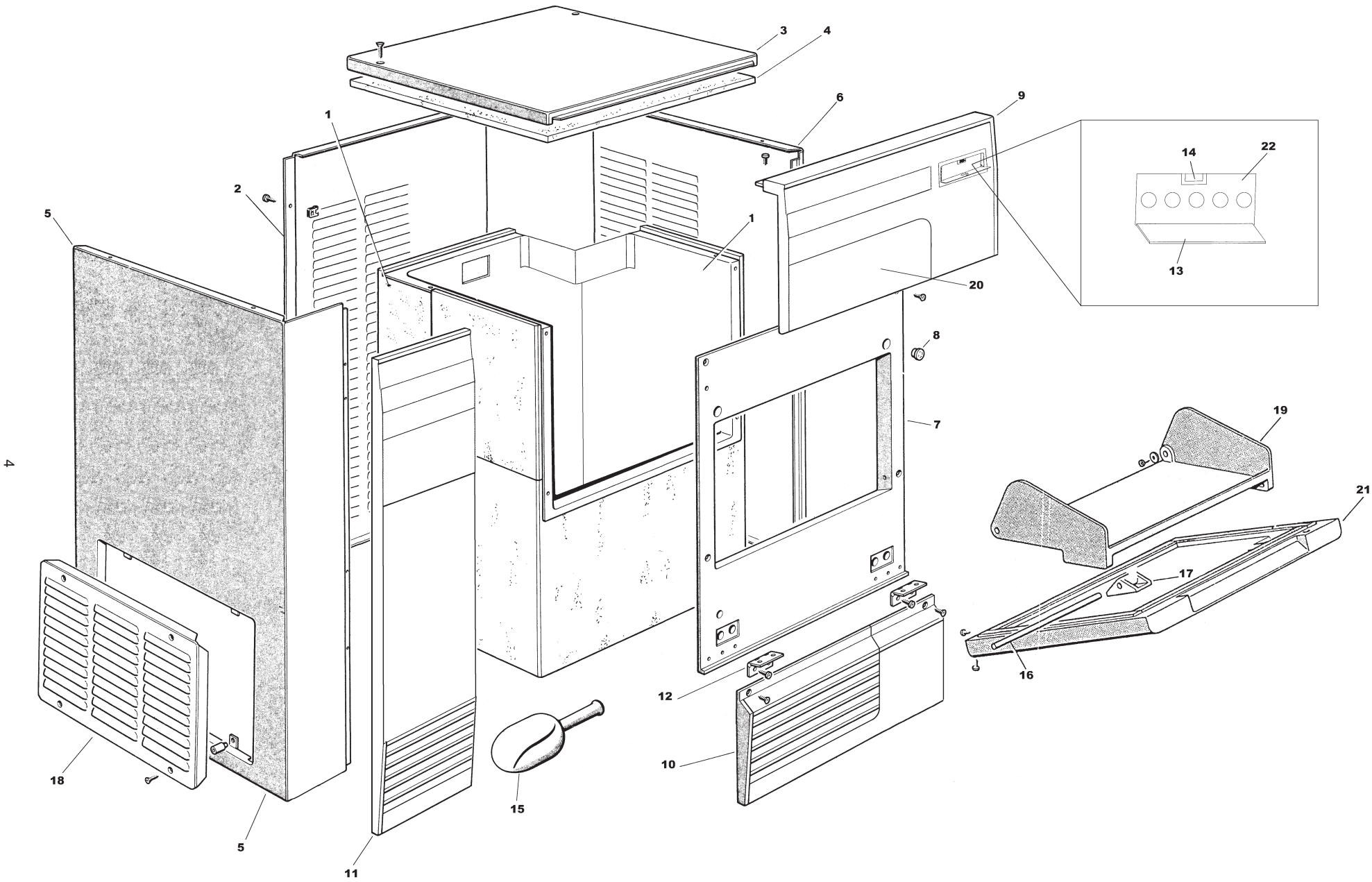
Icematic®

Spare parts list • *Catalogo ricambi*
Catalogues pièces détachées



Cod. 71503562/0 - 04/2008 - Rev.01

F80C
R134a

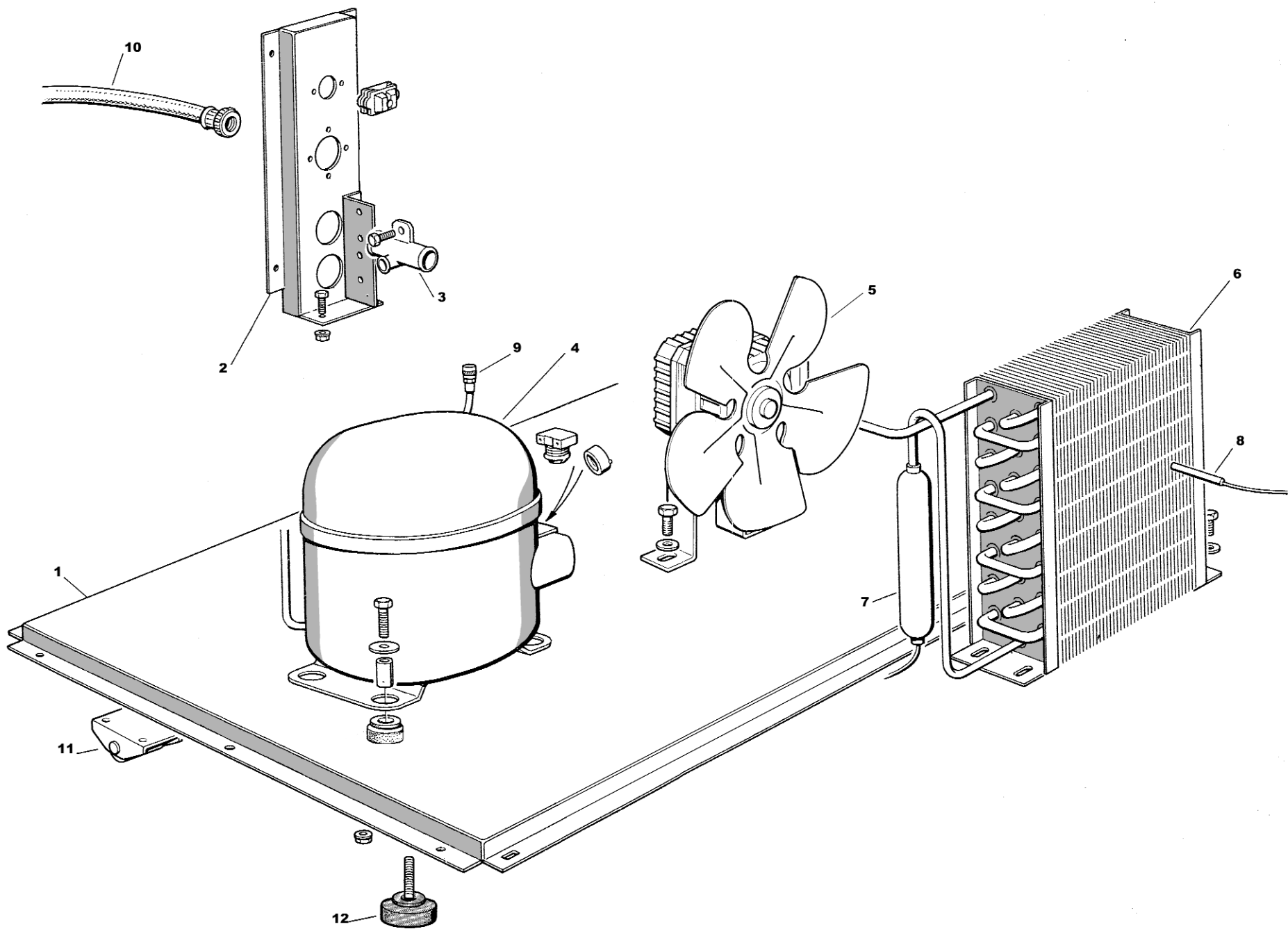


GRUPPO CARROZZERIA
 CABINET
 GROUPO CARROSSERIE

F 80 C

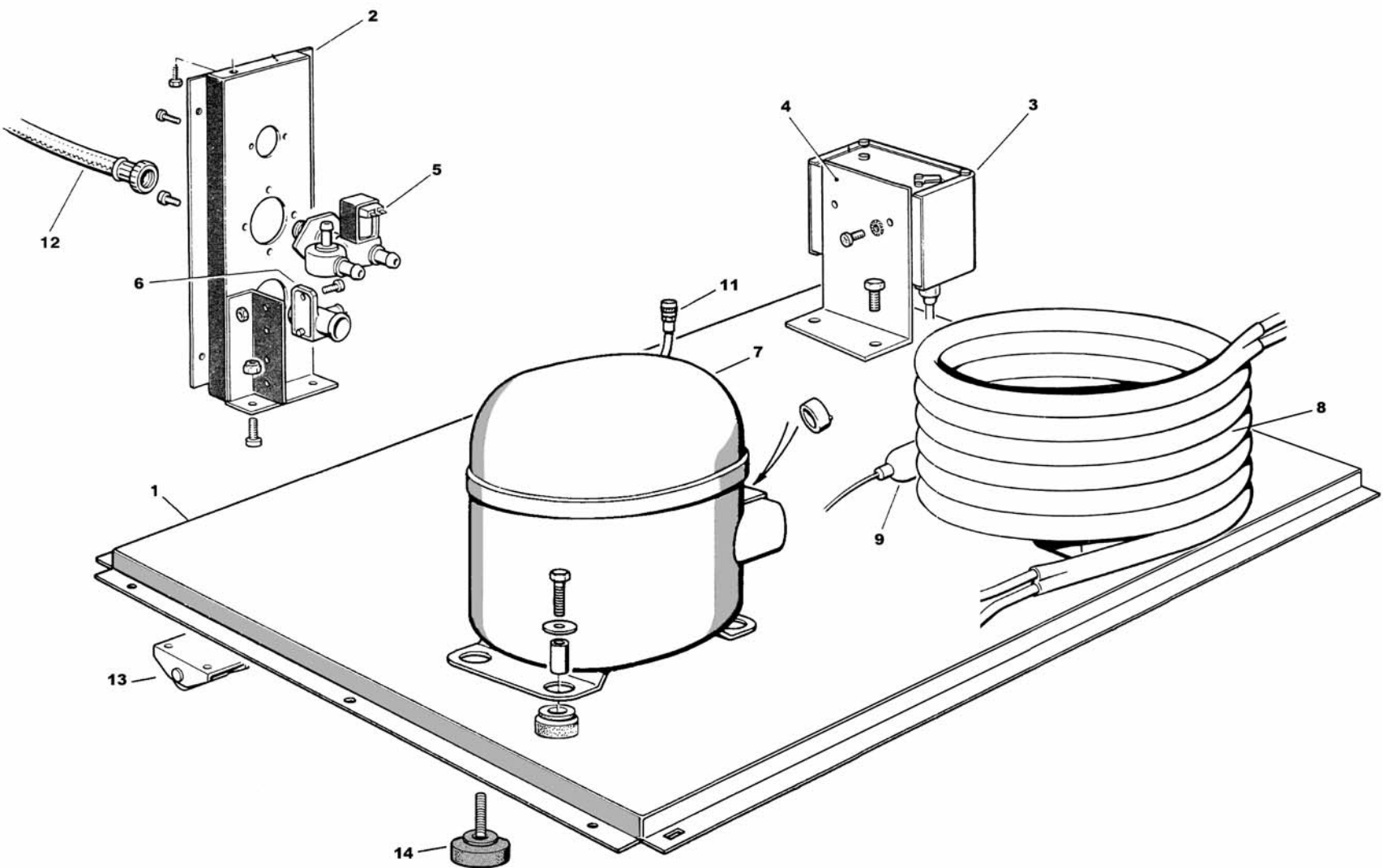
001

Pos. Nr.	Codice Code	Description	Descrizione	Description	Quantità Q.ty Q.tè
1	81414465/0	ICE BIN	ASSIEME CONTENITORE	ENESEMBLE	1
2	25550819/0	BACK PANEL INOX	PANNELLO POSTERIORE INOX	PANNEAU ARRIERE INOX	1
3	25161168/0	COVER INOX	COPERCHIO INOX	COUVERCLE INOX	1
4	25550819/0	INSULATOR PANEL	PANNELLO ISOLANTE	PANNEAU ISOLANT	1
5	25330817/0	LEFT SIDE INOX	FIANCO SINISTRO INOX	PANNEAU GAUCHE INOX	1
6	25330814/0	RIGHT SIDE INOX	FIANCO DESTRO INOX	PANNEAU DROITE INOX	1
7	25165499/0	FRAME	CORNICE	CORNICHE	1
8	41109519/0	MAGNET	MAGNETE	MAGNETO	2
9	25175226/0	FRONT PANEL	CRUSCOTTO	PANNEAU FRONTAL	1
10	25610103/0	PANEL	PRESA D'ARIA	PANNEAU	1
11	25550816/0	LEFT FRONT PANEL	PANNELLO ANTERIORE SINISTRO	PANNEAU AVANT GAUCHE	
12	19120050/0	HINGE	CERNIERA	CHARNIERE	2
13	25161138/0	COVER BOX CONTROL	COPERCHIO COMANDI	COUVERCLE	1
14	19120434/0	PUSH LOCK	CHIUSURA PUSH	FERMETURE "PUSH"	1
15	19500100/0	ICE SCOOP	PALETTA	PELLE A GLACE	1
16	25030019/0	SHAFT	ALBERINO	ARBRE	1
17	25726279/0	SUPPORT	SUPPORTO	SUPPORT	2
18	28295031/0	LATERAL AIR INTAKE	PRESA D'ARIA LATERALE	PRISE D'AIR LATERAL	
19	25260472/0	DOOR DEFLECTOR (N.V. 1997)	DEFLETTORE (N.V. 1997)	DEFLECTEUR (N.V. 1997)	1
20	25352503/0	FRONTAL PANEL FOR STAINLESS STEEL VERS.	FRONTALINO PER VERSIONE INOX	PETIT PANNEAU FRONTAL VERSION INOX	1
21	81401650/0	COMPLETE DOOR	ASSIEME PORTA	PORTE COMPLETE	1
21-A	25600188/0	DOOR	PORTA	PORTE	1
22	19262827/0	LEDS LABEL	ETICHETTA LEDS	ETIQUETTE LED	1



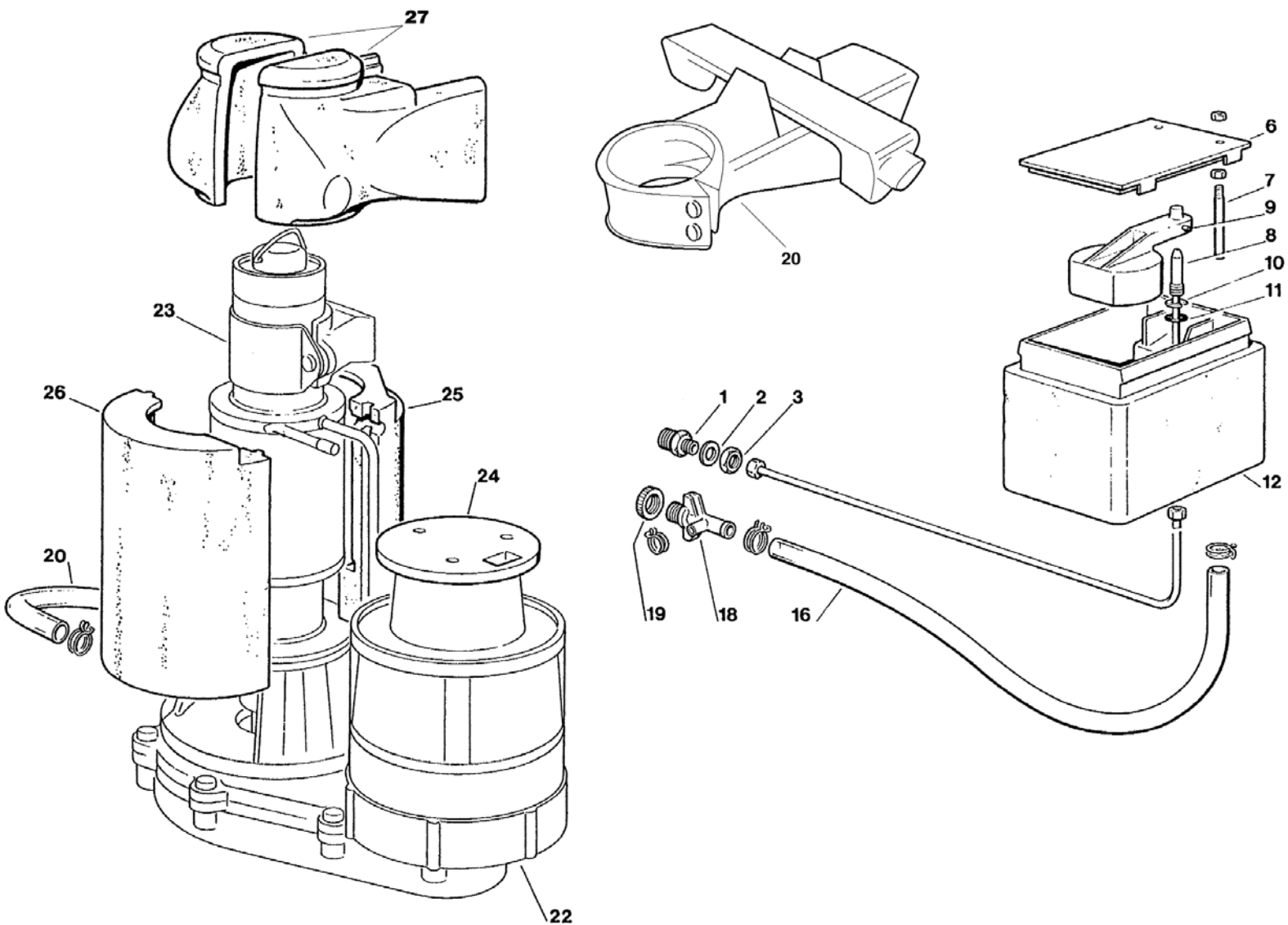
F 80 COMPACT - UNITÀ CONDENSATRICE AD ARIA - AIR CONDENSING UNIT - UNITE DE CONDENSATION A AIR

Pos. Nr.	Codice Code	Description	Descrizione	Description	Quantità Q.ty Q.tè
1	81414480/0	BASE	BASAMENTO	CHASSIS	1
2	25726538/0	SUPPORT	SUPPORTO	SUPPORT	1
3	25690807/0	WATER DRAIN PIPE	SCARICO ACQUA	RACCORD D'ECOULEMENT	1
4	19165548/0	COMPRESSOR R 134A	COMPRESSORE R 134A	COMPRESSEUR R 134A	1
5	81414498/0	FAN MOTOR	MOTOVENTILATORE	ELECTROVENTILATEUR	1
6	19177081/0	CONDENSER	CONDENSATORE	CONDENSATEUR	1
7	19300802/0	DRIER	FILTRO	DESHIDRATEUR	1
8	CF62040401	CONDENSER FEELER	SONDA CONDENSATORE	SONDE CONDENSATEUR	1
9	81414462/0	CHARGE VALVE	VALVOLA DI CARICA	VANNE CHARGE	1
10	19810111/0	WATER INLET TUBE	TUBO ALIMENTAZIONE	TUYAU D'ALIMENTATION EAU	1
11	81500130/0	WHEEL	RULLO	ROUTE	
12	81502119/0	LEVELLING FOOT	PIEDINO	PIED	4



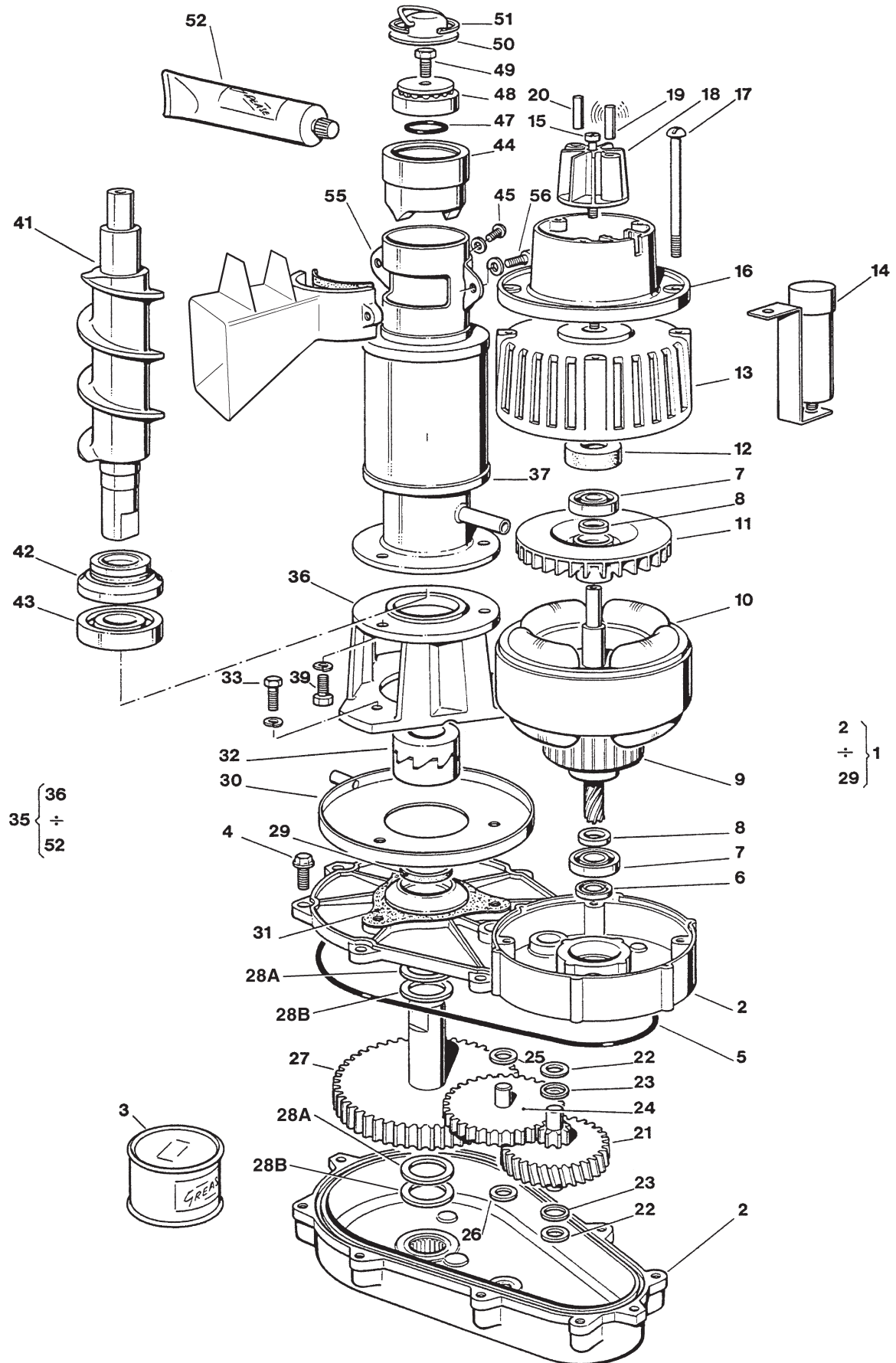
F 80W COMPACT - UNITÀ CONDENSATRICE AD ACQUA - WATER CONDENSING UNIT - UNITE DE CONDENSATION A EAU

Pos. Nr.	Codice Code	Description	Descrizione	Description	Quantità Q.ty Q.tè
1	81414480/0	BASE	BASAMENTO	CHASSIS	1
2	25726538/0	SUPPORT	SUPPORTO	SUPPORT	1
3	19550372/0	HI-PRESSURE CONTROL 8<>10 BAR 1/4 SAE	PRESSOSTATO 8<>10 BAR 1/4 SAE	PRESSOSTAT 8<>10 BAR 1/4 SAE	
4	25725437/0	SUPPORT	SUPPORTO PRESSOSTATO	SUPPORT	
5	19865538/0	WATER SOLENOID VALVE	ELETTROVALVOLA ACQUA	VANNE EAU	
6	25690806/0	WATER DRAIN PIPE	SCARICO ACQUA	RACCORD D'ECOULEMENT	2
7	19165548/0	COMPRESSOR R 134A	COMPRESSORE R 134A	COMPRESSEUR R 134A	1
8	81414493/0	CONDENSER	CONDENSATORE	CONDENSATEUR	1
9	19300802/0	DREIER	FILTRO	DESHYDRATEUR	1
11	81414462/0	CHARGE VALVE	VALVOLA DI CARICA	VANNE CHARGE	2
12	19810111/0	WATER INLET TUBE	TUBO ALIMENTAZIONE ACQUA	TUYEAU D'ALIMENTATION EAU	1
13	81500130/0	WHEEL	RULLO	ROUTE	
14	81502119/0	LEVELLING FOOT	PIEDINO	PIED	4
-	19810114/0	DRAIN WATER TUBE	TUBO SCARICO	TUYEAU D'ECOULEMENT	2



F 80 COMPACT - WATER SYSTEM AND INSULATIONS - CIRCUITO IDRAULICO ED ISOLAMENTI
CIRCUIT HYDRAULIQUE ET ISOLATIONS - WASSERKREISLAUF UND ISOLIERUNG

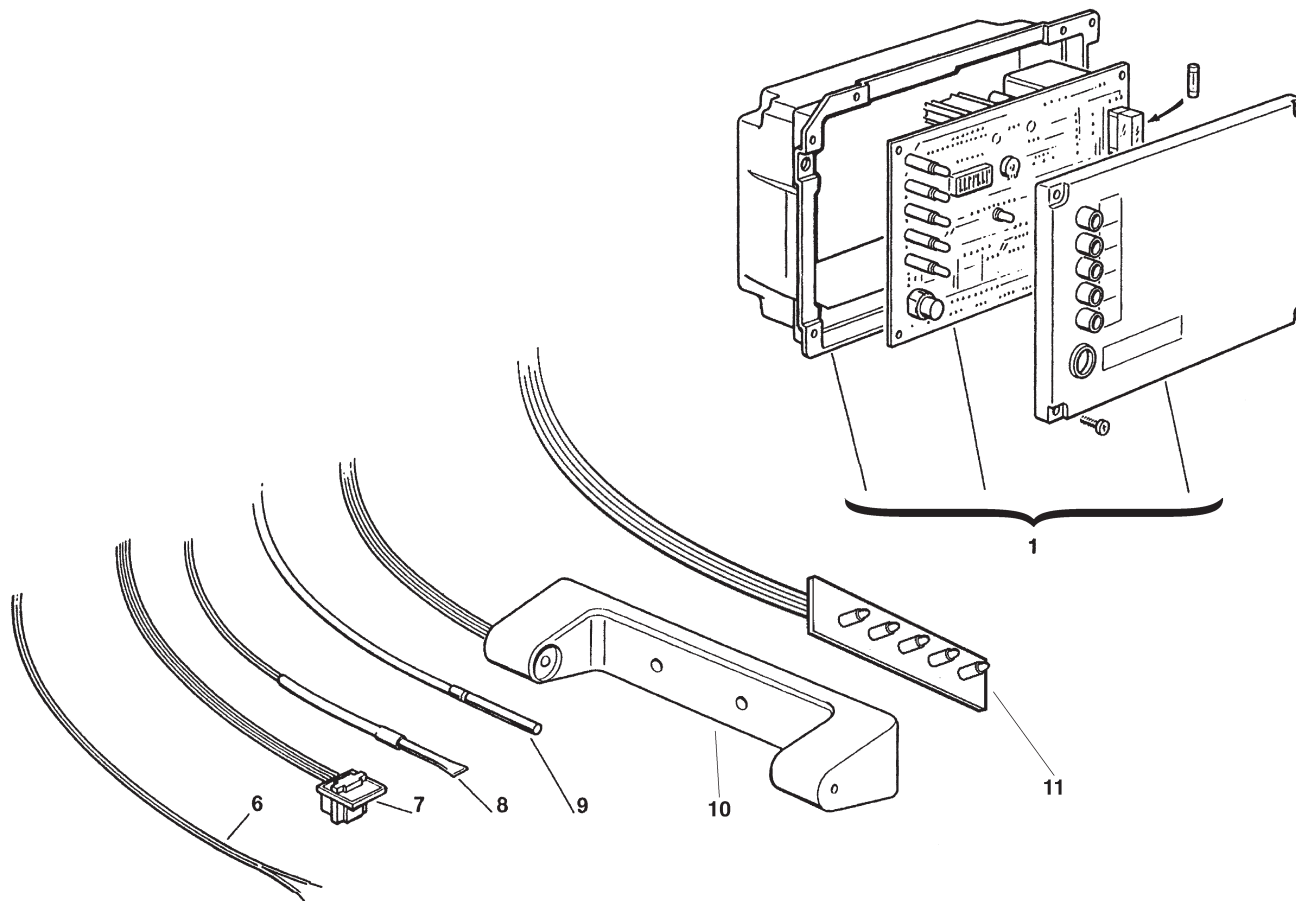
Pos. Nr.	Codice Code	Description	Descrizione	Description	Quantità Q.ty Q.tè
1	CF 733205 00	WATER INLET FITTING	RACCORDO INGRESSO ACQUA	RACCORD ARRIVEE D'EAU	
2	CF 400031 00	FIBER WASHER	RONDELLA IN FIBRA	RONDELLE EN FIBRE	
3	CF 400030 01	NUT	DADO	ECROU	
6	CF 660363 00	WATER RESERVOIR COVER	COPERCHIO VASCHETTA	COUVERCLE	
7	CF 724215 06	WATER LEVEL METAL PIN	PERNO SENSORE LIVELLO ACQUA	DETECTEUR NIVEAU EAU	
8	CF 783153 00	NOZZLE	UGELLO	GICLEUR	
9	CF 783127 00	FLOAT VALVE ASSY	ASS. GALLEGGIANTE	ENS. VANNE A FLOTTEUR	
10	CF 460038 02	CLIP RING	ANELLO SEEGER	CIRCLIP	
11	CF 640100 00	O RING	GUARNIZIONE OR	JOINT TORIQUE	
12	CF 793126 01	WATER RESERVOIR ASSY	ASS VASCHETTA GALLEGGIANTE	ENS. RÉSERVOIR	
13	CF 281222 00	PLASTIC TUBE - PER MTR	TUBO IN PLASTICA - PER METRO	TUYAU EN PLASTIQUE - POUR METRE	
16	CF 281832 00	PLASTIC TUBE - PER MTR	TUBO IN PLASTICA - PER METRO	TUYAU EN PLASTIQUE - POUR METRE	
18	CF 660224 00	WATER DRAIN FITTING	RACCORDO SCARICO ACQUA	RACCORD EVACUATION EAU	
19	CF 660535 00	PLASTIC RING NUT	GHIERA IN PLASTICA	COLLIER DE SERRAGE EN PLASTIQUE	
20	19054501/0	S.S. ICE SPOUT	BOCCHETTA SCARICO GHIACCIO	BEC VERSEUR	
22	CF 794225 13 R	GEAR REDUCER ASSY	ASS. MOTORIDUTTORE	ENS MOTOREDUCTEUR	
23	CF 794236 07 R	FREEZER ASSY	ASS. FREEZER	ENS. FREEZER	
24	CF 650515 02	GEAR MOTOR PLASTIC COVER	PROTEZIONE MOTORE	PROTECTION MOTEUR	
25	29028014/0	ISOLATION LEFT	ISOLAMENTO SINISTRO EVAPORATORE	ISOLATION GAUCHE	
26	29028013/0	ISOLATION RIGHT	ISOLAMENTO DESTRO EVAPORATORE	ISOLATION DROITE	
27	29028203/0	KIT INSULATION SPOUT	KIT ISOLAMENTO BOCCHETTA	KIT ISOLATION BEC VERSEUR	



F 80 COMPACT - FREEZER AND GEAR REDUCER ASSY - ASSIEME FREEZER E RIDUTTORE
ENS. FREEZER ET MOTOREDUCTEUR - GEFRIERZYLINDER UND GETRIEBEEINHEIT

ITEM NO POS NO REP. NO REF. NO	PART NO - CODICE REFERENCE - STUECK NR	DESCRIPTION	DESCRIZIONE	DESIGNATION
1	CF 79422513 R	GEAR REDUCER ASSY	ASS. RIDUTTORE	ENS. MOTORÉDUCTEUR
2	CF 001015 01	CASE ASSY FOR GEARS	ASS. SCATOLA PER INGRANAGGI	ENS. CARTER POUR
3	CF 060294 01	GREASE (1KG)	GRASSO (1KG)	GRAISSE (1KG) FETT (1KG)
4	CF 031251 01	SCREW	VITE	VIS SCHRAUBE
5	CF 640084 00	O RING	GUARNIZIONE OR	JOINT TORIQUE O RING
6	CF 640083 00	GEASE SEAL	PARAOLIO	PARAHUILE SCHMIERDICHTUNG
7	CF 651056 00	BEARING	CUSCINETTO	ROULEMENT LAGER
8	CF 441800 09	TRUST WASHER	RONDELLA DI RASAMENTO	RONDELLE. UNTERLEG SCHEIBE
9	CF 794123 03 R	ROTOR ASSY	ASS. ROTORE	ENS. ROTOR ROTOR EINHEIT
10	CF 620394 00	STATOR ASSY	ASS. STATORE	ENS. STATOR STATOREINHEIT
11	CF 764001 00	FAN BLADE	VENTOLA	HELICE FLÜGEL/RAD
12	CF 640095 00	RUBBER INSERT	INSERTO IN GOMMA	BAGUE CAOUTCHOUC
13	CF 794226 01	DRIVE MOTOR COVER	COPERCHIO MOTORE	COUVERCLE MOTEUR
14	CF 620292 04	CAPACITOR	CONDENSATORE	CONDENSATEUR
15	CF 031403 77	SCREW	VITE	VIS
16	CF 650515 01	PLASTIC HOUSING	ALLOGGIAMENTO IN PLASTICA	BÔITE DETECTEUR EFF. HALL
17	CF 423872 01	SCREW	VITE	VIS
18-19-20	CF 784476 00	MAGNETO ASSY	ASS. SUPPORTO MAGNETE	ENS. SUPPORT DU MAGNETO
21	CF 651160 00	1SR GEAR & PINION	INGRANAGGIO IN FIBRA	ENGRANAGE EN CELERON
22	CF 441800 06	TRUST WASHER (0,3 mm)	RONDELLA DI RASAMENTO (0,3 mm)	RONDELLE (0,3 mm)
23	CF 441800 05	TRUST WASHER (0,8 mm)	RONDELLA DI RASAMENTO (0,8 mm)	RONDELLE (0,8 mm)
24	CF 651161 00	2ND GEAR & PINION	INGRANAGGIO INTERMEDIO	2eme ENGRANAGE ET PIGNON
25	CF 441800 08	TRUST WASHER (0,3 mm)	RONDELLA DI RASAMENTO (0,3 mm)	RONDELLE (0,3 mm)
26	CF 441800 07	TRUST WASHER (0,8 mm)	RONDELLA DI RASAMENTO (0,8 mm)	RONDELLE (0,8 mm)
27	CF 651162 01	OUTPUT GEAR & SHAFT	INGRANAGGIO FINALE	PIGNON-ENGR. D'ENTRAINEMENT
28A	CF 441808 00	TRUST WASHER (1,5 mm)	RONDELLA DI RASAMENTO (1,5 mm)	RONDELLE (1,5 mm)
28B	CF 441808 00	TRUST WASHER (0,8 mm)	RONDELLA DI RASAMENTO (0,8 mm)	RONDELLE (0,8 mm)
29	CF 640019 01	GREASE SEAL	PARAOLIO	PARAHUILE
30	CF 784062 00	DRIP TRAY	RACCOGLIGOCCE	GOUELLE EAU
31	CF 640060 00	GASKET	GUARNIZIONE	JOINT
32	CF 060359 00	COUPLING	GIUNTO	BAGUE D'ACCOUPLMENT CPL
33	CF 421052 00	SCREW	VITE	VIS
35	CF 794236 07 R	FREEZER ASSY	ASS. FREEZER	ENS. FREEZER
36	CF 764010 00	ALUMINIUM ADAPTER	SUPPORTO DI ALLUMINIO	SUPPORT
37	CF 784260 09	WORM TUBE ONLY	TUBO EVAPORATORE	CYLINDRE EVAPORATEUR
39	CF 421591 00	SCREW	VITE	VIS
41	CF 724052 07	AUGER	COCLEA	VIS SANS FIN
42	CF 640040 00	WATER SEAL	ASSIEME PREMISTOPPA	GARNITURE D'ETANCHEITE
43	CF 670011 01	LO BEARING	CUSCINETTO INFERIORE	PALIER INFERIEUR
44	CF 754001 02	ICE BREAKER ONLY	ROMPIGHIACCIO	BROYEUR
45	CF 420000 26	SCREW	VITE	VIS
47	CF 640041 01	O RING	GUARNIZIONE OR	JOINT TORIQUE
48	CF 670041 00	TOP BEARING	CUSCINETTO SUPERIORE	PALIER SUPERIEUR
49	CF 420030 00	SCREW	VITE	VIS
50	CF 734105 00	CAP	CALOTTA	CALOTTE
51	CF 650297 00	CLIP RING	ANELLO SEEGER	CIRCLIP
52	CF 263612 00	WATER PROOF GREASE	GRASSO IDROREPELL.	GRAISSE
55	CF 724087 00	SPOUT PLATE	VITE	VIS
56	CF 420002 05	SCREW	VITE	VIS
—	CF 001028 07	BEARING KIT	KIT CUSCINETTI	KIT PALIER

F 80 C - P.C. BOARD AND SENSOR ASSY - SCHEDA ELETTRONICA E SENSORI
ENS. CARTE ELECTRONIQUE ET DETECTEURS - ELEKTRONISCHE KARTE UND TEMPERATURFUEHLERENHEIT



F 80 C - P.C. BOARD AND SENSOR ASSY - SCHEDA ELETTRONICA E SENSORI
ENS. CARTE ELECTRONIQUE ET DETECTEURS - ELEKTRONISCHE KARTE UND TEMPERATURFUEHLERENHEIT

ITEM NO POS NO REP. NO REF. NO	PART NO CODICE REFERENCE STUECK NR	DESCRIPTION	DESCRIZIONE	DESIGNATION	BESCHREIBUNG
1	81469134/0	PC BOARD + BOX ASSY	ASSIEME SCHEDA + BOX		
6	29070018/0	WATER LEVEL SENSOR	SENSORE LIVELLO ACQUA	CAPTEUR NIVEAU EAU	WASSERNIVEAUFÜHLER
7	CF 620404 03	HALL EFFECT SENSOR	SENSORE EFFETTO HALL	CAPTEUR EFFECT HALL	HALL EFFEKT-FÜHLER
8	CF 620404 01	CONDENSER TEMP. SENSOR	SENSORE TEMP. CONDENSATORE	CAPTEUR TEMP. CONDENSEUR	KONDENSATORTEMPERATURFUEHLER
9	CF 620404 10	EVAPORATOR TEMP. SENSOR	SENSORE TEMP. EVAPORATORE	CAPTEUR TEMP. ÉVAPORATEUR	VERDAMPFERTEMPERATURFUEHLER
10	33580175/0	ICE LEVEL CONTROL ASSY	ASS. CONTR. LIVELLO GHIACCIO	ENS. DETECTEUR NIVEAU GLACE	EISNIVEAUFUEHLEREINHEIT
11	33580174/0	LEDS CARD	SCHEDA LEDES		