

Icematic®

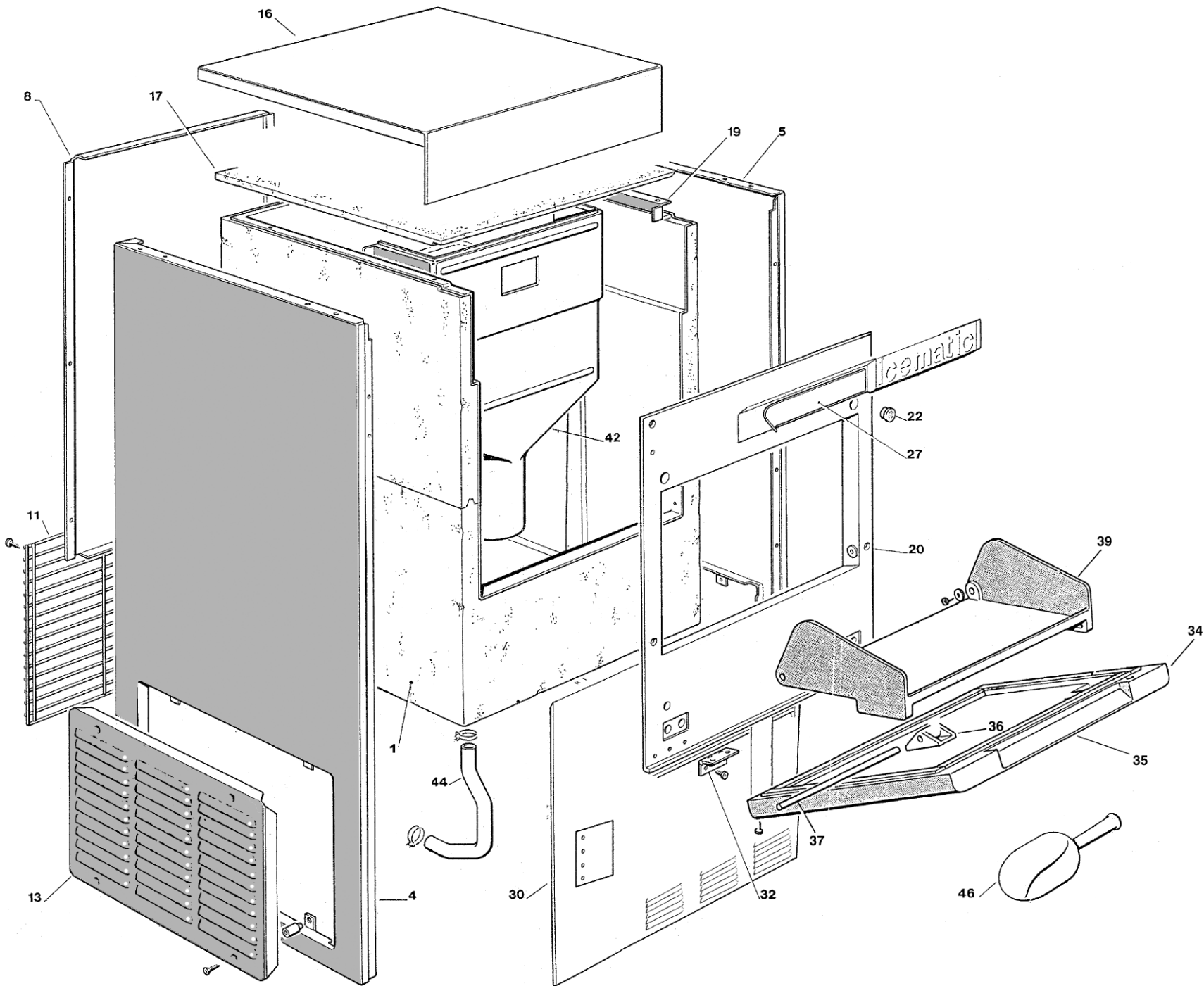
Spare parts list • *Catalogo ricambi*
Catalogues pièces détachées



R134a

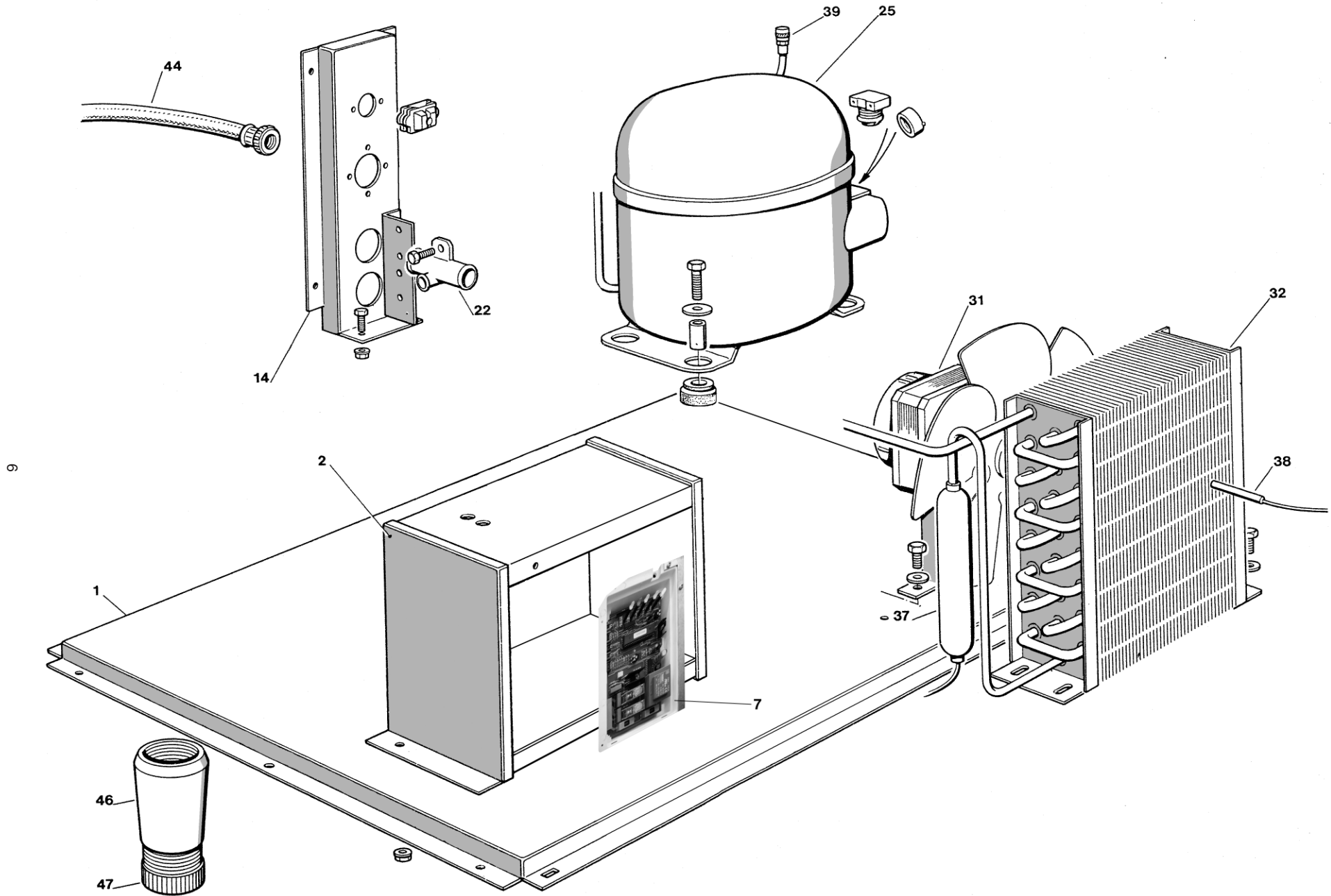
Cod. 71503561/0 - 06/2013 - Rev.02

F 125 COMPACT



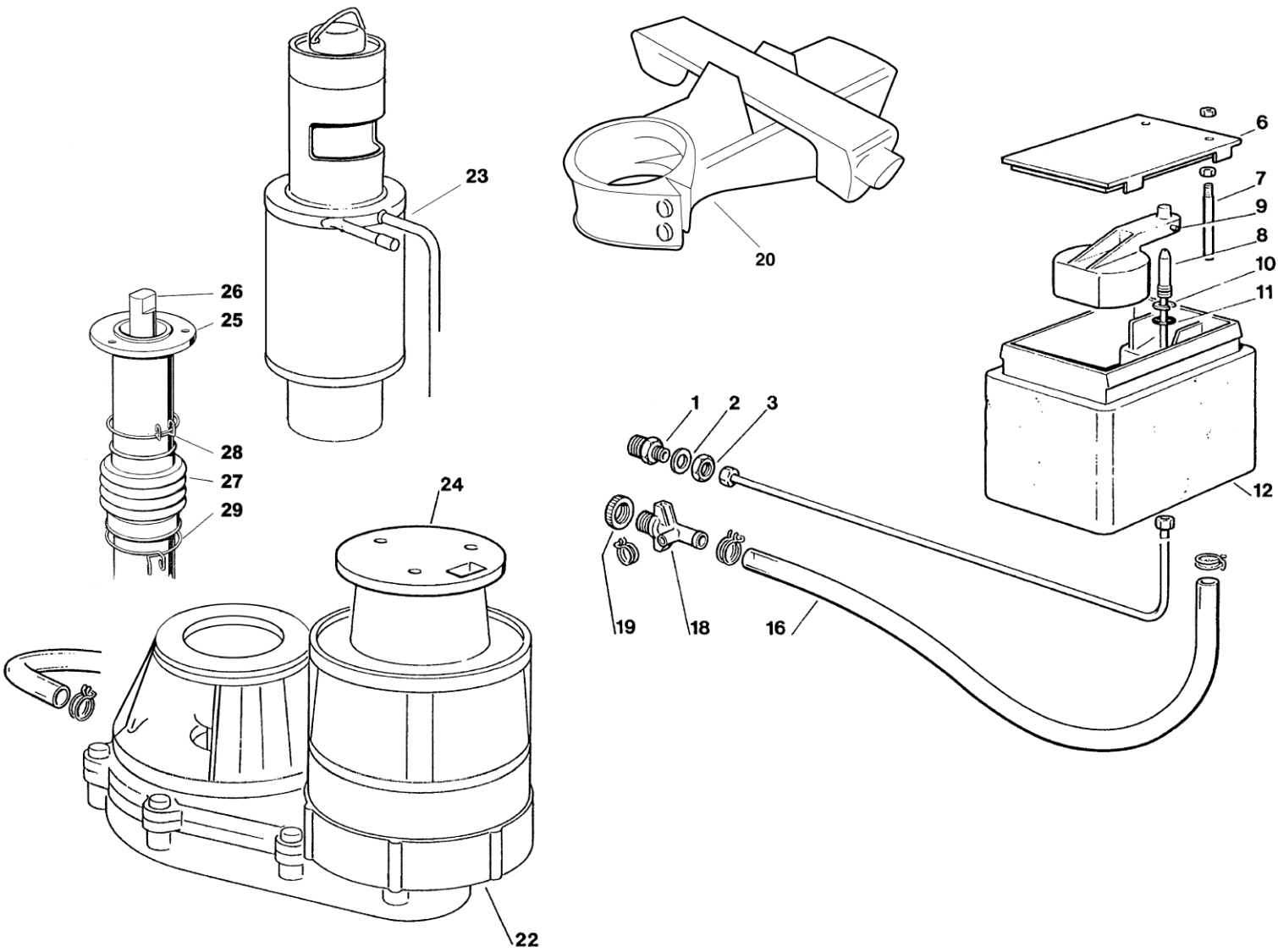
F 125 COMPACT - ASSIEME CARROZZERIA - CABINET - ENSAMBLE CARROSSERIE

Pos. Nr.	Codice Code	Descrizione	Description	Description	Quantità Q.ty Q.tè
1	81461001/0	ASSIEME CONTENITORE	ICE BIN	ENSEMBLE CUVE	1
4	25330727/0	FIANCO SINISTRO	LEFT SIDE	PANNEAU GAUCHE	1
5	25330726/0	FIANCO DESTRO	RIGHT SIDE	PANNEAU DROITE	1
8	25700057/0	SCHIENALE	BACK PANEL	PANNEAU ARRIERE	1
11	25700060/0	GRIGLIA POSTERIORE	BACK GRID	GRILLE ARRIERE	1
13	25610101/0	PRESA D'ARIA	AIR INTAKE	PRISE D'AIR	2
16	25161103/0	COPERCHIO	TOP COVER	COUVERCLE	1
17	25550048/0	PANNELLO ISOLANTE COPERCHIO	INSULATOR COVER PANEL	COUVERCLE PANNEAU ISOLANT	1
20	25165494/0	CORNICE	FRAME	CORNICHE	1
22	41109519/0	MAGNETE	MAGNET	MAGNETO	2
27	25740085/0	ETICHETTA DENOMINAZ. F125C	LABEL F125C	ETIQUETTE DENOM. F125C	1
28	29020013/0	ETICHETTA LED	LED LABEL	ETIQUETTE LED	1
30	25610097/0	PRESA D'ARIA ANTERIORE	FRONT AIR INTAKE	PRISE D'AIR AVANT	1
32	19120050/0	CERNIERA	HINGE	CHARNIERE	2
34	81420524/0	ASSIEME PORTA	COMPLETE DOOR	PORTE COMPLETE	1
35	25600183/0	PORTA	DOOR	PORTE	1
36	25030020/0	ALBERINO	SHAFT	ARBRE	1
37	25726279/0	SUPPORTI	SUPPORT	SUPPORT	1
39	25260470/0	DEFLETTORE	DOOR DEFLECTOR	DEFLECTEUR	1
42	25125115/0	CARTER DI PROTEZIONE	EVAPORATOR'S PROTECTION	PROTECTION DE L'EVAPORATEUR	1
44	25790621/0	SCARICO	TUBE	TUYAU	1
46	19500100/0	PALETTA	ICE SCOOP	PELLE A GLACE	1
-	19810114/0	TUBO SCARICO	DRAIN WATER TUBE	TUYAU DE DECHARGE MACHINE	1



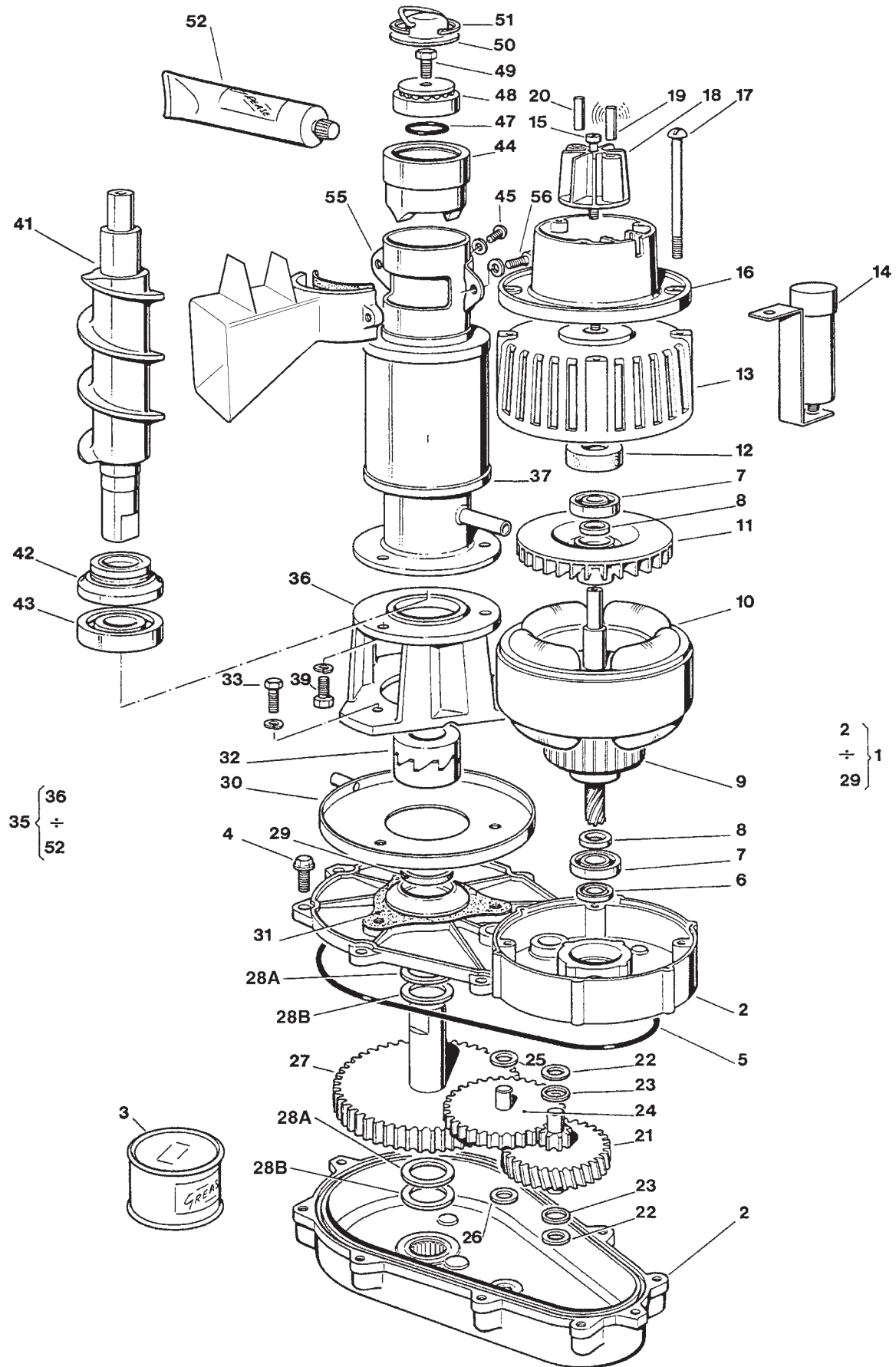
F 125 COMPACT - UNITÀ CONDENSATRICE AD ARIA - AIR CONDENSING UNIT - UNITE DE CONDENSATION A AIR

Pos. Nr.	Codice Code	Descrizione	Description	Description	Quantità Q.ty Q.tè
1	81460920/0	BASAMENTO	BASE	CHASSIS	1
2	25725538/0	SUPPORTO SCATOLA	BOX SUPPORT	SUPPORT BOITER	1
7	81469134/0	ASS. SCHEDA	CARD	FICHE	1
7A	CF62046215	ASS. SCHEDA DA S.N. 30200007	CARD FROM S.N. 30200007	FICHE À PARTIR DE S.N. 30200007	1
14	81418352/0	SUPPORTO	SUPPORT	SUPPORT	1
22	25690806/0	SCARICO ACQUA	WATER DRAIN PIPE	RACCORD D'ECOULEMENT	1
25	19165556/0	COMPRESSORE R 134a	COMPRESSOR R 134a	COMPRESSEUR R 134a	1
25	19165556/0	COMPRESSORE R 134a	COMPRESSOR R 134a	COMPRESSEUR R 134a	1
31	81566478/0	MOTOVENTILATORE	FAN MOTOR	ELECTROVENTILATEUR	1
32	19177505/0	CONDENSATORE	CONDENSER	CONDENSATEUR	1
37	19300804/0	FILTRO	DRIER	DESHIDRATEUR	1
38	29070014/0	SONDA CONDENSATORE	CONDENSER FEELER	SONDE CONDENSATEUR	1
39	81465073/0	VALVOLA DI CARICA	CHARGE VALVE	VANNE CHARGE	1
44	19810111/0	TUBO ALIMENTAZIONE	WATER INLET TUBE	TUYAU D'ALIMENTATION EAU	1
46	25460020/0	MANICOTTO	COUPLING	RALLONGE PIED	4
47	25570880/0	PIEDINO	LEVELLING FOOT	PIED	4



F 125 COMPACT - WATER SYSTEM AND INSULATIONS - CIRCUITO IDRAULICO ED ISOLAMENTI
CIRCUIT HYDRAULIQUE ET ISOLATIONS - WASSERKREISLAUF UND ISOLIERUNGE

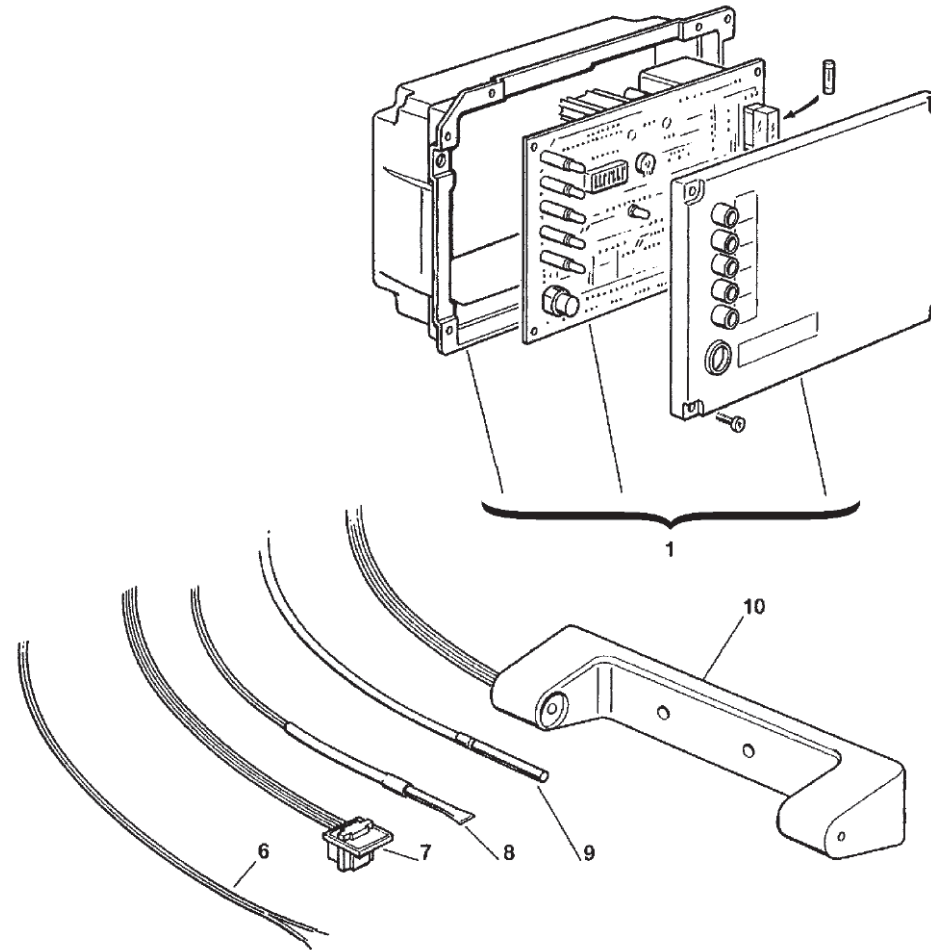
Pos. Nr.	Codice Code	Descrizione	Description	Description	Quantità Q.ty Q.tè
2	CF 400031 00	FIBER WASHER	RONDELLA IN FIBRA	RONDELLE EN FIBRE	
3	CF 400030 01	NUT	DADO	ECROU	
6	CF 660363 00	WATER RESERVOIR COVER	COPERCHIO VASCHETTA	COUVERCLE	
7	29070018/0	WATER LEVEL METAL PIN	PERNO SENSORE LIVELLO ACQUA	DETECTEUR NIVEAU EAU	
8	CF 783153 00	NOZZLE	UGELLO	GICLEUR	
9	CF 660585 00	FLOAT VALVE ASSY	ASS. GALLEGGIANTE	ENS. VANNE A FLOTTEUR	
10	CF 460038 02	CLIP RING	ANELLO SEEGER	CIRCLIP	
11	29025012/0	O RING	GUARNIZIONE OR	JOINT TORIQUE	
12	CF 793126 01	WATER RESERVOIR ASSY	ASS VASCHETTA GALLEGGIANTE	ENS. RÉSERVOIR	
13	CF 281822 00	PLASTIC TUBE - PER MTR	TUBO IN PLASTICA - PER METRO	TUYAU EN PLASTIQUE - POUR METRE	
16	CF 281832 00	PLASTIC TUBE - PER MTR	TUBO IN PLASTICA - PER METRO	TUYAU EN PLASTIQUE - POUR METRE	
18	CF 660224 00	WATER DRAIN FITTING	RACCORDO SCARICO ACQUA	RACCORD EVACUATION EAU	
19	CF 660535 00	PLASTIC RING NUT	GHIERA IN PLASTICA	COLLIER DE SERRAGE EN PLASTIQUE	
20	19054501/0	S.S. ICE SPOUT	BOCCHETTA SCARICO GHIACCIO	BEC VERSEUR	
22	CF 794225 13 R	GEAR REDUCER ASSY	ASS. MOTORIDUTTORE	ENS MOTOREDUCTEUR	
23	CF 794236 07 R	FREEZER ASSY	ASS. FEEEZER	ENS. FREEZER	
24	CF 650515 02	GEAR MOTOR PLASTIC COVER	PROTEZIONE MOTORE	PROTECTION MOTEUR	
25	81463051/0	TUBO PROLUNGA	EXTENSION TUBE	TUYAU RALLONGE	1
26	25030014/0	ALBERO	SHAFT	ARBRE	1
27	25702591/0	SOFFIETTO	BELLOWS	SOUFFLET	1
28	25474606/0	MOLLA	SPRING	RESSORT	1
29	25474607/0	MOLLA	SPRING	RESSORT	1



**F 125 COMPACT - FREEZER AND GEAR REDUCER ASSY - ASSIEME FREEZER E RIDUTTORE
ENS. FREEZER ET MOTOREDUCTEUR - GEFRIERZYLINDER UND GETRIEBEEINHEIT**

ITEM NO POS NO REP. NO REF. NO	PART NO - CODICE REFERENCE - STUECK NR	DESCRIPTION	DESCRIZIONE	DESIGNATION
1	CF 79422513 R	GEAR REDUCER ASSY	ASS. RIDUTTORE	ENS. MOTORÉDUCTEUR
2	CF 001015 01	CASE ASSY FOR GEARS	ASS. SCATOLA PER INGRANAGGI	ENS. CARTER POUR
3	CF 060294 01	GREASE (1KG)	GRASSO (1KG)	GRAISSE (1KG) FETT (1KG)
4	CF 031251 01	SCREW	VITE	VIS SCHRAUBE
5	CF 640084 00	O RING	GUARNIZIONE OR	JOINT TORIQUE O RING
6	CF 640083 00	GEASE SEAL	PARAOLIO	PARAHUILE SCHMIERDICHTUNG
7	CF 651056 00	BEARING	CUSCINETTO	ROULEMENT LAGER
8	CF 441800 09	TRUST WASHER	RONDELLA DI RASAMENTO	RONDELLE. UNTERLEG SCHEIBE
9	CF 794123 03 R	ROTOR ASSY	ASS. ROTORE	ENS. ROTOR ROTOR EINHEIT
10	CF 620394 00	STATOR ASSY	ASS. STATORE	ENS. STATOR STATOREINHEIT
11	CF 764001 00	FAN BLADE	VENTOLA	HELICE FLÜGEL/RAD
12	CF 640095 00	RUBBER INSERT	INSERTO IN GOMMA	BAGUE CAOUTCHOUC
13	CF 794226 01	DRIVE MOTOR COVER	COPERCHIO MOTORE	COUVERCLE MOTEUR
14	CF 620292 04	CAPACITOR	CONDENSATORE	CONDENSATEUR
15	CF 031403 77	SCREW	VITE	VIS
16	CF 650515 01	PLASTIC HOUSING	ALLOGGIAMENTO IN PLASTICA	BÔITE DETECTEUR EFF. HALL
17	CF 423872 01	SCREW	VITE	VIS
18-19-20	CF 784476 00	MAGNETO ASSY	ASS. SUPPORTO MAGNETE	ENS. SUPPORT DU MAGNETO
21	CF 651160 00	1SR GEAR & PINION	INGRANAGGIO IN FIBRA	ENGRANAGE EN CELERON
22	CF 441800 06	TRUST WASHER (0,3 mm)	RONDELLA DI RASAMENTO (0,3 mm)	RONDELLE (0,3 mm)
23	CF 441800 05	TRUST WASHER (0,8 mm)	RONDELLA DI RASAMENTO (0,8 mm)	RONDELLE (0,8 mm)
24	CF 651161 00	2ND GEAR & PINION	INGRANAGGIO INTERMEDIO	2eme ENGRANAGE ET PIGNON
25	CF 441800 08	TRUST WASHER (0,3 mm)	RONDELLA DI RASAMENTO (0,3 mm)	RONDELLE (0,3 mm)
26	CF 441800 07	TRUST WASHER (0,8 mm)	RONDELLA DI RASAMENTO (0,8 mm)	RONDELLE (0,8 mm)
27	CF 651162 01	OUTPUT GEAR & SHAFT	INGRANAGGIO FINALE	PIGNON-ENGR. D'ENTRAINEMENT
28A	CF 441808 00	TRUST WASHER (1,5 mm)	RONDELLA DI RASAMENTO (1,5 mm)	RONDELLE (1,5 mm)
28B	CF 441808 00	TRUST WASHER (0,8 mm)	RONDELLA DI RASAMENTO (0,8 mm)	RONDELLE (0,8 mm)
29	CF 640019 01	GREASE SEAL	PARAOLIO	PARAHUILE
30	CF 660756 00	DRIP TRAY	RACCOGLIGOCCE	GOUPELLE EAU
31	CF 640060 00	GASKET	GUARNIZIONE	JOINT
32	CF 060359 00	COUPLING	GIUNTO	BAGUE D'ACCOUPEMENT CPL
33	CF 421052 00	SCREW	VITE	VIS
35	CF 794236 07 R	FREEZER ASSY	ASS. FREEZER	ENS. FREEZER
36	CF 764010 00	ALUMINIUM ADAPTER	SUPPORTO DI ALLUMINIO	SUPPORT
37	CF 784260 09	WORM TUBE ONLY	TUBO EVAPORATORE	CYLINDRE EVAPORATEUR
39	CF 421591 00	SCREW	VITE	VIS
41	CF 724052 07	AUGER	COCLEA	VIS SANS FIN
42	CF 640040 00	WATER SEAL	ASSIEME PREMISTOPPA	GARNITURE D'ETANCHEITE
43	CF 670011 01	LO BEARING	CUSCINETTO INFERIORE	PALIER INFERIEUR
44	CF 060720 00	ICE BREAKER ONLY	ROMPIGHIACCIO	BROYEUR
45	CF 420000 26	SCREW	VITE	VIS
47	CF 640041 01	O RING	GUARNIZIONE OR	JOINT TORIQUE
48	CF 060720 00	TOP BEARING	CUSCINETTO SUPERIORE	PALIER SUPERIEUR
49	CF 420030 00	SCREW	VITE	VIS
50	CF 734105 00	CAP	CALOTTA	CALOTTE
51	CF 650297 00	CLIP RING	ANELLO SEEGER	CIRCLIP
52	CF 263612 00	WATER PROOF GREASE	GRASSO IDROREPELL.	GRAISSE
55	CF 724087 00	SPOUT PLATE	VITE	VIS
56	CF 420002 05	SCREW	VITE	VIS
—	CF 001028 07	BEARING KIT	KIT CUSCINETTI	KIT PALIER

F 125 C - P.C. BOARD AND SENSOR ASSY - SCHEDA ELETTRONICA E SENSORI
ENS. CARTE ELECTRONIQUE ET DETECTEURS - ELEKTRONISCHE KARTE UND TEMPERATURFUEHLERENHEIT



F125C - P.C. BOARD AND SENSOR ASSY - SCHEDA ELETTRONICA E SENSORI
ENS. CARTE ELECTRONIQUE ET DETECTEURS - ELEKTRONISCHE KARTE UND TEMPERATURFUEHLERENHEIT

ITEM NO POS NO REP. NO REF. NO	PART NO CODICE REFERENCE STUECK NR	DESCRIPTION	DESCRIZIONE	DESIGNATION	BESCHREIBUNG
1	81469134/0	PC BOARD + BOX ASSY	ASSIEME SCHEDA + BOX		
1A	CF62046215	ASS. SCHEDA DA S.N. 30200007	CARD FROM S.N. 30200007	FICHE À PARTIR DE S.N. 30200007	1
6	29070018/0	WATER LEVEL SENSOR	SENSORE LIVELLO ACQUA	CAPTEUR NIVEAU EAU	WASSERNIVEAUFÜHLER
7	29070015/0	HALL EFFECT SENSOR	SENSORE EFFETTO HALL	CAPTEUR EFFECT HALL	HALL EFFEKT-FÜHLER
8	29070014/0	CONDENSER TEMP. SENSOR	SENSORE TEMP. CONDENSATORE	CAPTEUR TEMP. CONDENSEUR	KONDENSATORTEMPERATURFUEHLER
9	29070013/0	EVAPORATOR TEMP. SENSOR	SENSORE TEMP. EVAPORATORE	CAPTEUR TEMP. ÉVAPORATEUR	VERDAMPFERTEMPERATURFUEHLER
10	33580104/0	ICE LEVEL CONTROL ASSY	ASS. CONTR. LIVELLO GHIACCIO	ENS. DETECTEUR NIVEAU GLACE	EISNIVEAUFUEHLEREINHEIT