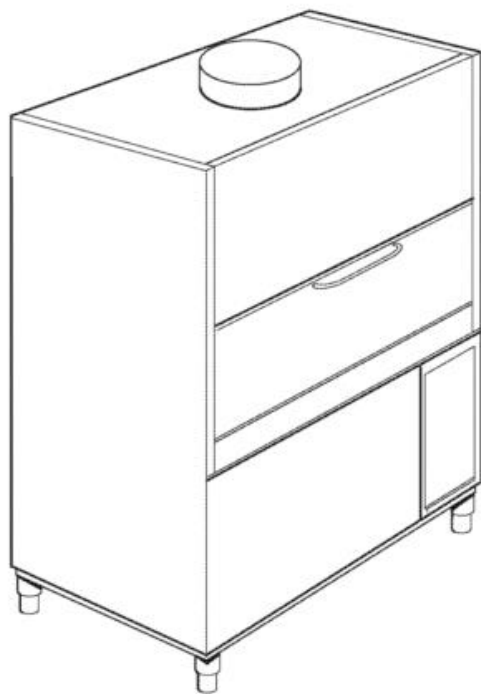


CATALOGO RICAMBI
SPARE PARTS BOOK

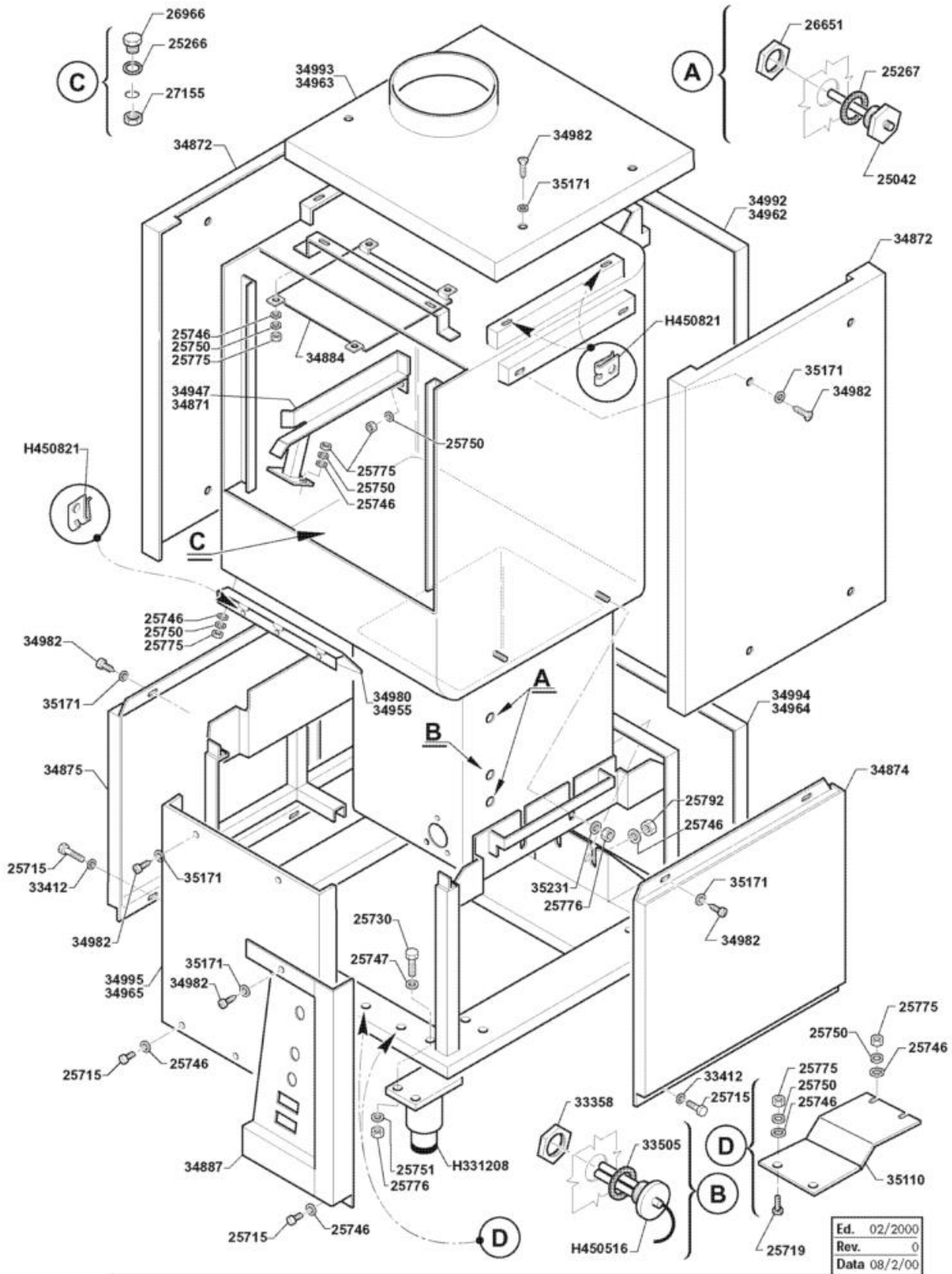


EDI 6/8/13

LO 67/83/134

Ed. 02/2000
Rev. 2001

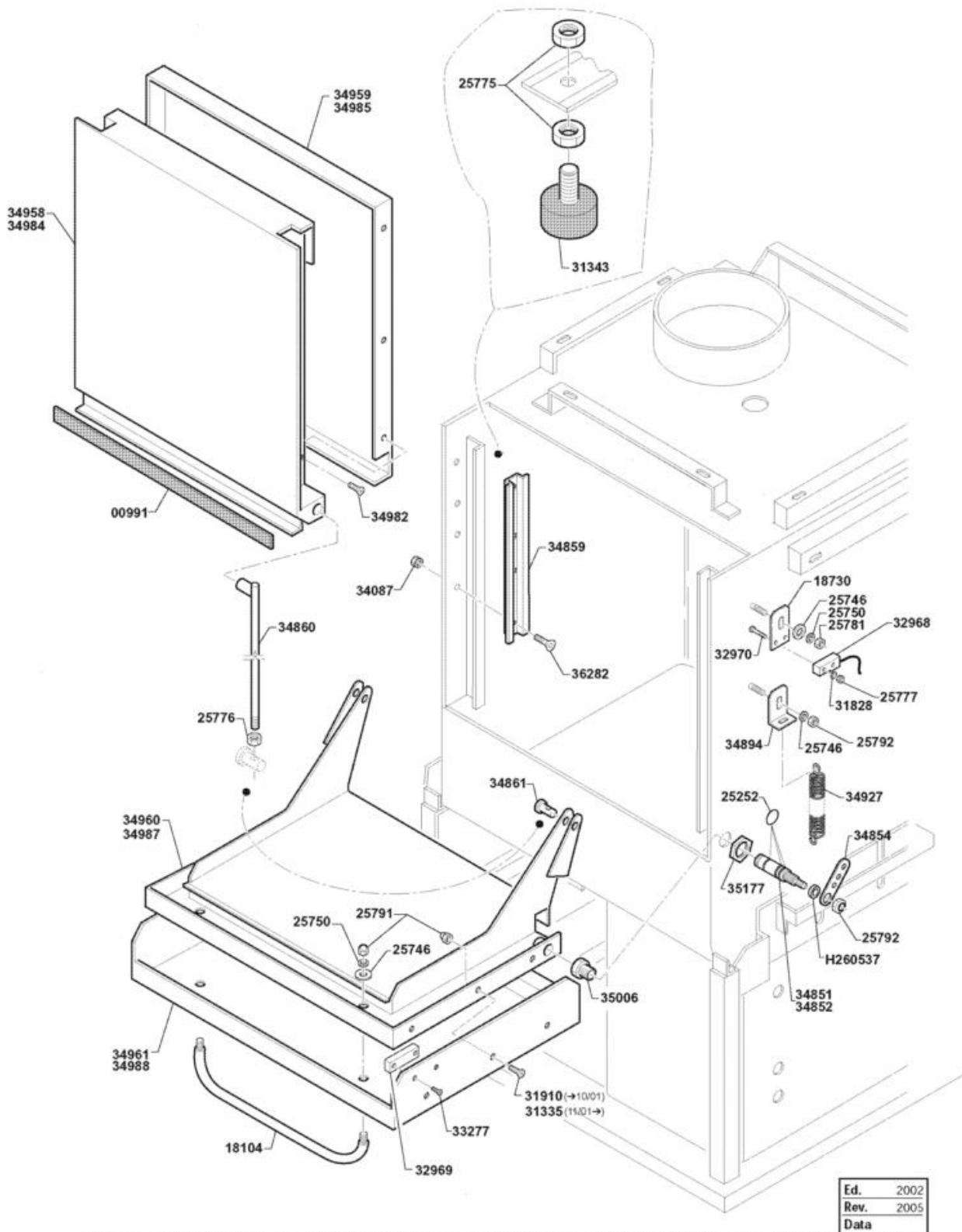
-
- 1 Body Components
 - 2 Door Components
 - 3 Upper Arm Wash/rinse
 - 4 Upper Arm Wash/rinse
 - 5 Lower Arm Wash/rinse
 - 6 Lower Arm Wash/rinse
 - 7 Wash Pump
 - 8 Boiler/electrovalve
 - 9 Rinse Pump
 - 10 Drain/filters/rinsaid Pump
 - 11 Drain/filters/rinsaid Pump
 - 12 Electrical Components
 - 13 Shower Optional
 - 14 Wheels Optional
 - 15 Drain Pump Optional
 - 16 Detergent Pump Optional
 - 17 Detergent Pump Optional 2009 cod. 38127
 - 18 Panels For Acoustic And Thermic Isolation Optional
 - 19 Racks
 - 20 Racks



Ed.	02/2000
Rev.	0
Data	08/2/00

Body Components

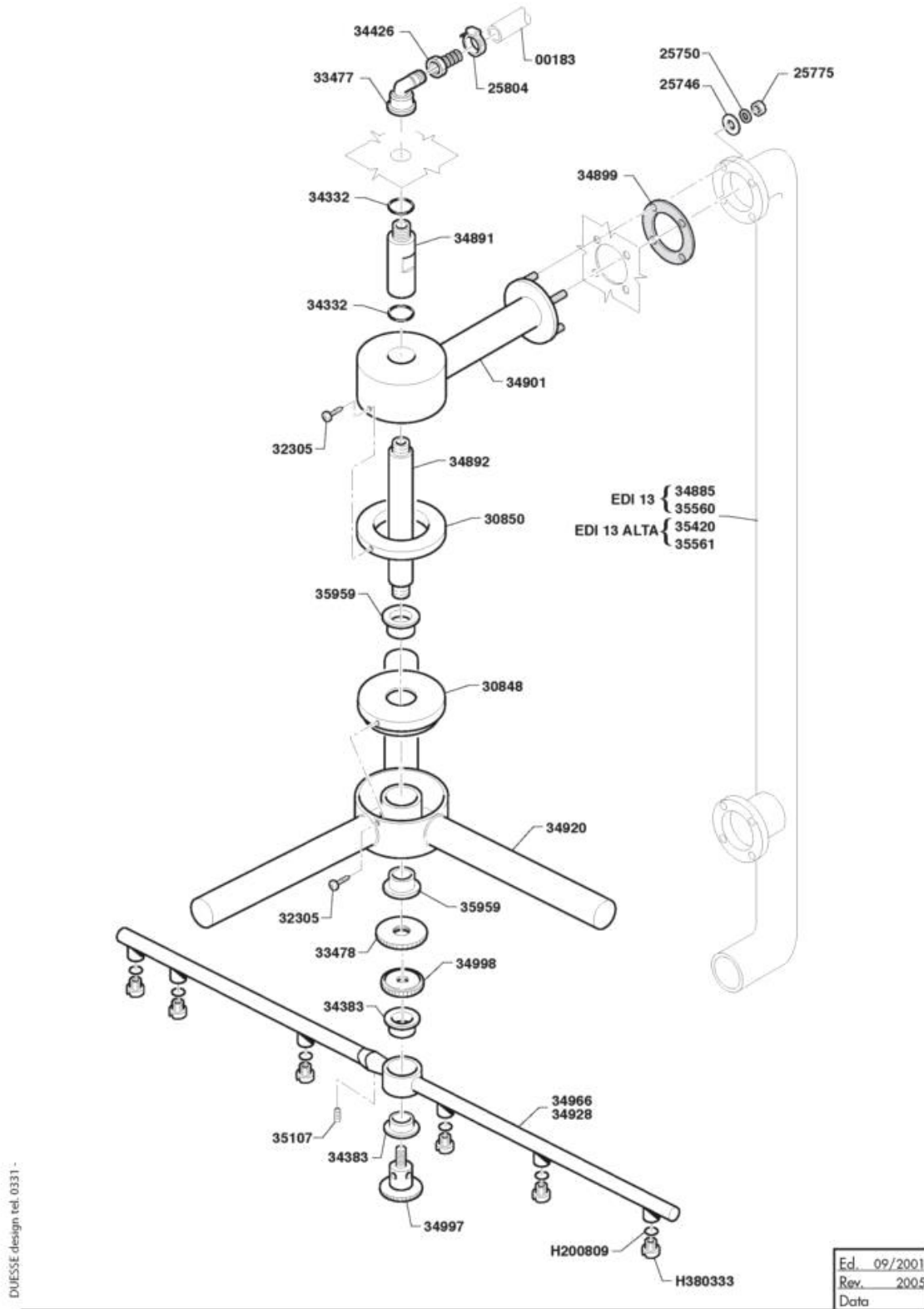
Code	Description	
25042	LEVEL PROBE	
25266	FLAT GASKET 18 X 10 X 2	
25267	FLAT GASKET 31 X 21 X 2	
25715	SCREW HEX.HD M 6 X 16 SS	
25719	SCREW HEX.HD M 6 X 25	
25730	SCREW HEX.HD M 8 X 25	
25746	SPACER, FLAT, DIAM.6/18	
25747	SPACER, FLAT, DIAM. 8	
25750	SPACER, SPLITTED, DIAM. 6	
25751	SPACER. SPLITTED, DIAM. 8	
25775	NUT 6 MA	
25776	NUTS 8 MA SS 18/8	
25792	SELF-LOCKING NUT 6 MA LOWER SIDE	
26651	NUT X T 1/2"	
26966	HOLE CLOSING PLUG	
27155	PLASTIC NUT10 M	
331208	PIEDE TELESCOPICO INOX	
33358	LOCK NUT 1/2" ES.30 SP.7"SS"	
33412	PRESSED WASHER 7x22x2	
33505	GASKET 30X21X2 KLINGER SIL	
34871	BASKET SLIDE GUIDE LEFT, SERIES EDI	
34872	TANK UPPER SIDE PANEL, EDI	
34874	TANK BASE RIGHT SIDE PANEL, EDI	
34875	TANK BASE LEFT SIDE PANEL, EDI	
34884	SPLATTER-PROOF, VAPOR OUTLET, EDI	
34887	FRONT CONTROL PANEL, EDI	
34947	BASKET SLIDE GUIDE, RIGHT, EDI	
34955	CLAMPING PROFILE, FR. PANEL, EDI8	
34962	REAR UPPER PANEL, EDI 8	
34963	TOP UPPER PANEL, EDI 8	
34964	BASE REAR PANEL, EDI 8	
34965	FRONT PANEL, EDI 8	
34980	CLAMPING PROFILE, FR. PANEL, EDI6	
34982	SCREW M5X12, HALF-ROUND HD. COMBI	
34992	REAR UPPER PANEL, EDI 6	
34993	TOP UPPER PANEL, EDI 6	
34994	BASE REAR PANEL, EDI 6	
34995	FRONT PANEL, EDI 6	
35110	REINF.SUPPORT, TANK BOTTM.GUARD, ED	
35171	CURV. ELAST. SPACER, DIAM. 5	
35231	FLAT WASHER 8 X 24	
450516	GUAINA TERM. 2 TUBI INOX H=109	
450821	PIASTRINA FASTNER 5 MA	



Door Components

Code	Description	
00991	ROLL FLAT PROFILE 15X5	
18104	HANDLE ED 600/700/900/90	
18730	FIX.PLATE, MAGNETIC COUNTER	
25252	GASKET OR 108	
25746	SPACER, FLAT, DIAM.6/18	
25750	SPACER, SPLITTED, DIAM. 6	
25775	NUT 6 MA	
25776	NUTS 8 MA SS 18/8	
25777	NUTS 3 MA	
25781	NUTS 6 MA, THREADED/ZINCATED	
25791	SELF-LOCKING NUT 5 MA LOWER SIDE	
25792	SELF-LOCKING NUT 6 MA LOWER SIDE	
260537	RONDEL.INOX D.13X20X0,8-6592	
31335	BEVEL-HD SCREW 5X8, SPECIAL	
31343	SHOCK ABSORBER, DOOR ED 630/90	
31828	DENTED ROUND SPACER, EX ? 3	
31910	HALF-ROUND SCREW 5 X 8T	
32968	MAGNETIC SENSOR	
32969	MAGNET FOR CONTACT M350 AP	
32970	BEVEL, CROSS-SLOT HD. SCREW TS 3 X	
33277	SELF-TAPPING SCREW TSP 2,9 X 9,5	
34087	FLANGED NUT M5 A2 DIN 6923	
34851	DOOR PIVOT, EDI, LEFT	
34852	DOOR PIVOT, EDI, RIGHT	
34854	COMPENSAT.LEVER FOR DOOR EDI	
34859	UPPER DOOR GUIDE, EDI	
34860	DOOR-RAIS. STAY, UPPER, EDI	
34861	DOOR-RAIS. STAY PIVOT, EDI	
34894	SPRING CLIPPING BRACKET, EDI	
34927	DOOR SPRING, EDI	
34958	UPPER DOOR, EDI 8	
34959	UPPER DOOR INNER PANEL, EDI 8	
34960	LOWER DOOR INNER PANEL, EDI 8	
34961	LOWER DOOR, EDI 8	
34982	SCREW M5X12, HALF-ROUND HD. COMBI	
34984	UPPER DOOR EDI 6	
34985	UPPER DOOR INNER PANEL, EDI 6	
34987	UPPER DOOR INNER PANEL, EDI 6	
34988	LOWER DOOR EDI 6	
35006	BUSH, HOUSING, SERIES EDI	
35177	NUT 3/8"G SS	
36282	VITE TC 5 X 30 INOX DIN7985 A2	

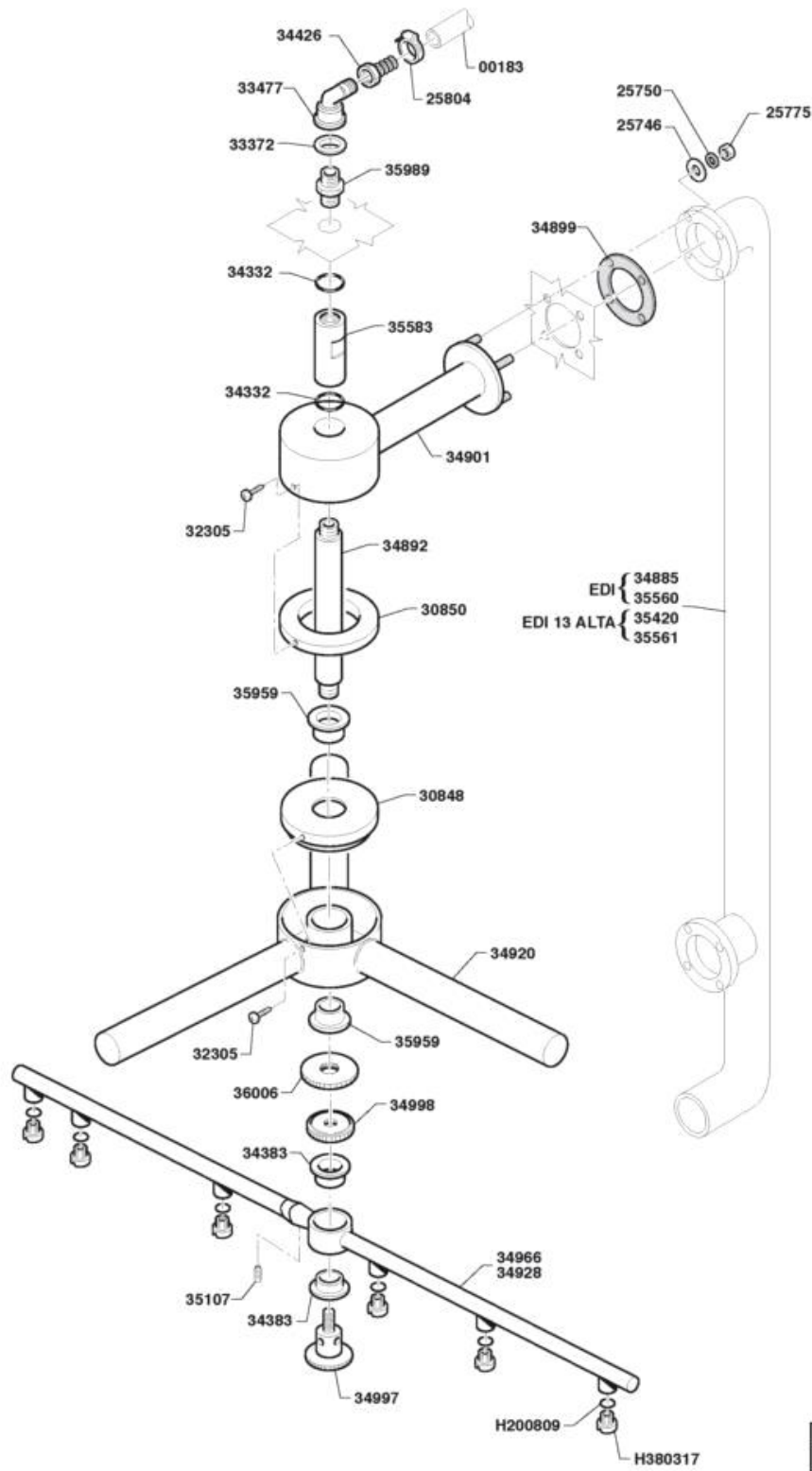
Upper Arm Wash/rinse



Upper Arm Wash/rinse

Code	Description	
00183	23/13 CALOR HOSE	
25746	SPACER, FLAT, DIAM.6/18	
25750	SPACER, SPLITTED, DIAM. 6	
25775	NUT 6 MA	
25804	HOSE CLIP 15-24 ABA	
30848	FLANGE FOR LARGE TURBO COVER	
30850	COVER, TURBO WASH BOX, LARGE	
32305	BEV.HD, CROSS SL. SELF-TAPPING SCRE	
33477	ELBOW FEM/FEM. 3/8 1/4 C140-155	
33478	LOCK NUT, WASHARM C140-155	
34332	GASKET OR 128 SUPP.PLUG	
34383	BUSH SPRING HUB, RINSE ROT.ARM	
34426	PIPE UNION 1/4 G FOR C90	
34885	DELIVERY HOSE, WASH, EDI	
34891	RINSE DELIVERY ESTENSION, EDI	
34892	DRIV.SHAFT, ROT. ARM, EDI	
34899	GASKET FOR DELIV.HOSE FLANGE, EDI	
34901	ROT.ARM SUPPORT, SERIES EDI	
34920	ROT.WASHARM EDI 6813	
34928	RINSE ROT. ARM, EDI 6/13	
34966	RINSE ROTATING ARM, EDI 8	
34997	PIN, RINSE REVOLV.ARM,RIGHT	
34998	SPAC.NUT, REVOLV RINSE ARM, DX	
35107	DOWEL FOR FLT.GSKT 4X4, DIN 913	
35420	WASH SUPPLY PIPE EDI, HIGH	
35560	WASH DELIV.PIPE EDI13, RIGHT	
35561	WASH DELIV.PIPE EDI13, HIGH, RIGHT	
35959	BUSH, REVOLV.WASHARM HUB, EDI	
H200809	OR GASKET 1,78X7,66X11,21 VITON	
H380333	S/S RINSE JET OV120 80LT 1/8"	

Upper Arm Wash/rinse

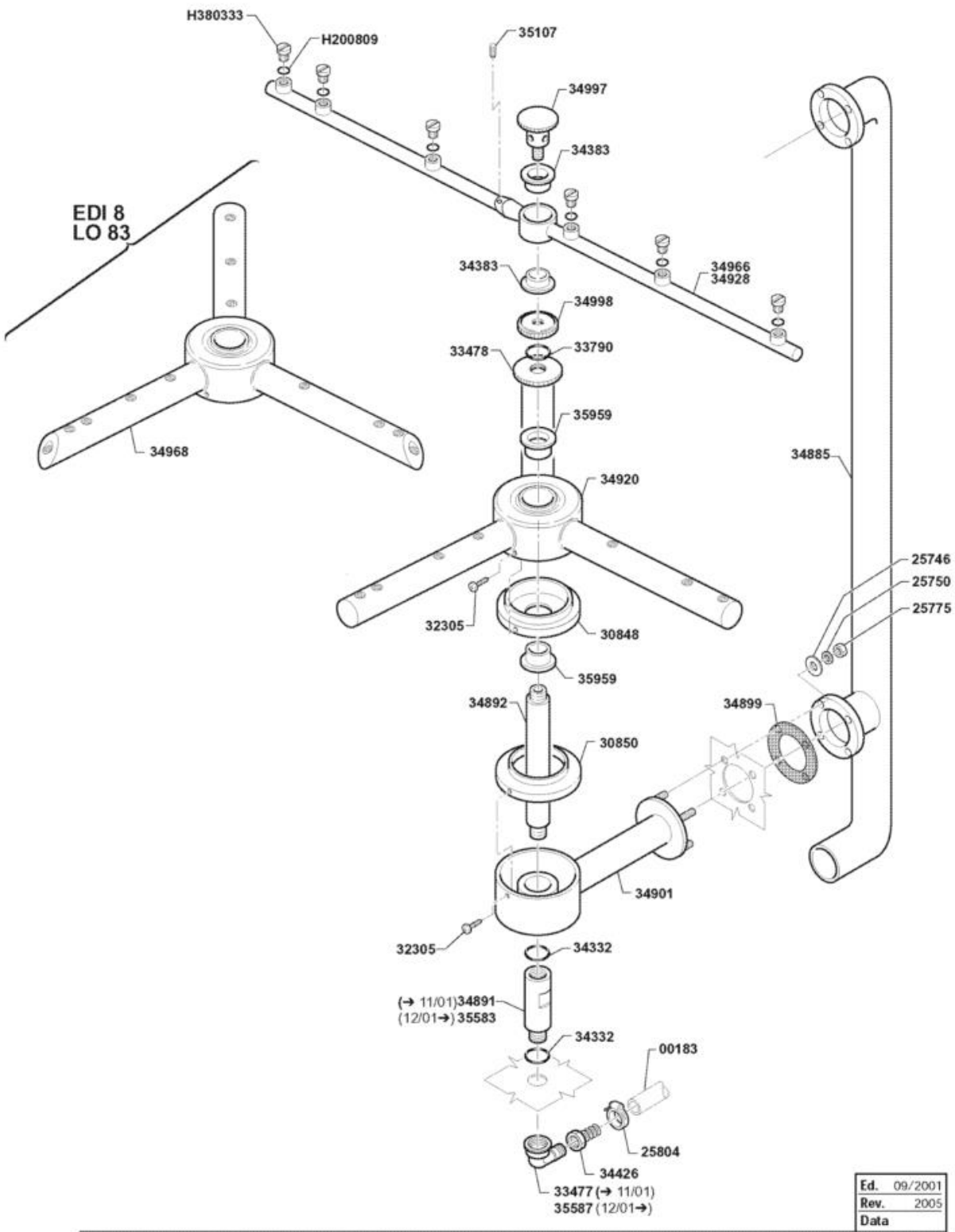


HANSEN design s.p.a. 0031 - 228204

Ed.	2008
Rev.	
Data	

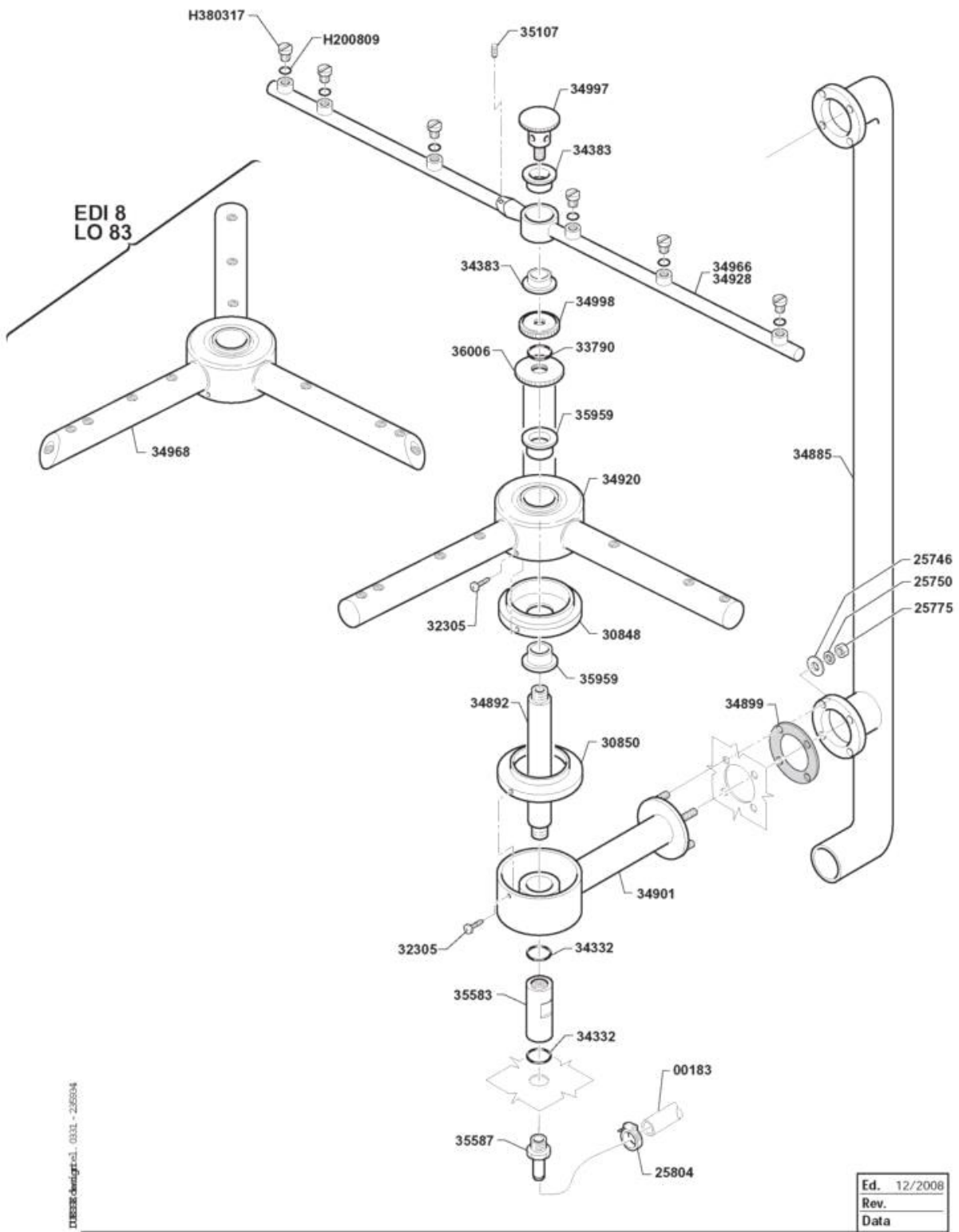
Upper Arm Wash/rinse

Code	Description	
00183	23/13 CALOR HOSE	
25746	SPACER, FLAT, DIAM.6/18	
25750	SPACER, SPLITTED, DIAM. 6	
25775	NUT 6 MA	
25804	HOSE CLIP 15-24 ABA	
30848	FLANGE FOR LARGE TURBO COVER	
30850	COVER, TURBO WASH BOX, LARGE	
32305	BEV.HD, CROSS SL. SELF-TAPPING SCRE	
33372	GASKET 24X17X2 FASIT OMNIA	
33477	ELBOW FEM/FEM. 3/8 1/4 C140-155	
34332	GASKET OR 128 SUPP.PLUG	
34383	BUSH SPRING HUB, RINSE ROT.ARM	
34426	PIPE UNION 1/4 G FOR C90	
34885	DELIVERY HOSE, WASH, EDI	
34892	DRIV.SHAFT, ROT. ARM, EDI	
34899	GASKET FOR DELIV.HOSE FLANGE, EDI	
34901	ROT.ARM SUPPORT, SERIES EDI	
34920	ROT.WASHARM EDI 6813	
34928	RINSE ROT. ARM, EDI 6/13	
34966	RINSE ROTATING ARM, EDI 8	
34997	PIN, RINSE REVOLV.ARM,RIGHT	
34998	SPAC.NUT, REVOLV RINSE ARM, DX	
35107	DOWEL FOR FLT.GSKT 4X4, DIN 913	
35420	WASH SUPPLY PIPE EDI, HIGH	
35560	WASH DELIV.PIPE EDI13, RIGHT	
35561	WASH DELIV.PIPE EDI13, HIGH, RIGHT	
35583	LOWER RINSE SUPPLY EXTENSION,EDI	
35959	BUSH, REVOLV.WASHARM HUB, EDI	
35989	NIPPLES 3/8 M/M SS	
36006	S.S.304 BUSHING, REVOLV.WASHARM	
H200809	OR GASKET 1,78X7,66X11,21 VITON	
H380317	NEBULIZZ. OV 1/8" 303 125lt 80	



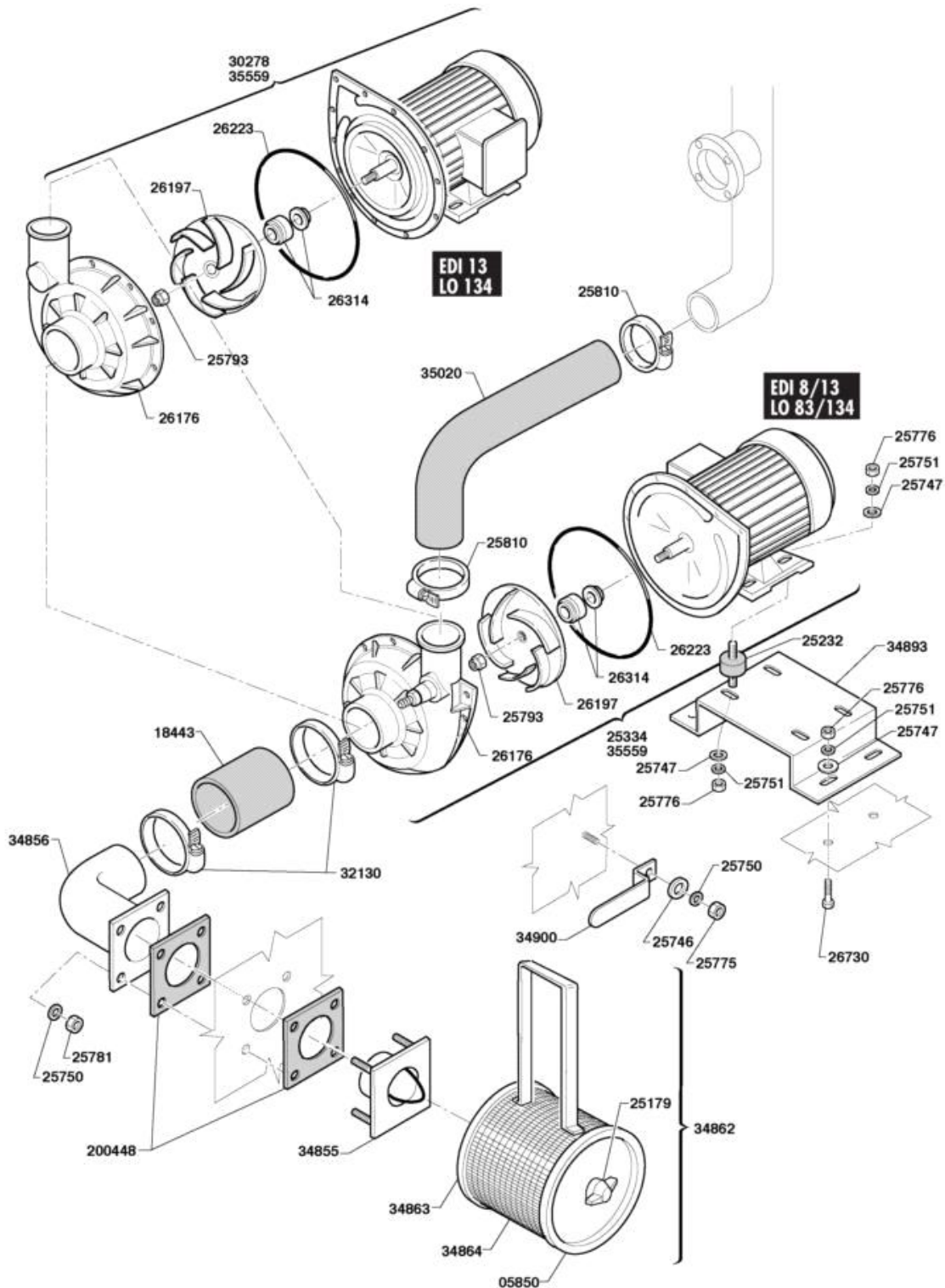
Lower Arm Wash/rinse

Code	Description	
00183	23/13 CALOR HOSE	
200809	GUARN.OR 1,78X7,66X11,21 VITON	
25746	SPACER, FLAT, DIAM.6/18	
25750	SPACER, SPLITTED, DIAM. 6	
25775	NUT 6 MA	
25804	HOSE CLIP 15-24 ABA	
30848	FLANGE FOR LARGE TURBO COVER	
30850	COVER, TURBO WASH BOX, LARGE	
32305	BEV.HD, CROSS SL. SELF-TAPPING SCRE	
33477	ELBOW FEM/FEM. 3/8 1/4 C140-155	
33478	LOCK NUT, WASHARM C140-155	
33790	GASKET OR 2X9,5X13,5 F.S.	
34332	GASKET OR 128 SUPP.PLUG	
34383	BUSH SPRING HUB, RINSE ROT.ARM	
34426	PIPE UNION 1/4 G FOR C90	
34885	DELIVERY HOSE, WASH, EDI	
34891	RINSE DELIVERY ESTENSION, EDI	
34892	DRIV.SHAFT, ROT. ARM, EDI	
34899	GASKET FOR DELIV.HOSE FLANGE, EDI	
34901	ROT.ARM SUPPORT, SERIES EDI	
34920	ROT.WASHARM EDI 6813	
34928	RINSE ROT. ARM, EDI 6/13	
34966	RINSE ROTATING ARM, EDI 8	
34968	WASH ROTATING ARM, EDI 8	
34997	PIN, RINSE REVOLV.ARM,RIGHT	
34998	SPAC.NUT, REVOLV RINSE ARM, DX	
35107	DOWEL FOR FLT.GSKT 4X4, DIN 913	
35583	LOWER RINSE SUPPLY EXTENSION,EDI	
35587	HOSE FITTING DIAM 3/8" G MALE	
35959	BUSH, REVOLV.WASHARM HUB, EDI	



Lower Arm Wash/rinse

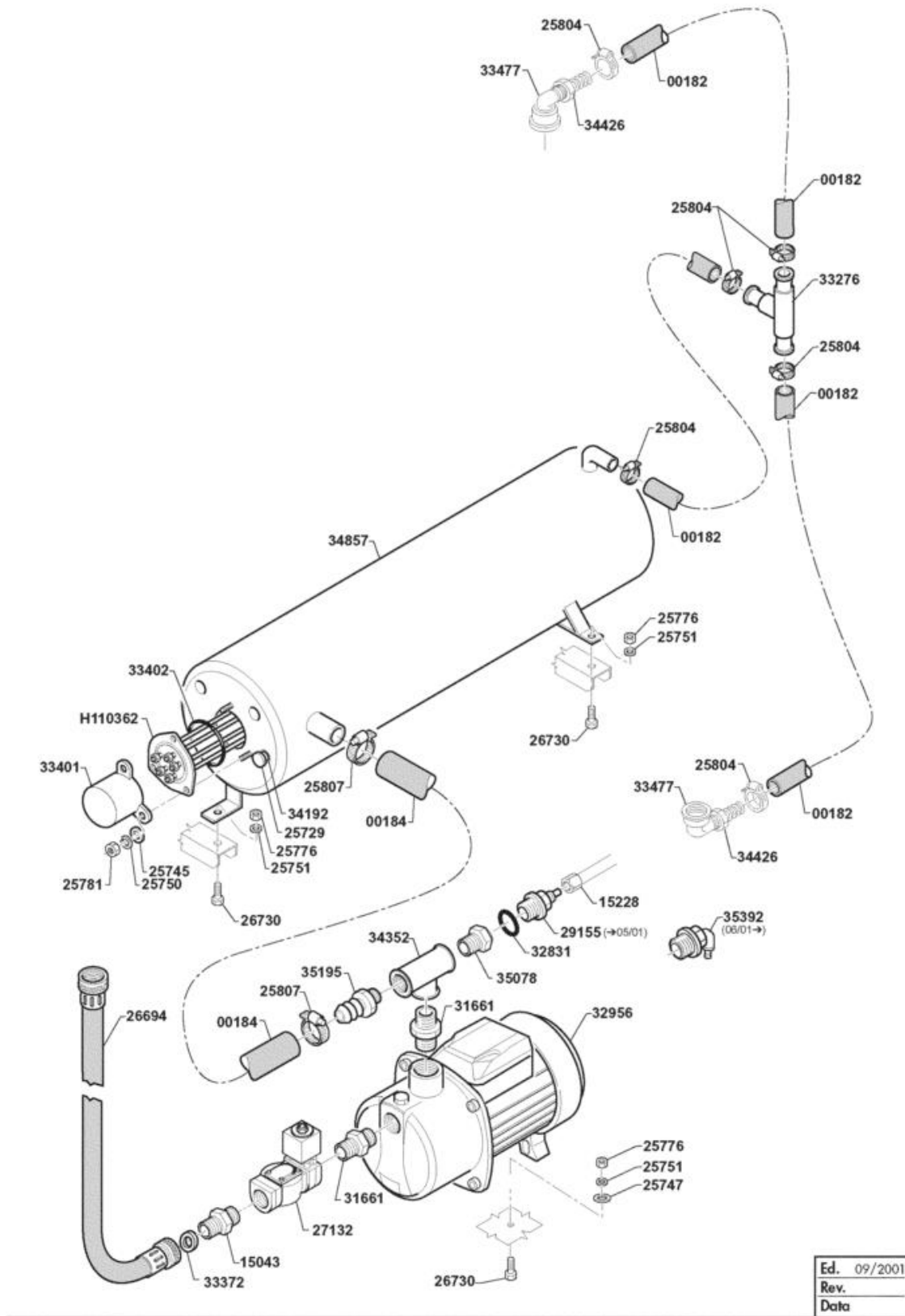
Code	Description	
00183	23/13 CALOR HOSE	
200809	GUARN.OR 1,78X7,66X11,21 VITON	
25746	SPACER, FLAT, DIAM.6/18	
25750	SPACER, SPLITTED, DIAM. 6	
25775	NUT 6 MA	
25804	HOSE CLIP 15-24 ABA	
30848	FLANGE FOR LARGE TURBO COVER	
30850	COVER, TURBO WASH BOX, LARGE	
32305	BEV.HD, CROSS SL. SELF-TAPPING SCRE	
33790	GASKET OR 2X9,5X13,5 F.S.	
34332	GASKET OR 128 SUPP.PLUG	
34383	BUSH SPRING HUB, RINSE ROT.ARM	
34885	DELIVERY HOSE, WASH, EDI	
34892	DRIV.SHAFT, ROT. ARM, EDI	
34899	GASKET FOR DELIV.HOSE FLANGE, EDI	
34901	ROT.ARM SUPPORT, SERIES EDI	
34920	ROT.WASHARM EDI 6813	
34928	RINSE ROT. ARM, EDI 6/13	
34966	RINSE ROTATING ARM, EDI 8	
34968	WASH ROTATING ARM, EDI 8	
34997	PIN, RINSE REVOLV.ARM,RIGHT	
34998	SPAC.NUT, REVOLV RINSE ARM, DX	
35107	DOWEL FOR FLT.GSKT 4X4, DIN 913	
35583	LOWER RINSE SUPPLY EXTENSION,EDI	
35587	HOSE FITTING DIAM 3/8" G MALE	
35959	BUSH, REVOLV.WASHARM HUB, EDI	
36006	S.S.304 BUSHING, REVOLV.WASHARM	
380317	NEBULIZZ. OV 1/8" 303 125lt 80	



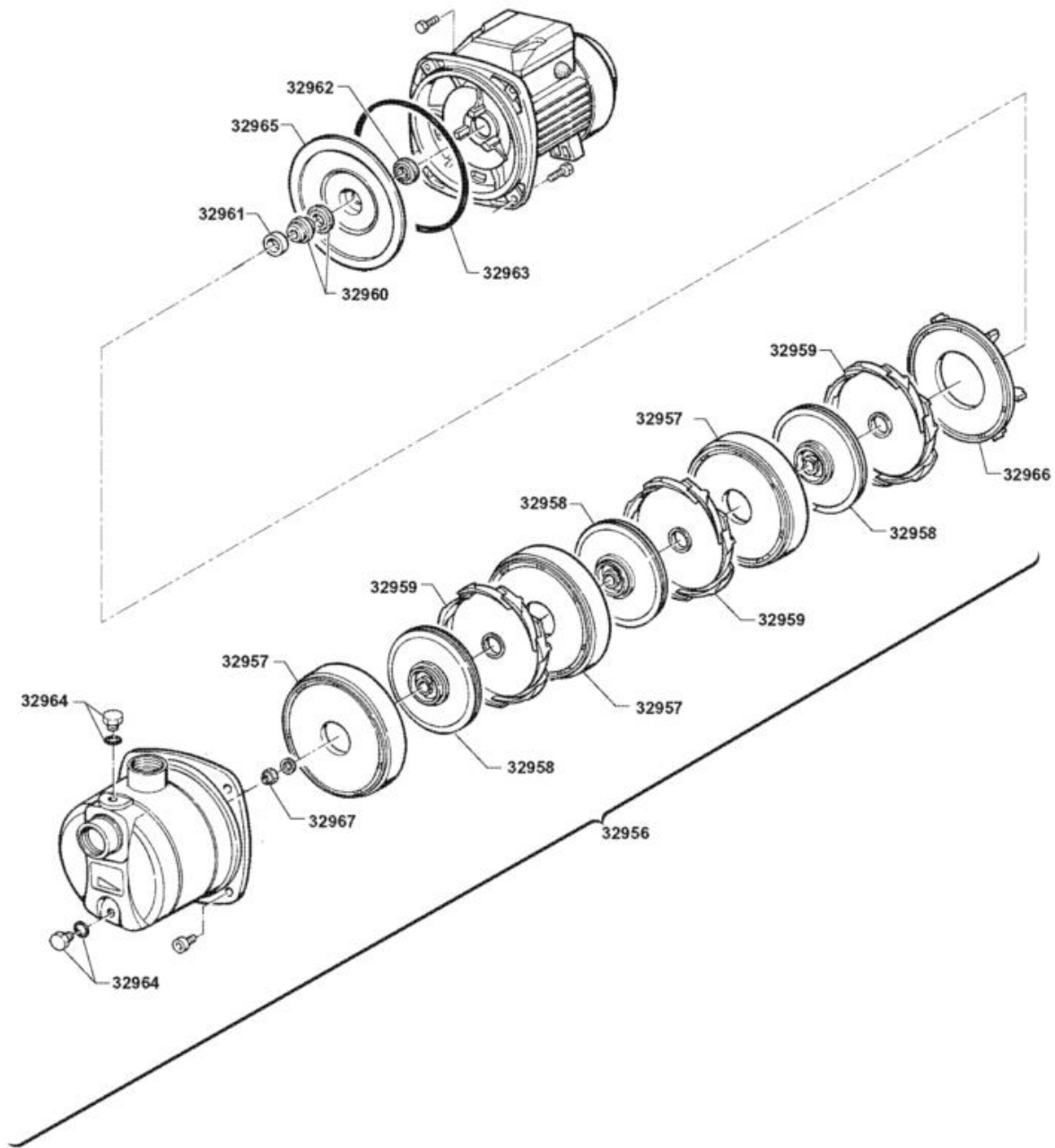
Ecl.	2002
Rev.	11/2011
Data	

Wash Pump

Code	Description	
05850	COVER UPPER FILTER PUMP	
18443	INLET SLEEVE 900/90-D60X70X80	
25179	WING NUT, RINSE ARM	
25232	ISOLATOR 2 PINS 8 MA 30x20	
25334	WASH PUMP CENTRIF.DX HP 3,2	
25746	SPACER, FLAT, DIAM.6/18	
25747	SPACER, FLAT, DIAM. 8	
25750	SPACER, SPLITTED, DIAM. 6	
25751	SPACER. SPLITTED, DIAM. 8	
25775	NUT 6 MA	
25776	NUTS 8 MA SS 18/8	
25781	NUTS 6 MA, THREADED/ZINCATED	
25793	SELF-LOCKING NUT 8 MA LOWER SIDE	
25810	HOSE CLIP 55-70	
26176	COVER, WASH PUMP HP 3 RIGHT	
26197	IMPELLER WASH P.HP2,7-3 DX	
26223	GASKET, COVER PUMP	
26314	SHAFT SEAL, WASH PUMP HP 1,5/2	
26730	SCREW TE M 8 X 20	
30278	CENTRIF.WASH PUMP, LEFT, HP 3,2	
32130	HOSE CLIP 60-80	
34855	PIPE INSIDE TANK, PUMP SUCTION, EDI	
34856	PUMP SUCTION PIPE, EDI	
34863	BOTTOM PLATE, FILTER CPL EDI	
34864	CASING, FILTER EDI 6/8/13	
34893	WASH PUMP PLATE, EDI	
34900	FILTER GRIP JUMPER, EDI	
35020	DELIVERY SLEEVE, C 81/C 90	
35559	WASH PUMP HP3,2 DX 1243 T FIR	



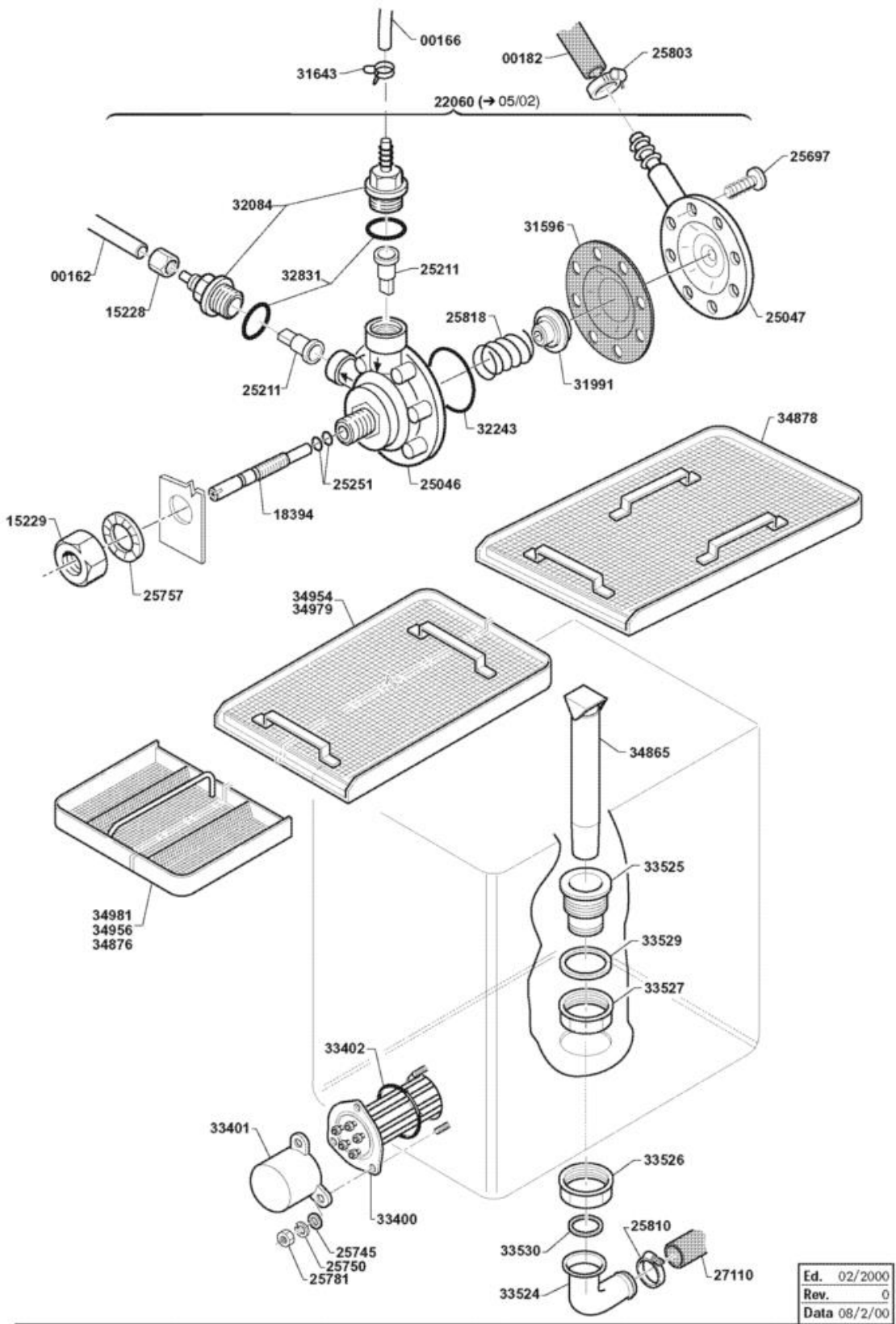
Code	Description	
00182	HOSE 11X19 CASER/15"BLUE"	
00184	19X29 ANTICAL HOSE	
110362	RESISTENZA FL. 9000W 230V	
15043	BRASS NIPPLES 3/4 M/M	
15228	RING FOR RINSING SOLUTION TUBE	
25729	SCREW HEX.HD 8 X 12 SS	
25745	SPACER, FLAT, DIAM.6	
25747	SPACER, FLAT, DIAM. 8	
25750	SPACER, SPLITTED, DIAM. 6	
25751	SPACER. SPLITTED, DIAM. 8	
25776	NUTS 8 MA SS 18/8	
25781	NUTS 6 MA, THREADED/ZINCATED	
25804	HOSE CLIP 15-24 ABA	
25807	HOSE CLIP 26-38 ABA	
26694	INLET TUBE NYLON M.2 dia.15	
26730	SCREW TE M 8 X 20	
27132	INDUSTR.SOLENOID VALVE 3/4"	
29155	FITTING, DISPENSER VALVE SR	
31661	THREADED P.UNION 1"-3/4" M/M	
32831	GASKET OR 2062	
32956	WASH PUMP PRESS.SW. 0,85 HP	
33276	T-SHAPED CONNECTOR ?11,5-PART180413	
33372	GASKET 24X17X2 FASIT OMNIA	
33401	COVER, HEATING ELEMENT H 50 (HIGH)	
33402	GASKET OR 6X56X68	
33477	ELBOW FEM/FEM. 3/8 1/4 C140-155	
34192	SEAL WASHER	
34352	T-SHAPED PIPE UNION, BRASS, 3/4"	
34426	PIPE UNION 1/4 G FOR C90	
34857	BOILER CPL EDI	
35078	ADAPTER, 3/4"M - 3/8"F, BRASS	
35195	HOSE FITTING M DA 3/4" x 20	
35392	90? VALVE FITTING, RINSE AID H/C	



Ed.	02/2000
Rev.	0
Data	08/2/00

Rinse Pump

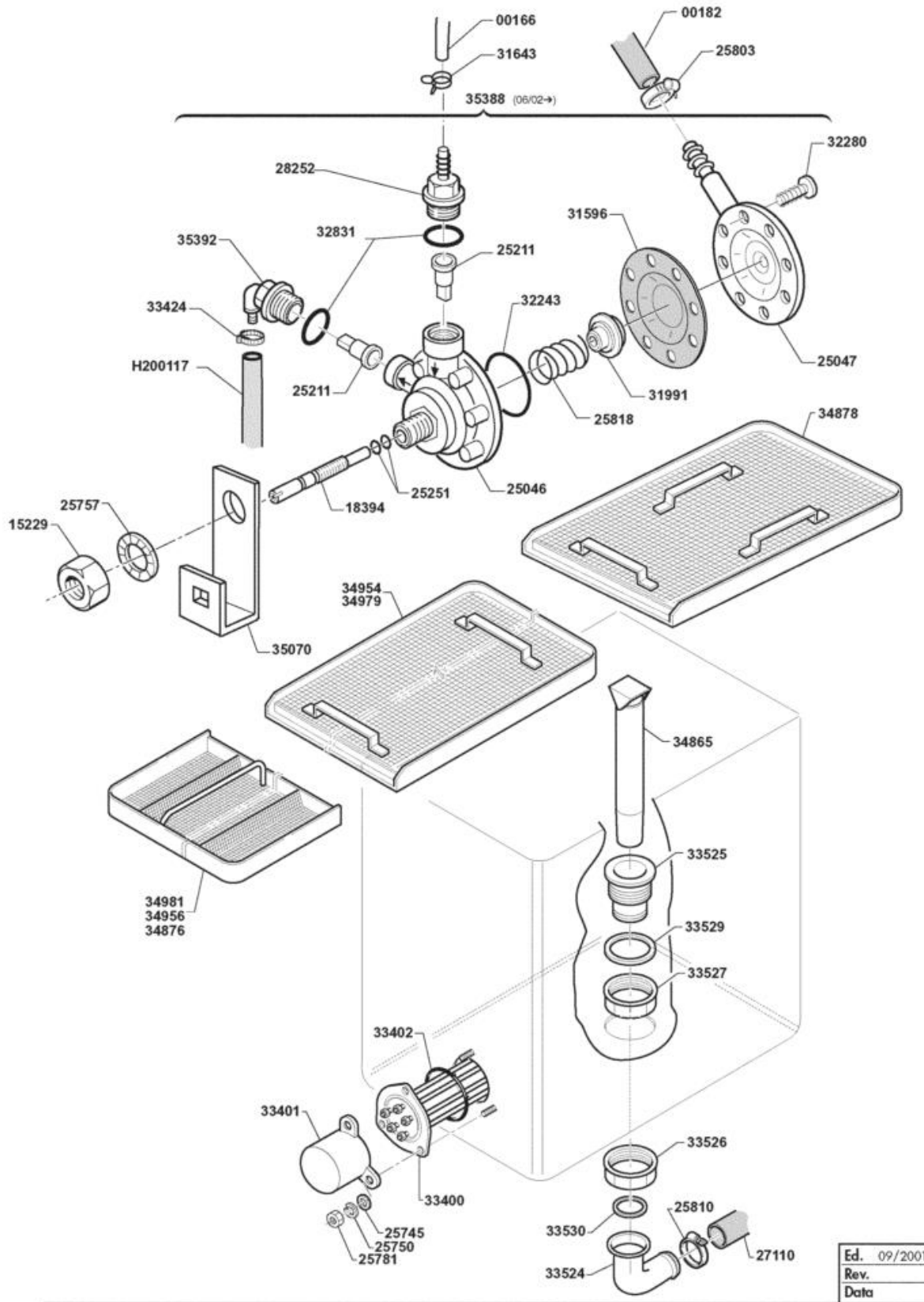
Code	Description	
32956	WASH PUMP PRESS.SW. 0,85 HP	
32957	COVER FOR PUMP 3CR 100	
32958	IMPELLER FOR PUMPQ 3CR 100	
32959	DIFFUSER FOR PUMP 3CR 100	
32960	MECH.SEAL.PUMP 3CR 100 use35371	
32961	SPACER RING 3CR 100	
32962	SPACER, PUMP 3CR 100	
32963	GASKET, OR PUMP 3CR 100	
32964	PUMP PLUG 3CR 100	
32965	PUMP COVER CR 100	
32966	COUNTERDISC 3CR 100	
32967	PUMP NUT 3CR 100	



Ed.	02/2000
Rev.	0
Data	08/2/00

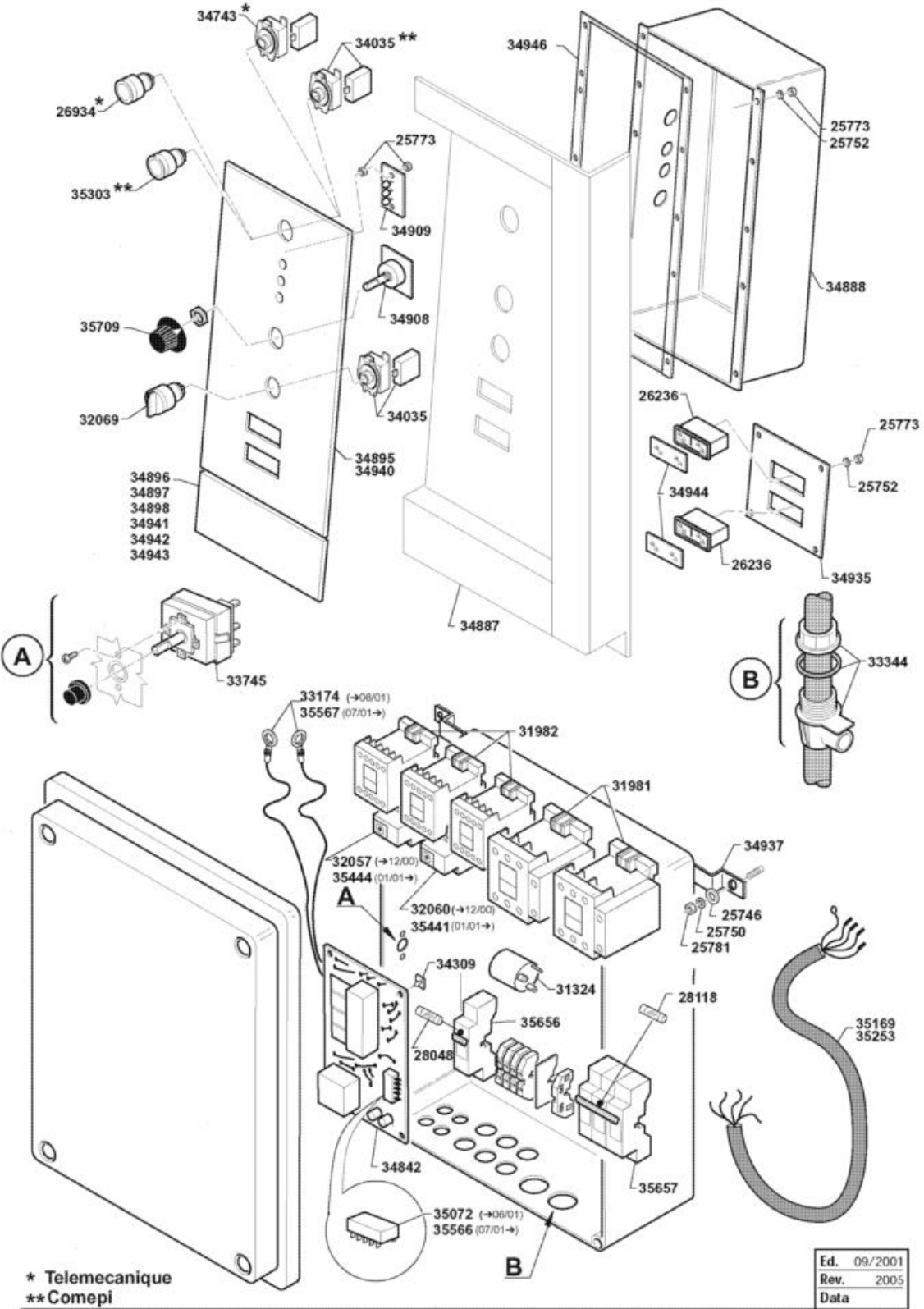
Drain/filters/rinsaid Pump

Code	Description	
00162	ROLL TUBE 6X4 RILSAN	
00166	ROLL TUBE TRANSP. 4X7	
00182	HOSE 11X19 CASER/15"BLUE"	
15228	RING FOR RINSING SOLUTION TUBE	
15229	LOCK NUT AID DISPENSER	
18394	SCREW CONTROL DISPENSER	
22060	RINSE AID DISP.PREASS."YELLOW"1?	
25046	UPPER DISPENSER ASSEMBLY	
25047	LOWER DISPENSER ASSEMBLY	
25211	NON RETURN VALVE RINSE AID DISP.	
25251	GASKET OR 2012	
25697	SELF-TAPPING SCREW CHEESE D747H.ROS	
25745	SPACER, FLAT, DIAM.6	
25750	SPACER, SPLITTED, DIAM. 6	
25757	TOOTHED SPACER DIAM. 12 D.E.D787	
25781	NUTS 6 MA, THREADED/ZINCATED	
25803	HOSE CLIP 13-20 ABA	
25810	HOSE CLIP 55-70	
25818	CYLINDER SPRING (WIRE)	
27110	DRAIN HOSE DIAM.33X1500	
31596	DIAPHRAGM, DISPENSER	
31643	HOSE CLIP 7,3-7,8	
31991	SPRING GUIDE FOR DISPENSER	
32084	FITTING KIT, SUCT/DELIV.VLV RINSE A	
32243	GASKET OR 3156	
32831	GASKET OR 2062	
33400	HEAT.EL.FL.6000W 220/380V (110349)	
33401	COVER, HEATING ELEMENT H 50 (HIGH)	
33402	GASKET OR 6X56X68	
33524	ELBOW 1"1/2, DRAIN N-S-F-C	
33525	DRAIN ELBOW 1"1/2 C85-140	
33526	NUT 1"1/2, ELBOW F45-C75	
33527	LOCK NUT 1 1/2" POLYPROP.	
33529	GASKET, NEOP.1 1/2D.65X47X2SP.	
33530	DRAIN GASKET 1"1/2 45X33X3	
34865	OVERFLOW TUBE EDI, H=449	
34876	TANK COLLECT. FILTER EDI 13	
34878	TANK FILTER, EDI 13	
34954	TANK FILTER, EDI 8	
34956	TANK COLLECT.FILTER, EDI 8	
34979	TANK FILTER, EDI 6	
34981	TANK COLLECT.FILTER, EDI 6	



Drain/filters/rinsaid Pump

Code	Description	
00166	ROLL TUBE TRANSP. 4X7	
00182	HOSE 11X19 CASER/15"BLUE"	
15229	LOCK NUT AID DISPENSER	
18394	SCREW CONTROL DISPENSER	
200117	TUBO GOMMA 8x15 CALORFORM/10	
25046	UPPER DISPENSER ASSEMBLY	
25047	LOWER DISPENSER ASSEMBLY	
25211	NON RETURN VALVE RINSE AID DISP.	
25251	GASKET OR 2012	
25745	SPACER, FLAT, DIAM.6	
25750	SPACER, SPLITTED, DIAM. 6	
25757	TOOTHED SPACER DIAM. 12 D.E.D787	
25781	NUTS 6 MA, THREADED/ZINCATED	
25803	HOSE CLIP 13-20 ABA	
25810	HOSE CLIP 55-70	
25818	CYLINDER SPRING (WIRE)	
27110	DRAIN HOSE DIAM.33X1500	
28252	FITTING SUCTION DISPENSER	
31596	DIAPHRAGM, DISPENSER	
31643	HOSE CLIP 7,3-7,8	
31991	SPRING GUIDE FOR DISPENSER	
32243	GASKET OR 3156	
32280	OVAL HD. CROSS-SL. SCREW 4 X 13	
32831	GASKET OR 2062	
33400	HEAT.EL.FL.6000W 220/380V (110349)	
33401	COVER, HEATING ELEMENT H 50 (HIGH)	
33402	GASKET OR 6X56X68	
33424	FE-ZN CLAMP 11-17 H=9	
33524	ELBOW 1"1/2, DRAIN N-S-F-C	
33525	DRAIN ELBOW 1"1/2 C85-140	
33526	NUT 1"1/2, ELBOW F45-C75	
33527	LOCK NUT 1 1/2" POLYPROP.	
33529	GASKET, NEOP.1 1/2D.65X47X2SP.	
33530	DRAIN GASKET 1"1/2 45X33X3	
34865	OVERFLOW TUBE EDI, H=449	
34876	TANK COLLECT. FILTER EDI 13	
34878	TANK FILTER, EDI 13	
34954	TANK FILTER, EDI 8	
34956	TANK COLLECT.FILTER, EDI 8	
34979	TANK FILTER, EDI 6	
34981	TANK COLLECT.FILTER, EDI 6	
35070	BRACKET, RINSE AID DISPENSER EDI	
35388	RINSE AID DISP."YELLOW" C/STS	
35392	90° VALVE FITTING, RINSE AID H/C	

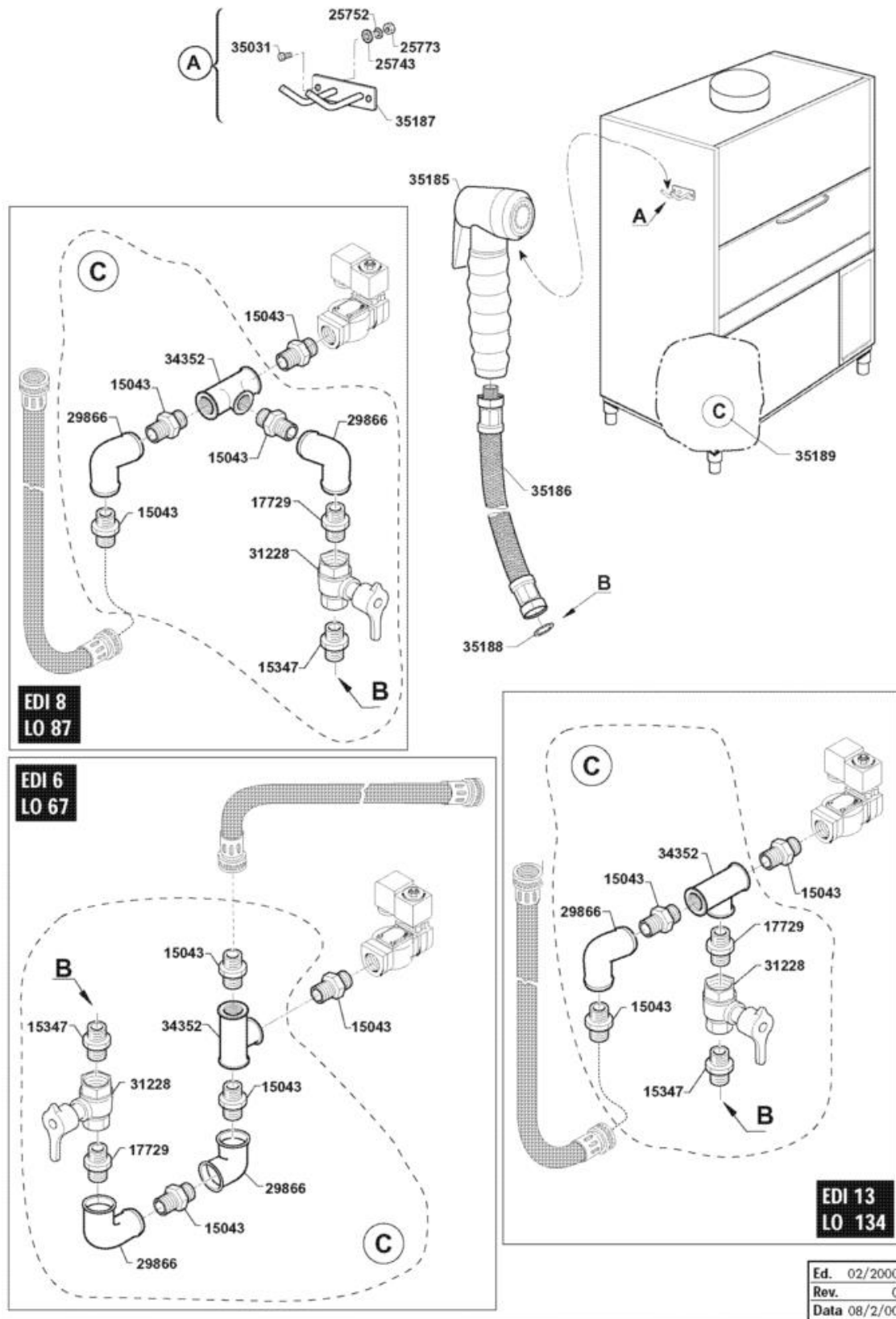


Electrical Components

Code	Description	
25746	SPACER, FLAT, DIAM.6/18	
25750	SPACER, SPLITTED, DIAM. 6	
25752	TOOTHED SPACER DIAM.4 D.E.	
25773	NUTS 4 MA SS 18/8	
25781	NUTS 6 MA, THREADED/ZINCATED	
26236	THERMOMETRE MT 2	
26934	PUSH-BUTTON TOP "YELLOW"	
28048	FUSE 10 X 38 6 A	
28118	FUSE 10 X 38 25 A	
31324	NOISE FILTER, TYPE 5001	
31981	CONTACTOR CN 18 - 220V 50HZ	
31982	CONTACTOR CN9 - 220V 50 HZ	
32057	THERMAL RELAY RF25 4-6 A RHN10	
32060	THERMAL RELAY 1,4-2,3 A.	
32069	LIGHTLESS SELECTOR 0/1	
33174	PROBE TEMPERATURE APS/STS	
33344	CABLE CLIP 5030 STEAB	
33745	LIMITER 110? MANUAL RESET	
34035	CONTACT ELEM. + BASE ECX 1031	
34309	FEET PCBHOLDER	
34743	ELEMENT NO + BASE TELEM.	
34842	PRINT.CIRC.BOARD DWEDI 13/8/6	
34887	FRONT CONTROL PANEL, EDI	
34888	CONTROL P. PROTECT. CAP	
34895	CTRL PANEL NAMEPLATE, SERIES EDI	
34896	NAMEPLATE, MOD. EDI 13	
34897	NAMEPLATE, MOD. EDI 8	
34898	NAMEPLATE, MOD. EDI 6	
34908	POTENTIOMETRE CYCLE SELECTOR	
34909	PRINT. CIRCUIT BOARD, LED LIGHT, ED	
34935	THERMOMETER FIX.PLATE, EDI	
34937	POWER BOX FIXING CROSSBAR	
34940	CTRL PANEL NAMEPLATE LO (BLUE)	
34941	NAMEPLATE, MOD. LO 134	
34942	NAMEPLATE, MOD. LO 83	
34943	NAMEPLATE, MOD. LO 67	
34944	SPACER FOR CLEAR THERMOMOTER	
34946	GASKET, CTRL P.PROT.CAP, EDI	
35072	MICROSW. DWED6/8/13V.1.06.27062000	
35169	P.SUPPL.WIRE 5x6x5000 TP.H07RN-F	
35253	SUPPLY WIRE 4x6x5000 230V/3	
35303	LIGHTED PUSHBUTT.,YELLOW ECX 1203	
35441	THERMAL RELAY ABB TA 25 DU 2,4	
35444	THERMAL RELAY ABB TA 25 DU 6,5	
35566	MICROP.DWEDI6/8/13 1.08-03.10.02	

Electrical Components

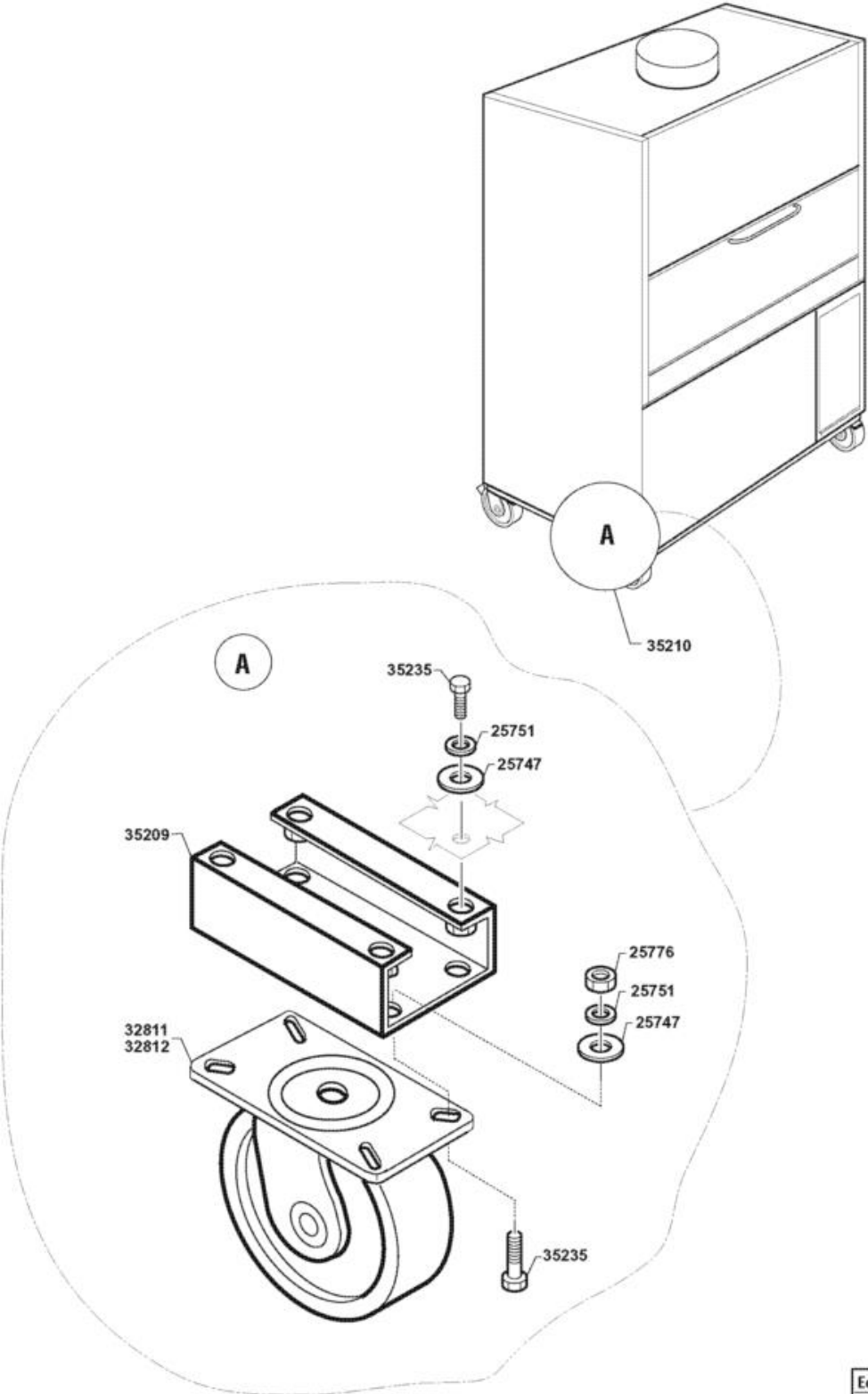
Code	Description	
35567	PROBE TEMP. NTC 3.3K YELLOW	
35656	DISCONNECTING SWITCH UNIPOL 10-38	
35657	DISCONNECTING SWITCH TRIPOL 10-38	
35709	KNOB, POTENTIOMETRE	



Ed.	02/2000
Rev.	0
Data	08/2/00

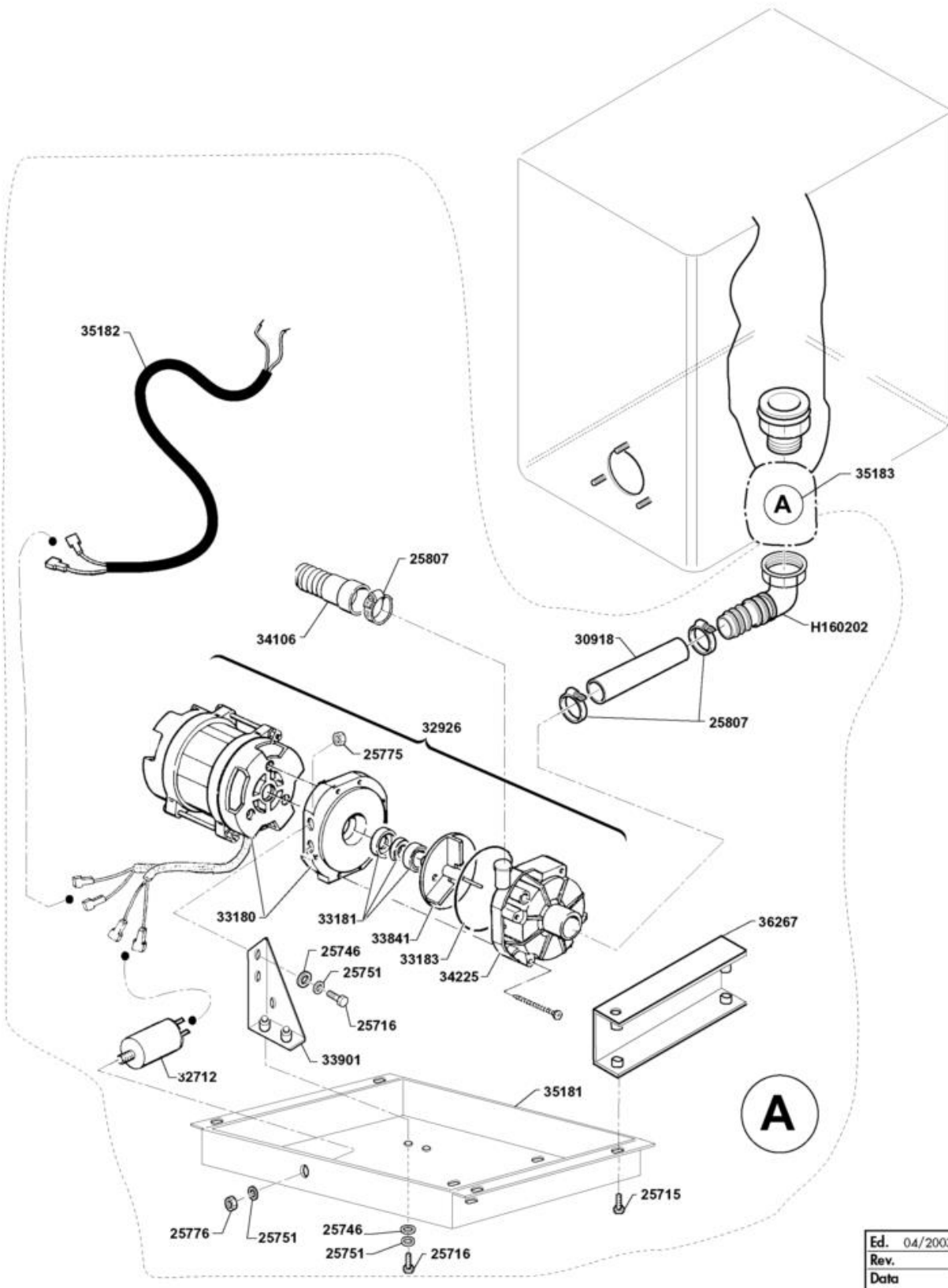
Shower Optional

Code	Description	
15043	BRASS NIPPLES 3/4 M/M	
15347	NIPPLE 1/2" M/M	
17729	ADAPTER 3/4"-1/2"	
25743	SPACER, FLAT, DIAM. 4	
25752	TOOTHED SPACER DIAM.4 D.E.	
25773	NUTS 4 MA SS 18/8	
29866	ELBOW FEMALE/FEM 3/4"	
31228	BALL COCK 1/2", EMBEDDED	
34352	T-SHAPED PIPE UNION, BRASS, 3/4"	
35031	BEVEL, CROSS-SL.HD SCREW M 4 X 12	
35185	KLARCO SHOWER ECO/R +LOG WASHER	
35186	FLEXIB.PIPE FOR SHOWER 2100x15	
35187	DOUCHE HOLDER	
35188	FLAT GASKET 19x11,5x2	
35189	SHOWER KIT, EDI 6/8/13	



Ed.	02/2000
Rev.	0
Data	08/2/00

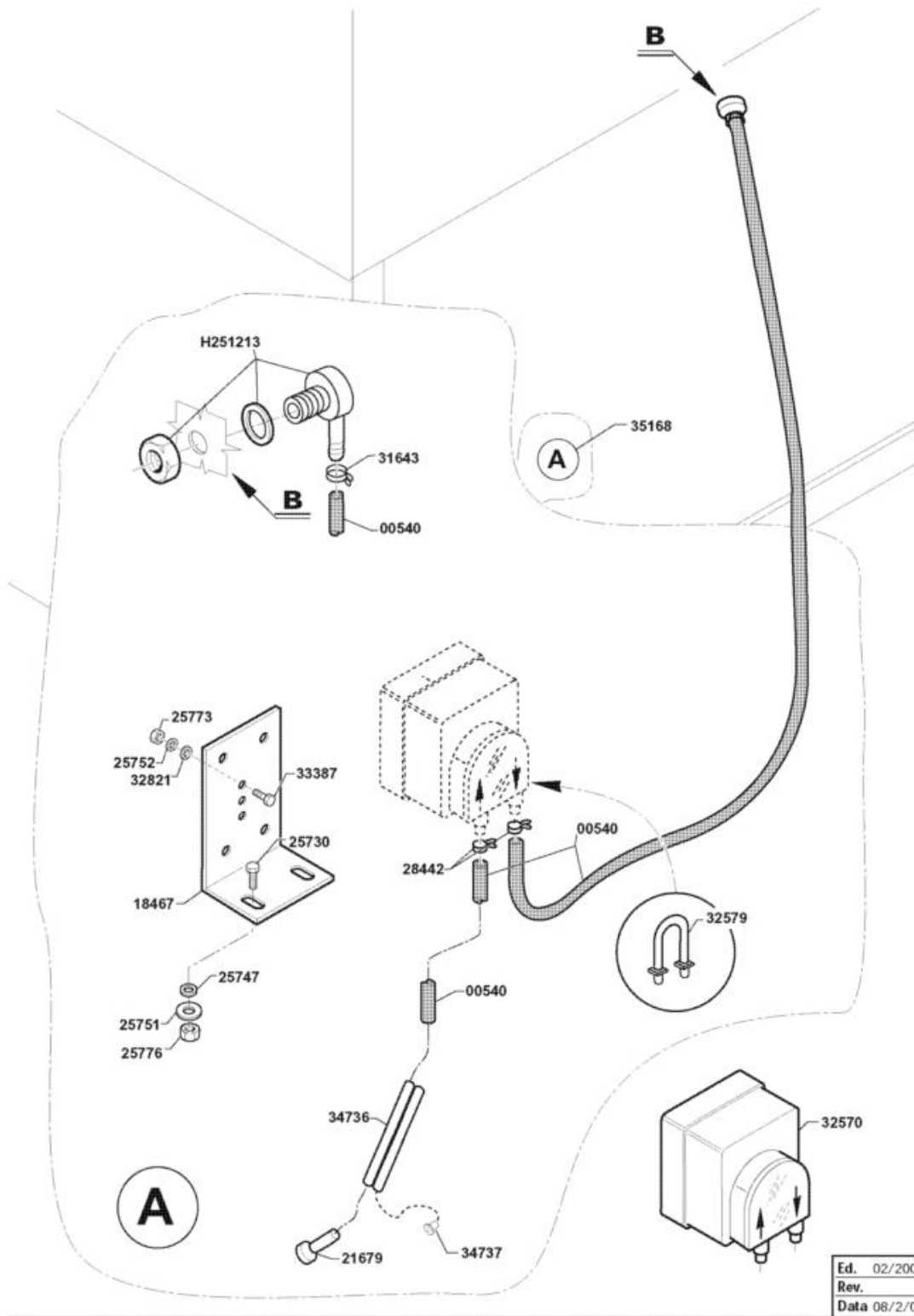
Code	Description
25747	SPACER, FLAT, DIAM. 8
25751	SPACER. SPLITTED, DIAM. 8
25776	NUTS 8 MA SS 18/8
32811	WHEEL 0 125 WITH BRAKE
32812	WHEEL 0 125, NO BRAKE
35209	HOLDER PLATE FOR WHEEL, EDI
35210	ACCESS.KIT, WHEEL MOUNT. EDI/C90
35235	HEX.HD SCREW M 8 X 15



Ed.	04/2003
Rev.	
Data	

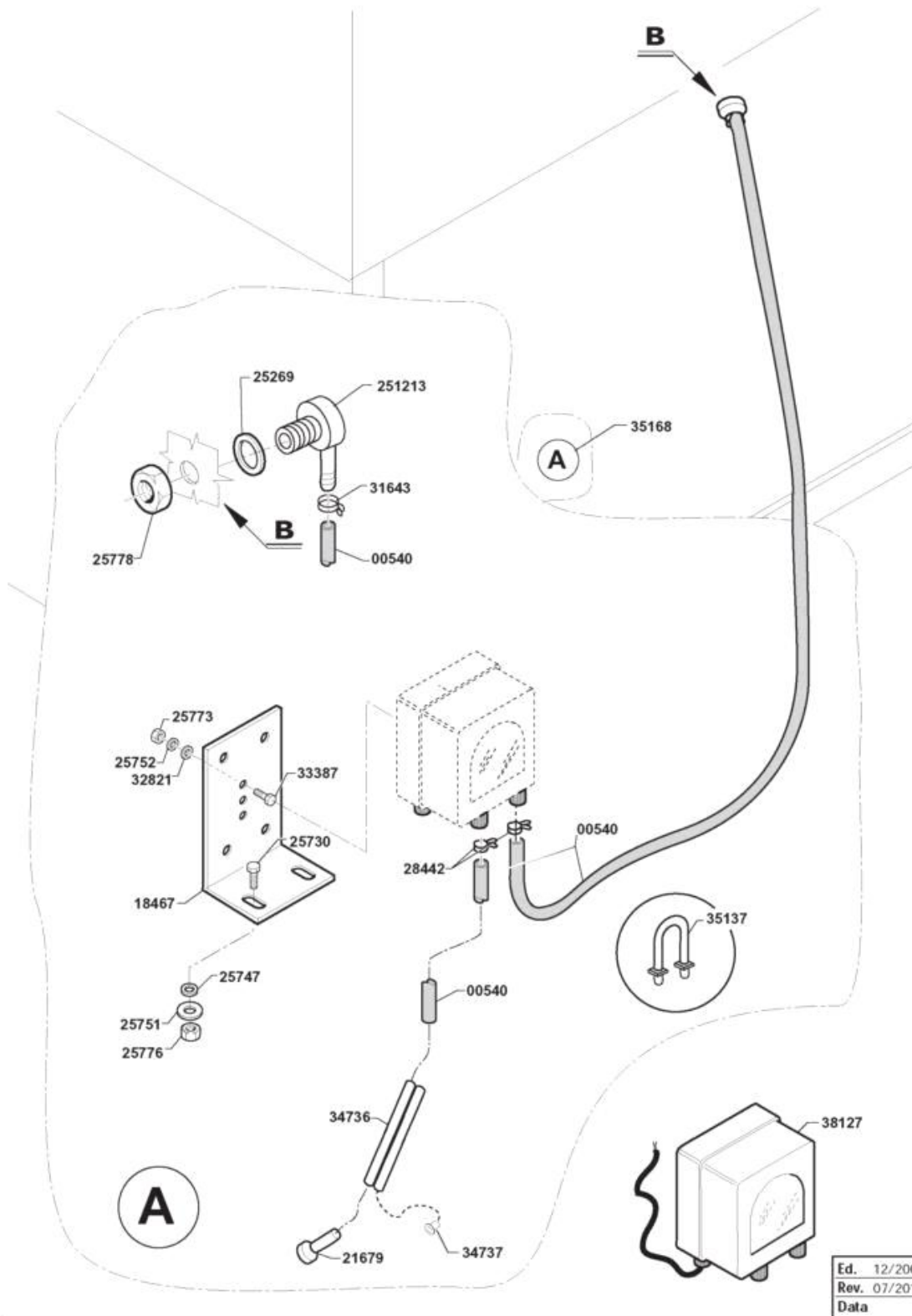
Drain Pump Optional

Code	Description	
160202	COD.CURVO 2 PRESE PIL.107868	
25715	SCREW HEX.HD M 6 X 16 SS	
25716	SCREW HEX.HD M 6 X 20 SS	
25746	SPACER, FLAT, DIAM.6/18	
25751	SPACER. SPLITTED, DIAM. 8	
25775	NUT 6 MA	
25776	NUTS 8 MA SS 18/8	
25807	HOSE CLIP 26-38 ABA	
30918	SLEEVE SUCTION DRAIN PUMP	
32712	CAPACITOR UF 6,3-450 V CPL.	
32926	DRAIN WASH PUMP HP0,15 50/60 HZ	
33180	PUMP BODY (32926) LGB	
33181	SHAFT SEAL C3 (LGB)FOR PUMP CODE 32	
33183	GASKET OR 75,87X2,62 LGB	
33841	IMPELLER DIAM.73, 3-BLADE, M7SX	
33901	PUMP PLATE, STS 43	
34106	DRAIN TUBE DR. D.20X1500	
34225	PUMP COVER 2212303/HO	
35181	HOLDER PLATE, DRAIN PUMP EDI	
35182	CABLE LOOM, DRAIN PUMP EDI	
35183	KIT, DRAIN PUMP, EDI 6/8/13	
36267	SUPP.PLATE, DRAIN PUMP	



Detergent Pump Optional

Code	Description	
00540	RED TUBE 8X4 ROLL	
18467	HOLDING SUPP. PUMP DISPENS.	
21679	FILTER DET.-RINSE AID PREASS.	
251213	PORTAG.A GOMITO INOX POMPA DET	
25730	SCREW HEX.HD M 8 X 25	
25747	SPACER, FLAT, DIAM. 8	
25751	SPACER. SPLITTED, DIAM. 8	
25752	TOOTHED SPACER DIAM.4 D.E.	
25773	NUTS 4 MA SS 18/8	
25776	NUTS 8 MA SS 18/8	
28442	WIRE CLIP	
31643	HOSE CLIP 7,3-7,8	
32570	DETERG. DISPENS WALL MOUNT. LP 120	
32579	INNER TUBE FOR DETERGENT P. 32570	
32821	FLAT WASHER DIAM 5,5/15	
33387	HEX.HD SCREW 4X16 SS A2 UNI 5739	
34736	COUNTERWEIGHT, DETERGENT HOSE	
34737	HOSE STOPPER FITTING	
35168	ACCESSOR.KIT, DETERG.PUMP, EDI	

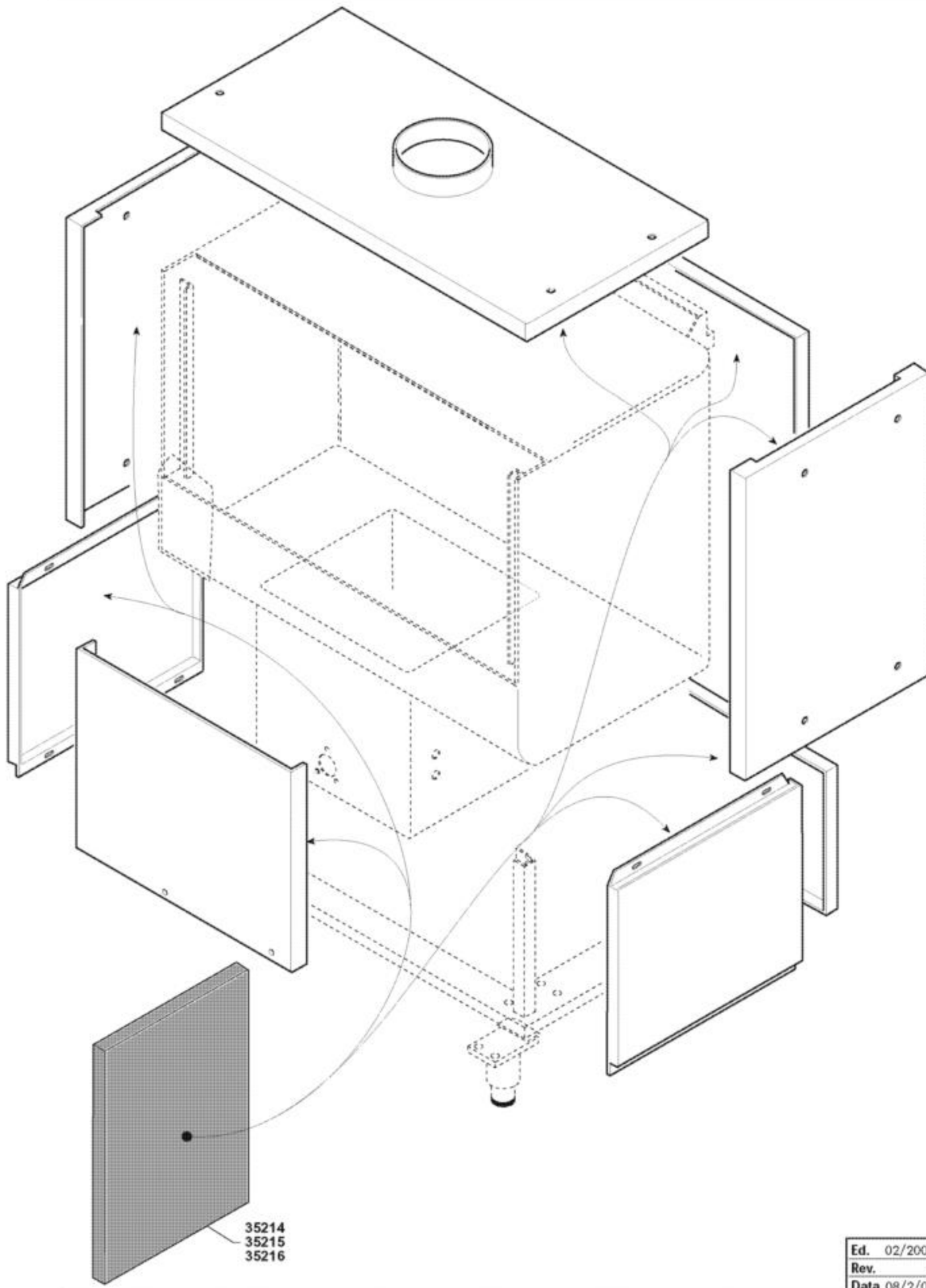


Ed.	12/2009
Rev.	07/2010
Data	

Detergent Pump Optional 2009 cod. 38127

Code	Description	
00540	RED TUBE 8X4 ROLL	
18467	HOLDING SUPP. PUMP DISPENS.	
21679	FILTER DET.-RINSE AID PREASS.	
251213	PORTAG.A GOMITO INOX POMPA DET	
25269	FLAT GASKET	
25730	SCREW HEX.HD M 8 X 25	
25747	SPACER, FLAT, DIAM. 8	
25751	SPACER. SPLITTED, DIAM. 8	
25752	TOOTHED SPACER DIAM.4 D.E.	
25773	NUTS 4 MA SS 18/8	
25776	NUTS 8 MA SS 18/8	
25778	NUTS 12 M 18/8 ss	
28442	WIRE CLIP	
31643	HOSE CLIP 7,3-7,8	
32821	FLAT WASHER DIAM 5,5/15	
33387	HEX.HD SCREW 4X16 SS A2 UNI 5739	
34736	COUNTERWEIGHT, DETERGENT HOSE	
34737	HOSE STOPPER FITTING	
35137	PUMP HOSE DET.SEKO PG3	
35168	ACCESSOR.KIT, DETERG.PUMP, EDI	
38127	POMPA PERISTALTICA SEKO PR 7	

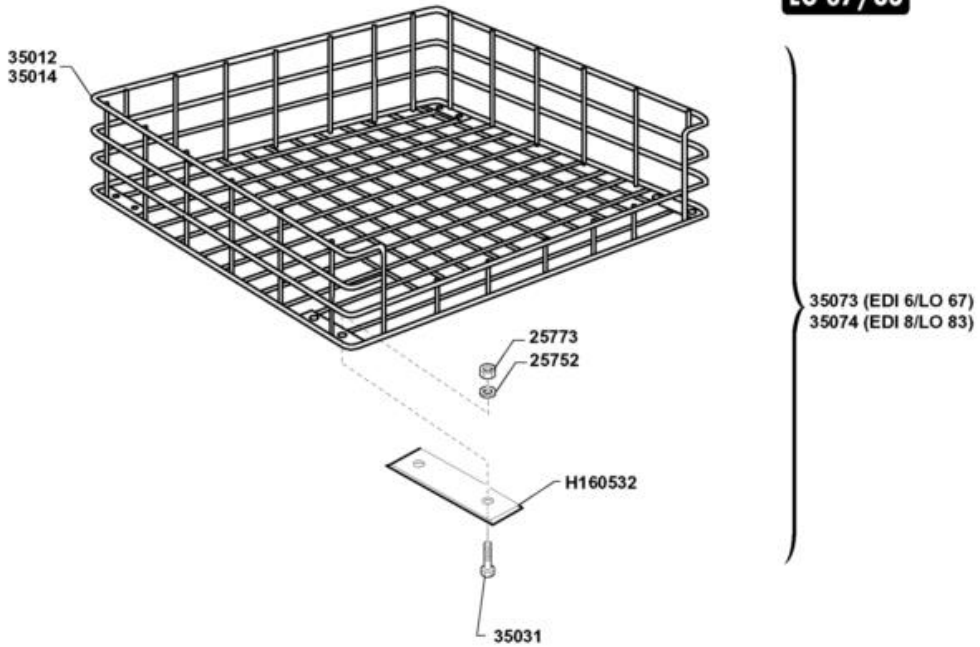
Panels For Acoustic And Thermic Isolation Optional



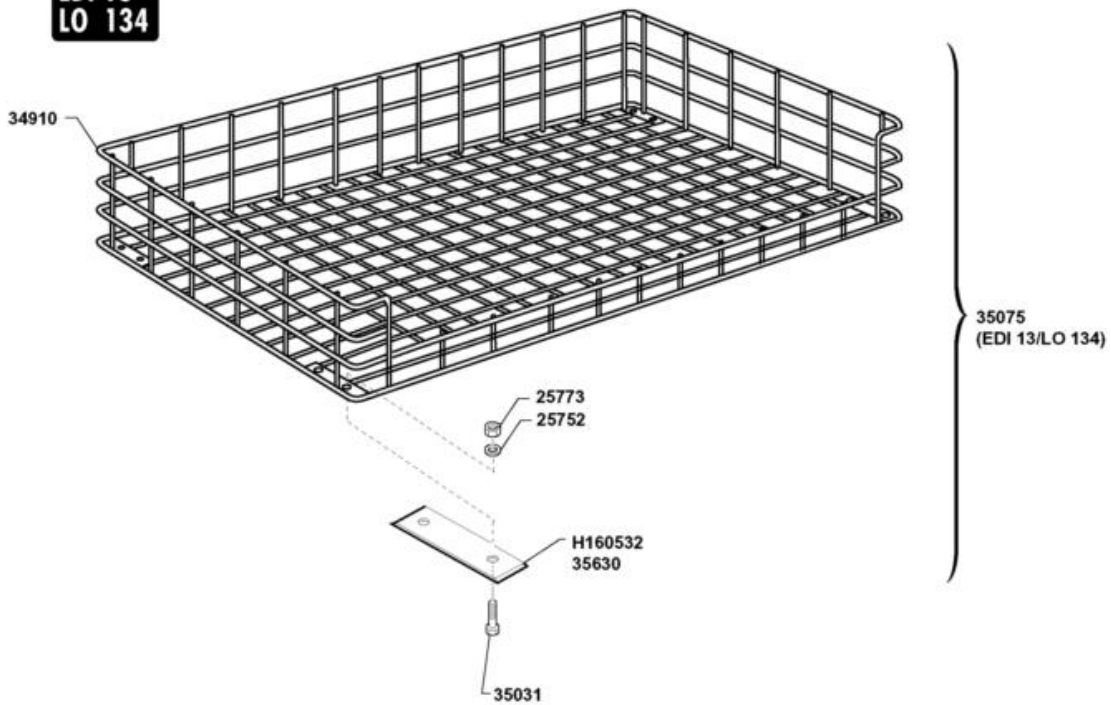
Panels For Acoustic And Thermic Isolation Optional

Code	Description	
35214	MACHINE INSULATION, EDI 6	
35215	MACHINE INSULATION, EDI 8	
35216	MACHINE INSULATION, EDI 13	

EDI 6/8
LO 67/83



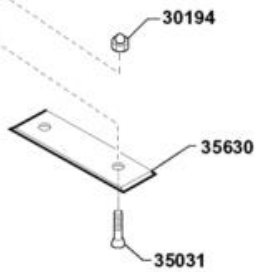
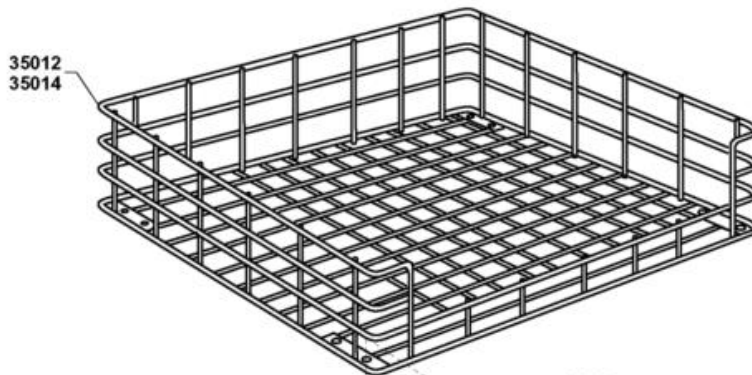
EDI 13
LO 134



Ed.	09/2001
Rev.	
Data	

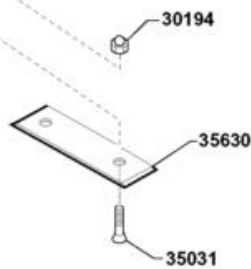
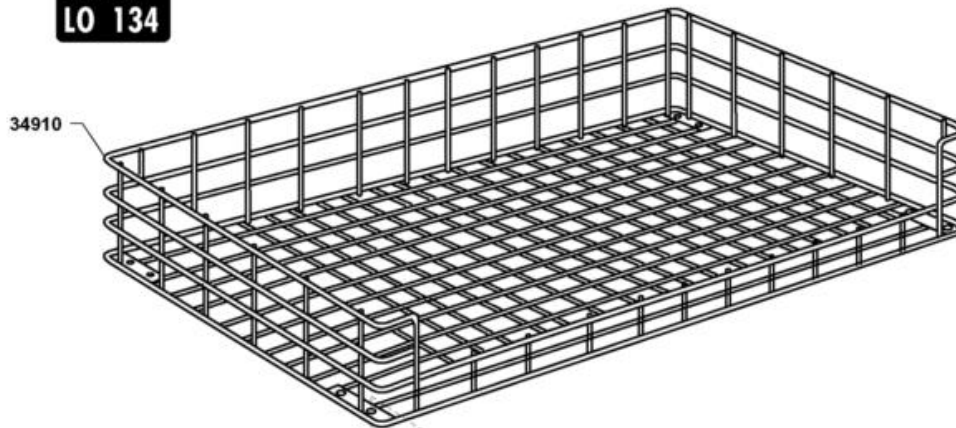
Code	Description	
25752	TOOTHED SPACER DIAM.4 D.E.	
25773	NUTS 4 MA SS 18/8	
34910	NET BASKET, EDI 13	
35012	NET BASKET EDI 6	
35014	NET BASKET EDI 8	
35031	BEVEL, CROSS-SL.HD SCREW M 4 X 12	
35073	NET BASKET EDI 6	
35074	NET BASKET EDI 8	
35075	NET BASKET EDI 13	
35630	BASKET PAS, SERIES EDI	

**EDI 6/8
LO 67/83**



35073 (EDI 6/LO 67)
35074 (EDI 8/LO 83)

**EDI 13
LO 134**



35075
(EDI 13/LO 134)

Ed.	09/2002
Rev.	
Data	

Racks

Code	Description	
30194	SELF-LOCKING NUT 4 MA	
34910	NET BASKET, EDI 13	
35012	NET BASKET EDI 6	
35014	NET BASKET EDI 8	
35031	BEVEL, CROSS-SL.HD SCREW M 4 X 12	
35073	NET BASKET EDI 6	
35074	NET BASKET EDI 8	
35075	NET BASKET EDI 13	
35630	BASKET PAS, SERIES EDI	