

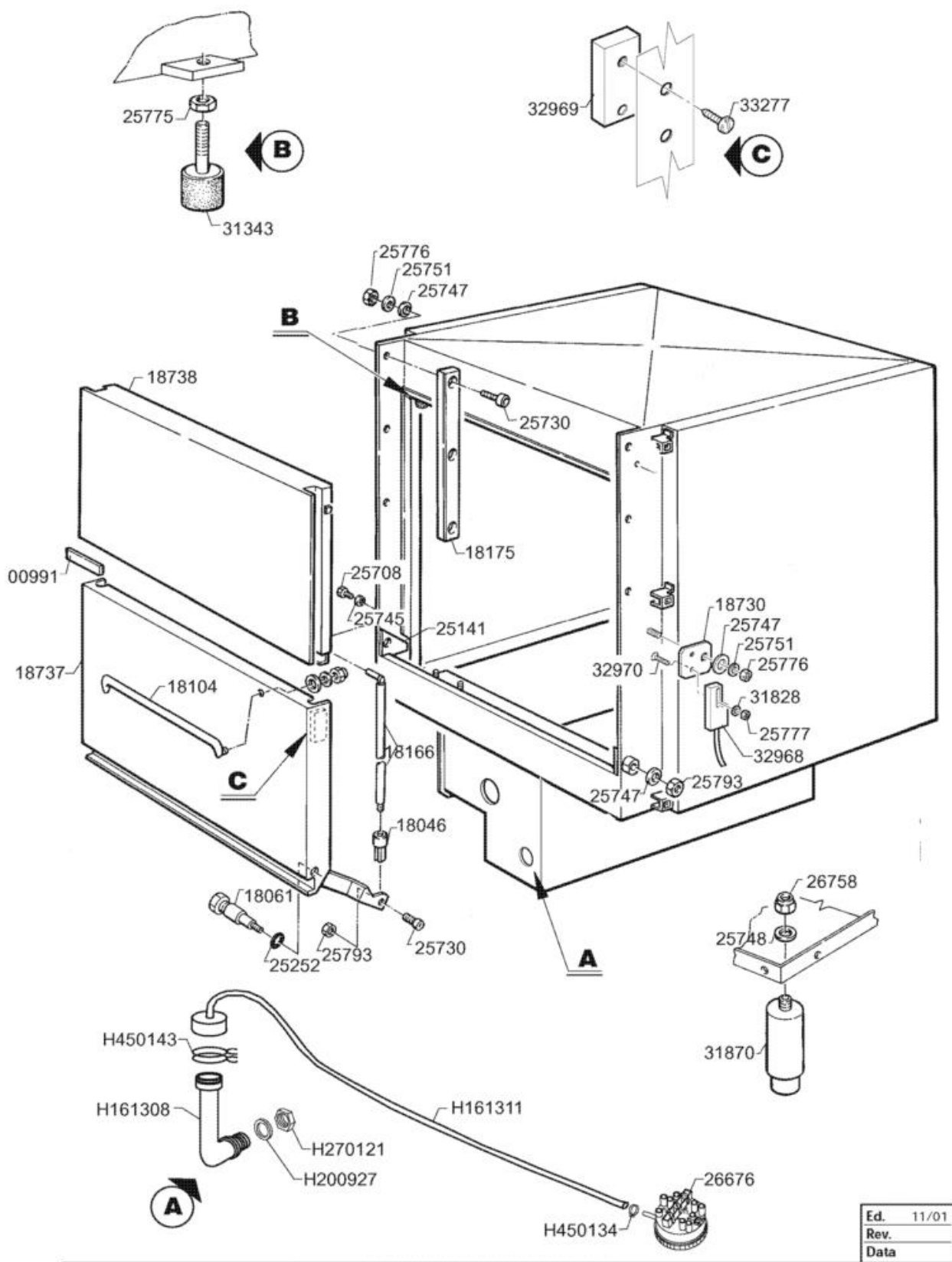
CATALOGO RICAMBI
SPARE PARTS
PIECES DETACHEES
ERSATZTEILE
LISTA DE RECAMBIOS

EDI 5

LO 61

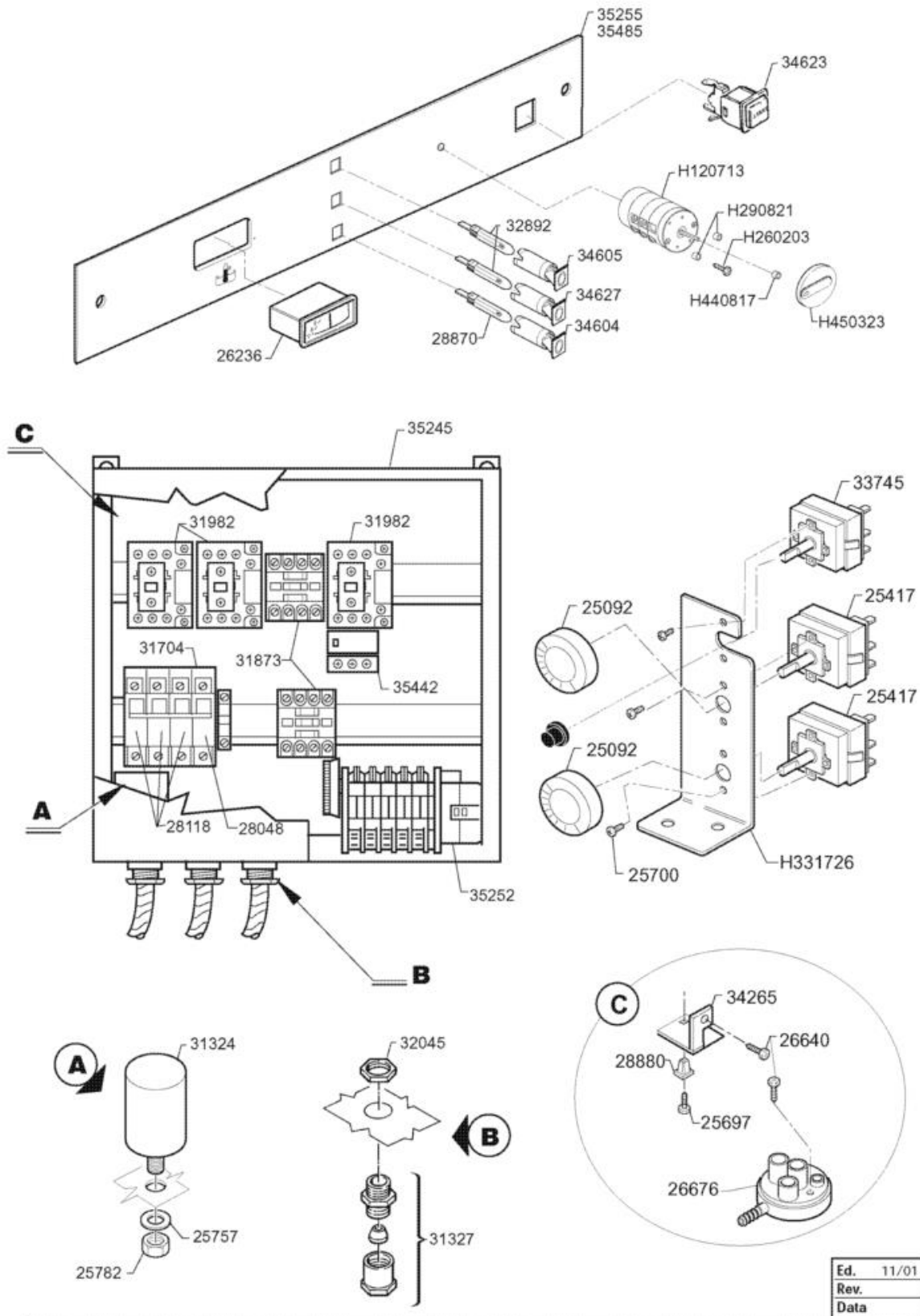
Ed. 11/2001

-
- 1 Hood
 - 2 Control Box
 - 3 Wash Arm
 - 4 Wash Arm
 - 5 Wash Pump
 - 6 Rinse Assembly
 - 7 Rinse Aid Injector
 - 8 Detergent Injector
 - 9 Detergent Pump Optional 2009 cod. 38127



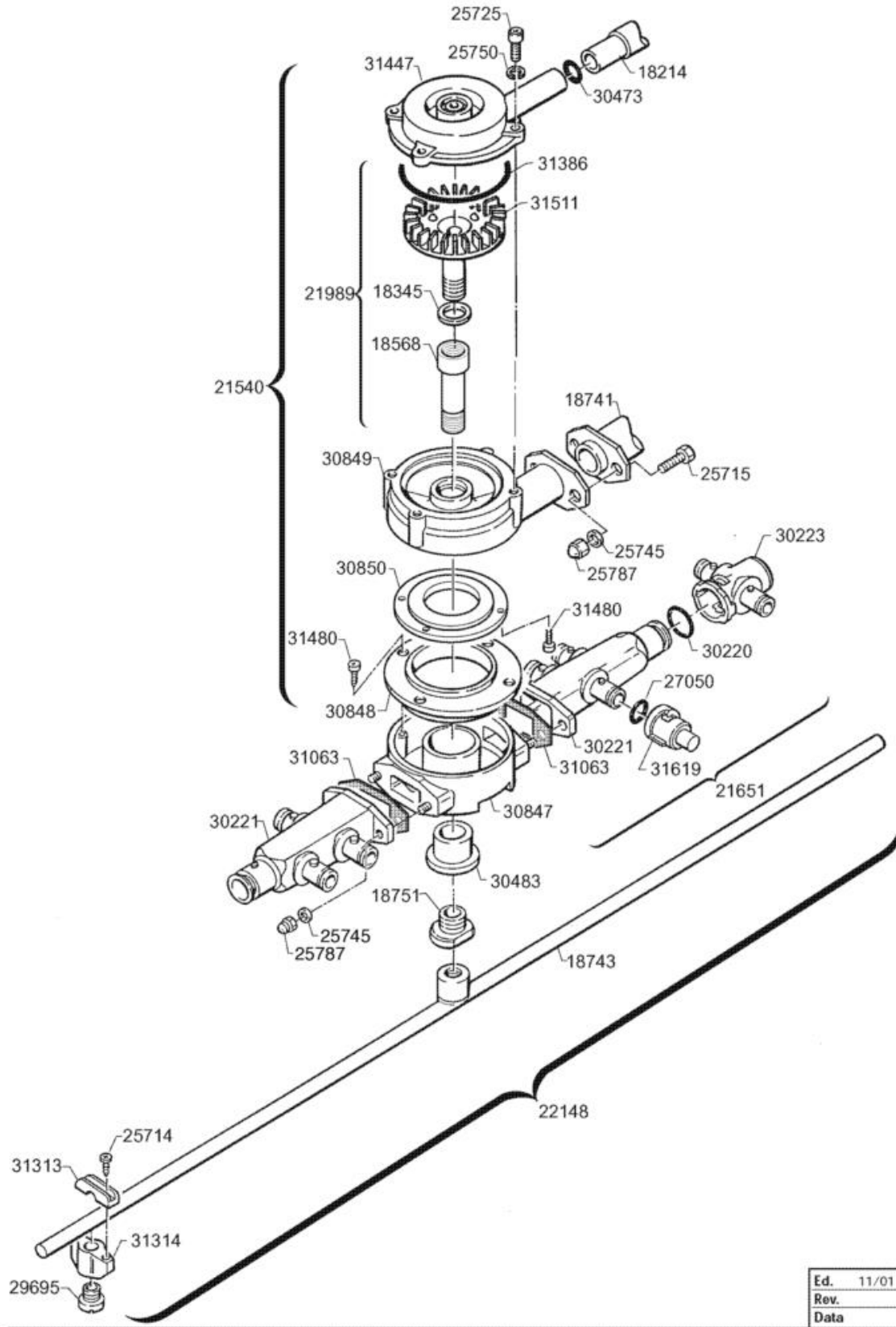
Ed.	11/01
Rev.	
Data	

Code	Description	
00991	ROLL FLAT PROFILE 15X5	
161308	TRAPPOLA ARIA PRESS. C95/155	
18046	FORK, LOWER WASHARM	
18061	PIN DOOR 630-700-900/90	
18104	HANDLE ED 600/700/900/90	
18166	ROD DOOR LIFT-700-900/90	
18175	UPPER DOOR CPL ED700/90 SATIN	
18730	FIX.PLATE, MAGNETIC COUNTER	
18737	LOWER DOOR, CPL ED 600, GLAZED	
18738	UPPER DOORCPL ED 600 GLAZED.	
200927	GUARNIZ.TRAPP.PRESS.C95-155	
25141	LARGE SIZE SPACER, DOOR	
25252	GASKET OR 108	
25708	SCREW HEX.HD M 5 X 10 SS	
25730	SCREW HEX.HD M 8 X 25	
25745	SPACER, FLAT, DIAM.6	
25747	SPACER, FLAT, DIAM. 8	
25748	SPACER, FLAT, DIAM.10	
25751	SPACER. SPLITTED, DIAM. 8	
25775	NUT 6 MA	
25776	NUTS 8 MA SS 18/8	
25777	NUTS 3 MA	
25793	SELF-LOCKING NUT 8 MA LOWER SIDE	
26676	PRESSURE SWITCH, RATED 150/75	
26758	SELF-LOCKING NUT 10 MA	
270121	CONTRODADO INOX 1/2"GAS TRAP.	
31343	SHOCK ABSORBER, DOOR ED 630/90	
31828	DENTED ROUND SPACER, EX ? 3	
31870	FOOT CPL 2" =SLEEVE.L=85+BOTTOM	
32968	MAGNETIC SENSOR	
32969	MAGNET FOR CONTACT M350 AP	
32970	BEVEL, CROSS-SLOT HD. SCREW TS 3 X	
33277	SELF-TAPPING SCREW TSP 2,9 X 9,5	
450134	FASCETTA A FILO X TUB. 9,3-8,8	
450143	FASCETTA A 2 FILI D.39.7x37.7	



Ed.	11/01
Rev.	
Data	

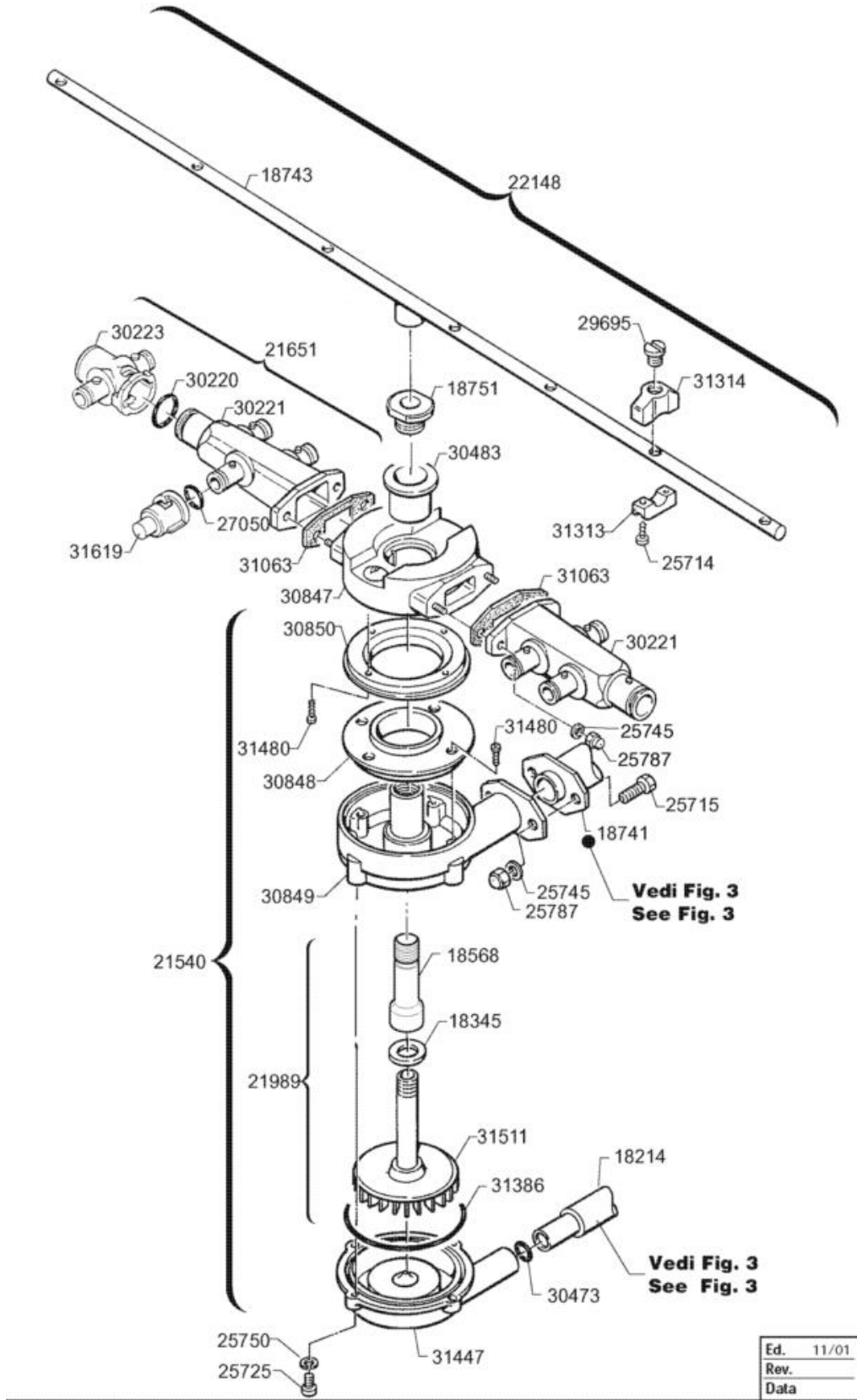
Code	Description	
25092	HANDLE, BLACK WHITE INDEX	
25417	THERMOSTAT 30-90? MT. 2	
25697	SELF-TAPPING SCREW CHEESE D747H.ROS	
25700	SCREW CHEESE-H. 4 X 8 KNURLED	
25757	TOOTHED SPACER DIAM. 12 D.E.D787	
25782	NUT 8 MA	
26236	THERMOMETRE MT 2	
26640	SCREW, PRESSURE SWITCH *	
26676	PRESSURE SWITCH, RATED 150/75	
28048	FUSE 10 X 38 6 A	
28118	FUSE 10 X 38 25 A	
28870	PILOT LIGHT BULB -LUX FM6,3 230V.	
28880	NUT SCREW	
290821	DISTANZIALE PER INTERRUTTORE	
31324	NOISE FILTER, TYPE 5001	
31327	CABLE FIXING PG 21	
31704	BREAK SWITCH SINGLE POLE	
31873	REMOTE SWITCH 220-240V- B6-30-10	
31982	CONTACTOR CN9 - 220V 50 HZ	
32045	NUT FOR CABLE FIXING	
32892	NEON LIGHT BULB "GREEN" FL-T FM6,3	
331726	SQUADRETTA 3 TERMOSTATI	
33745	LIMITER 110? MANUAL RESET	
34265	TANK PRESS.SWITCH BRACKET	
34604	COVER "ORANGE" PILOT LIGHT S.57.3	
34605	COVER "GREEN" PILOT LIGHT S.57.3	
34623	PUSH-BUTT. ROLD CM SING.P.NA START	
34627	PILOT LIGHT COVER "GREEN" TANK TEMP	
35245	POWER BOX EDI 5	
35252	TIMER P25/LO230/50 5CAM 6M+6S	
35255	CTRL PANEL NAMEPLATE EDI 5	
35442	THERMAL RELAY ABB TA 25 DU 3,1	
35485	CTRL PANEL PLATE LO 61	
440817	ANELLINO ELAS. LSCB/1853/17/0	
450323	MANOPOLA BICOL.C/INS.GRIGIO BR	



Ed.	11/01
Rev.	
Data	

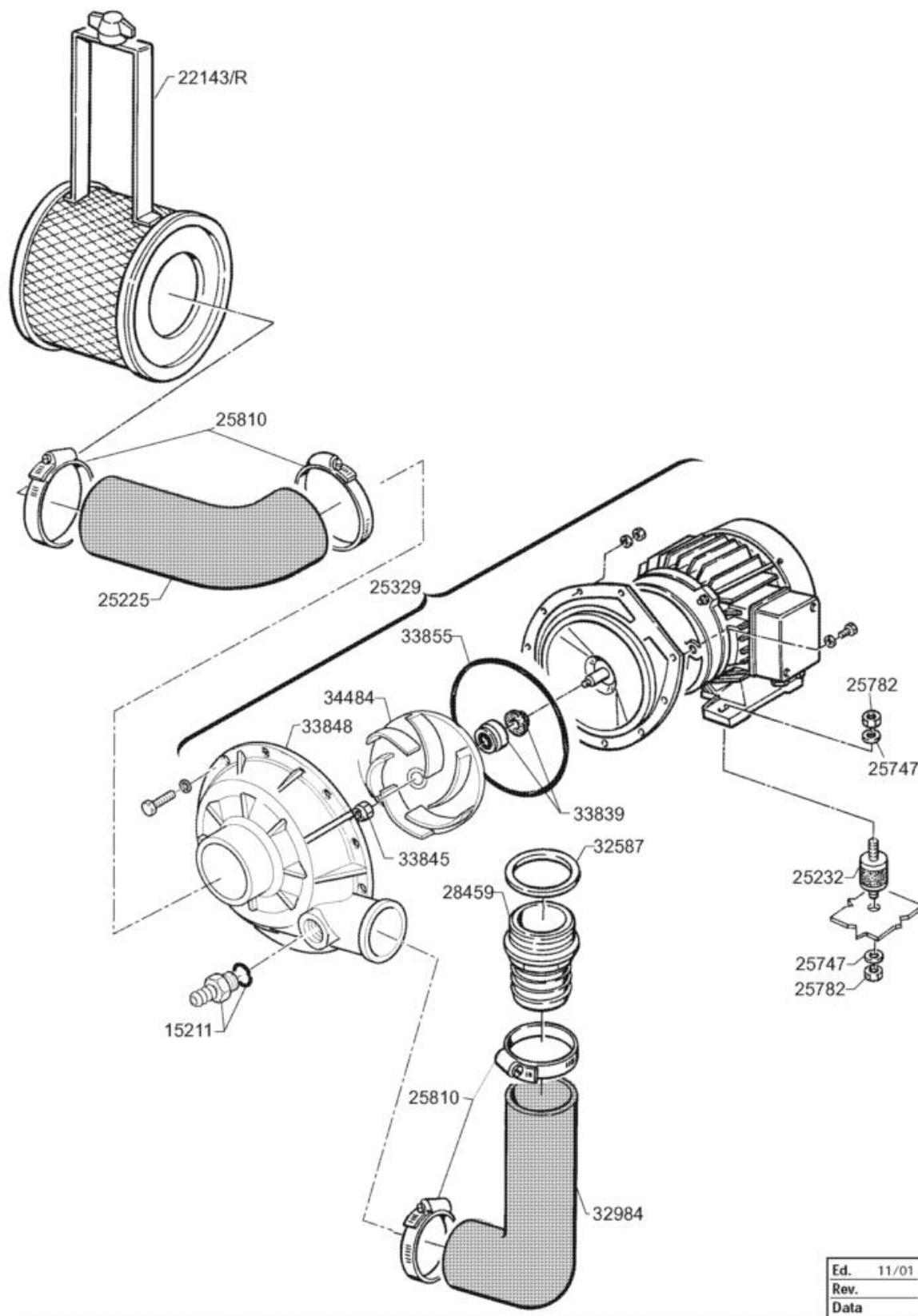
Wash Arm

Code	Description	
18214	FEEDING RINSE ARM ED 600/700N	
18345	SPACER RING	
18568	EXTENDER TURBINE ED 700-900/90	
18741	FEED WASH ARM ED 600/95	
18743	REVLV.RINSE ARM ED 600	
18751	NUT X PIN WASH BOX	
21540	TURBO, LARGE, PREASS. ED700.900/90	
21651	WASHARM LOW-UPP.PREASS.900	
21989	KIT, LWR TURB. SPARE ED 700/90	
25714	SELF-TAPPING SCREW TC 2,9X9,5 SS	
25715	SCREW HEX.HD M 6 X 16 SS	
25725	SCREW SOCKET FLAT-H. 6 X 16	
25745	SPACER, FLAT, DIAM.6	
25750	SPACER, SPLITTED, DIAM. 6	
25787	NUT BLIND 6 MA	
27050	GASKET OR 2068	
29695	RINSE NOZZLE "BLACK"	
30220	GASKET OR 2112	
30221	WASHARM FOR LARGE TURBINE	
30223	T-SHAPED END X WASHARM LARGE TURB.	
30473	GASKET, OR 114	
30483	BUSH SPRING ROTAT. "E" TURBO	
30847	COVER, TURBO WASHARM, LARGE	
30848	FLANGE FOR LARGE TURBO COVER	
30849	BOX, TURBO WASHARM, LARGE	
30850	COVER, TURBO WASH BOX, LARGE	
31063	GASKET, WASHARM 700-900-EDT	
31313	HOSE CLIP FOR RINSE NIPPLES	
31314	NIPPLES RINSE JETS	
31386	GASKET OR 3268	
31447	BOX, LOW.RINSE TURBO, SMALL	
31480	CHEESE HD,CROSS-SL.,THR.SCREW 2,9X2	
31511	TURBINE FOR TURBO BY-PASS T/N	
31619	WASH JET 2 SECT.ED 700/90	



Wash Arm

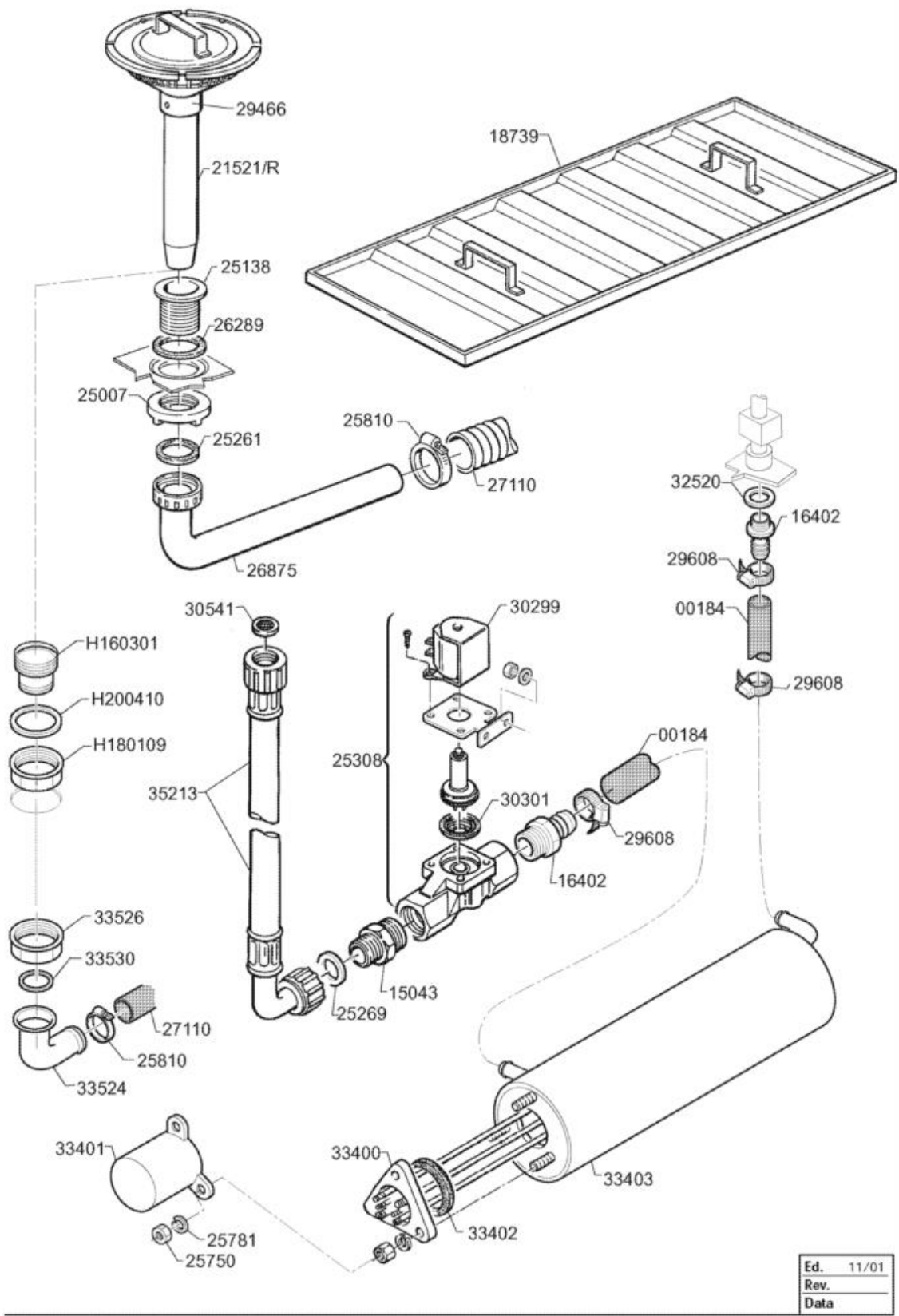
Code	Description	
18214	FEEDING RINSE ARM ED 600/700N	
18345	SPACER RING	
18568	EXTENDER TURBINE ED 700-900/90	
18741	FEED WASH ARM ED 600/95	
18743	REVLV.RINSE ARM ED 600	
18751	NUT X PIN WASH BOX	
21540	TURBO, LARGE, PREASS. ED700.900/90	
21651	WASHARM LOW-UPP.PREASS.900	
21989	KIT, LWR TURB. SPARE ED 700/90	
25714	SELF-TAPPING SCREW TC 2,9X9,5 SS	
25715	SCREW HEX.HD M 6 X 16 SS	
25725	SCREW SOCKET FLAT-H. 6 X 16	
25745	SPACER, FLAT, DIAM.6	
25750	SPACER, SPLITTED, DIAM. 6	
25787	NUT BLIND 6 MA	
27050	GASKET OR 2068	
29695	RINSE NOZZLE "BLACK"	
30220	GASKET OR 2112	
30221	WASHARM FOR LARGE TURBINE	
30223	T-SHAPED END X WASHARM LARGE TURB.	
30473	GASKET, OR 114	
30483	BUSH SPRING ROTAT. "E" TURBO	
30847	COVER, TURBO WASHARM, LARGE	
30848	FLANGE FOR LARGE TURBO COVER	
30849	BOX, TURBO WASHARM, LARGE	
30850	COVER, TURBO WASH BOX, LARGE	
31063	GASKET, WASHARM 700-900-EDT	
31313	HOSE CLIP FOR RINSE NIPPLES	
31314	NIPPLES RINSE JETS	
31386	GASKET OR 3268	
31447	BOX, LOW.RINSE TURBO, SMALL	
31480	CHEESE HD,CROSS-SL.,THR.SCREW 2,9X2	
31511	TURBINE FOR TURBO BY-PASS T/N	
31619	WASH JET 2 SECT.ED 700/90	



Ed.	11/01
Rev.	
Data	

Wash Pump

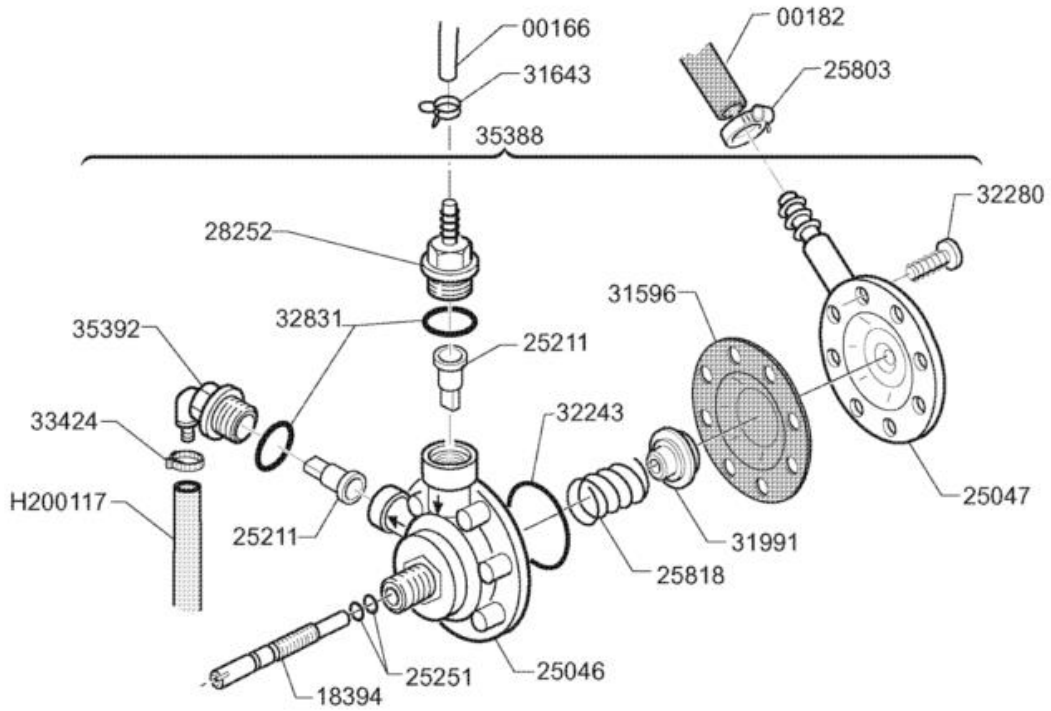
Code	Description	
15211	NIPPLE BRASSHOSE FITTING PUMP	
22143/R	FILTER PUMP ED 600/95 x RIC.	
25225	SUCTION SLEEVE ED650S-630-K80	
25232	ISOLATOR 2 PINS 8 MA 30x20	
25329	WASH PUMP CENTRIF.HP 2 DX	
25747	SPACER, FLAT, DIAM. 8	
25782	NUT 8 MA	
25810	HOSE CLIP 55-70	
28459	HOSE FITTING 2" MALE, END 50	
32587	FLAT GASKET 74X59,5X2	
32984	DELIVERY SLEEVE ED 600	
33839	MECH. SEAL PR/AR 13 BEFF	
33845	NUT M8, RIGHT H=5 MM	
33848	PUMP HOUS.ZF650 RIGHT A60/M50 HOSE	
33855	GASKET OR. 158.34*3.53	
34484	IMPELLER 120 6-BLADE, RIGHT ZF 800	



Ed.	11/01
Rev.	
Data	

Rinse Assembly

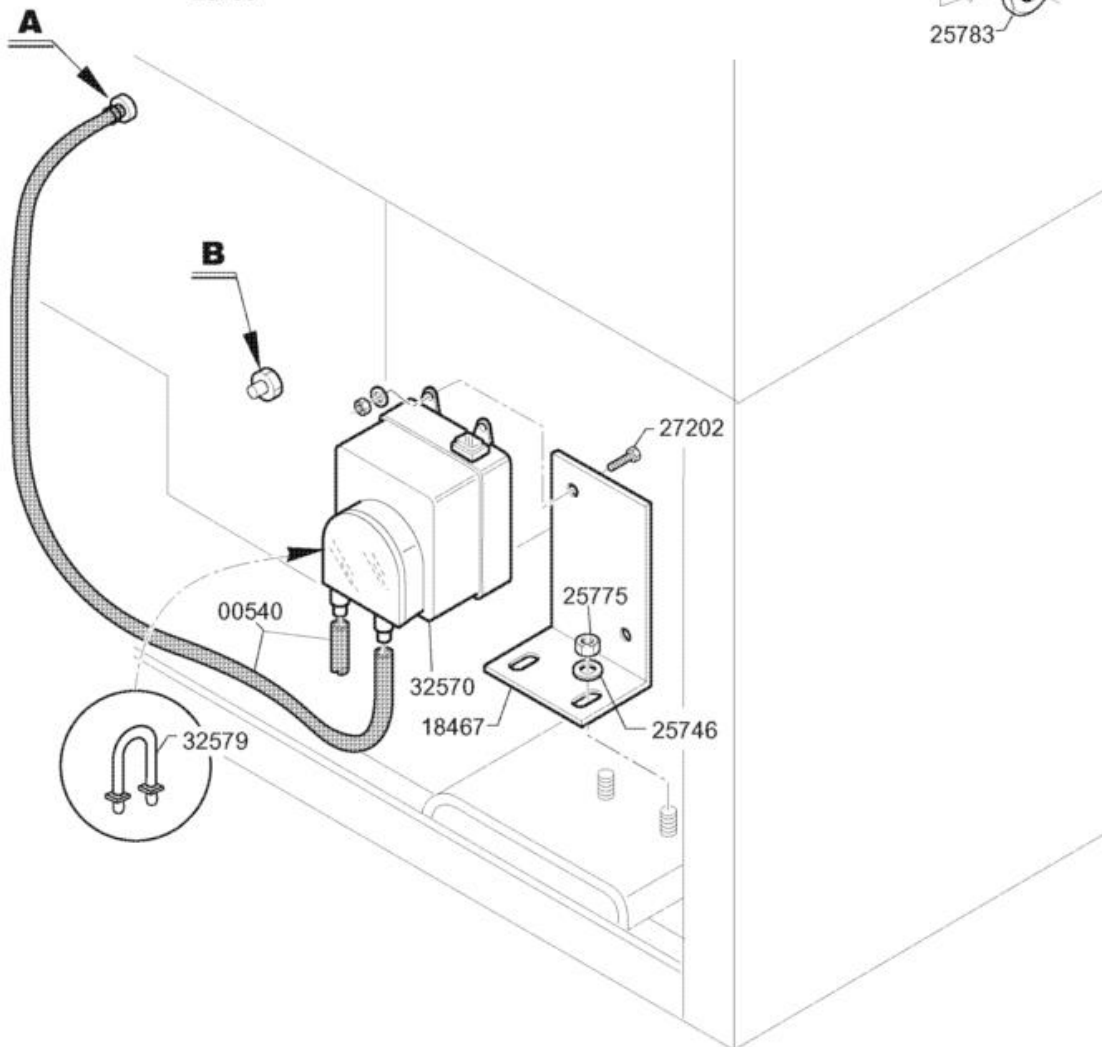
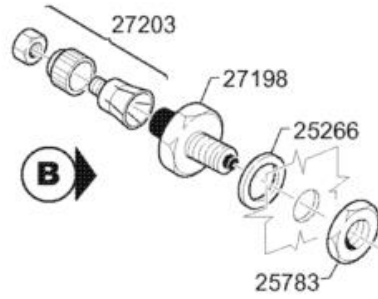
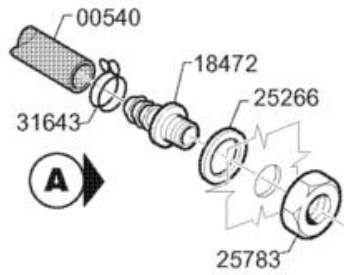
Code	Description	
00184	19X29 ANTICAL HOSE	
15043	BRASS NIPPLES 3/4 M/M	
160301	PILETTA SCARICO 1 1/2"	
16402	HOSE FITTING M DA 1/2" X 20	
180109	CONTRODADO DA 1 1/2" PLAST.	
18739	FILTER, DRAWER CPL ED 600/95	
200410	GUAR.NEOP.11/2"D.65X47X3	
21521/R	OVERFLOW TUBE PREASS.ED 700-900	
25007	MEDIUM NUT X WASH ARM	
25138	DRAIN ELBOW, THREAD. 1" 1/2	
25261	FLAT GASKET 43,5 X 32	
25269	FLAT GASKET	
25308	SOLENOID VALVE INDUSTR. 3/4"-1/2"	
25750	SPACER, SPLITTED, DIAM. 6	
25781	NUTS 6 MA, THREADED/ZINCATED	
25810	HOSE CLIP 55-70	
26289	GASKET, FLAT 65 X 48 X 1	
26875	90° PIPE UNION W/THREAD.RING 1"1/2	
27110	DRAIN HOSE DIAM.33X1500	
29466	FUNNEL, OVERFLOW TUBE SR	
29608	HOSE CLIP 17-32CLAM	
30299	COIL FOR SOLENOID VALVE 3\4"G	
30301	DIAPHRAGM FOR SOL. VALVE3\4"G	
30541	FILTER ON FILLING HOSE 3/4"	
32520	GASKET, FLAT, 27X21X2	
33400	HEAT.EL.FL.6000W 220/380V (110349)	
33401	COVER, HEATING ELEMENT H 50 (HIGH)	
33402	GASKET OR 6X56X68	
33403	BOILER"F45/F80/C85/140"	
33524	ELBOW 1"1/2, DRAIN N-S-F-C	
33526	NUT 1"1/2, ELBOW F45-C75	
33530	DRAIN GASKET 1"1/2 45X33X3	
35213	INLET HOSE, PLAIT. NYLON 2m ?6	



Ed.	11/01
Rev.	
Data	

Rinse Aid Injector

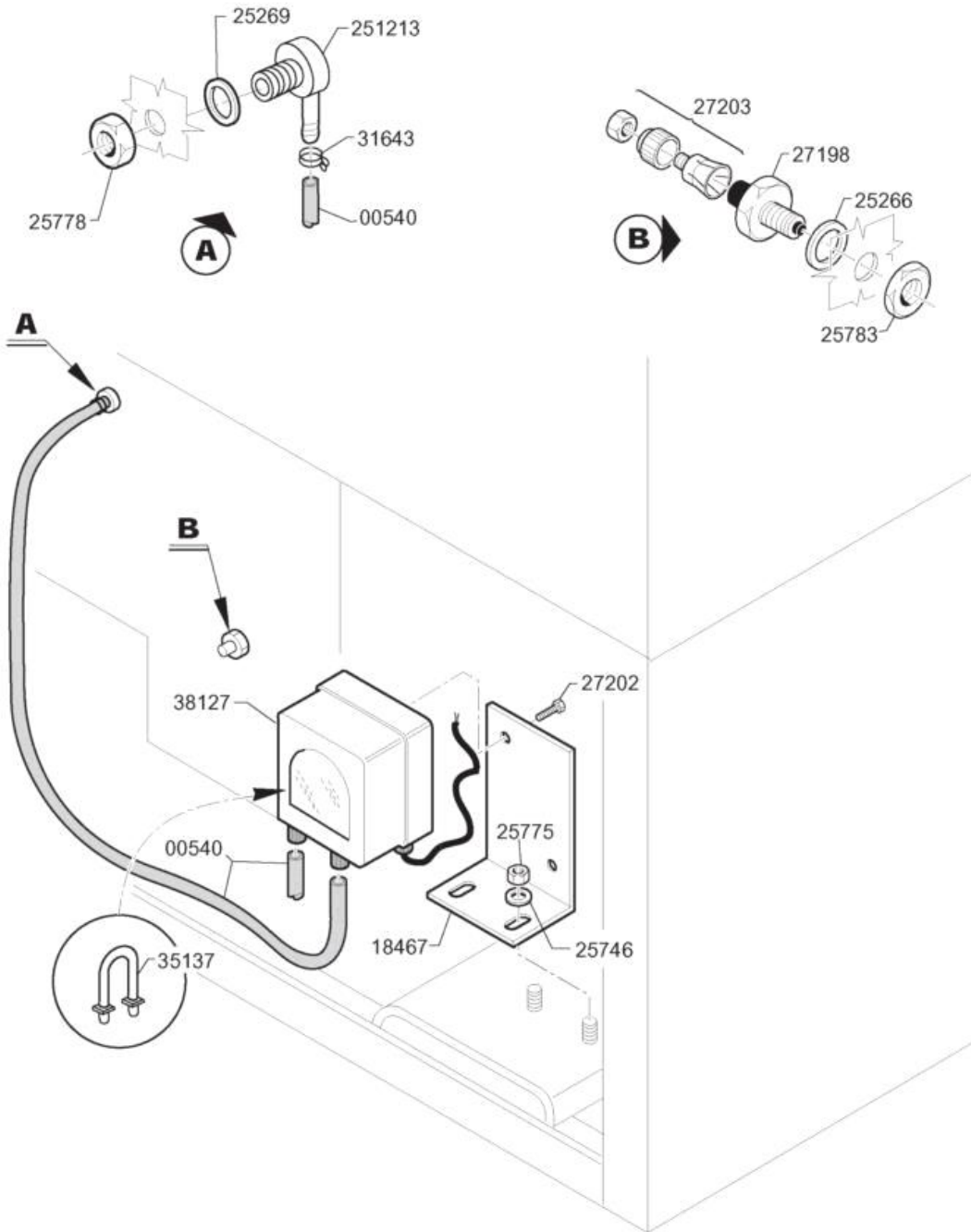
Code	Description	
00166	ROLL TUBE TRANSP. 4X7	
00182	HOSE 11X19 CASER/15"BLUE"	
18394	SCREW CONTROL DISPENSER	
200117	TUBO GOMMA 8x15 CALORFORM/10	
25046	UPPER DISPENSER ASSEMBLY	
25047	LOWER DISPENSER ASSEMBLY	
25211	NON RETURN VALVE RINSE AID DISP.	
25251	GASKET OR 2012	
25803	HOSE CLIP 13-20 ABA	
25818	CYLINDER SPRING (WIRE)	
28252	FITTING SUCTION DISPENSER	
31596	DIAPHRAGM, DISPENSER	
31643	HOSE CLIP 7,3-7,8	
31991	SPRING GUIDE FOR DISPENSER	
32243	GASKET OR 3156	
32280	OVAL HD. CROSS-SL. SCREW 4 X 13	
32831	GASKET OR 2062	
33424	FE-ZN CLAMP 11-17 H=9	
35388	RINSE AID DISP. "YELLOW" C/STS	
35392	90° VALVE FITTING, RINSE AID H/C	



Ed.	11/01
Rev.	
Data	

Detergent Injector

Code	Description	
00540	RED TUBE 8X4 ROLL	
18467	HOLDING SUPP. PUMP DISPENS.	
18472	FITTING INJECT. DETERGENT AP	
25266	FLAT GASKET 18 X 10 X 2	
25746	SPACER, FLAT, DIAM.6/18	
25775	NUT 6 MA	
25783	NUT 10 MA	
27198	DETERGENT PROBE"DENSAMATIC"	
27202	CHEESE HD SCREW 4 X 20	
27203	CONNECTOR FOR DETERGENT PROBE	
31643	HOSE CLIP 7,3-7,8	
32570	DETERG. DISPENS WALL MOUNT. LP 120	
32579	INNER TUBE FOR DETERGENT P. 32570	



Ed.	12/2009
Rev.	07/2010
Data	

Detergent Pump Optional 2009 cod. 38127

Code	Description	
00540	RED TUBE 8X4 ROLL	
18467	HOLDING SUPP. PUMP DISPENS.	
251213	PORTAG.A GOMITO INOX POMPA DET	
25266	FLAT GASKET 18 X 10 X 2	
25269	FLAT GASKET	
25746	SPACER, FLAT, DIAM.6/18	
25775	NUT 6 MA	
25778	NUTS 12 M 18/8 ss	
25783	NUT 10 MA	
27198	DETERGENT PROBE "DENSAMATIC"	
27202	CHEESE HD SCREW 4 X 20	
27203	CONNECTOR FOR DETERGENT PROBE	
31643	HOSE CLIP 7,3-7,8	
35137	PUMP HOSE DET. SEKO PG3	
38127	POMPA PERISTALTICA SEKO PR 7	