

CATALOGO RICAMBI
SPARE PARTS
PIECES DETACHEES
ERSATZTEILE
LISTA DE RECAMBIOS

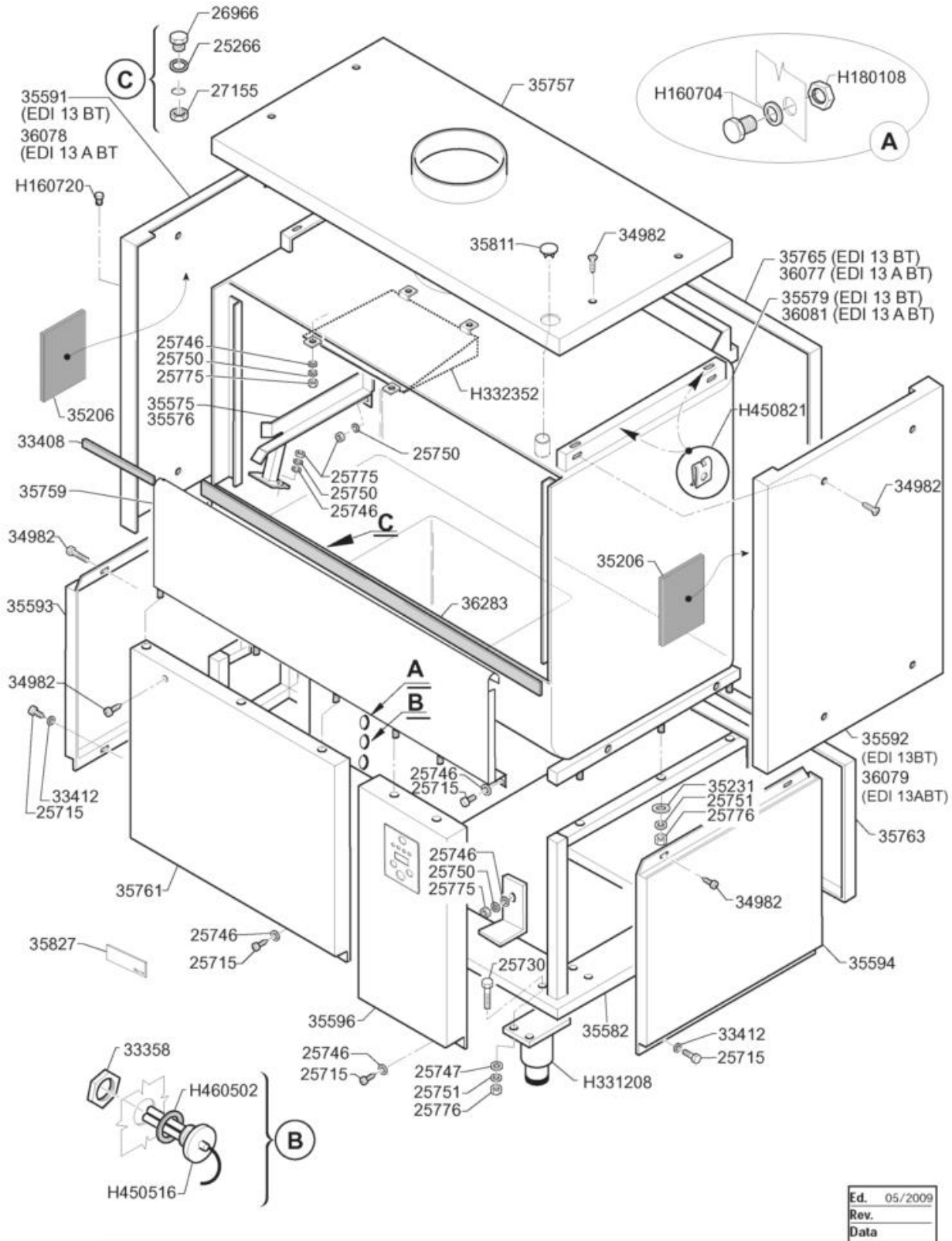


EDI 6 BT - EDI 8 BT
EDI 13 BT - EDI 13 ALTA BT
LO 67 BT
LO 83 BT
LO 134 BT
LO 134 ALTA BT

Ed. 2009

- 1 Body Components EDI 13/13ALTA BT
- 2 Door Components EDI 13/13ALTA BT
- 3 Door Components EDI 13/13ALTA BT - 04/12
- 4 Wash Pump EDI 8/13/13ALTA BT
- 5 Upper Arm Wash/rinse EDI BT
- 6 Upper Arm Wash/rinse EDI BT 12/07 >>
- 7 Lower Arm Wash/rinse EDI BT 12/07 >>
- 8 Lower Arm Wash/rinse EDI BT
- 9 Drain/filters EDI BT
- 10 Rinse Assembly EDI 13/13ALTA BT
- 11 Rinse Pump EDI BT
- 12 Rinse Aid Injector EDI BT
- 13 Control Box EDI13BT-EDI13ABT
- 14 Detergent Pump Optional 2009 cod. 38127

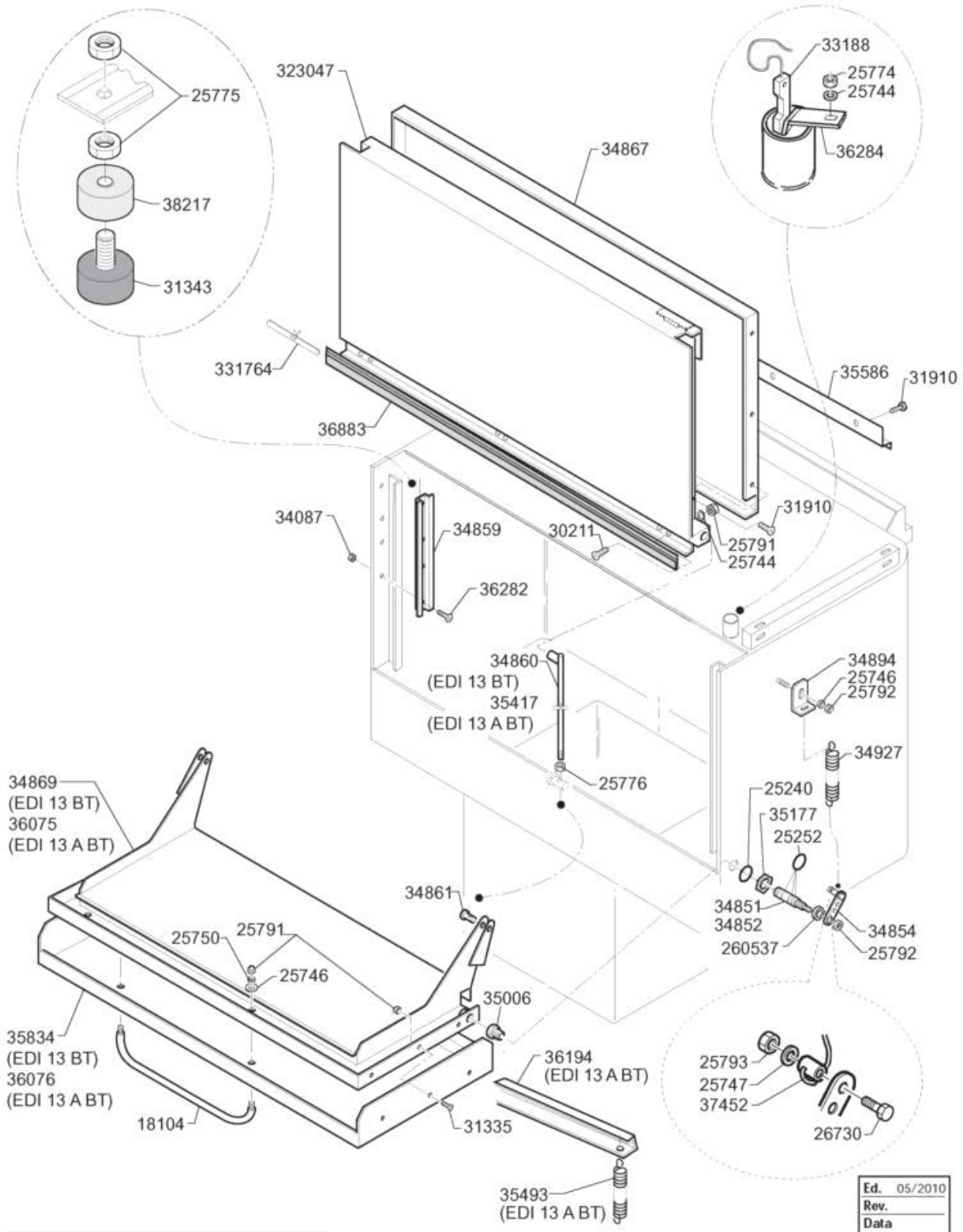
Body Components EDI 13/13ALTA BT



Body Components EDI 13/13ALTA BT

Code	Description	
160704	TAPP. NERI CON GUAR. 1/2" GAKT20	
160720	TAPPO A SCATTO HEYCO D.8	
180108	GHIERA 1/2" GAS PLASTICA	
25266	FLAT GASKET 18 X 10 X 2	
25715	SCREW HEX.HD M 6 X 16 SS	
25730	SCREW HEX.HD M 8 X 25	
25746	SPACER, FLAT, DIAM.6/18	
25747	SPACER, FLAT, DIAM. 8	
25750	SPACER, SPLITTED, DIAM. 6	
25751	SPACER. SPLITTED, DIAM. 8	
25775	NUT 6 MA	
25776	NUTS 8 MA SS 18/8	
26966	HOLE CLOSING PLUG	
27155	PLASTIC NUT10 M	
331208	PIEDE TELESCOPICO INOX	
332352	PARASPRUZZI VAP."GE/EDI"	
33358	LOCK NUT 1/2" ES.30 SP.7"SS"	
33408	NEOPREN ADHESIVE GASKET 8 X 4	
33412	PRESSED WASHER 7x22x2	
34982	SCREW M5X12, HALF-ROUND HD. COMBI	
35206	INSULATION 250x125x30	
35231	FLAT WASHER 8 X 24	
35575	BASKET GUIDE, LEFT, EDI 2nd SERIES	
35576	BASKET GUIDE, RIGHT, EDI 2nd SERIES	
35591	TANK UPPER SIDE PANEL EDI 2?, LEFT	
35592	TANK UPPER SIDE PANEL EDI 2?, RIGHT	
35593	TANK BASE SIDE PANEL, EDI 2?, LEFT	
35594	TANK BASE SIDE PANEL, EDI 2?, RIGHT	
35596	FRONT PANEL, CONTROLS, EDI 2?	
35757	TOP UPPER PANEL EDI 13 - 2?	
35759	TANK FRONT PLATE EDI 13 - 2?	
35761	FRONT PANEL EDI 13 - 2?	
35763	BASE STAND REAR PANEL EDI 13 - 2?	
35765	UPPER REAR PANEL EDI 13 - 2?	
35811	SNAP PLUG, FASTPOINT/3586	
35827	NAMEPLATE, MOD. EDI 13 - 2?	
36077	UPPER REAR PANEL EDI 13 ALTA - 2?	
36078	TANK UPPER SIDE PANEL EDI 13 ALTA 2	
36079	TANK UPPER SIDE PANEL EDI 13 ALTA 2	
36283	SELF-ADHESIVE GASKET 20X10	
450516	GUAINA TERM. 2 TUBI INOX H=109	
450821	PIASTRINA FASTNER 5 MA	
460502	GUARNIZ. 30X21X2 KLINGER 1/2"	

Door Components EDI 13/13ALTA BT



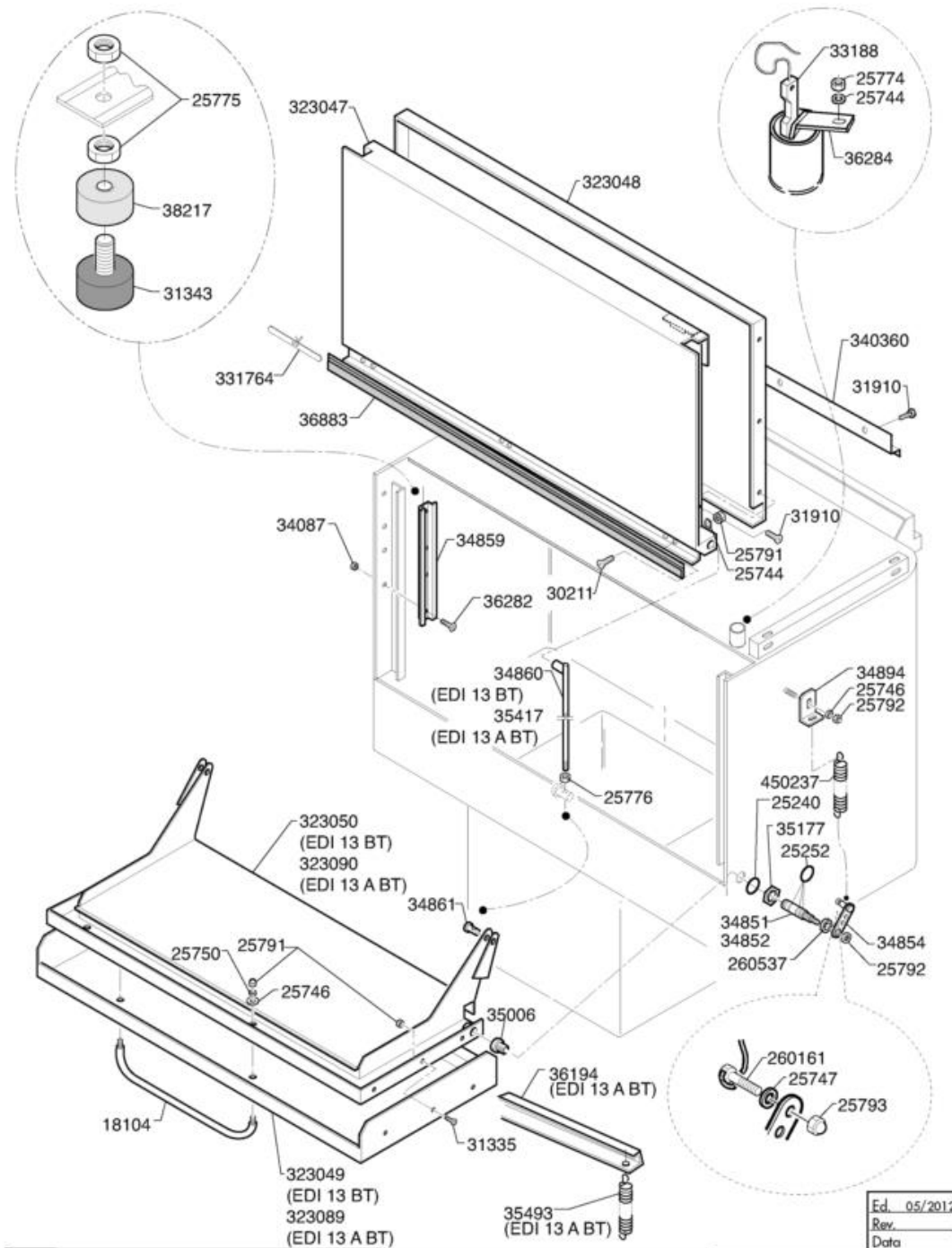
Door Components EDI 13/13ALTA BT

Code	Description	
18104	HANDLE ED 600/700/900/90	
25240	GASKET OR 121	
25252	GASKET OR 108	
25744	SPACER, FLAT, DIAM.5	
25746	SPACER, FLAT, DIAM.6/18	
25747	SPACER, FLAT, DIAM. 8	
25750	SPACER, SPLITTED, DIAM. 6	
25774	NUTS 5 MA	
25775	NUT 6 MA	
25776	NUTS 8 MA SS 18/8	
25791	SELF-LOCKING NUT 5 MA LOWER SIDE	
25792	SELF-LOCKING NUT 6 MA LOWER SIDE	
25793	SELF-LOCKING NUT 8 MA LOWER SIDE	
260537	RONDEL.INOX D.13X20X0,8-6592	
26730	SCREW TE M 8 X 20	
30211	HEX.HD. SCREW 5 X 12	
31335	BEVEL-HD SCREW 5X8, SPECIAL	
31343	SHOCK ABSORBER, DOOR ED 630/90	
31910	HALF-ROUND SCREW 5 X 8T	
323047	PORTA SUPER.GE100-115/EDI13	
331764	PIASTRINA FISS.GOMMA PORTA EDI	
33188	MAGNETIC SENSOR	
34087	FLANGED NUT M5 A2 DIN 6923	
34851	DOOR PIVOT, EDI, LEFT	
34852	DOOR PIVOT, EDI, RIGHT	
34854	COMPENSAT.LEVER FOR DOOR EDI	
34859	UPPER DOOR GUIDE, EDI	
34860	DOOR-RAIS. STAY, UPPER, EDI	
34861	DOOR-RAIS. STAY PIVOT, EDI	
34867	UPPER DOOR INNER PANEL EDI 13	
34869	LOWER DOOR INNER PANEL EDI 13	
34894	SPRING CLIPPING BRACKET, EDI	
34927	DOOR SPRING, EDI	
35006	BUSH, HOUSING, SERIES EDI	
35177	NUT 3/8"G SS	
35417	UPPER DOOR LIFT ROD, EDI 13 HIGH	
35493	PRESS.SPRING, DOOR EDI, THREAD D.2,	
35586	SPLASH GUARD ANG.BAR,UPP.DOOR EDI13	
35834	LOWER DOOR EDI 13 - 2?	
36075	LOWER DOOR INNER PANEL EDI 13 ALTA	
36076	LOWER DOOR EDI 13 ALTA - 2?	
36194	SPRING HOLDER CROSSBAR UNDER DOOR E	
36282	VITE TC 5 X 30 INOX DIN7985 A2	
36284	MAGNET FIXING PLATE	
36883	GASKET FOR DOOR 10x16 sh50	

Door Components EDI 13/13ALTA BT

Code	Description	
37452	BUSSOLA DISTAN.MOLLA PORTA EDI	
38217	CAPSULA INOX x AMMOR.PORTA EDI	

Door Components EDI 13/13ALTA BT - 04/12

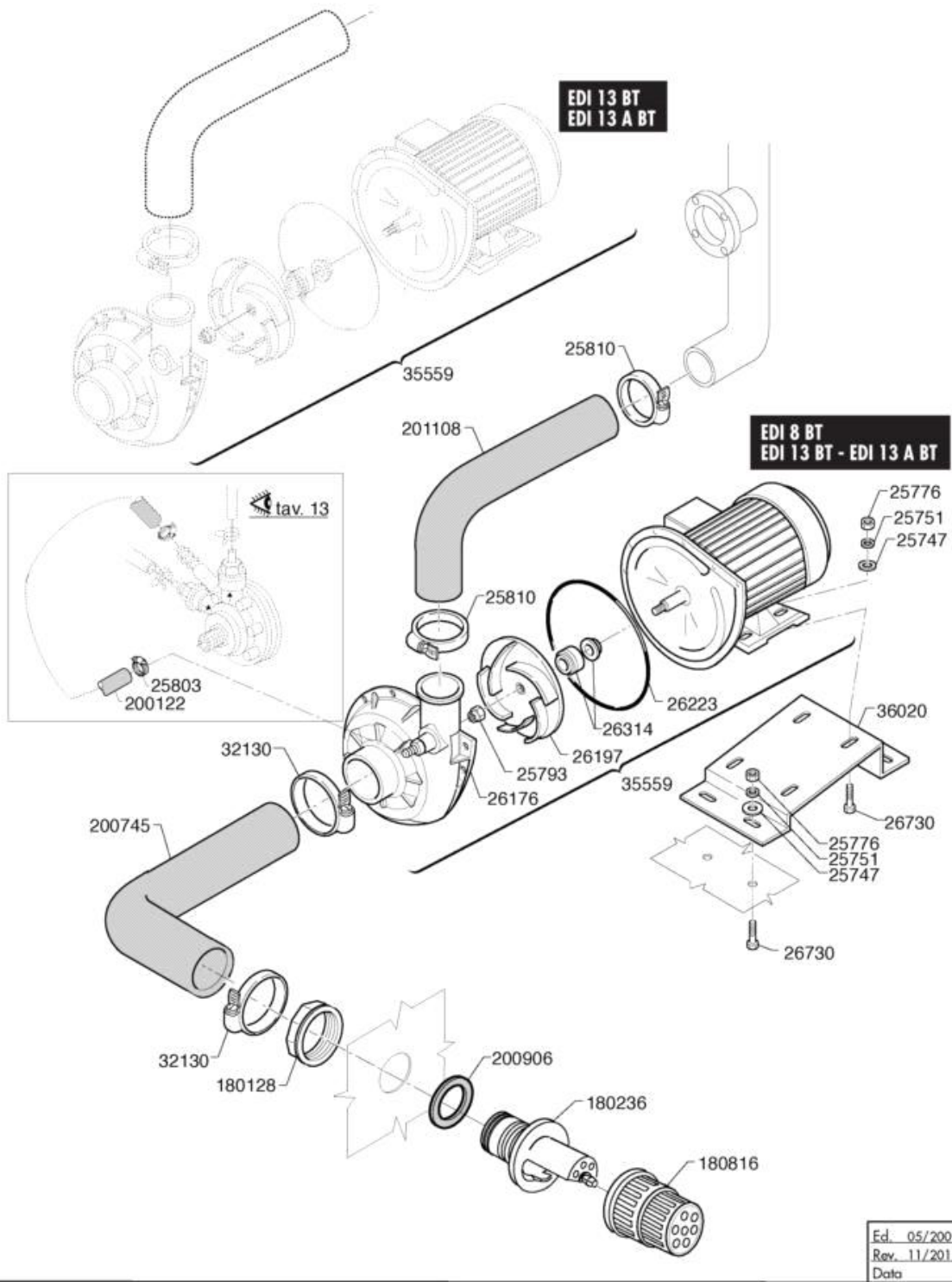


Door Components EDI 13/13ALTA BT - 04/12

Code	Description	
18104	HANDLE ED 600/700/900/90	
25240	GASKET OR 121	
25252	GASKET OR 108	
25744	SPACER, FLAT, DIAM.5	
25746	SPACER, FLAT, DIAM.6/18	
25747	SPACER, FLAT, DIAM. 8	
25750	SPACER, SPLITTED, DIAM. 6	
25774	NUTS 5 MA	
25775	NUT 6 MA	
25776	NUTS 8 MA SS 18/8	
25791	SELF-LOCKING NUT 5 MA LOWER SIDE	
25792	SELF-LOCKING NUT 6 MA LOWER SIDE	
25793	SELF-LOCKING NUT 8 MA LOWER SIDE	
260161	VITE SPEC.FISS.MOLLA PORTA GE	
260537	RONDEL.INOX D.13X20X0,8-6592	
30211	HEX.HD. SCREW 5 X 12	
31335	BEVEL-HD SCREW 5X8, SPECIAL	
31343	SHOCK ABSORBER, DOOR ED 630/90	
31910	HALF-ROUND SCREW 5 X 8T	
323047	PORTA SUPER.GE100-115/EDI13	
323048	CONTROPORTA SUP.GE115/EDI13	
323049	PORTA INFER.GE100-115/EDI13	
323050	CONTROPORTA INF.GE115/EDI13	
323089	PORTA INF.GE100H-115H/EDI13A	
323090	CONTROP.INF.GE100H-115H/EDI13A	
331764	PIASTRINA FISS.GOMMA PORTA EDI	
33188	MAGNETIC SENSOR	
340360	ANG.PAR.PORTA SUP.EDI13/GE115	
34087	FLANGED NUT M5 A2 DIN 6923	
34851	DOOR PIVOT, EDI, LEFT	
34852	DOOR PIVOT, EDI, RIGHT	
34854	COMPENSAT.LEVER FOR DOOR EDI	
34859	UPPER DOOR GUIDE, EDI	
34860	DOOR-RAIS. STAY, UPPER, EDI	
34861	DOOR-RAIS. STAY PIVOT, EDI	
34894	SPRING CLIPPING BRACKET, EDI	
35006	BUSH, HOUSING, SERIES EDI	
35177	NUT 3/8"G SS	
35417	UPPER DOOR LIFT ROD, EDI 13 HIGH	
35493	PRESS.SPRING, DOOR EDI, THREAD D.2,	
36194	SPRING HOLDER CROSSBAR UNDER DOOR E	
36282	VITE TC 5 X 30 INOX DIN7985 A2	
36284	MAGNET FIXING PLATE	
36883	GASKET FOR DOOR 10x16 sh50	
38217	CAPSULA INOX x AMMOR.PORTA EDI	

Door Components EDI 13/13ALTA BT - 04/12

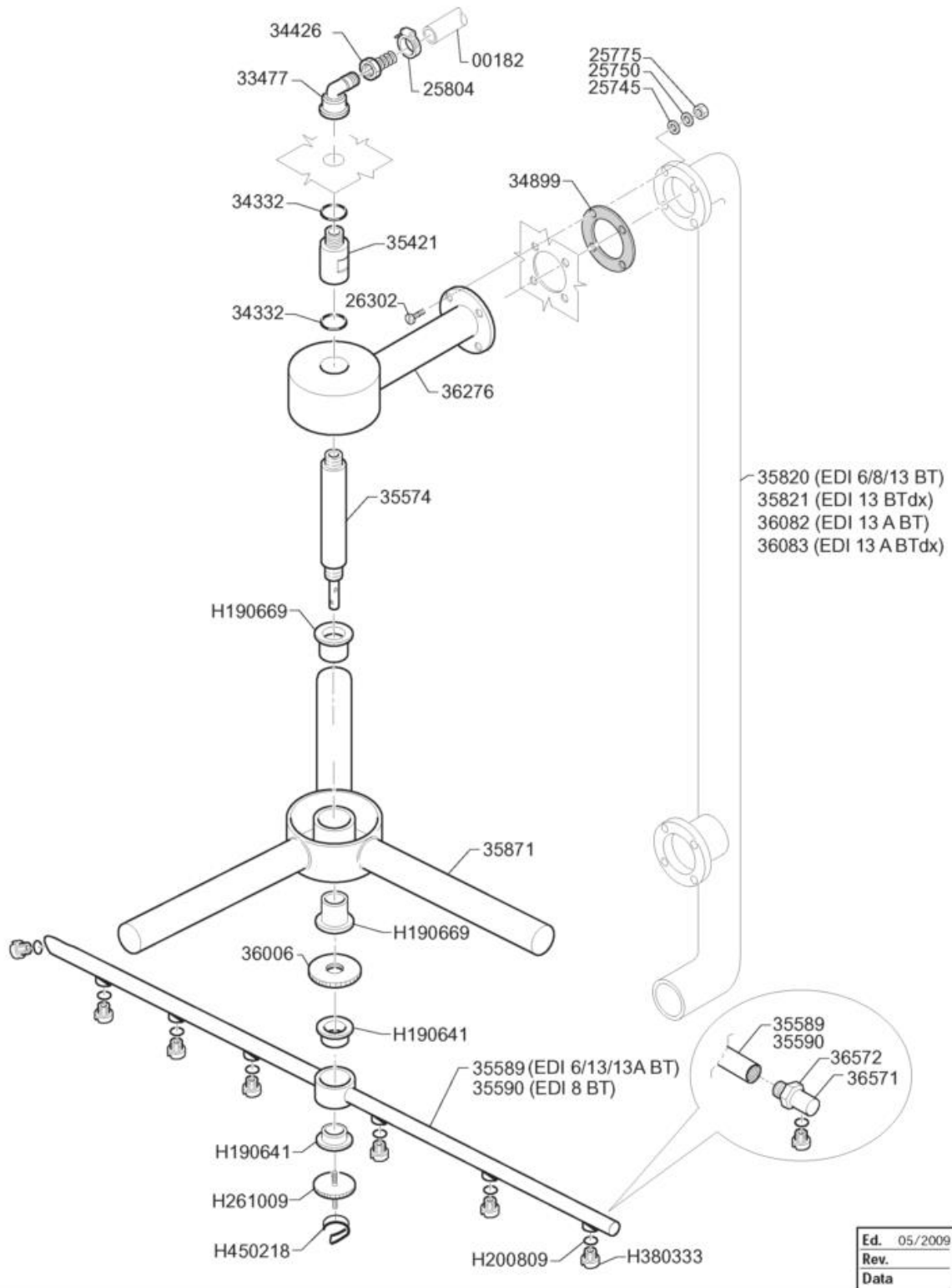
Code	Description	
450237	MOLLA x PORTA GE/EDI	



Wash Pump EDI 8/13/13ALTA BT

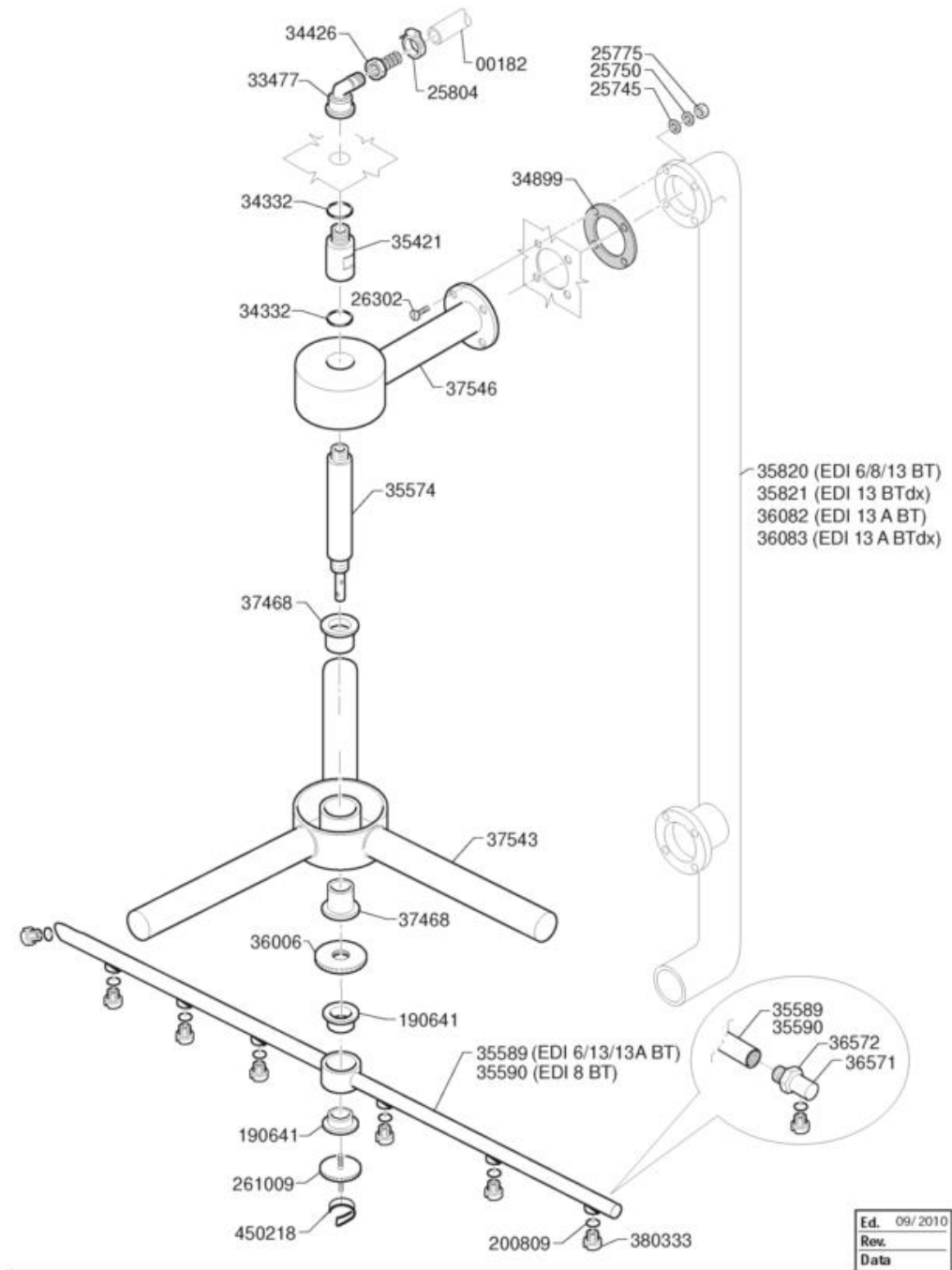
Code	Description	
180128	GHIERA FIL 65,4 C140 C85-155	
180236	TRONCHETTO ASPIR.CON DEF.	
180816	FILTRO ASPIRAZIONE D.82 -	
200122	TUBO GOMMA 11X19 CASER/15 BLU	
200745	MANICOTTO ASP.prel.ACR.NE/SNL	
200906	GUARNIZIONE D. 92x66x2	
201108	MANICOTTO MAND.GE755 (HV35020)	
25747	SPACER, FLAT, DIAM. 8	
25751	SPACER. SPLITTED, DIAM. 8	
25776	NUTS 8 MA SS 18/8	
25793	SELF-LOCKING NUT 8 MA LOWER SIDE	
25803	HOSE CLIP 13-20 ABA	
25810	HOSE CLIP 55-70	
26176	COVER, WASH PUMP HP 3 RIGHT	
26197	IMPELLER WASH P.HP2,7-3 DX	
26223	GASKET, COVER PUMP	
26314	SHAFT SEAL, WASH PUMP HP 1,5/2	
26730	SCREW TE M 8 X 20	
32130	HOSE CLIP 60-80	
35559	WASH PUMP HP3,2 DX 1243 T FIR	
36020	WASH PUMP SUPPORT.PLATE, EDI	

Upper Arm Wash/rinse EDI BT



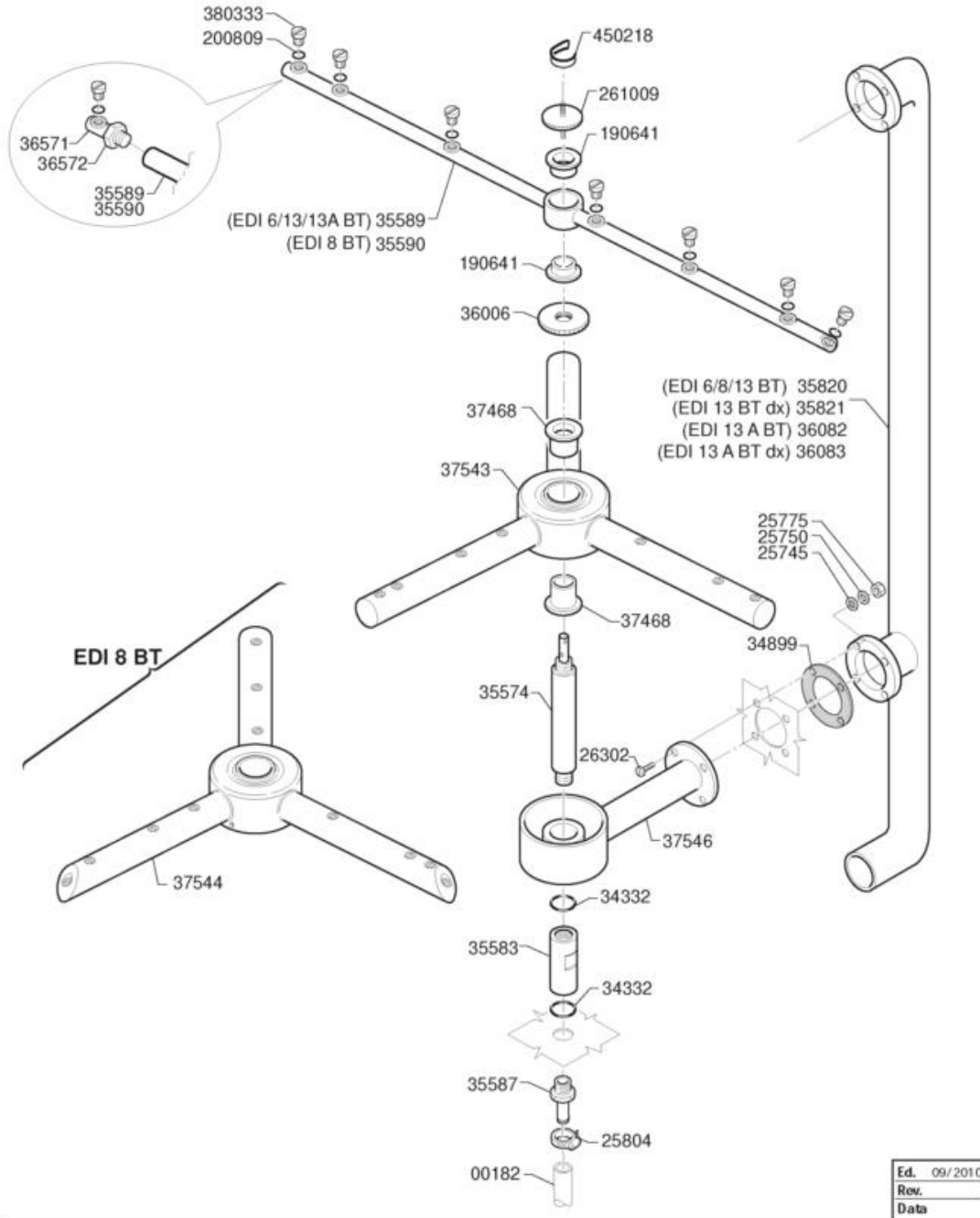
Upper Arm Wash/rinse EDI BT

Code	Description	
00182	HOSE 11X19 CASER/15"BLUE"	
190641	BUSSOLA MULIN.RISC."C" V.S.	
200809	GUARN.OR 1,78X7,66X11,21 VITON	
25745	SPACER, FLAT, DIAM.6	
25750	SPACER, SPLITTED, DIAM. 6	
25775	NUT 6 MA	
25804	HOSE CLIP 15-24 ABA	
261009	VITE FISS. MULINELLO TUB.ACC.	
26302	HEX HD.SCREW M6X35, STAINLESS S.	
33477	ELBOW FEM/FEM. 3/8 1/4 C140-155	
34332	GASKET OR 128 SUPP.PLUG	
34426	PIPE UNION 1/4 G FOR C90	
34899	GASKET FOR DELIV.HOSE FLANGE, EDI	
35421	EXTENSION, UPP.RINSE SUPPLY EDI, H	
35574	DRIV.STEM, REVOLV.ARMS EDI 2	
35589	REVOLV. RINSE ARM, EDI 6/13 -2?	
35590	REVOLV. RINSE ARM, EDI 8 - 2?	
35820	WASH DELIV.PIPE EDI 2?	
35821	WASH DELIV.PIPE, RIGHT, EDI 13 2?	
35871	REVOLV. WASHARM, EDI 6-13 2?	
36006	S.S.304 BUSHING, REVOLV.WASHARM	
36082	WASH DELIV.PIPE EDI 2? ALTA	
36083	WASH DELIV.PIPE, RIGHT, EDI 13 2? A	
36276	REVOLV.ARM SUPPORT EDI 2?	
36571	FEED PIPE REG. , RINSE ARM EDI	
36572	NUT M14x1RINSE ROTATION ARM EDI	
450218	MOLLA FISS.VITE MULIN.C95-155	



Upper Arm Wash/rinse EDI BT 12/07 >>

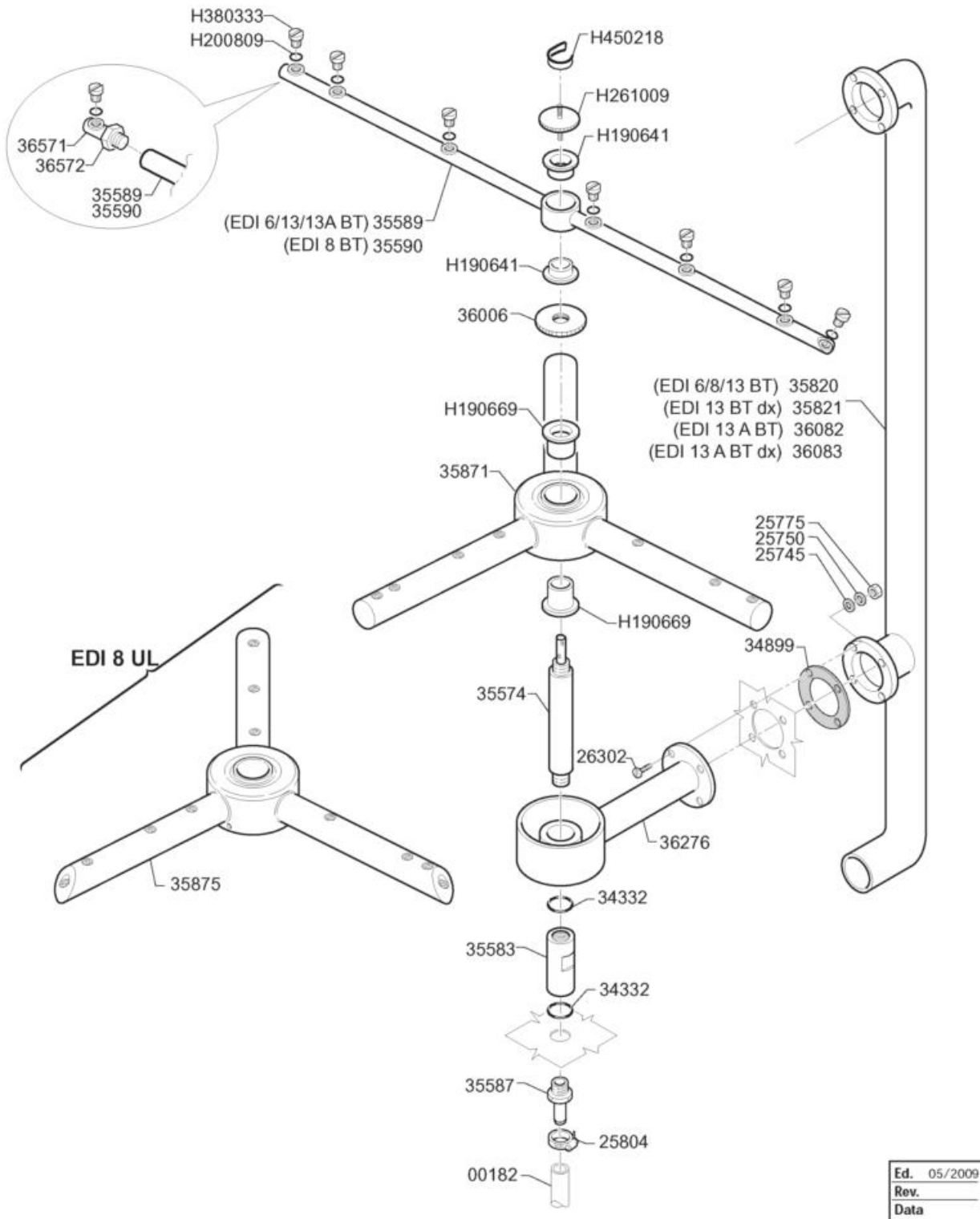
Code	Description	
00182	HOSE 11X19 CASER/15"BLUE"	
190641	BUSSOLA MULIN.RISC."C" V.S.	
200809	GUARN.OR 1,78X7,66X11,21 VITON	
25745	SPACER, FLAT, DIAM.6	
25750	SPACER, SPLITTED, DIAM. 6	
25775	NUT 6 MA	
25804	HOSE CLIP 15-24 ABA	
261009	VITE FISS. MULINELLO TUB.ACC.	
26302	HEX HD.SCREW M6X35, STAINLESS S.	
33477	ELBOW FEM/FEM. 3/8 1/4 C140-155	
34332	GASKET OR 128 SUPP.PLUG	
34426	PIPE UNION 1/4 G FOR C90	
34899	GASKET FOR DELIV.HOSE FLANGE, EDI	
35421	EXTENSION, UPP.RINSE SUPPLY EDI, H	
35574	DRIV.STEM, REVOLV.ARMS EDI 2	
35589	REVOLV. RINSE ARM, EDI 6/13 -2?	
35590	REVOLV. RINSE ARM, EDI 8 - 2?	
35820	WASH DELIV.PIPE EDI 2?	
35821	WASH DELIV.PIPE, RIGHT, EDI 13 2?	
36006	S.S.304 BUSHING, REVOLV.WASHARM	
36082	WASH DELIV.PIPE EDI 2? ALTA	
36083	WASH DELIV.PIPE, RIGHT, EDI 13 2? A	
36571	FEED PIPE REG. , RINSE ARM EDI	
36572	NUT M14x1RINSE ROTATION ARM EDI	
37468	BUSSOLA IGUS CORPO MUL.LAV.EDI	
37543	MULINELLO LAVAG.EDI 6-13 2007	
37546	SUPPORTO MULIN.CPL EDI 2 -2007	
450218	MOLLA FISS.VITE MULIN.C95-155	



Lower Arm Wash/rinse EDI BT 12/07 >>

Code	Description	
00182	HOSE 11X19 CASER/15"BLUE"	
190641	BUSSOLA MULIN.RISC."C" V.S.	
200809	GUARN.OR 1,78X7,66X11,21 VITON	
25745	SPACER, FLAT, DIAM.6	
25750	SPACER, SPLITTED, DIAM. 6	
25775	NUT 6 MA	
25804	HOSE CLIP 15-24 ABA	
261009	VITE FISS. MULINELLO TUB.ACC.	
26302	HEX HD.SCREW M6X35, STAINLESS S.	
34332	GASKET OR 128 SUPP.PLUG	
34899	GASKET FOR DELIV.HOSE FLANGE, EDI	
35574	DRIV.STEM, REVOLV.ARMS EDI 2	
35583	LOWER RINSE SUPPLY EXTENSION,EDI	
35587	HOSE FITTING DIAM 3/8" G MALE	
35589	REVOLV. RINSE ARM, EDI 6/13 -2?	
35590	REVOLV. RINSE ARM, EDI 8 - 2?	
35820	WASH DELIV.PIPE EDI 2?	
35821	WASH DELIV.PIPE, RIGHT, EDI 13 2?	
36006	S.S.304 BUSHING, REVOLV.WASHARM	
36082	WASH DELIV.PIPE EDI 2? ALTA	
36083	WASH DELIV.PIPE, RIGHT, EDI 13 2? A	
36571	FEED PIPE REG. , RINSE ARM EDI	
36572	NUT M14x1RINSE ROTATION ARM EDI	
37468	BUSSOLA IGUS CORPO MUL.LAV.EDI	
37543	MULINELLO LAVAG.EDI 6-13 2007	
37544	MULINELLO LAVAG. EDI 8 2007	
37546	SUPPORTO MULIN.CPL EDI 2 -2007	
450218	MOLLA FISS.VITE MULIN.C95-155	

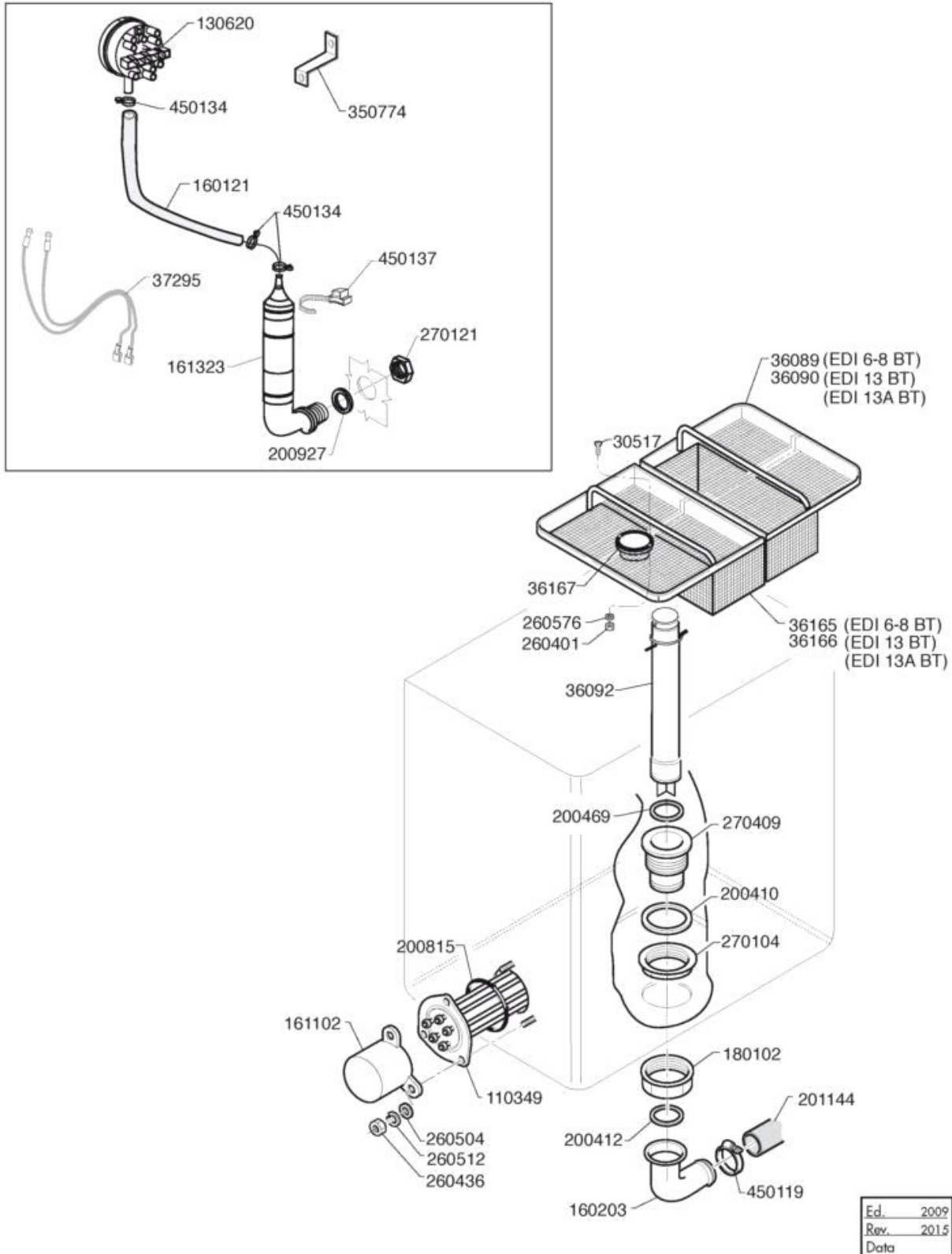
Lower Arm Wash/rinse EDI BT



Ed.	05/2009
Rev.	
Data	

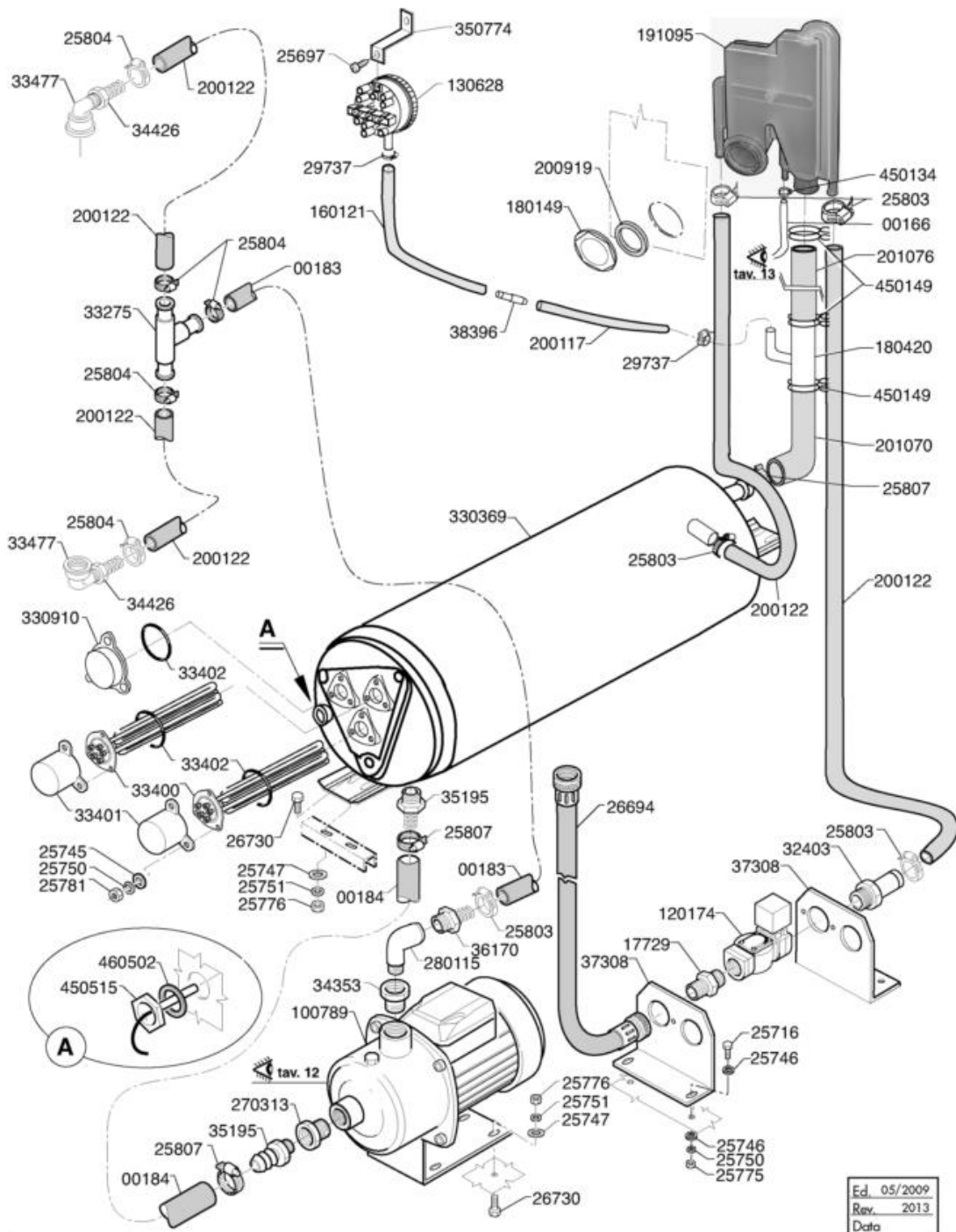
Lower Arm Wash/rinse EDI BT

Code	Description	
00182	HOSE 11X19 CASER/15"BLUE"	
190641	BUSSOLA MULIN.RISC."C" V.S.	
200809	GUARN.OR 1,78X7,66X11,21 VITON	
25745	SPACER, FLAT, DIAM.6	
25750	SPACER, SPLITTED, DIAM. 6	
25775	NUT 6 MA	
25804	HOSE CLIP 15-24 ABA	
261009	VITE FISS. MULINELLO TUB.ACC.	
26302	HEX HD.SCREW M6X35, STAINLESS S.	
34332	GASKET OR 128 SUPP.PLUG	
34899	GASKET FOR DELIV.HOSE FLANGE, EDI	
35574	DRIV.STEM, REVOLV.ARMS EDI 2	
35583	LOWER RINSE SUPPLY EXTENSION,EDI	
35587	HOSE FITTING DIAM 3/8" G MALE	
35589	REVOLV. RINSE ARM, EDI 6/13 -2?	
35590	REVOLV. RINSE ARM, EDI 8 - 2?	
35820	WASH DELIV.PIPE EDI 2?	
35821	WASH DELIV.PIPE, RIGHT, EDI 13 2?	
35871	REVOLV. WASHARM, EDI 6-13 2?	
35875	REVOLV. WASHARM, EDI 8 2?	
36006	S.S.304 BUSHING, REVOLV.WASHARM	
36082	WASH DELIV.PIPE EDI 2? ALTA	
36083	WASH DELIV.PIPE, RIGHT, EDI 13 2? A	
36276	REVOL.ARM SUPPORT EDI 2?	
36571	FEED PIPE REG. , RINSE ARM EDI	
36572	NUT M14x1RINSE ROTATION ARM EDI	
450218	MOLLA FISS.VITE MULIN.C95-155	



Code	Description	
110349	RES.FL.6000W.230/400V	
130620	PRESSOST. A 3 LIV.50-30/160-80	
160121	TUBO GOMMA NERA 5X9 PRESSOST.	
160203	CODULO CUR.1"1/2 SCAR.N-S-F-C	
161102	COPRIRESISTENZA H 50 (ALTO)	
161323	TRAPPOLA ARIA ALTA ANNO 2013	
180102	GHIERA 1"1/2 PILETTA F-C75	
200410	GUAR.NEOP.11/2"D.65X47X3	
200412	GUARNIZ. SCARICO 1"1/2 45X33X3	
200469	GUARNIZIONE A LABBRO 45X35.5X7	
200815	GUARNIZIONE OR 6x56x68	
200927	GUARNIZ.TRAPP.PRESS.C95-155	
201144	TUBO DI SCARICO DIAM.33X1500	
260401	DADO STAMPATO 3MA INOX 5587	
260436	DADO 6 MA F/Z	
260504	RONDEL.PIANE D6 INOX UNI 6592	
260512	RONDEL.GROWER D6 INOX UNI 1751	
260576	RONDELLA DENTEL.DIAM.3 D.E.	
270104	CONTRODADO OTT.1"1/2	
270121	CONTRODADO INOX 1/2"GAS TRAP.	
270409	PILETTA SCARICO VASCA 1"1/2	
30517	BEVEL, CROSS-SLOT HD.SCREW TS 3 X 1	
350774	SQUADRETTA PRESSOS.SNLC7595155	
36089	BASKET-FILTER, REAR, EDI 6-8 2?	
36090	BASKET-FILTER, REAR, EDI 13 2?	
36092	OVERFLOW TUBE EDI 2? H=534	
36165	BASKET-FILTER, FRONT, EDI 6-8 2?	
36166	BASKET-FILTER, FRONT, EDI 13 2?	
36167	GUIDE FITTING, OVERFL.TUBE EDI 2?	
37295	FILO X COLLEG.PRESSOSTATO EDI	
450119	FASCETTA FE ZN.58-75 H=12,2	
450134	FASCETTA A FILO X TUB. 9,3-8,8	
450137	ATTACCO A COLLARE C/BASE 31900	

Rinse Assembly EDI 13/13ALTA BT

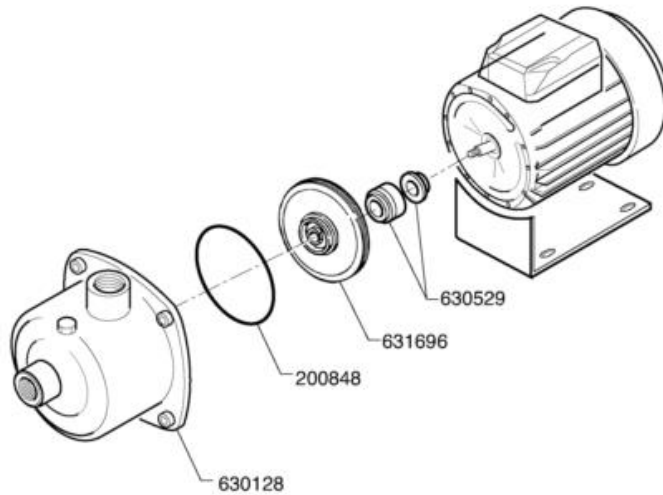
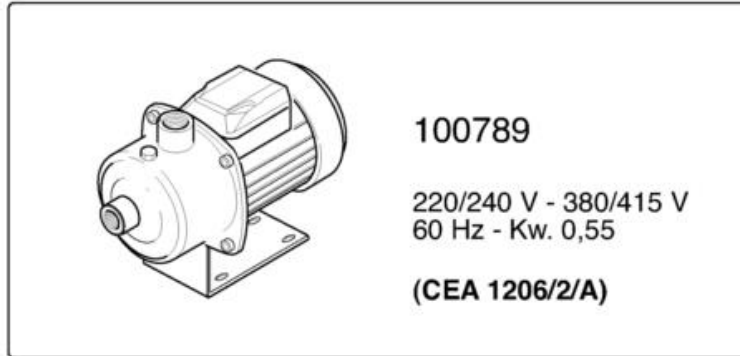


Rinse Assembly EDI 13/13ALTA BT

Code	Description	
00166	ROLL TUBE TRANSP. 4X7	
00183	23/13 CALOR HOSE	
00184	19X29 ANTICAL HOSE	
100789	POMPA HPO,75 220/415V CEA120/2	
120174	ELETTROV.L182/V01 1/2" 220V	
130628	PRESSOSTATO A 3 LIVELLI 110/70	
160121	TUBO GOMMA NERA 5X9 PRESSOST.	
17729	ADAPTER 3/4"-1/2"	
180149	GHIERA x SERB. AIR GAP	
180420	TEE AIR GAP	
191095	SERBATOIO BREAK TANK PLAST.	
200117	TUBO GOMMA 8x15 CALORFORM/10	
200122	TUBO GOMMA 11X19 CASER/15 BLU	
200919	GUARNIZIONE x PILETTA ASP.FC	
201070	TUBO BOILER-TEE BT (HV36028)	
201076	TUBO COLLEGAMENTO BT-TEE	
25697	SELF-TAPPING SCREW CHEESE D747H.ROS	
25716	SCREW HEX.HD M 6 X 20 SS	
25745	SPACER, FLAT, DIAM.6	
25746	SPACER, FLAT, DIAM.6/18	
25747	SPACER, FLAT, DIAM. 8	
25750	SPACER, SPLITTED, DIAM. 6	
25751	SPACER. SPLITTED, DIAM. 8	
25775	NUT 6 MA	
25776	NUTS 8 MA SS 18/8	
25781	NUTS 6 MA, THREADED/ZINCATED	
25803	HOSE CLIP 13-20 ABA	
25804	HOSE CLIP 15-24 ABA	
25807	HOSE CLIP 26-38 ABA	
26694	INLET TUBE NYLON M.2 dia.15	
26730	SCREW TE M 8 X 20	
270313	RIDUZIONE 1"1/4 M-3/4"F OTT.	
280115	GOMITO 1/2" GAS M/F OTTONE	
29737	FE-ZN CLAMP 9 - 12	
32403	HOSE FITTING 1/2"MALE SS	
330369	BOILER BT 26 lt. 3 RESISTENZE	
330910	FLANGIA PORTA RESISTEN. ST 88	
33275	T-SHAPED CONNECTOR ?13, PART 180403	
33400	HEAT.EL.FL.6000W 220/380V (110349)	
33401	COVER, HEATING ELEMENT H 50 (HIGH)	
33402	GASKET OR 6X56X68	
33477	ELBOW FEM/FEM. 3/8 1/4 C140-155	
34353	LEVELLED ADAPTER, 3/4" X 1/2"	
34426	PIPE UNION 1/4 G FOR C90	
350774	SQUADRETTA PRESSOS.SNLC7595155	

Rinse Assembly EDI 13/13ALTA BT

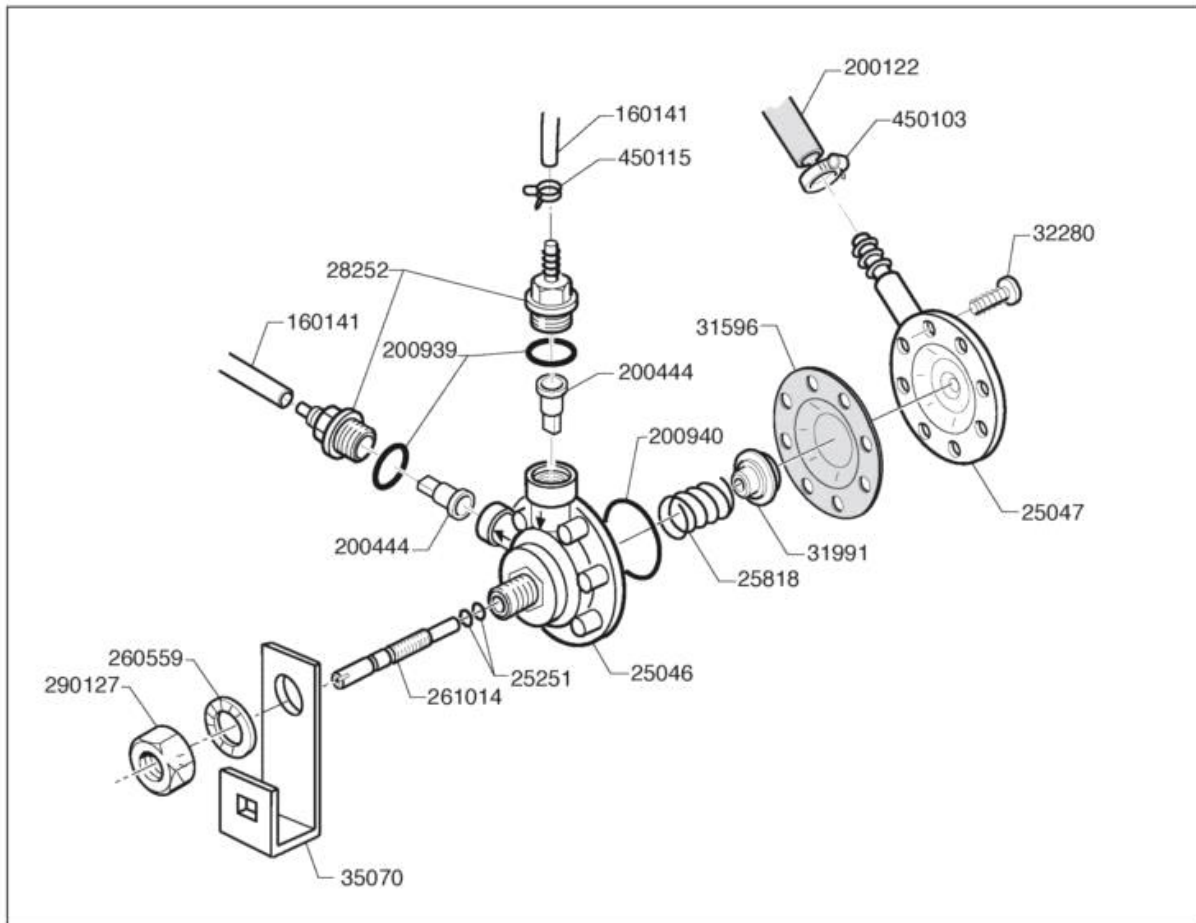
Code	Description	
35195	HOSE FITTING M DA 3/4" x 20	
36170	PORTAGOMMA 1/2"OTT.x TUBO D.12	
37308	SQUADRETTA UNIV.FISS.ELETTROV.	
38396	RACCORDO DRITTO A PORTAGOMMA	
450134	FASCETTA A FILO X TUB. 9,3-8,8	
450149	FASCETTA A 2 FILI D.34.6x36.4	
450515	GUAINA TERM. 1 TUBO INOX H=109	
460502	GUARNIZ. 30X21X2 KLINGER 1/2"	



Ed. 05/2009
Rev. 07/2013
Data

Rinse Pump EDI BT

Code	Description	
100789	POMPA HPO,75 220/415V CEA120/2	
630529	TEN.MEC.CER/GRAF.EPDM 00231475	

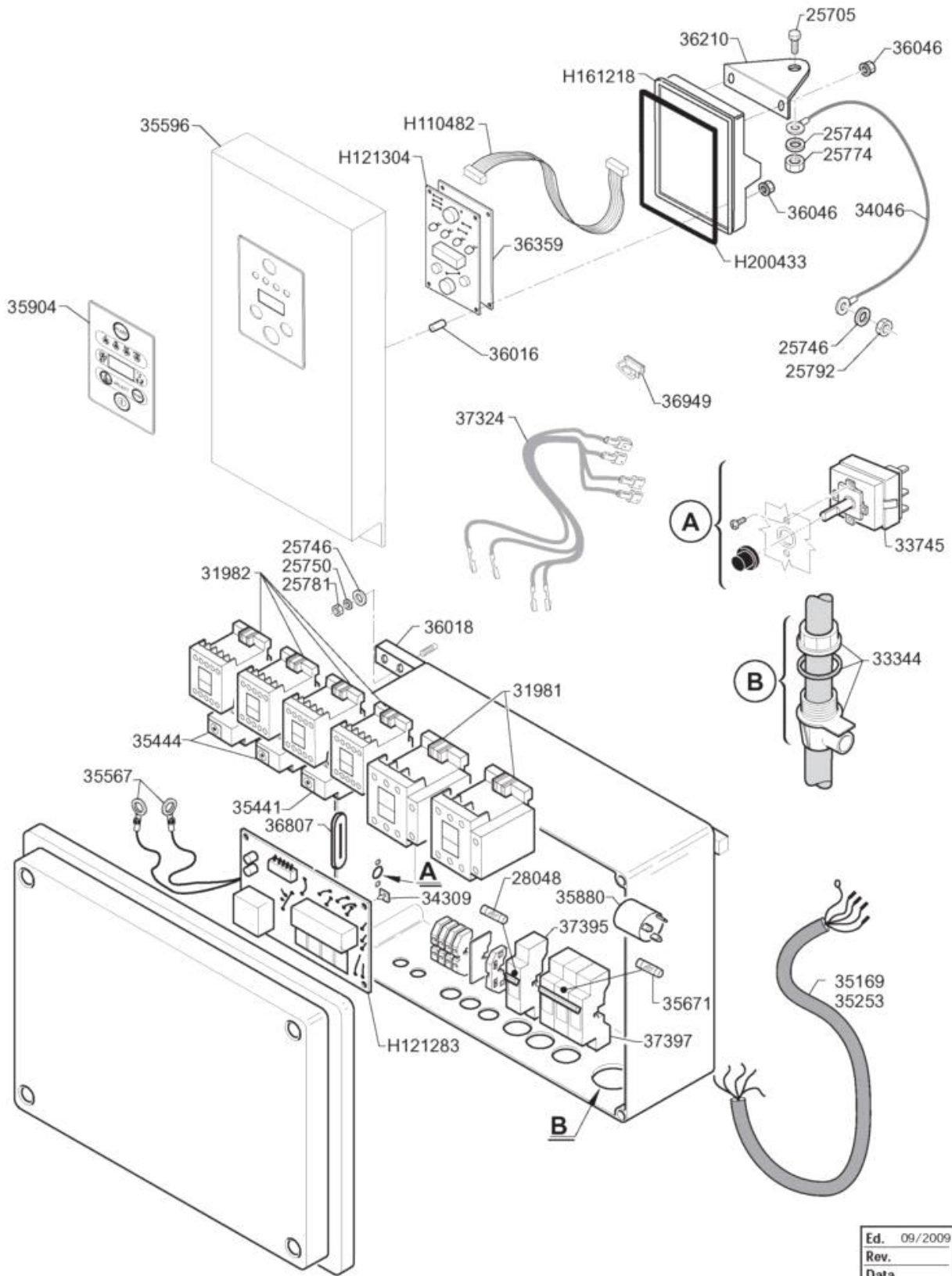


Ed.	05/2012
Rev.	2015
Data	

Rinse Aid Injector EDI BT

Code	Description	
160141	TUBETTO TRASP. BLU 4X7 ROTOLO	
200122	TUBO GOMMA 11X19 CASER/15 BLU	
200444	VALVOLA ASP.DOSATORE SILICONE	
200939	OR RACC.MAND/ASP.DOS.	
21428	RINSE AID DISPENSER, COMENDA(2-2825	
25046	UPPER DISPENSER ASSEMBLY	
25047	LOWER DISPENSER ASSEMBLY	
25251	GASKET OR 2012	
25818	CYLINDER SPRING (WIRE)	
260559	ROND.DENT.INOX A2D.12 DIN6798	
261014	VITE REGOLAZIONE DOS.BRILL.HVD	
28252	FITTING SUCTION DISPENSER	
290127	DADO FISS. DOSATORE	
31596	DIAPHRAGM, DISPENSER	
31991	SPRING GUIDE FOR DISPENSER	
32280	OVAL HD. CROSS-SL. SCREW 4 X 13	
35070	BRACKET, RINSE AID DISPENSER EDI	
450103	FASCETTA FE ZN.13-20 H=9	
450115	FASCETTA A DUE FILI D.8,3/7,8	

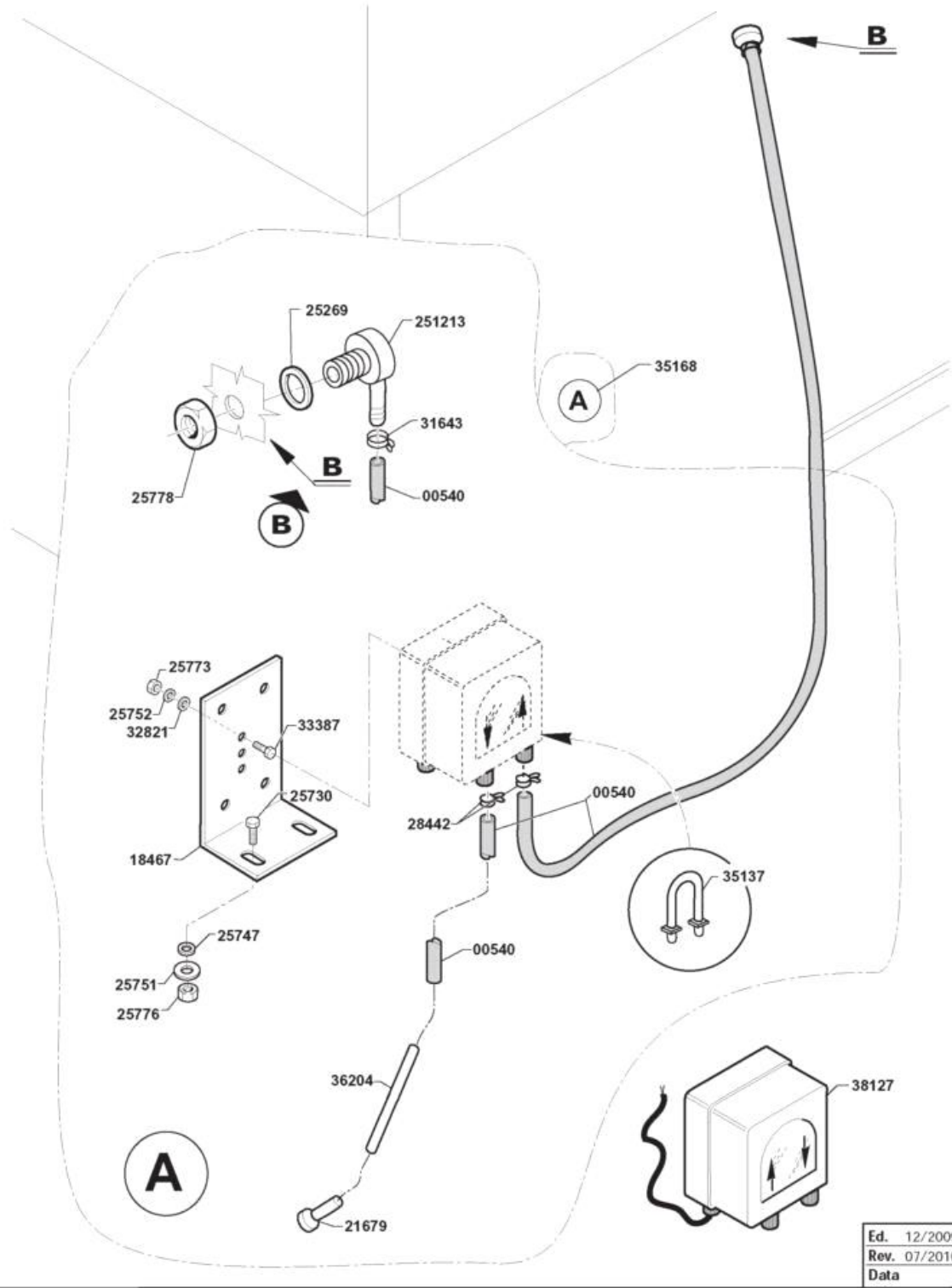
Control Box EDI 13BT-EDI 13ABT



Ed.	09/2009
Rev.	
Data	

Control Box EDI 13BT-EDI 13ABT

Code	Description	
110482	CAVO PIATTO x SCHEDA 1200 mm.	
121283	SCHEDA ELET.EDI2 883284	
121304	PULSANTIERA COMANDI HAC VERTIC	
161218	COPERTURA SCHEDA COMAN. 121304	
200433	GOMMA SPUGNA ADES.6x2,5 NEOPR	
25705	SCREW HEX.HD M 5 X 16 SS 18/8	
25744	SPACER, FLAT, DIAM.5	
25746	SPACER, FLAT, DIAM.6/18	
25750	SPACER, SPLITTED, DIAM. 6	
25774	NUTS 5 MA	
25781	NUTS 6 MA, THREADED/ZINCATED	
25792	SELF-LOCKING NUT 6 MA LOWER SIDE	
28048	FUSE 10 X 38 6 A	
31981	CONTACTOR CN 18 - 220V 50HZ	
31982	CONTACTOR CN9 - 220V 50 HZ	
33344	CABLE CLIP 5030 STEAB	
33745	LIMITER 110? MANUAL RESET	
34046	NYLON ROIPE, DRAWER LIMIT STOP	
34309	FEET PCBHOLDER	
35169	P.SUPPL.WIRE 5x6x5000 TP.H07RN-F	
35253	SUPPLY WIRE 4x6x5000 230V/3	
35441	THERMAL RELAY ABB TA 25 DU 2,4	
35444	THERMAL RELAY ABB TA 25 DU 6,5	
35567	PROBE TEMP. NTC 3.3K YELLOW	
35596	FRONT PANEL, CONTROLS, EDI 2?	
35671	FUSE 14 X 51 32 A	
35880	DEPOSIT-PROOF FILTER TYPE 411.13.22	
35904	CTRL PANEL NAMEPLATE SERIES EDI 2?	
36016	SPACER FOR KEYBOARD TYPE 3.9.02.00	
36018	CROSSBAR TO FIX ELECT.BOX EDI 13	
36046	FLANGED NUT M3 A2 DIN 6923	
36210	FIX. SQUARE FOR PANEL STOP ROPE	
36359	PROTECTION FOR ELECTR. KEYBOARD CAR	
36807	PASSACAVO x CAVO FLAT	
36949	SUPPORTO a CLIP ADESIVO	
37324	FILI COLLEGAM. PRB EDI "BT"	
37395	SEZIONATORE ITALWEBER BCH 1x38	
37397	SEZIONATORE ITALWEBER BCH 3x51	



Ed.	12/2009
Rev.	07/2010
Data	

Detergent Pump Optional 2009 cod. 38127

Code	Description	
00540	RED TUBE 8X4 ROLL	
18467	HOLDING SUPP. PUMP DISPENS.	
21679	FILTER DET.-RINSE AID PREASS.	
251213	PORTAG.A GOMITO INOX POMPA DET	
25269	FLAT GASKET	
25730	SCREW HEX.HD M 8 X 25	
25747	SPACER, FLAT, DIAM. 8	
25751	SPACER. SPLITTED, DIAM. 8	
25752	TOOTHED SPACER DIAM.4 D.E.	
25773	NUTS 4 MA SS 18/8	
25776	NUTS 8 MA SS 18/8	
25778	NUTS 12 M 18/8 ss	
28442	WIRE CLIP	
31643	HOSE CLIP 7,3-7,8	
32821	FLAT WASHER DIAM 5,5/15	
33387	HEX.HD SCREW 4X16 SS A2 UNI 5739	
35137	PUMP HOSE DET.SEKO PG3	
35168	ACCESSOR.KIT, DETERG.PUMP, EDI	
36204	SINGLE COUNTERWEIGHT, DETERGENT HOS	
38127	POMPA PERISTALTICA SEKO PR 7	