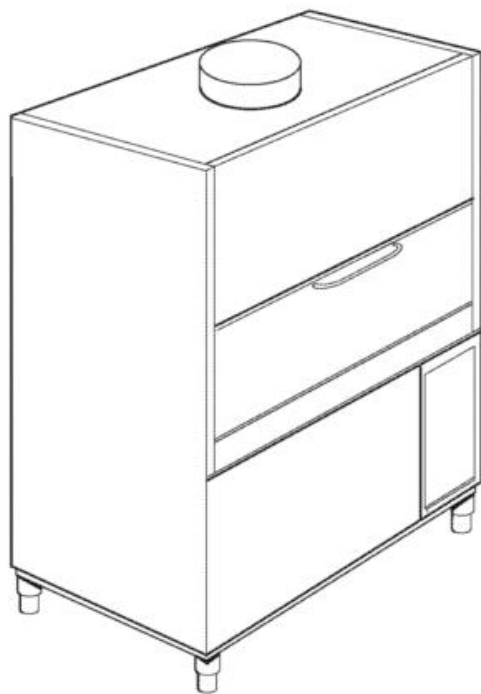


CATALOGO RICAMBI
SPARE PARTS BOOK

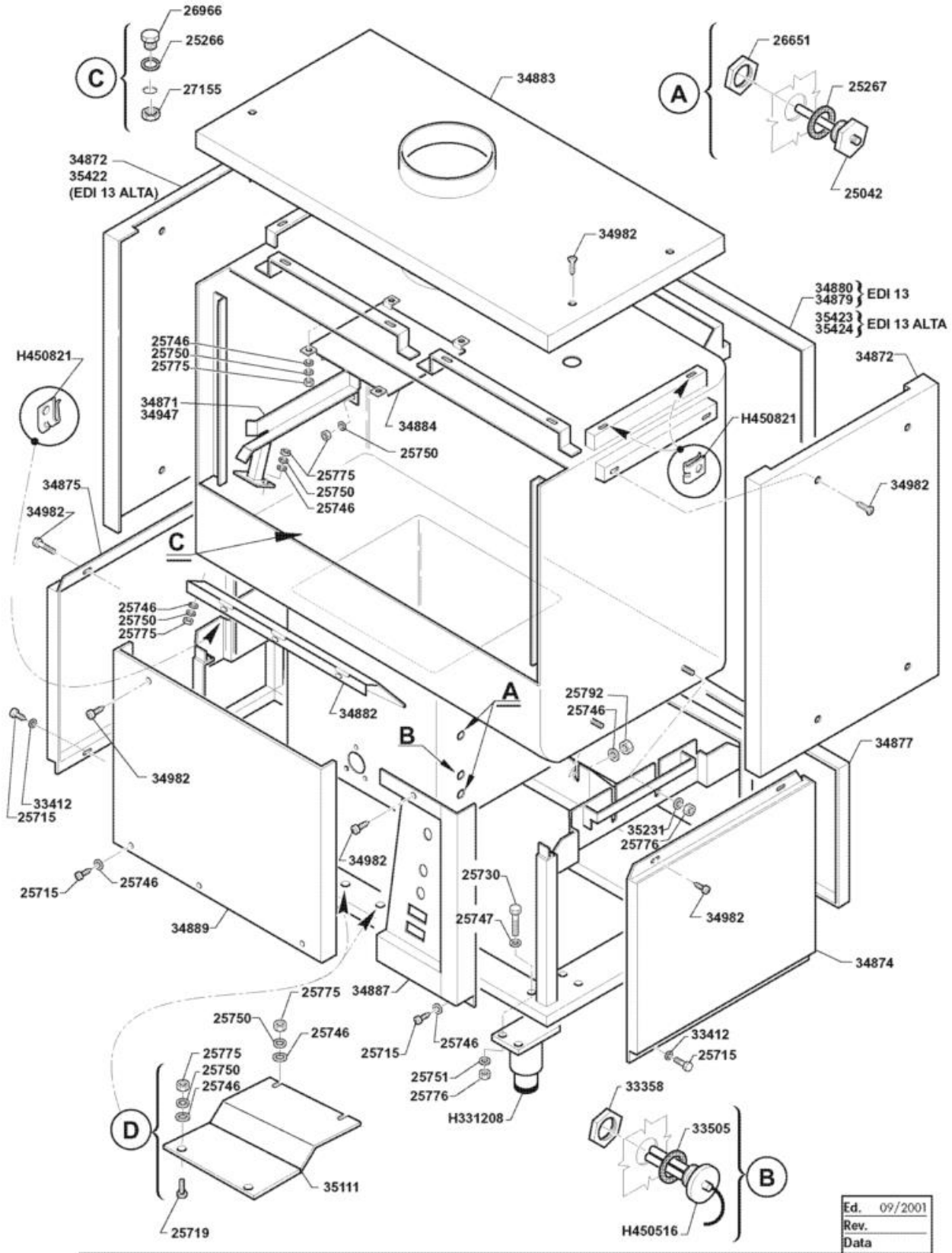


EDI 6/8/13

LO 67/83/134

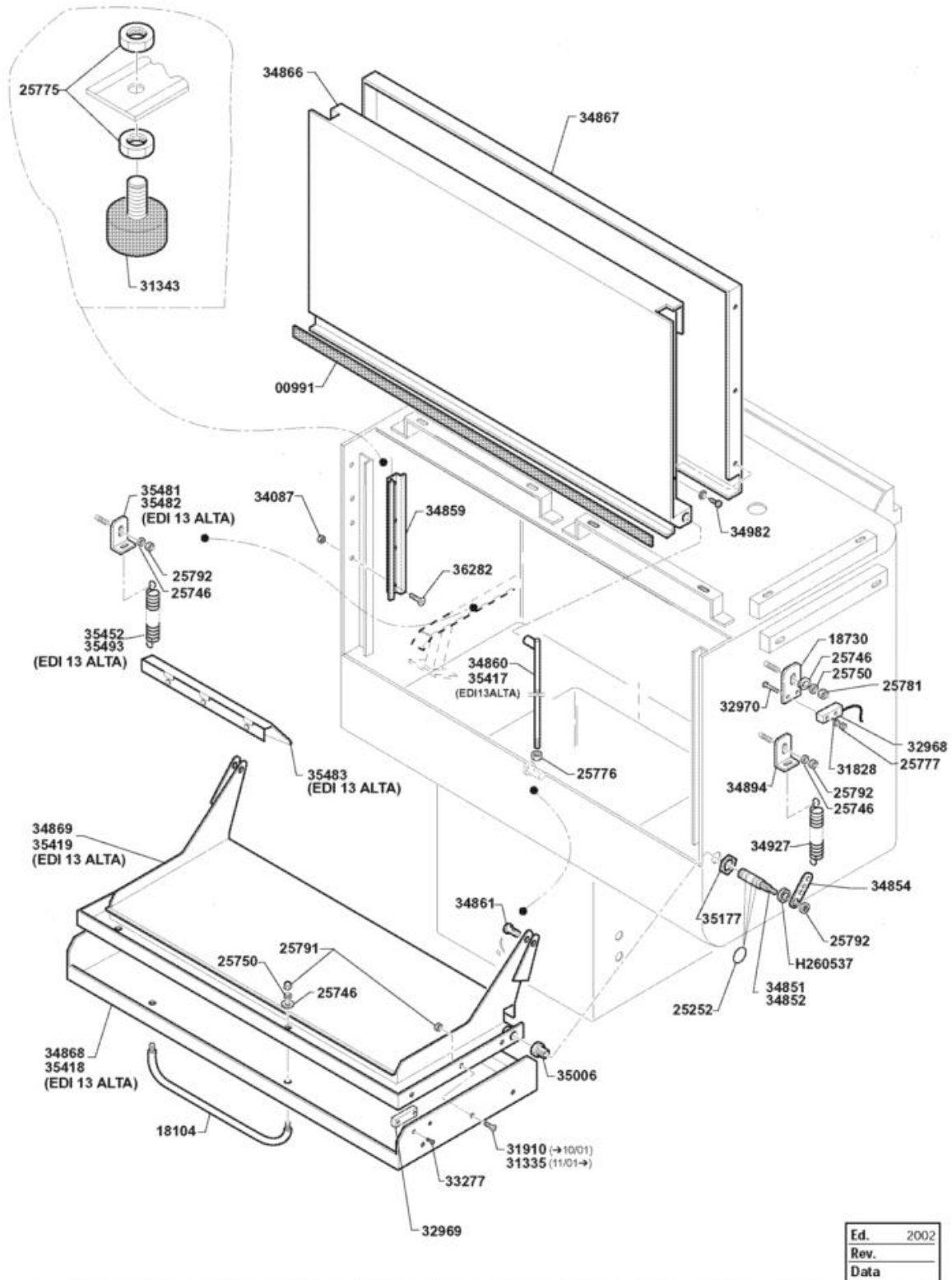
Ed. 02/2000
Rev. 2001

- 1 Body Components
- 2 Door Components
- 3 Upper Arm Wash/rinse
- 4 Upper Arm Wash/rinse
- 5 Lower Arm Wash/rinse
- 6 Lower Arm Wash/rinse
- 7 Wash Pump
- 8 Boiler/electrovalve
- 9 Rinse Pump
- 10 Drain/filters/rinsaid Pump
- 11 Drain/filters/rinsaid Pump
- 12 Electrical Components
- 13 Shower Optional
- 14 Wheels Optional
- 15 Drain Pump Optional
- 16 Detergent Pump Optional
- 17 Detergent Pump Optional 2009 cod. 38127
- 18 Panels For Acoustic And Thermic Isolation Optional
- 19 Racks
- 20 Racks



Body Components

| Code | Description | |
|--------|-------------------------------------|--|
| 25042 | LEVEL PROBE | |
| 25266 | FLAT GASKET 18 X 10 X 2 | |
| 25267 | FLAT GASKET 31 X 21 X 2 | |
| 25715 | SCREW HEX.HD M 6 X 16 SS | |
| 25719 | SCREW HEX.HD M 6 X 25 | |
| 25730 | SCREW HEX.HD M 8 X 25 | |
| 25746 | SPACER, FLAT, DIAM.6/18 | |
| 25747 | SPACER, FLAT, DIAM. 8 | |
| 25750 | SPACER, SPLITTED, DIAM. 6 | |
| 25751 | SPACER. SPLITTED, DIAM. 8 | |
| 25775 | NUT 6 MA | |
| 25776 | NUTS 8 MA SS 18/8 | |
| 25792 | SELF-LOCKING NUT 6 MA LOWER SIDE | |
| 26651 | NUT X T 1/2" | |
| 26966 | HOLE CLOSING PLUG | |
| 27155 | PLASTIC NUT10 M | |
| 331208 | PIEDE TELESCOPICO INOX | |
| 33358 | LOCK NUT 1/2" ES.30 SP.7"SS" | |
| 33412 | PRESSED WASHER 7x22x2 | |
| 33505 | GASKET 30X21X2 KLINGER SIL | |
| 34871 | BASKET SLIDE GUIDE LEFT, SERIES EDI | |
| 34872 | TANK UPPER SIDE PANEL, EDI | |
| 34874 | TANK BASE RIGHT SIDE PANEL, EDI | |
| 34875 | TANK BASE LEFT SIDE PANEL, EDI | |
| 34877 | TANK BASE REAR PANEL, EDI 13 | |
| 34879 | UPPER REAR PANEL, RIGHT, EDI 13 | |
| 34880 | UPPER REAR PANEL, LEFT, EDI 13 | |
| 34882 | FRONT PANEL GRIP PROFILE, EDI 13 | |
| 34883 | TOP UPPER PANEL, EDI 13 | |
| 34884 | SPLATTER-PROOF, VAPOR OUTLET, EDI | |
| 34887 | FRONT CONTROL PANEL, EDI | |
| 34889 | FRONT PANEL, EDI 13 | |
| 34947 | BASKET SLIDE GUIDE, RIGHT, EDI | |
| 34982 | SCREW M5X12, HALF-ROUND HD. COMBI | |
| 35111 | REINF.SUPPORT, VAC.GUARD, EDI 13 | |
| 35231 | FLAT WASHER 8 X 24 | |
| 35422 | UPPER SIDE PANEL, EDI, HIGH | |
| 35423 | REAR UPPER PANEL, RIGHT EDI 13, HIG | |
| 35424 | REAR UPPER PANEL,LEFT EDI 13 HIGH | |
| 450516 | GUAINA TERM. 2 TUBI INOX H=109 | |
| 450821 | PIASTRINA FASTNER 5 MA | |



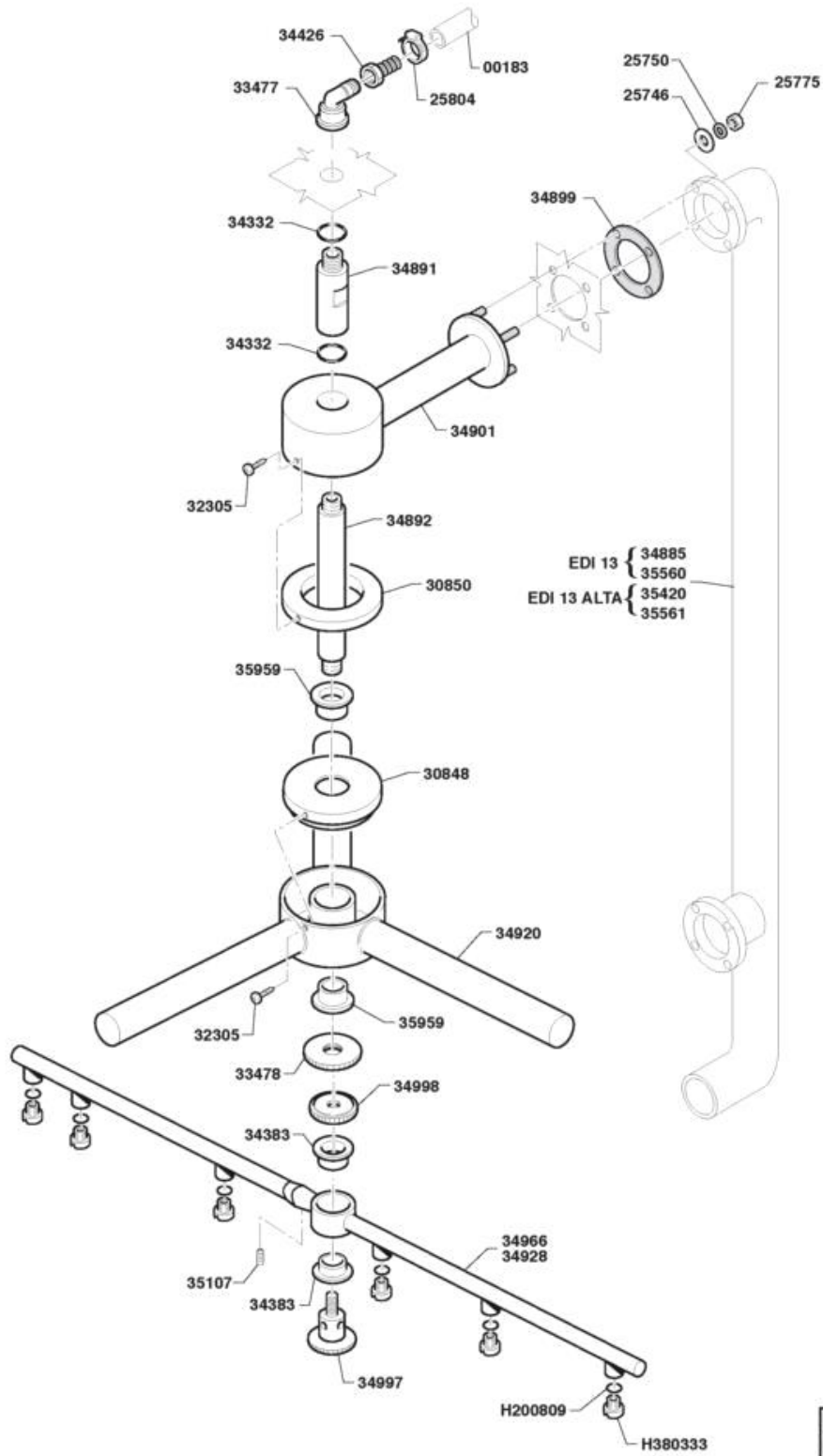
Door Components

| Code | Description | |
|--------|-------------------------------------|--|
| 00991 | ROLL FLAT PROFILE 15X5 | |
| 18104 | HANDLE ED 600/700/900/90 | |
| 18730 | FIX.PLATE, MAGNETIC COUNTER | |
| 25252 | GASKET OR 108 | |
| 25746 | SPACER, FLAT, DIAM.6/18 | |
| 25750 | SPACER, SPLITTED, DIAM. 6 | |
| 25775 | NUT 6 MA | |
| 25776 | NUTS 8 MA SS 18/8 | |
| 25777 | NUTS 3 MA | |
| 25781 | NUTS 6 MA, THREADED/ZINCATED | |
| 25791 | SELF-LOCKING NUT 5 MA LOWER SIDE | |
| 25792 | SELF-LOCKING NUT 6 MA LOWER SIDE | |
| 260537 | RONDEL.INOX D.13X20X0,8-6592 | |
| 31335 | BEVEL-HD SCREW 5X8, SPECIAL | |
| 31343 | SHOCK ABSORBER, DOOR ED 630/90 | |
| 31828 | DENTED ROUND SPACER, EX ? 3 | |
| 31910 | HALF-ROUND SCREW 5 X 8T | |
| 32968 | MAGNETIC SENSOR | |
| 32969 | MAGNET FOR CONTACT M350 AP | |
| 32970 | BEVEL, CROSS-SLOT HD. SCREW TS 3 X | |
| 33277 | SELF-TAPPING SCREW TSP 2,9 X 9,5 | |
| 34087 | FLANGED NUT M5 A2 DIN 6923 | |
| 34851 | DOOR PIVOT, EDI, LEFT | |
| 34852 | DOOR PIVOT, EDI, RIGHT | |
| 34854 | COMPENSAT.LEVER FOR DOOR EDI | |
| 34859 | UPPER DOOR GUIDE, EDI | |
| 34860 | DOOR-RAIS. STAY, UPPER, EDI | |
| 34861 | DOOR-RAIS. STAY PIVOT, EDI | |
| 34866 | UPPER DOOR, EDI 13 | |
| 34867 | UPPER DOOR INNER PANEL EDI 13 | |
| 34868 | LOWER DOOR, EDI 13 | |
| 34869 | LOWER DOOR INNER PANEL EDI 13 | |
| 34894 | SPRING CLIPPING BRACKET, EDI | |
| 34927 | DOOR SPRING, EDI | |
| 34982 | SCREW M5X12, HALF-ROUND HD. COMBI | |
| 35006 | BUSH, HOUSING, SERIES EDI | |
| 35177 | NUT 3/8"G SS | |
| 35417 | UPPER DOOR LIFT ROD, EDI 13 HIGH | |
| 35418 | LOWER DOOR EDI 13 ALTA | |
| 35419 | LWR DOOR INNER PANEL EDI 13 HIGH | |
| 35452 | DOOR SPRING EDI, WIRE D. 3 | |
| 35481 | SPRING HOLDER PLATE, RIGHT | |
| 35482 | SPRING HOLDER PLATE, LEFT | |
| 35483 | SPRING HOLDER CROSSBAR UNDER DOOR | |
| 35493 | PRESS.SPRING, DOOR EDI, THREAD D.2, | |

Door Components

| Code | Description | |
|-------|--------------------------------|--|
| 36282 | VITE TC 5 X 30 INOX DIN7985 A2 | |

Upper Arm Wash/rinse



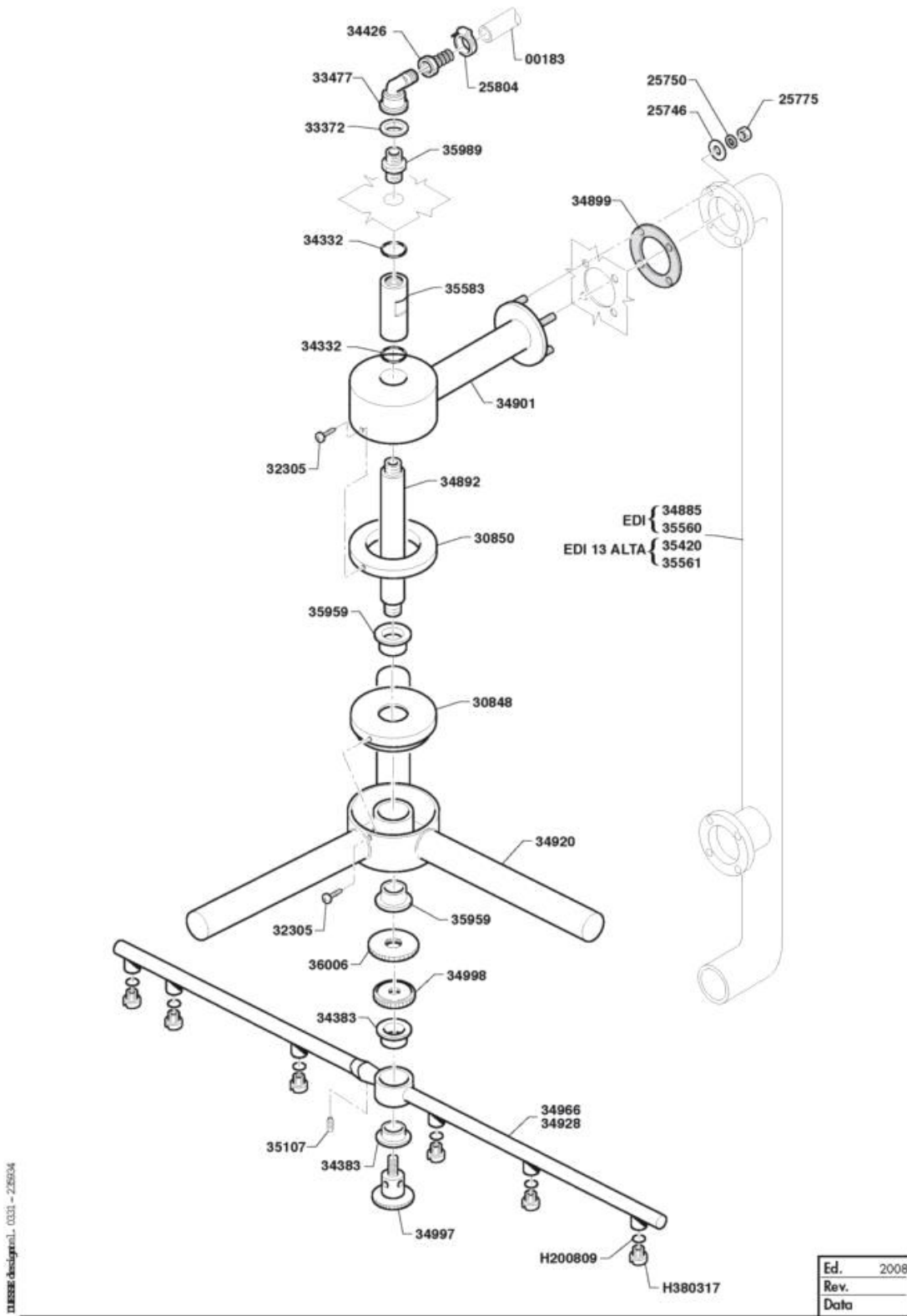
DUESSE design tel. 0331 -

| | |
|------|---------|
| Ed. | 09/2001 |
| Rev. | 2005 |
| Data | |

Upper Arm Wash/rinse

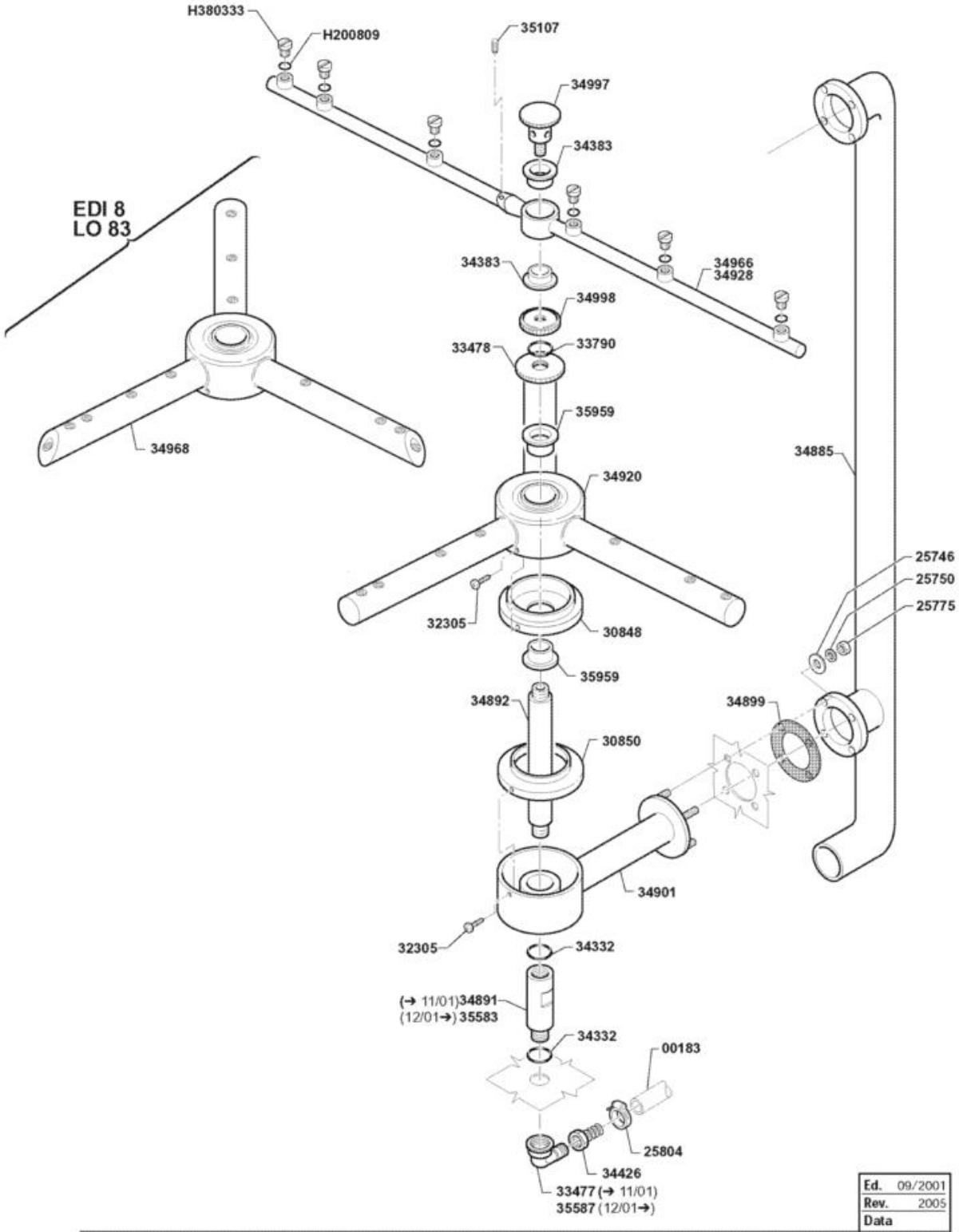
| Code | Description | |
|---------|-------------------------------------|--|
| 00183 | 23/13 CALOR HOSE | |
| 25746 | SPACER, FLAT, DIAM.6/18 | |
| 25750 | SPACER, SPLITTED, DIAM. 6 | |
| 25775 | NUT 6 MA | |
| 25804 | HOSE CLIP 15-24 ABA | |
| 30848 | FLANGE FOR LARGE TURBO COVER | |
| 30850 | COVER, TURBO WASH BOX, LARGE | |
| 32305 | BEV.HD, CROSS SL. SELF-TAPPING SCRE | |
| 33477 | ELBOW FEM/FEM. 3/8 1/4 C140-155 | |
| 33478 | LOCK NUT, WASHARM C140-155 | |
| 34332 | GASKET OR 128 SUPP.PLUG | |
| 34383 | BUSH SPRING HUB, RINSE ROT.ARM | |
| 34426 | PIPE UNION 1/4 G FOR C90 | |
| 34885 | DELIVERY HOSE, WASH, EDI | |
| 34891 | RINSE DELIVERY ESTENSION, EDI | |
| 34892 | DRIV.SHAFT, ROT. ARM, EDI | |
| 34899 | GASKET FOR DELIV.HOSE FLANGE, EDI | |
| 34901 | ROT.ARM SUPPORT, SERIES EDI | |
| 34920 | ROT.WASHARM EDI 6813 | |
| 34928 | RINSE ROT. ARM, EDI 6/13 | |
| 34966 | RINSE ROTATING ARM, EDI 8 | |
| 34997 | PIN, RINSE REVOLV.ARM,RIGHT | |
| 34998 | SPAC.NUT, REVOLV RINSE ARM, DX | |
| 35107 | DOWEL FOR FLT.GSKT 4X4, DIN 913 | |
| 35420 | WASH SUPPLY PIPE EDI, HIGH | |
| 35560 | WASH DELIV.PIPE EDI13, RIGHT | |
| 35561 | WASH DELIV.PIPE EDI13, HIGH, RIGHT | |
| 35959 | BUSH, REVOLV.WASHARM HUB, EDI | |
| H200809 | OR GASKET 1,78X7,66X11,21 VITON | |
| H380333 | S/S RINSE JET OV120 80LT 1/8" | |

Upper Arm Wash/rinse



Upper Arm Wash/rinse

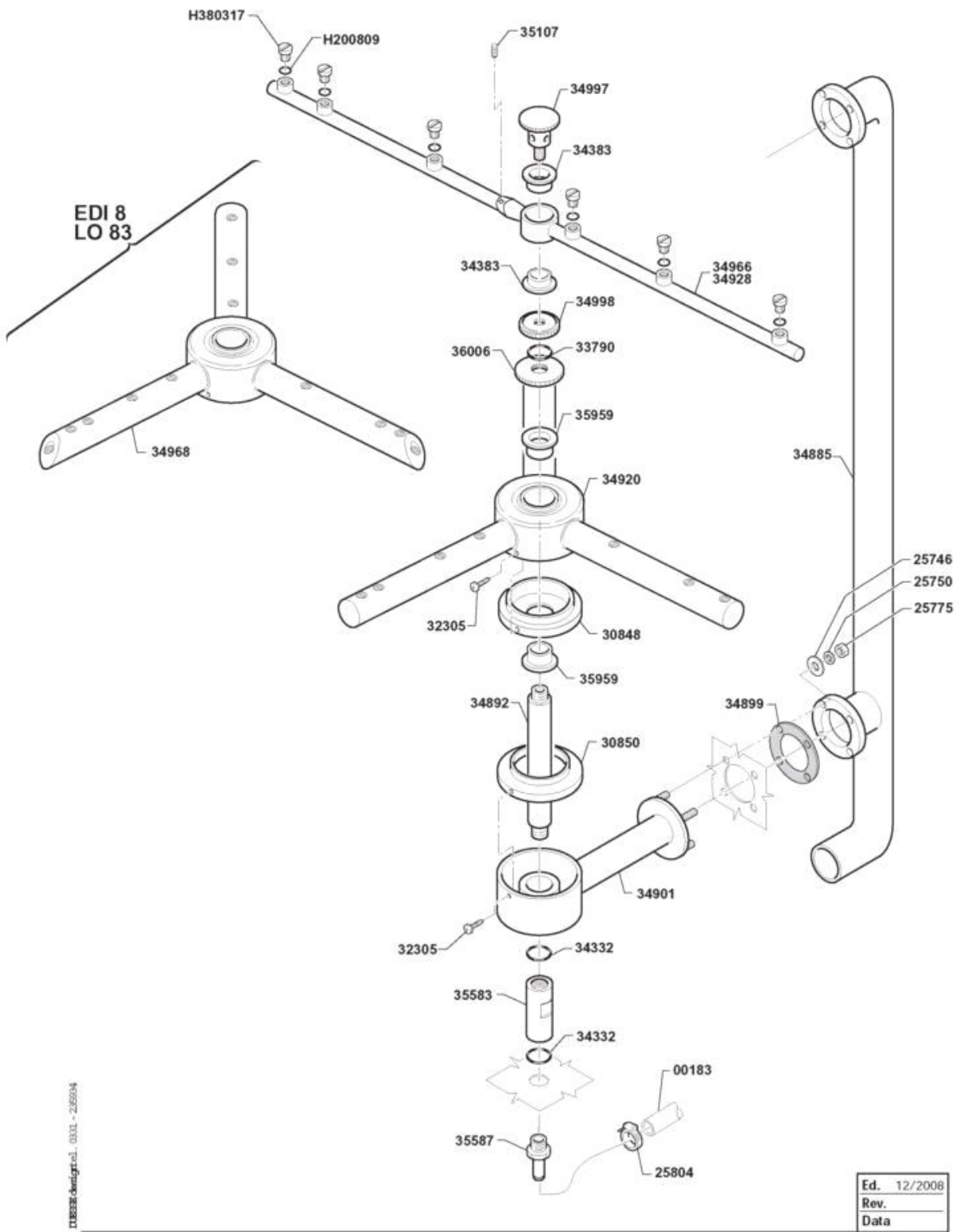
| Code | Description | |
|---------|-------------------------------------|--|
| 00183 | 23/13 CALOR HOSE | |
| 25746 | SPACER, FLAT, DIAM.6/18 | |
| 25750 | SPACER, SPLITTED, DIAM. 6 | |
| 25775 | NUT 6 MA | |
| 25804 | HOSE CLIP 15-24 ABA | |
| 30848 | FLANGE FOR LARGE TURBO COVER | |
| 30850 | COVER, TURBO WASH BOX, LARGE | |
| 32305 | BEV.HD, CROSS SL. SELF-TAPPING SCRE | |
| 33372 | GASKET 24X17X2 FASIT OMNIA | |
| 33477 | ELBOW FEM/FEM. 3/8 1/4 C140-155 | |
| 34332 | GASKET OR 128 SUPP.PLUG | |
| 34383 | BUSH SPRING HUB, RINSE ROT.ARM | |
| 34426 | PIPE UNION 1/4 G FOR C90 | |
| 34885 | DELIVERY HOSE, WASH, EDI | |
| 34892 | DRIV.SHAFT, ROT. ARM, EDI | |
| 34899 | GASKET FOR DELIV.HOSE FLANGE, EDI | |
| 34901 | ROT.ARM SUPPORT, SERIES EDI | |
| 34920 | ROT.WASHARM EDI 6813 | |
| 34928 | RINSE ROT. ARM, EDI 6/13 | |
| 34966 | RINSE ROTATING ARM, EDI 8 | |
| 34997 | PIN, RINSE REVOLV.ARM,RIGHT | |
| 34998 | SPAC.NUT, REVOLV RINSE ARM, DX | |
| 35107 | DOWEL FOR FLT.GSKT 4X4, DIN 913 | |
| 35420 | WASH SUPPLY PIPE EDI, HIGH | |
| 35560 | WASH DELIV.PIPE EDI13, RIGHT | |
| 35561 | WASH DELIV.PIPE EDI13, HIGH, RIGHT | |
| 35583 | LOWER RINSE SUPPLY EXTENSION,EDI | |
| 35959 | BUSH, REVOLV.WASHARM HUB, EDI | |
| 35989 | NIPPLES 3/8 M/M SS | |
| 36006 | S.S.304 BUSHING, REVOLV.WASHARM | |
| H200809 | OR GASKET 1,78X7,66X11,21 VITON | |
| H380317 | NEBULIZZ. OV 1/8" 303 125lt 80 | |



| | |
|------|---------|
| Ed. | 09/2001 |
| Rev. | 2005 |
| Data | |

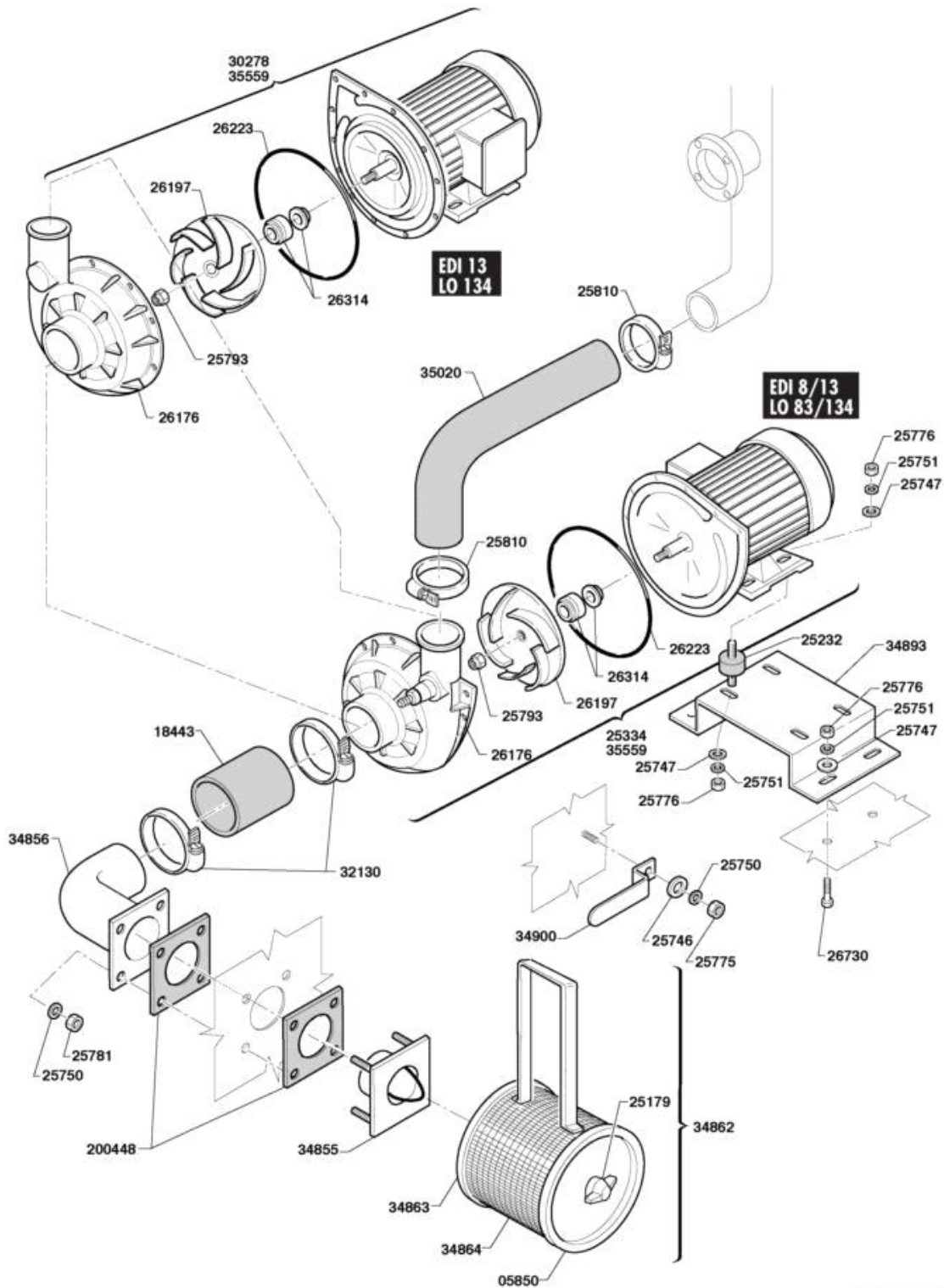
Lower Arm Wash/rinse

| Code | Description | |
|--------|-------------------------------------|--|
| 00183 | 23/13 CALOR HOSE | |
| 200809 | GUARN.OR 1,78X7,66X11,21 VITON | |
| 25746 | SPACER, FLAT, DIAM.6/18 | |
| 25750 | SPACER, SPLITTED, DIAM. 6 | |
| 25775 | NUT 6 MA | |
| 25804 | HOSE CLIP 15-24 ABA | |
| 30848 | FLANGE FOR LARGE TURBO COVER | |
| 30850 | COVER, TURBO WASH BOX, LARGE | |
| 32305 | BEV.HD, CROSS SL. SELF-TAPPING SCRE | |
| 33477 | ELBOW FEM/FEM. 3/8 1/4 C140-155 | |
| 33478 | LOCK NUT, WASHARM C140-155 | |
| 33790 | GASKET OR 2X9,5X13,5 F.S. | |
| 34332 | GASKET OR 128 SUPP.PLUG | |
| 34383 | BUSH SPRING HUB, RINSE ROT.ARM | |
| 34426 | PIPE UNION 1/4 G FOR C90 | |
| 34885 | DELIVERY HOSE, WASH, EDI | |
| 34891 | RINSE DELIVERY ESTENSION, EDI | |
| 34892 | DRIV.SHAFT, ROT. ARM, EDI | |
| 34899 | GASKET FOR DELIV.HOSE FLANGE, EDI | |
| 34901 | ROT.ARM SUPPORT, SERIES EDI | |
| 34920 | ROT.WASHARM EDI 6813 | |
| 34928 | RINSE ROT. ARM, EDI 6/13 | |
| 34966 | RINSE ROTATING ARM, EDI 8 | |
| 34968 | WASH ROTATING ARM, EDI 8 | |
| 34997 | PIN, RINSE REVOLV.ARM,RIGHT | |
| 34998 | SPAC.NUT, REVOLV RINSE ARM, DX | |
| 35107 | DOWEL FOR FLT.GSKT 4X4, DIN 913 | |
| 35583 | LOWER RINSE SUPPLY EXTENSION,EDI | |
| 35587 | HOSE FITTING DIAM 3/8" G MALE | |
| 35959 | BUSH, REVOLV.WASHARM HUB, EDI | |



Lower Arm Wash/rinse

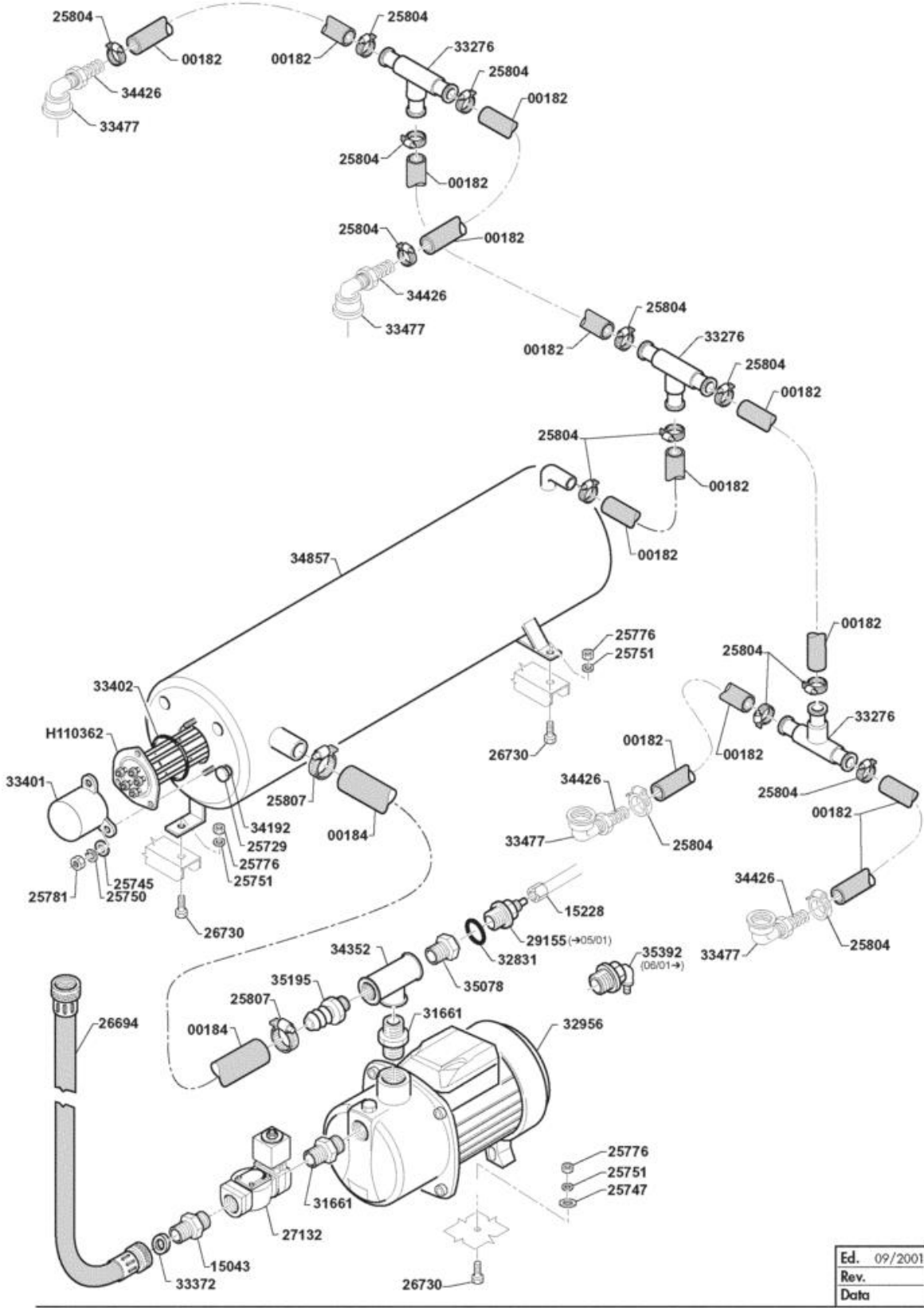
| Code | Description | |
|--------|-------------------------------------|--|
| 00183 | 23/13 CALOR HOSE | |
| 200809 | GUARN.OR 1,78X7,66X11,21 VITON | |
| 25746 | SPACER, FLAT, DIAM.6/18 | |
| 25750 | SPACER, SPLITTED, DIAM. 6 | |
| 25775 | NUT 6 MA | |
| 25804 | HOSE CLIP 15-24 ABA | |
| 30848 | FLANGE FOR LARGE TURBO COVER | |
| 30850 | COVER, TURBO WASH BOX, LARGE | |
| 32305 | BEV.HD, CROSS SL. SELF-TAPPING SCRE | |
| 33790 | GASKET OR 2X9,5X13,5 F.S. | |
| 34332 | GASKET OR 128 SUPP.PLUG | |
| 34383 | BUSH SPRING HUB, RINSE ROT.ARM | |
| 34885 | DELIVERY HOSE, WASH, EDI | |
| 34892 | DRIV.SHAFT, ROT. ARM, EDI | |
| 34899 | GASKET FOR DELIV.HOSE FLANGE, EDI | |
| 34901 | ROT.ARM SUPPORT, SERIES EDI | |
| 34920 | ROT.WASHARM EDI 6813 | |
| 34928 | RINSE ROT. ARM, EDI 6/13 | |
| 34966 | RINSE ROTATING ARM, EDI 8 | |
| 34968 | WASH ROTATING ARM, EDI 8 | |
| 34997 | PIN, RINSE REVOLV.ARM,RIGHT | |
| 34998 | SPAC.NUT, REVOLV RINSE ARM, DX | |
| 35107 | DOWEL FOR FLT.GSKT 4X4, DIN 913 | |
| 35583 | LOWER RINSE SUPPLY EXTENSION,EDI | |
| 35587 | HOSE FITTING DIAM 3/8" G MALE | |
| 35959 | BUSH, REVOLV.WASHARM HUB, EDI | |
| 36006 | S.S.304 BUSHING, REVOLV.WASHARM | |
| 380317 | NEBULIZZ. OV 1/8" 303 125lt 80 | |



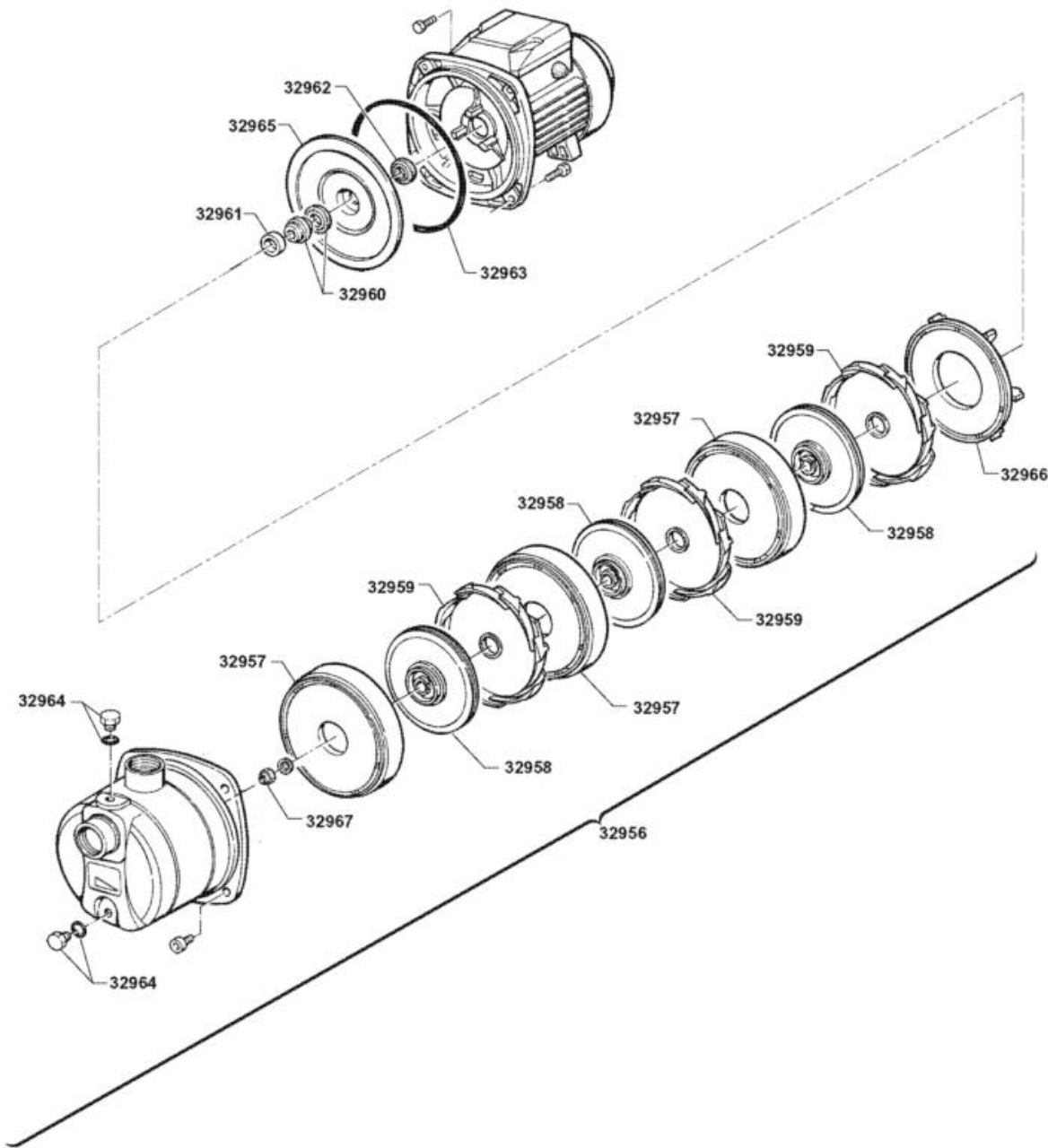
| | |
|------|---------|
| Ecl. | 2002 |
| Rev. | 11/2011 |
| Data | |

Wash Pump

| Code | Description | |
|-------|-------------------------------------|--|
| 05850 | COVER UPPER FILTER PUMP | |
| 18443 | INLET SLEEVE 900/90-D60X70X80 | |
| 25179 | WING NUT, RINSE ARM | |
| 25232 | ISOLATOR 2 PINS 8 MA 30x20 | |
| 25334 | WASH PUMP CENTRIF.DX HP 3,2 | |
| 25746 | SPACER, FLAT, DIAM.6/18 | |
| 25747 | SPACER, FLAT, DIAM. 8 | |
| 25750 | SPACER, SPLITTED, DIAM. 6 | |
| 25751 | SPACER. SPLITTED, DIAM. 8 | |
| 25775 | NUT 6 MA | |
| 25776 | NUTS 8 MA SS 18/8 | |
| 25781 | NUTS 6 MA, THREADED/ZINCATED | |
| 25793 | SELF-LOCKING NUT 8 MA LOWER SIDE | |
| 25810 | HOSE CLIP 55-70 | |
| 26176 | COVER, WASH PUMP HP 3 RIGHT | |
| 26197 | IMPELLER WASH P.HP2,7-3 DX | |
| 26223 | GASKET, COVER PUMP | |
| 26314 | SHAFT SEAL, WASH PUMP HP 1,5/2 | |
| 26730 | SCREW TE M 8 X 20 | |
| 30278 | CENTRIF.WASH PUMP, LEFT, HP 3,2 | |
| 32130 | HOSE CLIP 60-80 | |
| 34855 | PIPE INSIDE TANK, PUMP SUCTION, EDI | |
| 34856 | PUMP SUCTION PIPE, EDI | |
| 34863 | BOTTOM PLATE, FILTER CPL EDI | |
| 34864 | CASING, FILTER EDI 6/8/13 | |
| 34893 | WASH PUMP PLATE, EDI | |
| 34900 | FILTER GRIP JUMPER, EDI | |
| 35020 | DELIVERY SLEEVE, C 81/C 90 | |
| 35559 | WASH PUMP HP3,2 DX 1243 T FIR | |



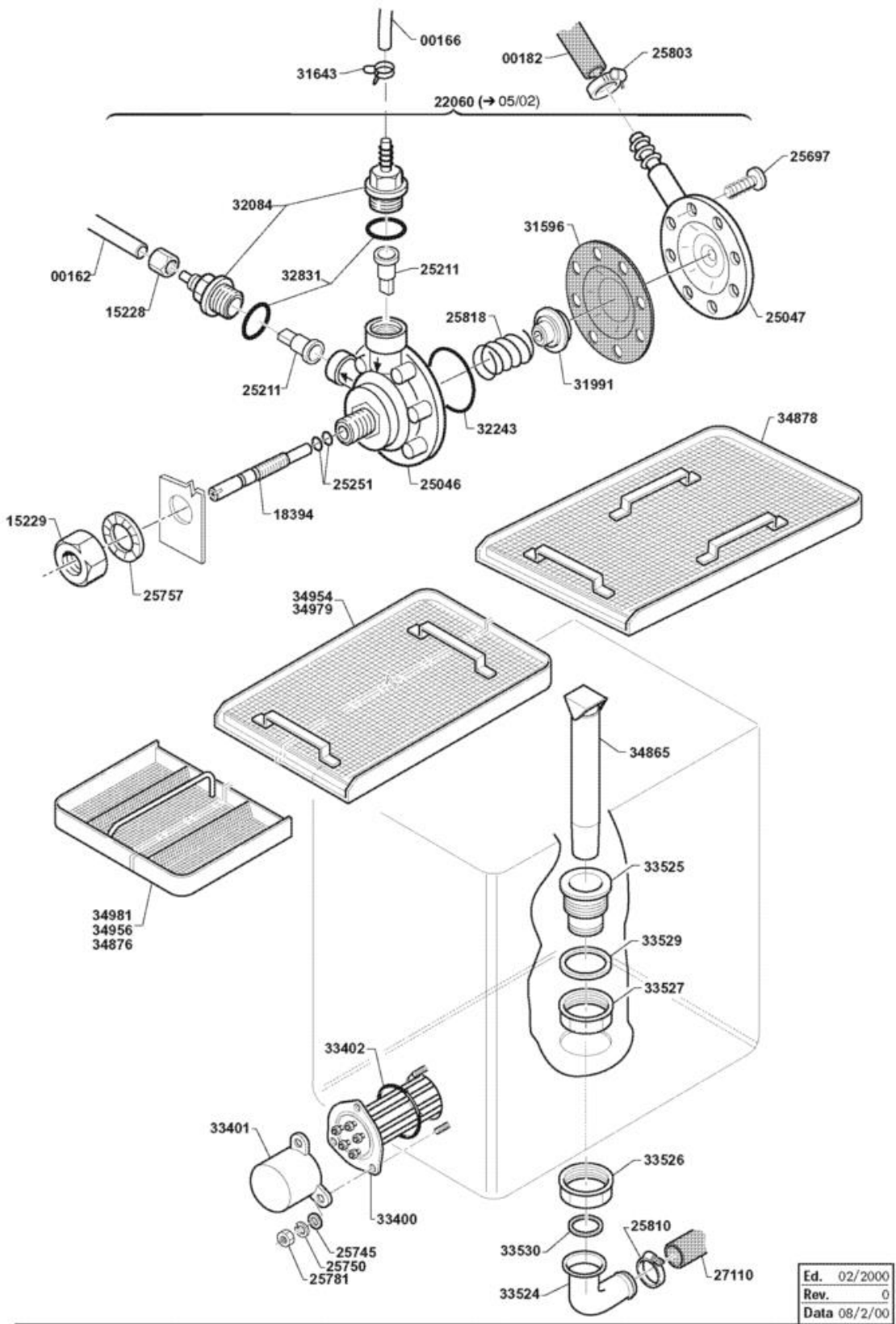
| Code | Description | |
|--------|-------------------------------------|--|
| 00182 | HOSE 11X19 CASER/15"BLUE" | |
| 00184 | 19X29 ANTICAL HOSE | |
| 110362 | RESISTENZA FL. 9000W 230V | |
| 15043 | BRASS NIPPLES 3/4 M/M | |
| 15228 | RING FOR RINSING SOLUTION TUBE | |
| 25729 | SCREW HEX.HD 8 X 12 SS | |
| 25745 | SPACER, FLAT, DIAM.6 | |
| 25747 | SPACER, FLAT, DIAM. 8 | |
| 25750 | SPACER, SPLITTED, DIAM. 6 | |
| 25751 | SPACER. SPLITTED, DIAM. 8 | |
| 25776 | NUTS 8 MA SS 18/8 | |
| 25781 | NUTS 6 MA, THREADED/ZINCATED | |
| 25804 | HOSE CLIP 15-24 ABA | |
| 25807 | HOSE CLIP 26-38 ABA | |
| 26694 | INLET TUBE NYLON M.2 dia.15 | |
| 26730 | SCREW TE M 8 X 20 | |
| 27132 | INDUSTR.SOLENOID VALVE 3/4" | |
| 29155 | FITTING, DISPENSER VALVE SR | |
| 31661 | THREADED P.UNION 1"-3/4" M/M | |
| 32831 | GASKET OR 2062 | |
| 32956 | WASH PUMP PRESS.SW. 0,85 HP | |
| 33276 | T-SHAPED CONNECTOR ?11,5-PART180413 | |
| 33372 | GASKET 24X17X2 FASIT OMNIA | |
| 33401 | COVER, HEATING ELEMENT H 50 (HIGH) | |
| 33402 | GASKET OR 6X56X68 | |
| 33477 | ELBOW FEM/FEM. 3/8 1/4 C140-155 | |
| 34192 | SEAL WASHER | |
| 34352 | T-SHAPED PIPE UNION, BRASS, 3/4" | |
| 34426 | PIPE UNION 1/4 G FOR C90 | |
| 34857 | BOILER CPL EDI | |
| 35078 | ADAPTER, 3/4"M - 3/8"F, BRASS | |
| 35195 | HOSE FITTING M DA 3/4" x 20 | |
| 35392 | 90? VALVE FITTING, RINSE AID H/C | |



| | |
|------|---------|
| Ed. | 02/2000 |
| Rev. | 0 |
| Data | 08/2/00 |

Rinse Pump

| Code | Description | |
|-------|-----------------------------------|--|
| 32956 | WASH PUMP PRESS. SW. 0,85 HP | |
| 32957 | COVER FOR PUMP 3CR 100 | |
| 32958 | IMPELLER FOR PUMPQ 3CR 100 | |
| 32959 | DIFFUSER FOR PUMP 3CR 100 | |
| 32960 | MECH. SEAL. PUMP 3CR 100 use35371 | |
| 32961 | SPACER RING 3CR 100 | |
| 32962 | SPACER, PUMP 3CR 100 | |
| 32963 | GASKET, OR PUMP 3CR 100 | |
| 32964 | PUMP PLUG 3CR 100 | |
| 32965 | PUMP COVER CR 100 | |
| 32966 | COUNTERDISC 3CR 100 | |
| 32967 | PUMP NUT 3CR 100 | |

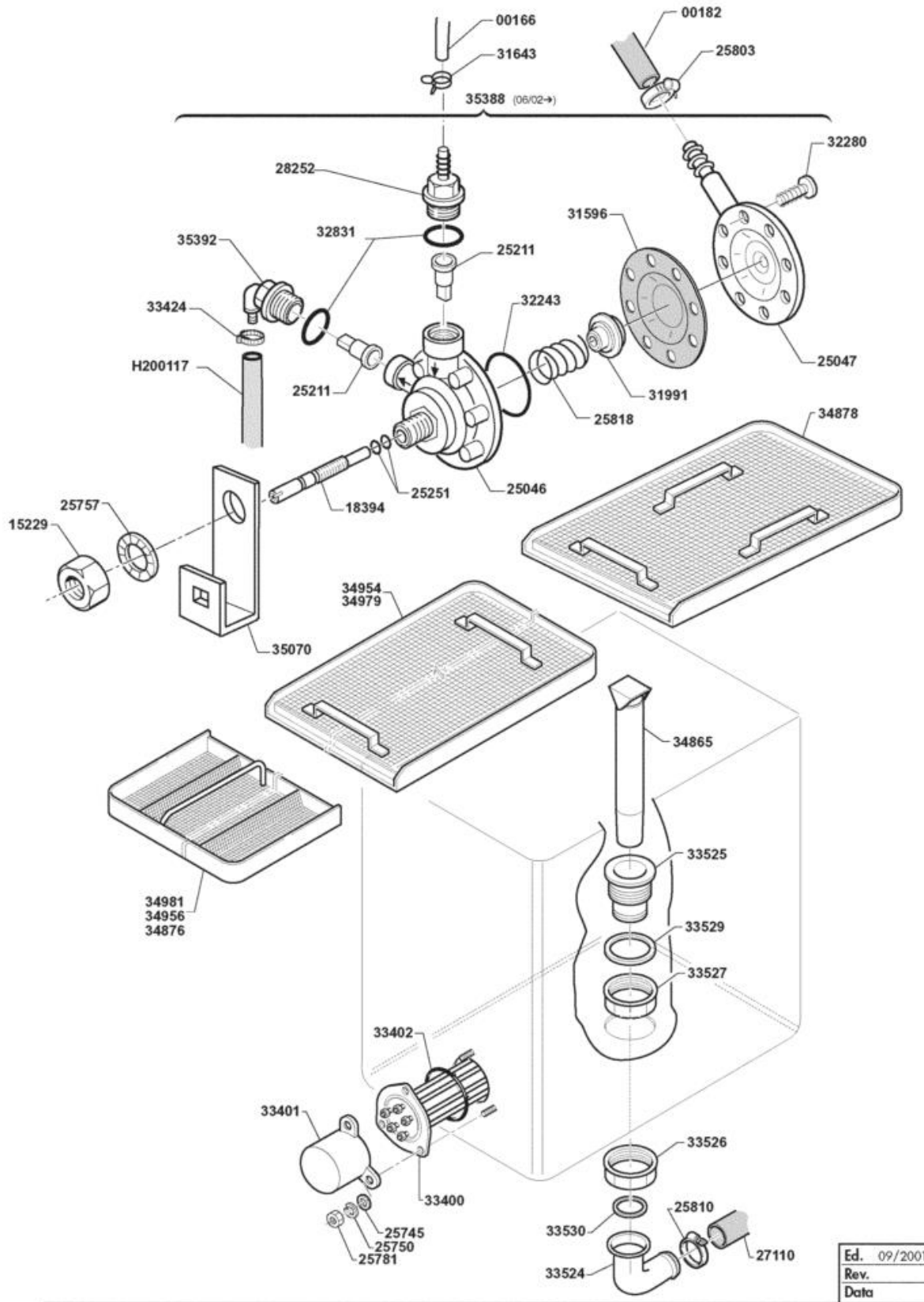


| | |
|------|---------|
| Ed. | 02/2000 |
| Rev. | 0 |
| Data | 08/2/00 |

Drain/filters/rinsaid Pump

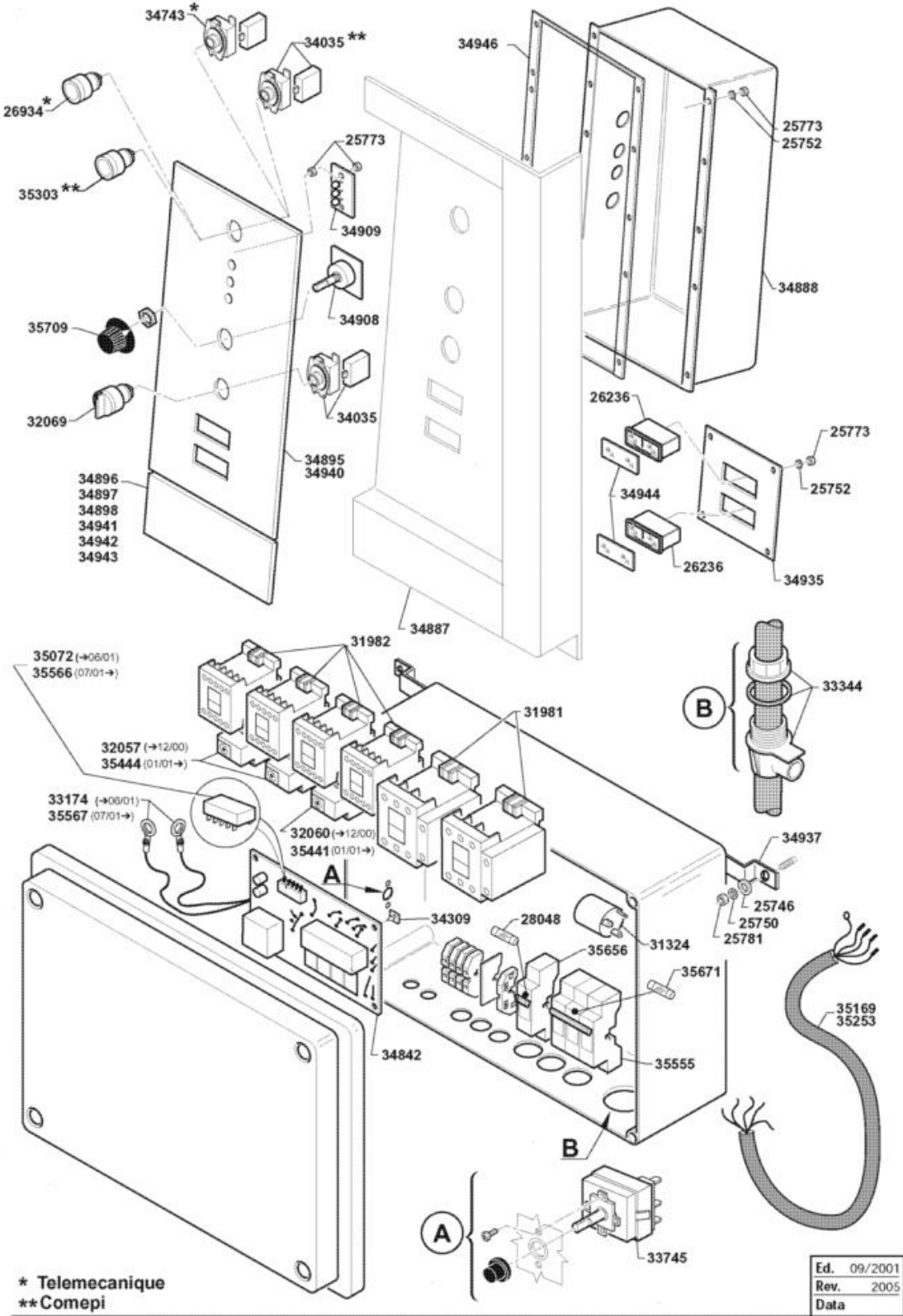
| Code | Description | |
|-------|-------------------------------------|--|
| 00162 | ROLL TUBE 6X4 RILSAN | |
| 00166 | ROLL TUBE TRANSP. 4X7 | |
| 00182 | HOSE 11X19 CASER/15"BLUE" | |
| 15228 | RING FOR RINSING SOLUTION TUBE | |
| 15229 | LOCK NUT AID DISPENSER | |
| 18394 | SCREW CONTROL DISPENSER | |
| 22060 | RINSE AID DISP.PREASS."YELLOW"1? | |
| 25046 | UPPER DISPENSER ASSEMBLY | |
| 25047 | LOWER DISPENSER ASSEMBLY | |
| 25211 | NON RETURN VALVE RINSE AID DISP. | |
| 25251 | GASKET OR 2012 | |
| 25697 | SELF-TAPPING SCREW CHEESE D747H.ROS | |
| 25745 | SPACER, FLAT, DIAM.6 | |
| 25750 | SPACER, SPLITTED, DIAM. 6 | |
| 25757 | TOOTHED SPACER DIAM. 12 D.E.D787 | |
| 25781 | NUTS 6 MA, THREADED/ZINCATED | |
| 25803 | HOSE CLIP 13-20 ABA | |
| 25810 | HOSE CLIP 55-70 | |
| 25818 | CYLINDER SPRING (WIRE) | |
| 27110 | DRAIN HOSE DIAM.33X1500 | |
| 31596 | DIAPHRAGM, DISPENSER | |
| 31643 | HOSE CLIP 7,3-7,8 | |
| 31991 | SPRING GUIDE FOR DISPENSER | |
| 32084 | FITTING KIT, SUCT/DELIV.VLV RINSE A | |
| 32243 | GASKET OR 3156 | |
| 32831 | GASKET OR 2062 | |
| 33400 | HEAT.EL.FL.6000W 220/380V (110349) | |
| 33401 | COVER, HEATING ELEMENT H 50 (HIGH) | |
| 33402 | GASKET OR 6X56X68 | |
| 33524 | ELBOW 1"1/2, DRAIN N-S-F-C | |
| 33525 | DRAIN ELBOW 1"1/2 C85-140 | |
| 33526 | NUT 1"1/2, ELBOW F45-C75 | |
| 33527 | LOCK NUT 1 1/2" POLYPROP. | |
| 33529 | GASKET, NEOP.1 1/2D.65X47X2SP. | |
| 33530 | DRAIN GASKET 1"1/2 45X33X3 | |
| 34865 | OVERFLOW TUBE EDI, H=449 | |
| 34876 | TANK COLLECT. FILTER EDI 13 | |
| 34878 | TANK FILTER, EDI 13 | |
| 34954 | TANK FILTER, EDI 8 | |
| 34956 | TANK COLLECT.FILTER, EDI 8 | |
| 34979 | TANK FILTER, EDI 6 | |
| 34981 | TANK COLLECT.FILTER, EDI 6 | |

Drain/filters/rinsaid Pump



Drain/filters/rinsaid Pump

| Code | Description | |
|--------|------------------------------------|--|
| 00166 | ROLL TUBE TRANSP. 4X7 | |
| 00182 | HOSE 11X19 CASER/15"BLUE" | |
| 15229 | LOCK NUT AID DISPENSER | |
| 18394 | SCREW CONTROL DISPENSER | |
| 200117 | TUBO GOMMA 8x15 CALORFORM/10 | |
| 25046 | UPPER DISPENSER ASSEMBLY | |
| 25047 | LOWER DISPENSER ASSEMBLY | |
| 25211 | NON RETURN VALVE RINSE AID DISP. | |
| 25251 | GASKET OR 2012 | |
| 25745 | SPACER, FLAT, DIAM.6 | |
| 25750 | SPACER, SPLITTED, DIAM. 6 | |
| 25757 | TOOTHED SPACER DIAM. 12 D.E.D787 | |
| 25781 | NUTS 6 MA, THREADED/ZINCATED | |
| 25803 | HOSE CLIP 13-20 ABA | |
| 25810 | HOSE CLIP 55-70 | |
| 25818 | CYLINDER SPRING (WIRE) | |
| 27110 | DRAIN HOSE DIAM.33X1500 | |
| 28252 | FITTING SUCTION DISPENSER | |
| 31596 | DIAPHRAGM, DISPENSER | |
| 31643 | HOSE CLIP 7,3-7,8 | |
| 31991 | SPRING GUIDE FOR DISPENSER | |
| 32243 | GASKET OR 3156 | |
| 32280 | OVAL HD. CROSS-SL. SCREW 4 X 13 | |
| 32831 | GASKET OR 2062 | |
| 33400 | HEAT.EL.FL.6000W 220/380V (110349) | |
| 33401 | COVER, HEATING ELEMENT H 50 (HIGH) | |
| 33402 | GASKET OR 6X56X68 | |
| 33424 | FE-ZN CLAMP 11-17 H=9 | |
| 33524 | ELBOW 1"1/2, DRAIN N-S-F-C | |
| 33525 | DRAIN ELBOW 1"1/2 C85-140 | |
| 33526 | NUT 1"1/2, ELBOW F45-C75 | |
| 33527 | LOCK NUT 1 1/2" POLYPROP. | |
| 33529 | GASKET, NEOP.1 1/2D.65X47X2SP. | |
| 33530 | DRAIN GASKET 1"1/2 45X33X3 | |
| 34865 | OVERFLOW TUBE EDI, H=449 | |
| 34876 | TANK COLLECT. FILTER EDI 13 | |
| 34878 | TANK FILTER, EDI 13 | |
| 34954 | TANK FILTER, EDI 8 | |
| 34956 | TANK COLLECT.FILTER, EDI 8 | |
| 34979 | TANK FILTER, EDI 6 | |
| 34981 | TANK COLLECT.FILTER, EDI 6 | |
| 35070 | BRACKET, RINSE AID DISPENSER EDI | |
| 35388 | RINSE AID DISP."YELLOW" C/STS | |
| 35392 | 90° VALVE FITTING, RINSE AID H/C | |

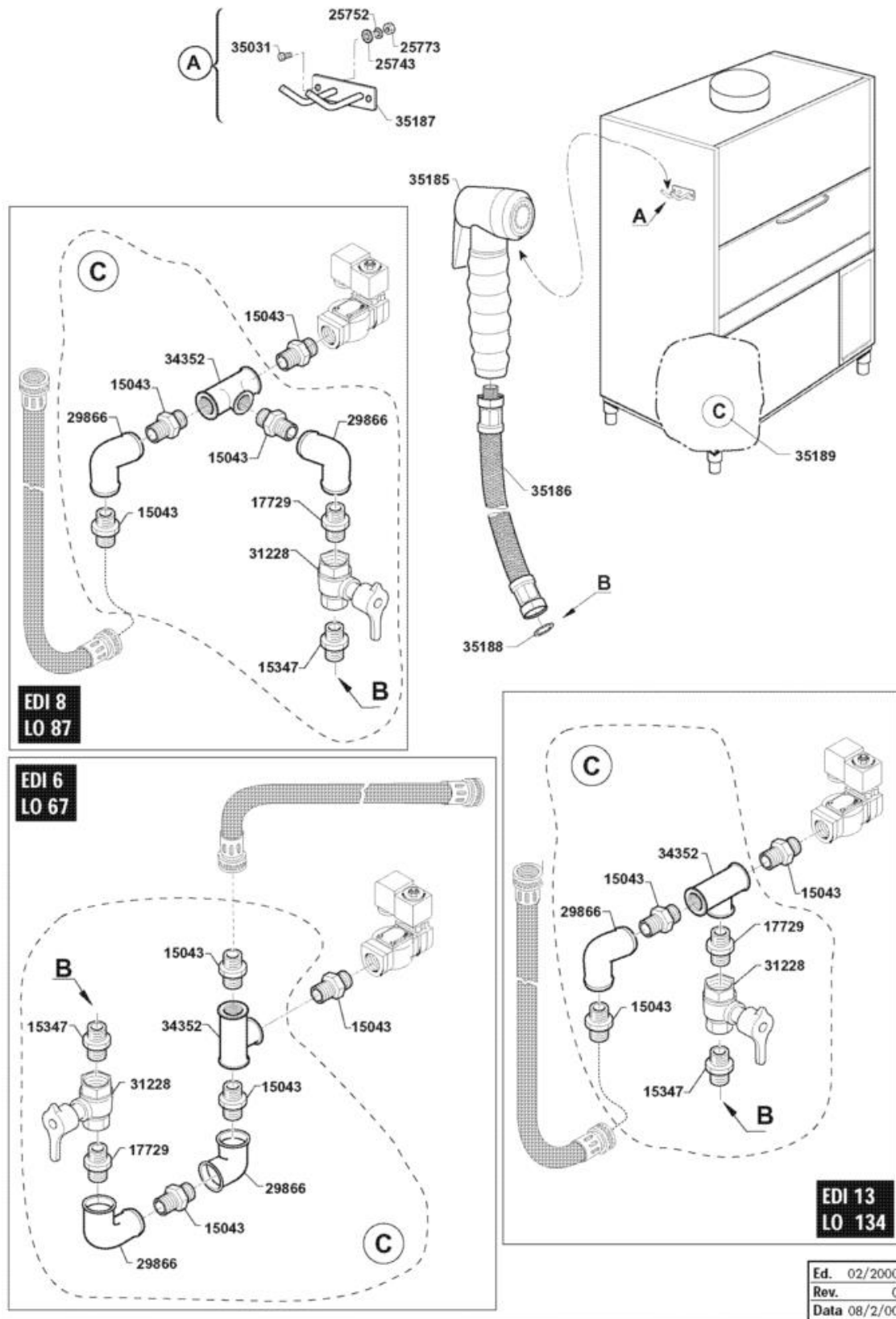


Electrical Components

| Code | Description | |
|-------|-------------------------------------|--|
| 25746 | SPACER, FLAT, DIAM.6/18 | |
| 25750 | SPACER, SPLITTED, DIAM. 6 | |
| 25752 | TOOTHED SPACER DIAM.4 D.E. | |
| 25773 | NUTS 4 MA SS 18/8 | |
| 25781 | NUTS 6 MA, THREADED/ZINCATED | |
| 26236 | THERMOMETRE MT 2 | |
| 26934 | PUSH-BUTTON TOP "YELLOW" | |
| 28048 | FUSE 10 X 38 6 A | |
| 31324 | NOISE FILTER, TYPE 5001 | |
| 31981 | CONTACTOR CN 18 - 220V 50HZ | |
| 31982 | CONTACTOR CN9 - 220V 50 HZ | |
| 32057 | THERMAL RELAY RF25 4-6 A RHN10 | |
| 32060 | THERMAL RELAY 1,4-2,3 A. | |
| 32069 | LIGHTLESS SELECTOR 0/1 | |
| 33174 | PROBE TEMPERATURE APS/STS | |
| 33344 | CABLE CLIP 5030 STEAB | |
| 33745 | LIMITER 110? MANUAL RESET | |
| 34035 | CONTACT ELEM. + BASE ECX 1031 | |
| 34309 | FEET PCBHOLDER | |
| 34743 | ELEMENT NO + BASE TELEM. | |
| 34842 | PRINT.CIRC.BOARD DWEDI 13/8/6 | |
| 34887 | FRONT CONTROL PANEL, EDI | |
| 34888 | CONTROL P. PROTECT. CAP | |
| 34895 | CTRL PANEL NAMEPLATE, SERIES EDI | |
| 34896 | NAMEPLATE, MOD. EDI 13 | |
| 34897 | NAMEPLATE, MOD. EDI 8 | |
| 34898 | NAMEPLATE, MOD. EDI 6 | |
| 34908 | POTENTIOMETRE CYCLE SELECTOR | |
| 34909 | PRINT. CIRCUIT BOARD, LED LIGHT, ED | |
| 34935 | THERMOMETER FIX.PLATE, EDI | |
| 34937 | POWER BOX FIXING CROSSBAR | |
| 34940 | CTRL PANEL NAMEPLATE LO (BLUE) | |
| 34941 | NAMEPLATE, MOD. LO 134 | |
| 34942 | NAMEPLATE, MOD. LO 83 | |
| 34943 | NAMEPLATE, MOD. LO 67 | |
| 34944 | SPACER FOR CLEAR THERMOMOTER | |
| 34946 | GASKET, CTRL P.PROT.CAP, EDI | |
| 35072 | MICROSW. DWED6/8/13V.1.06.27062000 | |
| 35169 | P.SUPPL.WIRE 5x6x5000 TP.H07RN-F | |
| 35253 | SUPPLY WIRE 4x6x5000 230V/3 | |
| 35303 | LIGHTED PUSHBUTT.,YELLOW ECX 1203 | |
| 35441 | THERMAL RELAY ABB TA 25 DU 2,4 | |
| 35444 | THERMAL RELAY ABB TA 25 DU 6,5 | |
| 35555 | DISCONNECTING SWITCH TRIPOL 14-51 | |
| 35566 | MICROP.DWEDI6/8/13 1.08-03.10.02 | |

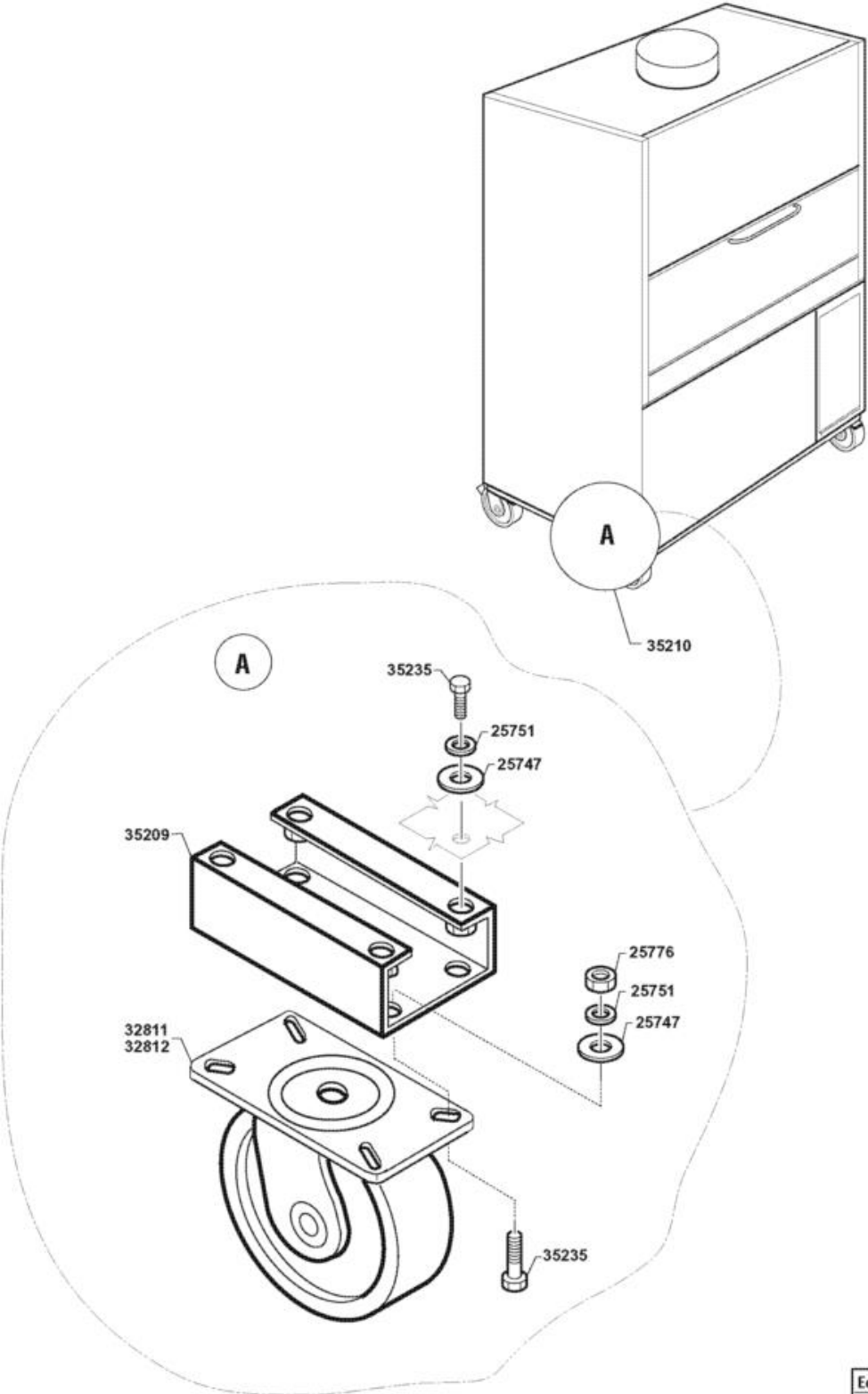
Electrical Components

| Code | Description | |
|-------|-----------------------------------|--|
| 35567 | PROBE TEMP. NTC 3.3K YELLOW | |
| 35656 | DISCONNECTING SWITCH UNIPOL 10-38 | |
| 35671 | FUSE 14 X 51 32 A | |
| 35709 | KNOB, POTENTIOMETRE | |



Shower Optional

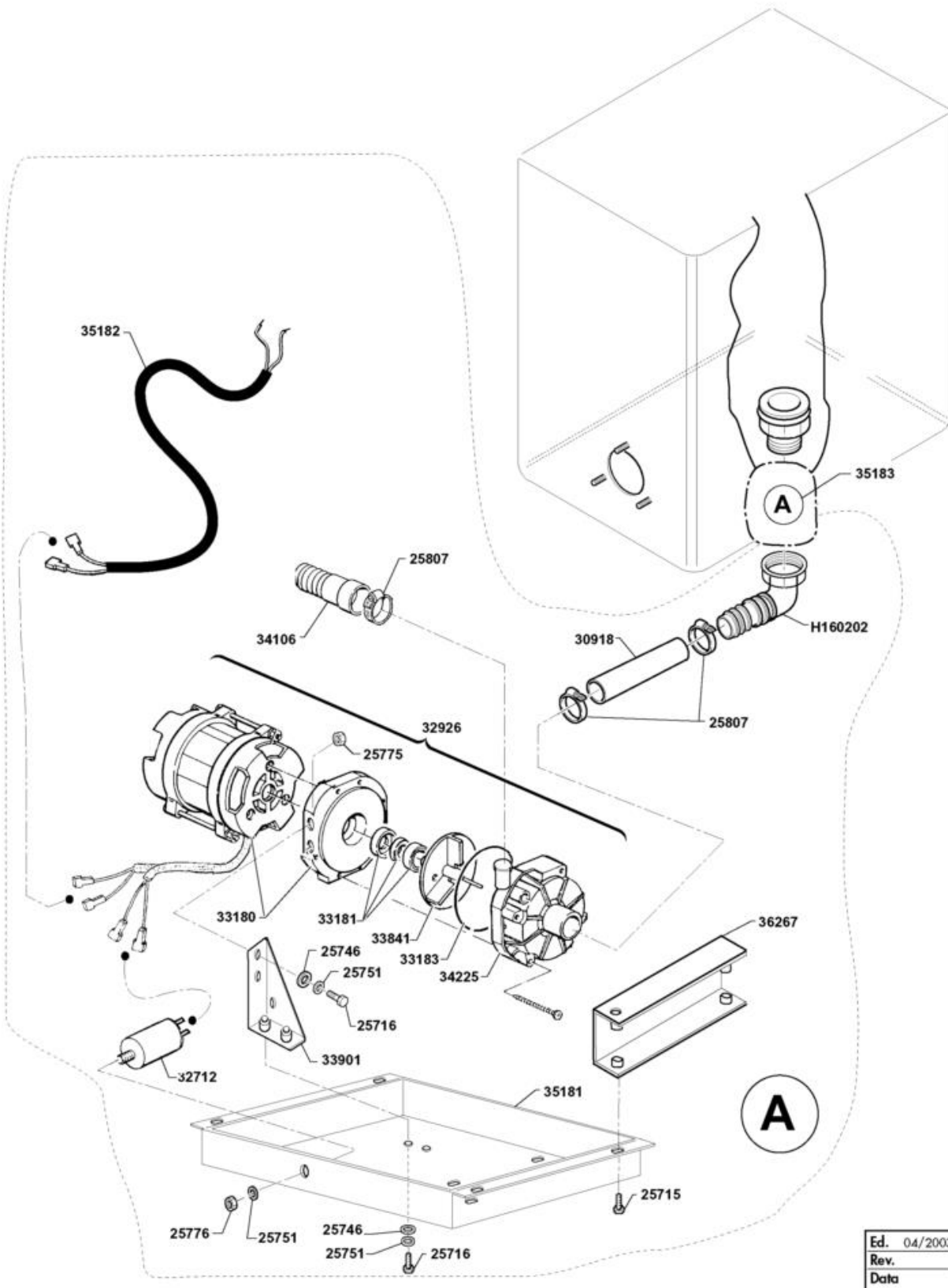
| Code | Description | |
|-------|-----------------------------------|--|
| 15043 | BRASS NIPPLES 3/4 M/M | |
| 15347 | NIPPLE 1/2" M/M | |
| 17729 | ADAPTER 3/4"-1/2" | |
| 25743 | SPACER, FLAT, DIAM. 4 | |
| 25752 | TOOTHED SPACER DIAM.4 D.E. | |
| 25773 | NUTS 4 MA SS 18/8 | |
| 29866 | ELBOW FEMALE/FEM 3/4" | |
| 31228 | BALL COCK 1/2", EMBEDDED | |
| 34352 | T-SHAPED PIPE UNION, BRASS, 3/4" | |
| 35031 | BEVEL, CROSS-SL.HD SCREW M 4 X 12 | |
| 35185 | KLARCO SHOWER ECO/R +LOG WASHER | |
| 35186 | FLEXIB.PIPE FOR SHOWER 2100x15 | |
| 35187 | DOUCHE HOLDER | |
| 35188 | FLAT GASKET 19x11,5x2 | |
| 35189 | SHOWER KIT, EDI 6/8/13 | |



| | |
|------|---------|
| Ed. | 02/2000 |
| Rev. | 0 |
| Data | 08/2/00 |

Wheels Optional

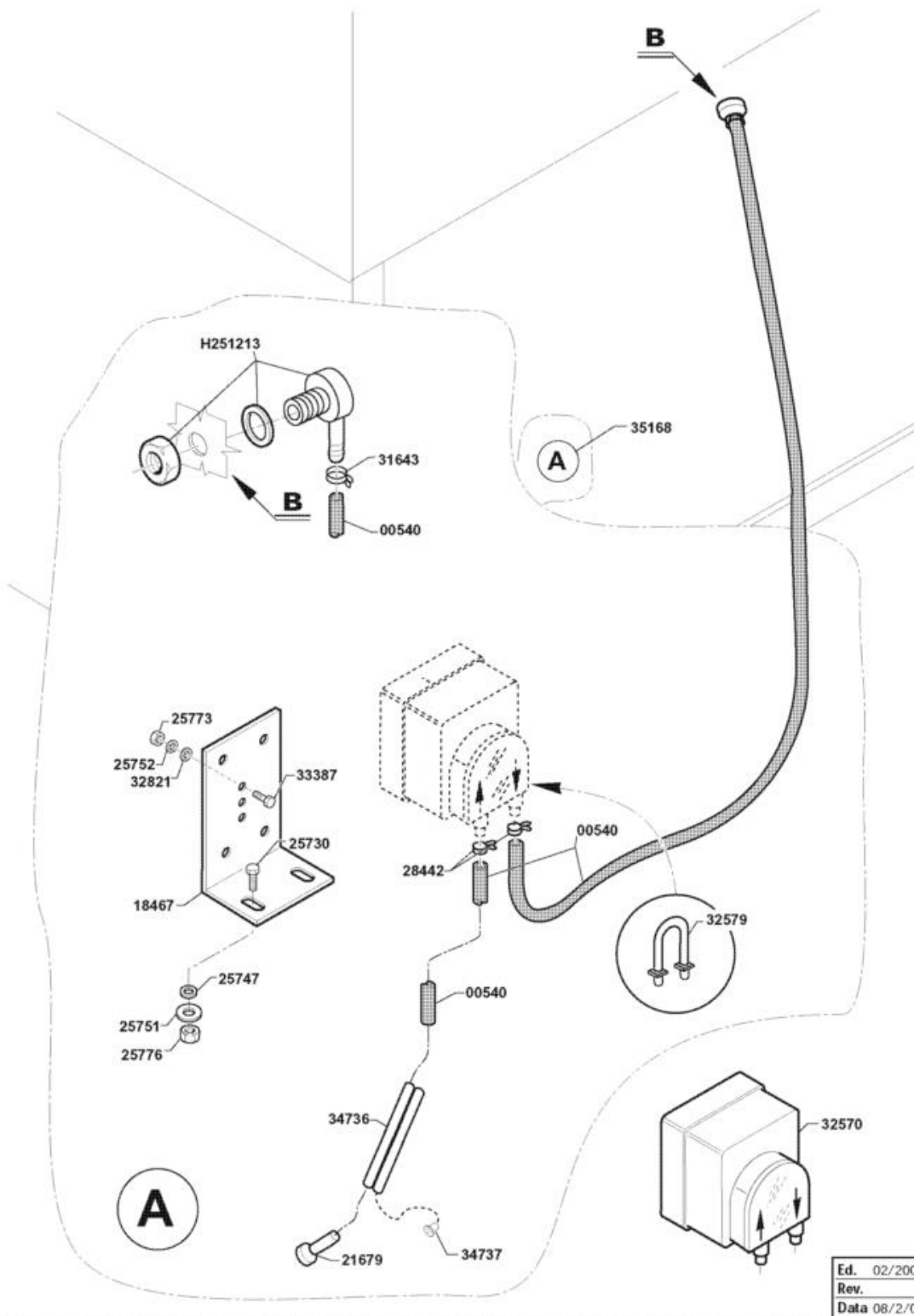
| Code | Description | |
|-------|----------------------------------|--|
| 25747 | SPACER, FLAT, DIAM. 8 | |
| 25751 | SPACER. SPLITTED, DIAM. 8 | |
| 25776 | NUTS 8 MA SS 18/8 | |
| 32811 | WHEEL 0 125 WITH BRAKE | |
| 32812 | WHEEL 0 125, NO BRAKE | |
| 35209 | HOLDER PLATE FOR WHEEL, EDI | |
| 35210 | ACCESS.KIT, WHEEL MOUNT. EDI/C90 | |
| 35235 | HEX.HD SCREW M 8 X 15 | |



| | |
|------|---------|
| Ed. | 04/2003 |
| Rev. | |
| Data | |

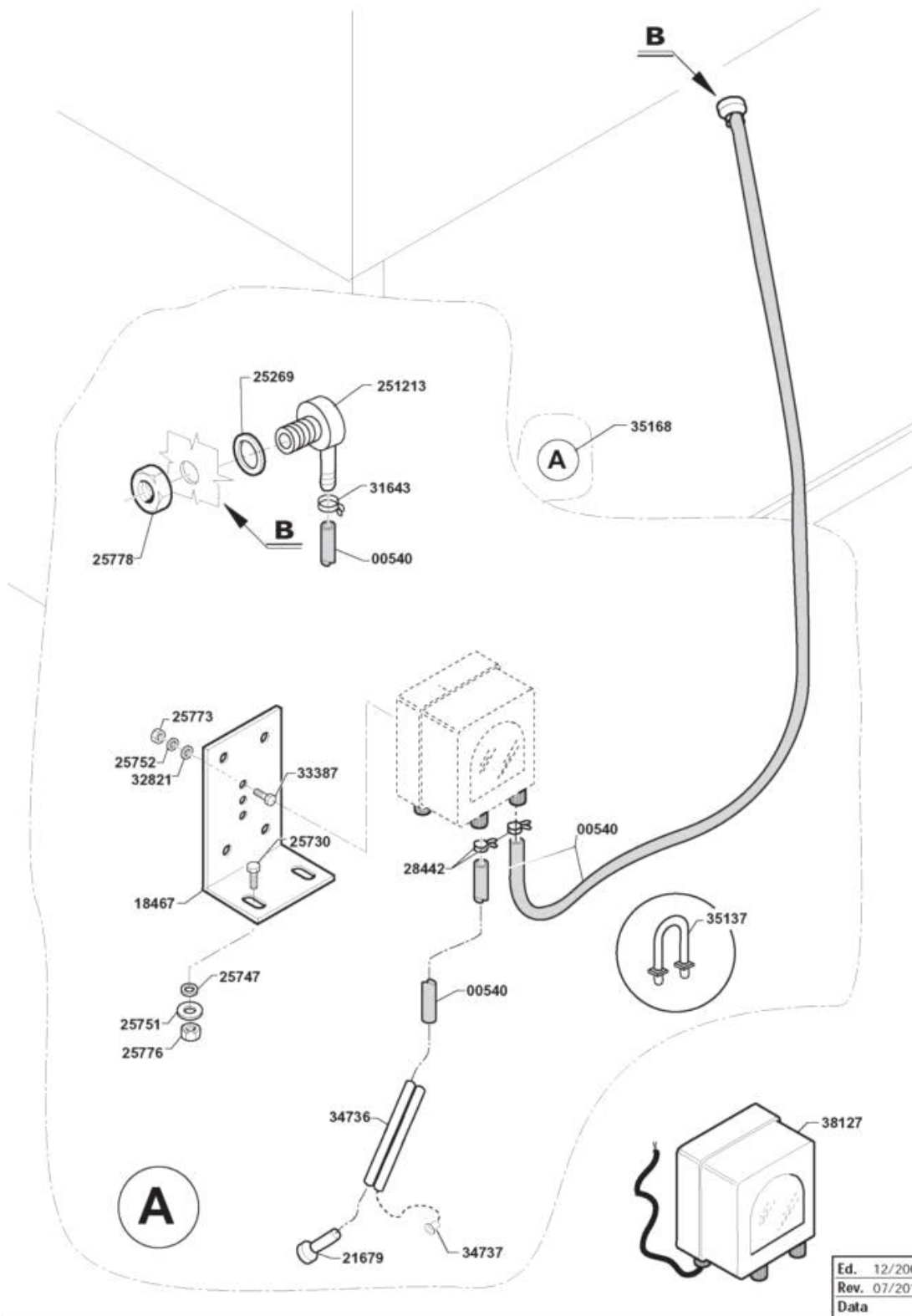
Drain Pump Optional

| Code | Description | |
|--------|-------------------------------------|--|
| 160202 | COD.CURVO 2 PRESE PIL.107868 | |
| 25715 | SCREW HEX.HD M 6 X 16 SS | |
| 25716 | SCREW HEX.HD M 6 X 20 SS | |
| 25746 | SPACER, FLAT, DIAM.6/18 | |
| 25751 | SPACER. SPLITTED, DIAM. 8 | |
| 25775 | NUT 6 MA | |
| 25776 | NUTS 8 MA SS 18/8 | |
| 25807 | HOSE CLIP 26-38 ABA | |
| 30918 | SLEEVE SUCTION DRAIN PUMP | |
| 32712 | CAPACITOR UF 6,3-450 V CPL. | |
| 32926 | DRAIN WASH PUMP HP0,15 50/60 HZ | |
| 33180 | PUMP BODY (32926) LGB | |
| 33181 | SHAFT SEAL C3 (LGB)FOR PUMP CODE 32 | |
| 33183 | GASKET OR 75,87X2,62 LGB | |
| 33841 | IMPELLER DIAM.73, 3-BLADE, M7SX | |
| 33901 | PUMP PLATE, STS 43 | |
| 34106 | DRAIN TUBE DR. D.20X1500 | |
| 34225 | PUMP COVER 2212303/HO | |
| 35181 | HOLDER PLATE, DRAIN PUMP EDI | |
| 35182 | CABLE LOOM, DRAIN PUMP EDI | |
| 35183 | KIT, DRAIN PUMP, EDI 6/8/13 | |
| 36267 | SUPP.PLATE, DRAIN PUMP | |



Detergent Pump Optional

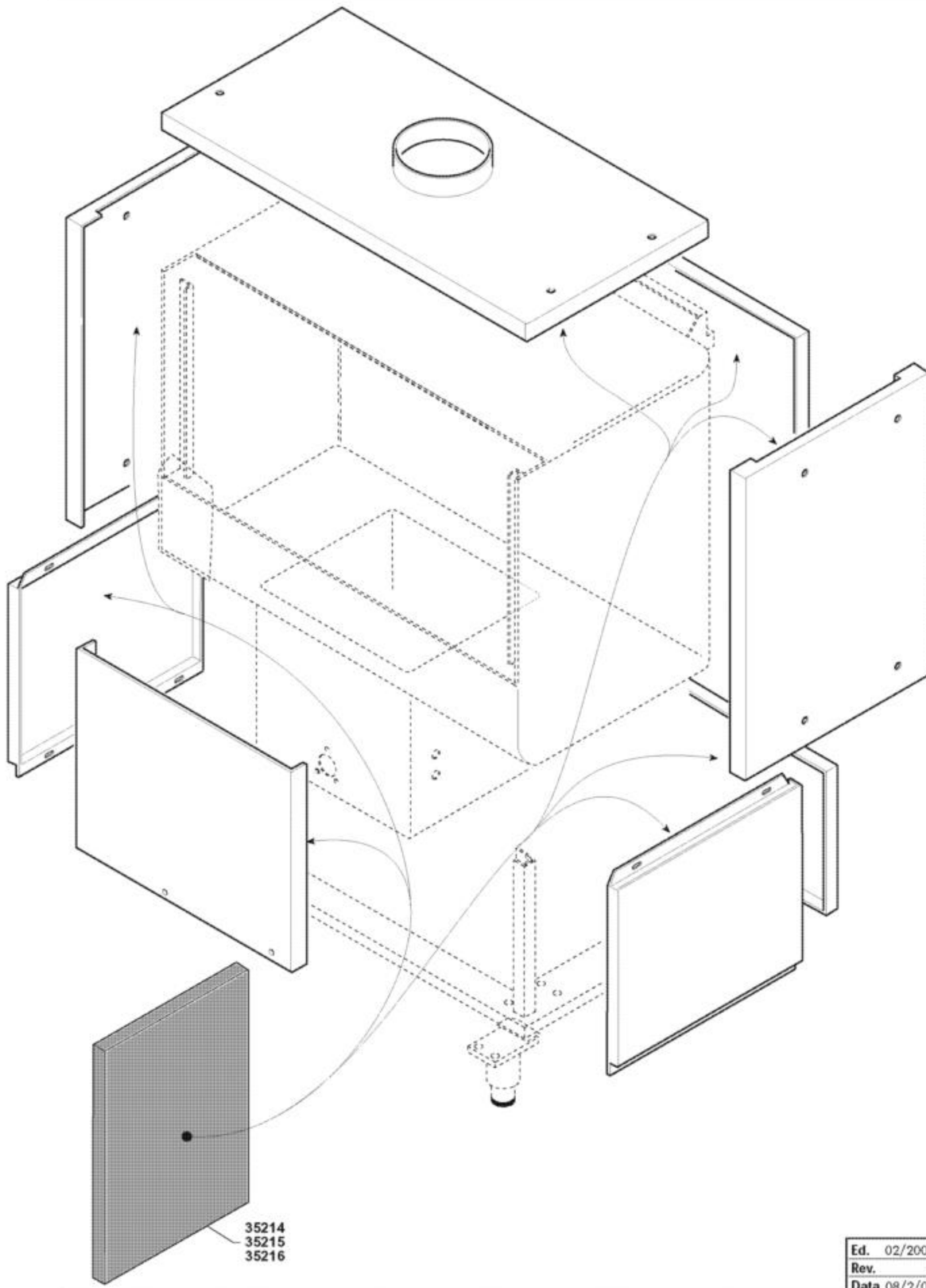
| Code | Description | |
|--------|------------------------------------|--|
| 00540 | RED TUBE 8X4 ROLL | |
| 18467 | HOLDING SUPP. PUMP DISPENS. | |
| 21679 | FILTER DET.-RINSE AID PREASS. | |
| 251213 | PORTAG.A GOMITO INOX POMPA DET | |
| 25730 | SCREW HEX.HD M 8 X 25 | |
| 25747 | SPACER, FLAT, DIAM. 8 | |
| 25751 | SPACER. SPLITTED, DIAM. 8 | |
| 25752 | TOOTHED SPACER DIAM.4 D.E. | |
| 25773 | NUTS 4 MA SS 18/8 | |
| 25776 | NUTS 8 MA SS 18/8 | |
| 28442 | WIRE CLIP | |
| 31643 | HOSE CLIP 7,3-7,8 | |
| 32570 | DETERG. DISPENS WALL MOUNT. LP 120 | |
| 32579 | INNER TUBE FOR DETERGENT P. 32570 | |
| 32821 | FLAT WASHER DIAM 5,5/15 | |
| 33387 | HEX.HD SCREW 4X16 SS A2 UNI 5739 | |
| 34736 | COUNTERWEIGHT, DETERGENT HOSE | |
| 34737 | HOSE STOPPER FITTING | |
| 35168 | ACCESSOR.KIT, DETERG.PUMP, EDI | |



Detergent Pump Optional 2009 cod. 38127

| Code | Description | |
|--------|----------------------------------|--|
| 00540 | RED TUBE 8X4 ROLL | |
| 18467 | HOLDING SUPP. PUMP DISPENS. | |
| 21679 | FILTER DET.-RINSE AID PREASS. | |
| 251213 | PORTAG.A GOMITO INOX POMPA DET | |
| 25269 | FLAT GASKET | |
| 25730 | SCREW HEX.HD M 8 X 25 | |
| 25747 | SPACER, FLAT, DIAM. 8 | |
| 25751 | SPACER. SPLITTED, DIAM. 8 | |
| 25752 | TOOTHED SPACER DIAM.4 D.E. | |
| 25773 | NUTS 4 MA SS 18/8 | |
| 25776 | NUTS 8 MA SS 18/8 | |
| 25778 | NUTS 12 M 18/8 ss | |
| 28442 | WIRE CLIP | |
| 31643 | HOSE CLIP 7,3-7,8 | |
| 32821 | FLAT WASHER DIAM 5,5/15 | |
| 33387 | HEX.HD SCREW 4X16 SS A2 UNI 5739 | |
| 34736 | COUNTERWEIGHT, DETERGENT HOSE | |
| 34737 | HOSE STOPPER FITTING | |
| 35137 | PUMP HOSE DET.SEKO PG3 | |
| 35168 | ACCESSOR.KIT, DETERG.PUMP, EDI | |
| 38127 | POMPA PERISTALTICA SEKO PR 7 | |

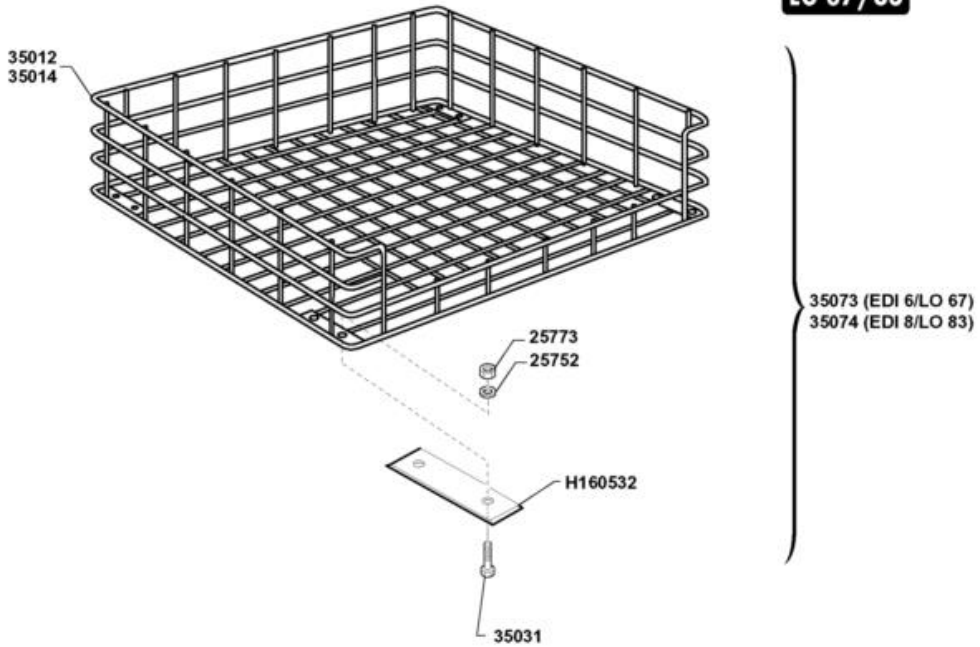
Panels For Acoustic And Thermic Isolation Optional



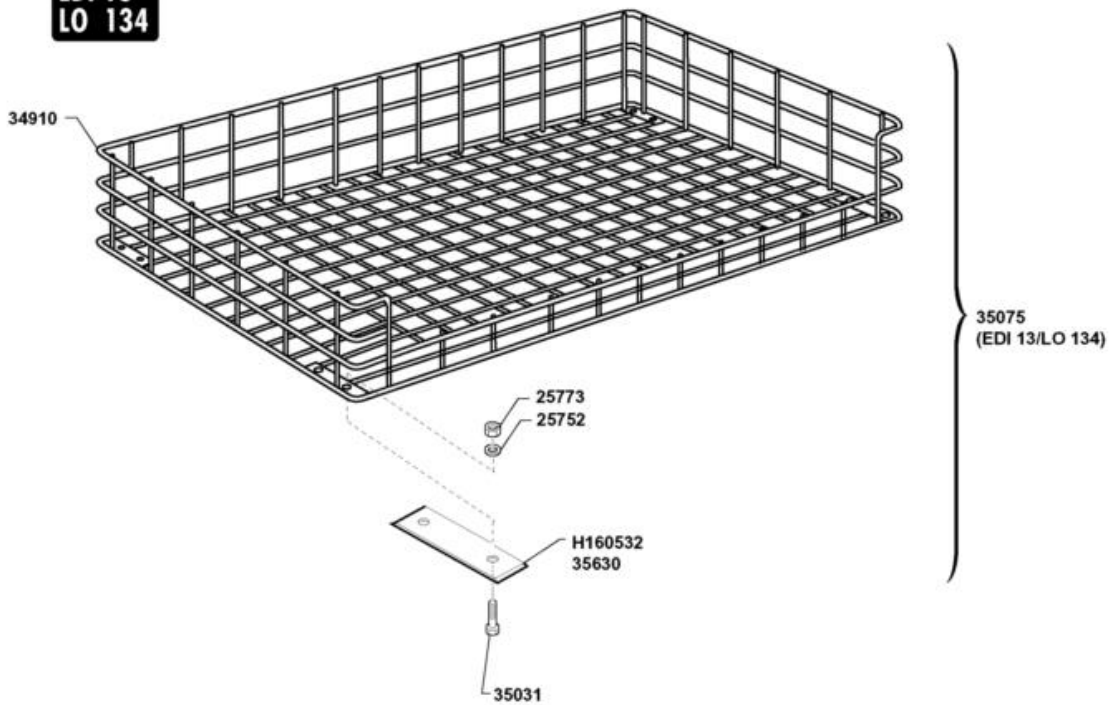
**Panels For Acoustic And Thermic Isolation
Optional**

| Code | Description | |
|-------|----------------------------|--|
| 35214 | MACHINE INSULATION, EDI 6 | |
| 35215 | MACHINE INSULATION, EDI 8 | |
| 35216 | MACHINE INSULATION, EDI 13 | |

EDI 6/8
LO 67/83



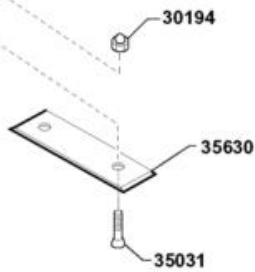
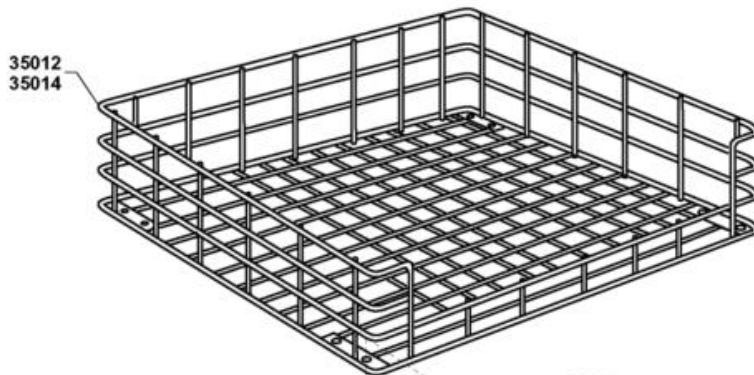
EDI 13
LO 134



| | |
|------|---------|
| Ed. | 09/2001 |
| Rev. | |
| Data | |

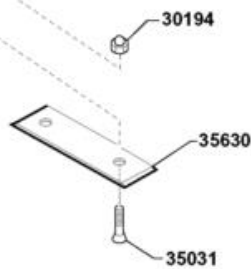
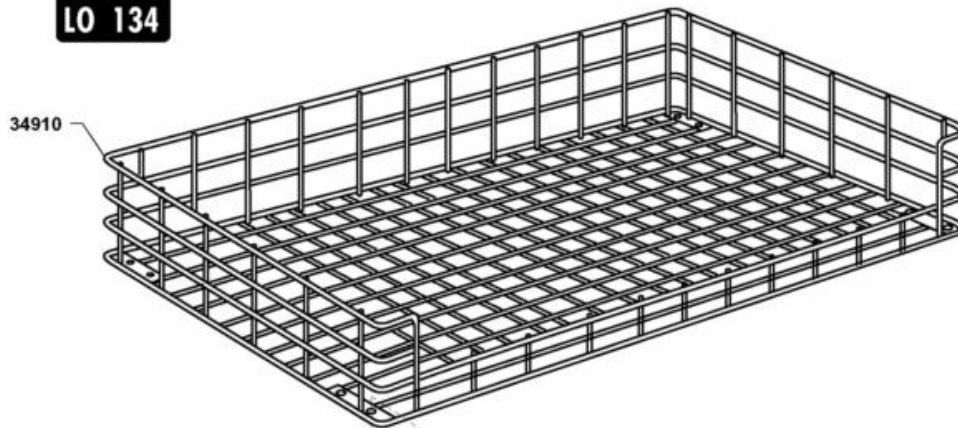
| Code | Description | |
|-------|-----------------------------------|--|
| 25752 | TOOTHED SPACER DIAM.4 D.E. | |
| 25773 | NUTS 4 MA SS 18/8 | |
| 34910 | NET BASKET, EDI 13 | |
| 35012 | NET BASKET EDI 6 | |
| 35014 | NET BASKET EDI 8 | |
| 35031 | BEVEL, CROSS-SL.HD SCREW M 4 X 12 | |
| 35073 | NET BASKET EDI 6 | |
| 35074 | NET BASKET EDI 8 | |
| 35075 | NET BASKET EDI 13 | |
| 35630 | BASKET PAS, SERIES EDI | |

**EDI 6/8
LO 67/83**



35073 (EDI 6/LO 67)
35074 (EDI 8/LO 83)

**EDI 13
LO 134**



35075
(EDI 13/LO 134)

| | |
|------|---------|
| Ed. | 09/2002 |
| Rev. | |
| Data | |

Racks

| Code | Description | |
|-------|-----------------------------------|--|
| 30194 | SELF-LOCKING NUT 4 MA | |
| 34910 | NET BASKET, EDI 13 | |
| 35012 | NET BASKET EDI 6 | |
| 35014 | NET BASKET EDI 8 | |
| 35031 | BEVEL, CROSS-SL.HD SCREW M 4 X 12 | |
| 35073 | NET BASKET EDI 6 | |
| 35074 | NET BASKET EDI 8 | |
| 35075 | NET BASKET EDI 13 | |
| 35630 | BASKET PAS, SERIES EDI | |