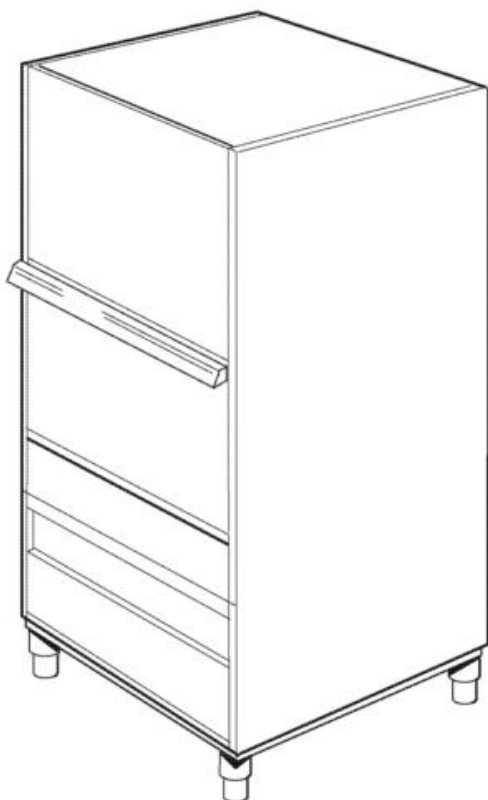


CATALOGO RICAMBI  
SPARE PARTS  
PIECES DETACHEES  
ERSATZTEILE  
LISTA DE RECAMBIOS

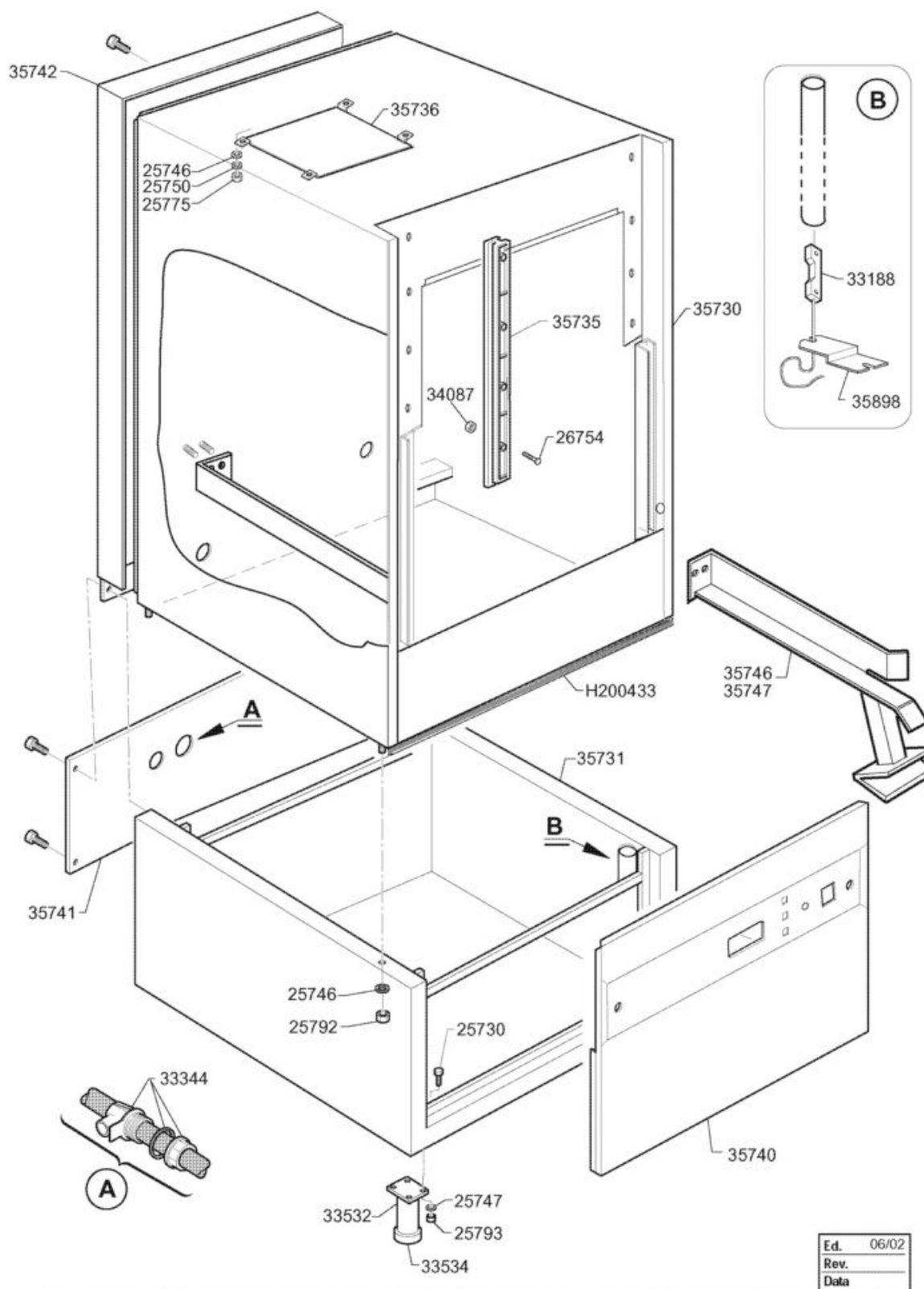


**C 98**

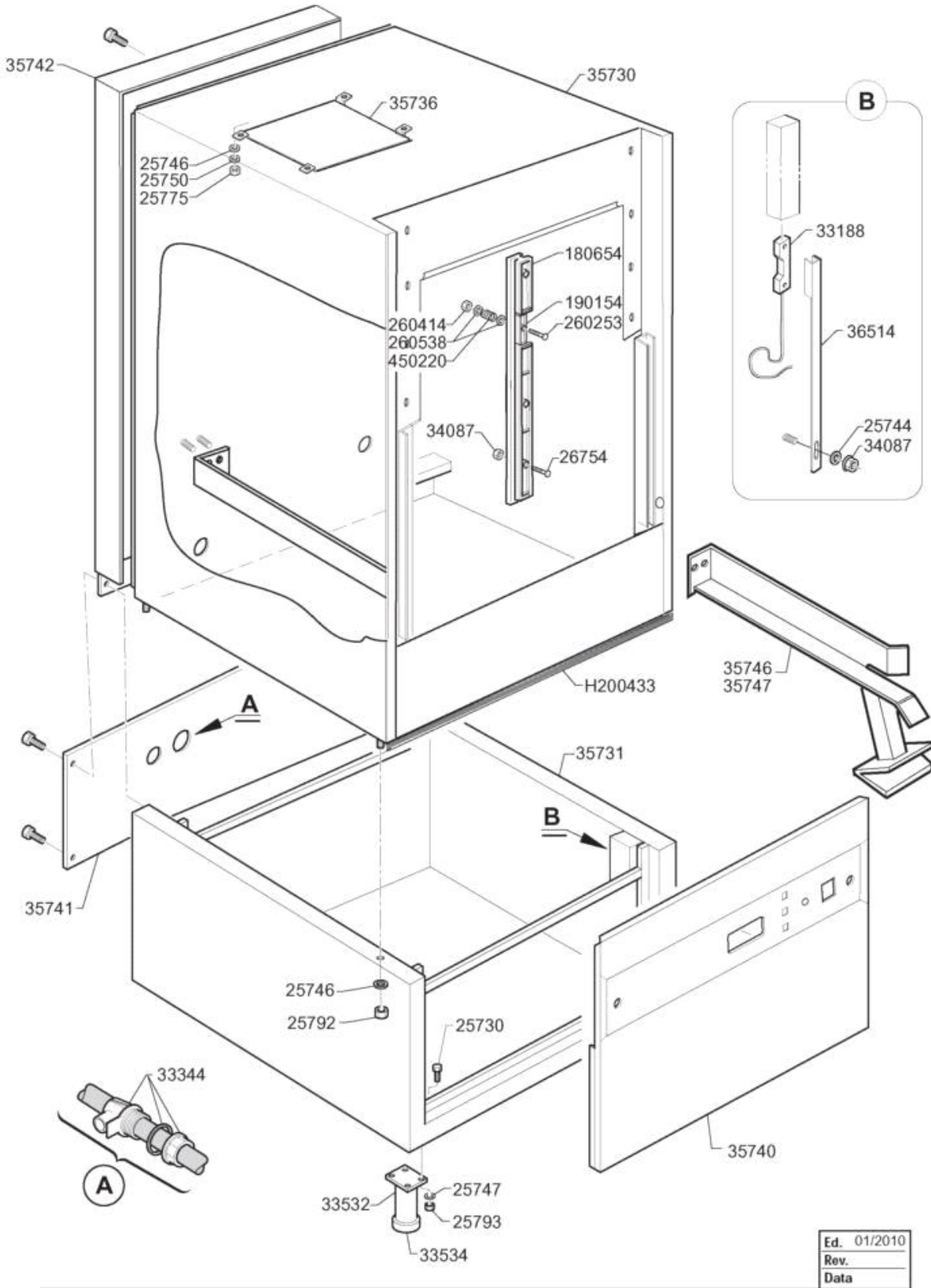
**LO 62**

Ed. 06/2002

- 1 Hood
- 2 Hood 01/04 >>
- 3 Door Component
- 4 Door Component
- 5 Control Box
- 6 Control Box
- 7 Control Box 07/06 >>
- 8 Rinse Assembly
- 9 Tank
- 10 Tank 03/06 >>
- 11 Tank 12/10 >>
- 12 Wash Arm
- 13 Rinse Pump
- 14 Rinse Aid Injector/Tank Filter
- 15 Drain Pump Optional
- 16 Detergent Pump Optional
- 17 Detergent Pump Optional 2009 cod. 38127

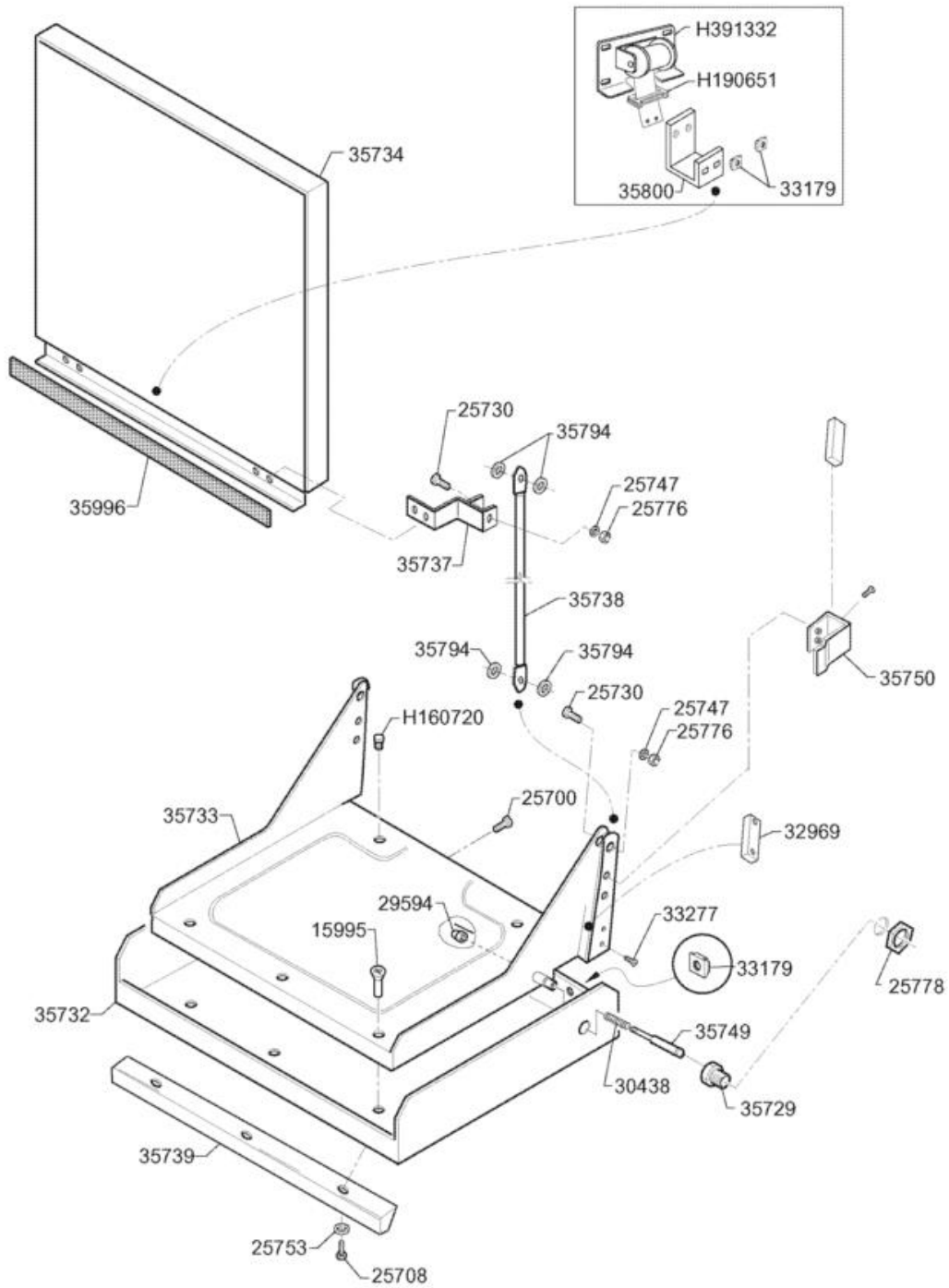


Code	Description	
200433	GOMMA SPUGNA ADES.6x2,5 NEOPR	
25730	SCREW HEX.HD M 8 X 25	
25746	SPACER, FLAT, DIAM.6/18	
25747	SPACER, FLAT, DIAM. 8	
25750	SPACER, SPLITTED, DIAM. 6	
25775	NUT 6 MA	
25792	SELF-LOCKING NUT 6 MA LOWER SIDE	
25793	SELF-LOCKING NUT 8 MA LOWER SIDE	
26754	SCREW 5 X 16	
33188	MAGNETIC SENSOR	
33344	CABLE CLIP 5030 STEAB	
33532	PLASTIC FOOT HOLDER	
33534	FOOT, COMENDA, 30 MM	
34087	FLANGED NUT M5 A2 DIN 6923	
35730	BODY C 98	
35731	BASE STAND C 98	
35735	UPPER DOOR GUIDE C 98	
35736	SPLASH GUARD, VAPOR OUTLET C 98	
35740	CONTROL PANEL C 98	
35741	BASE STAND REAR PANEL C 98	
35742	REAR PANEL C 98	
35746	BASKET GUIDE LEFT C 98	
35747	BASKET GUIDE DROIT C 98	
35898	SUPPORT.PLATE, MAGNETIC SENSOR	



Ed.	01/2010
Rev.	
Data	

Code	Description	
180654	GUIDA C/FRENO PORTE C98/MLB98	
190154	FRENO PER PORTE AC/NE2/NG2/BTM	
200433	GOMMA SPUGNA ADES.6x2,5 NEOPR	
25730	SCREW HEX.HD M 8 X 25	
25744	SPACER, FLAT, DIAM.5	
25746	SPACER, FLAT, DIAM.6/18	
25747	SPACER, FLAT, DIAM. 8	
25750	SPACER, SPLITTED, DIAM. 6	
25775	NUT 6 MA	
25792	SELF-LOCKING NUT 6 MA LOWER SIDE	
25793	SELF-LOCKING NUT 8 MA LOWER SIDE	
260253	VITE T TONDA QUAD.SOTT. M5X35	
260414	DADO AUTOBL."M5"304 BASSO TORN	
260538	RONDELLA STAMP.18X6X1,5 INOX9	
26754	SCREW 5 X 16	
33188	MAGNETIC SENSOR	
33344	CABLE CLIP 5030 STEAB	
33532	PLASTIC FOOT HOLDER	
33534	FOOT, COMENDA, 30 MM	
34087	FLANGED NUT M5 A2 DIN 6923	
35730	BODY C 98	
35731	BASE STAND C 98	
35736	SPLASH GUARD, VAPOR OUTLET C 98	
35740	CONTROL PANEL C 98	
35741	BASE STAND REAR PANEL C 98	
35742	REAR PANEL C 98	
35746	BASKET GUIDE LEFT C 98	
35747	BASKET GUIDE DROIT C 98	
36514	SUPPORT PLATE MAGN. SENSOR C98	
450220	MOLLA SCROCCHETTO BR/BC	

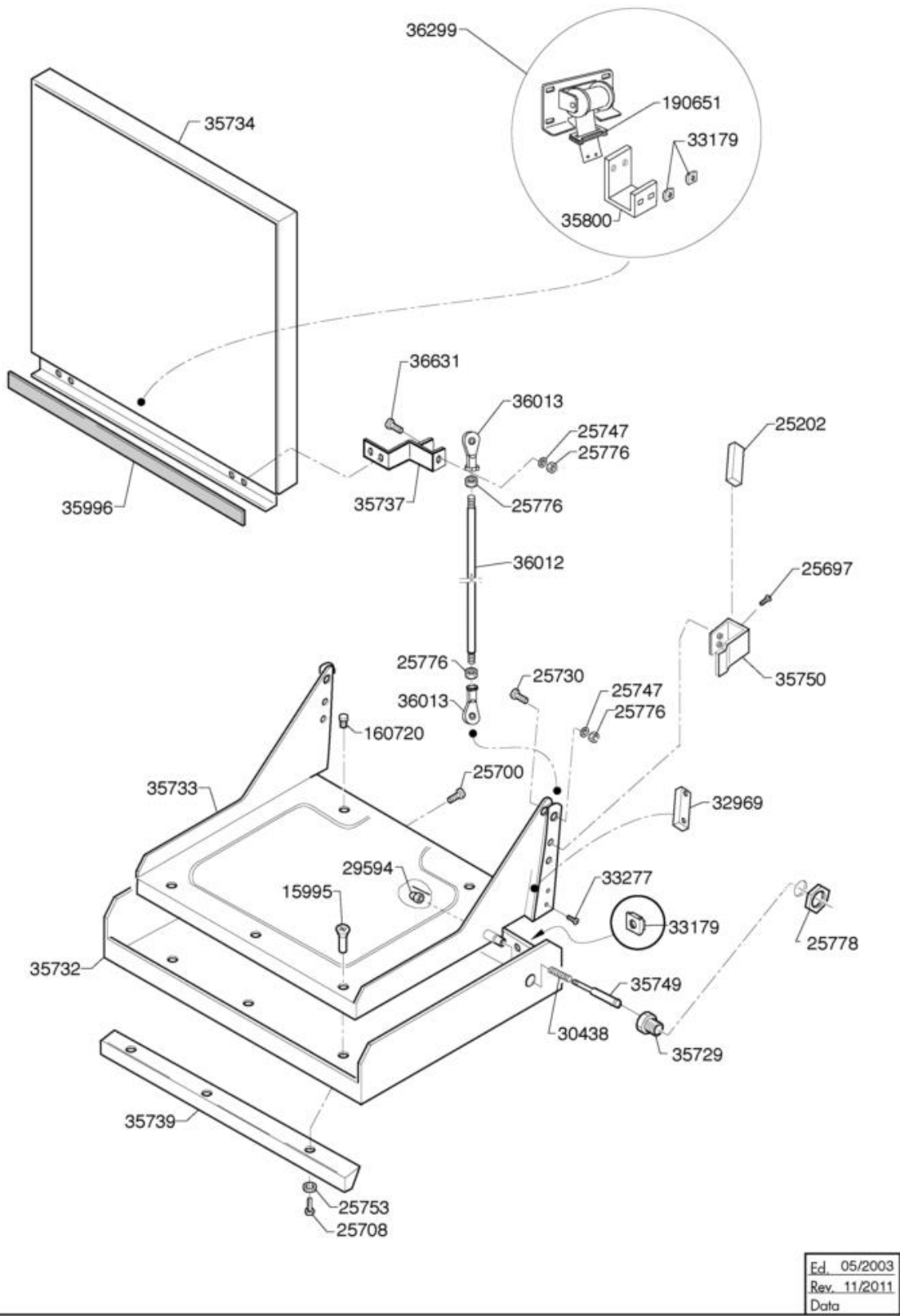


Ed.	06/02
Rev.	
Data	

## Door Component

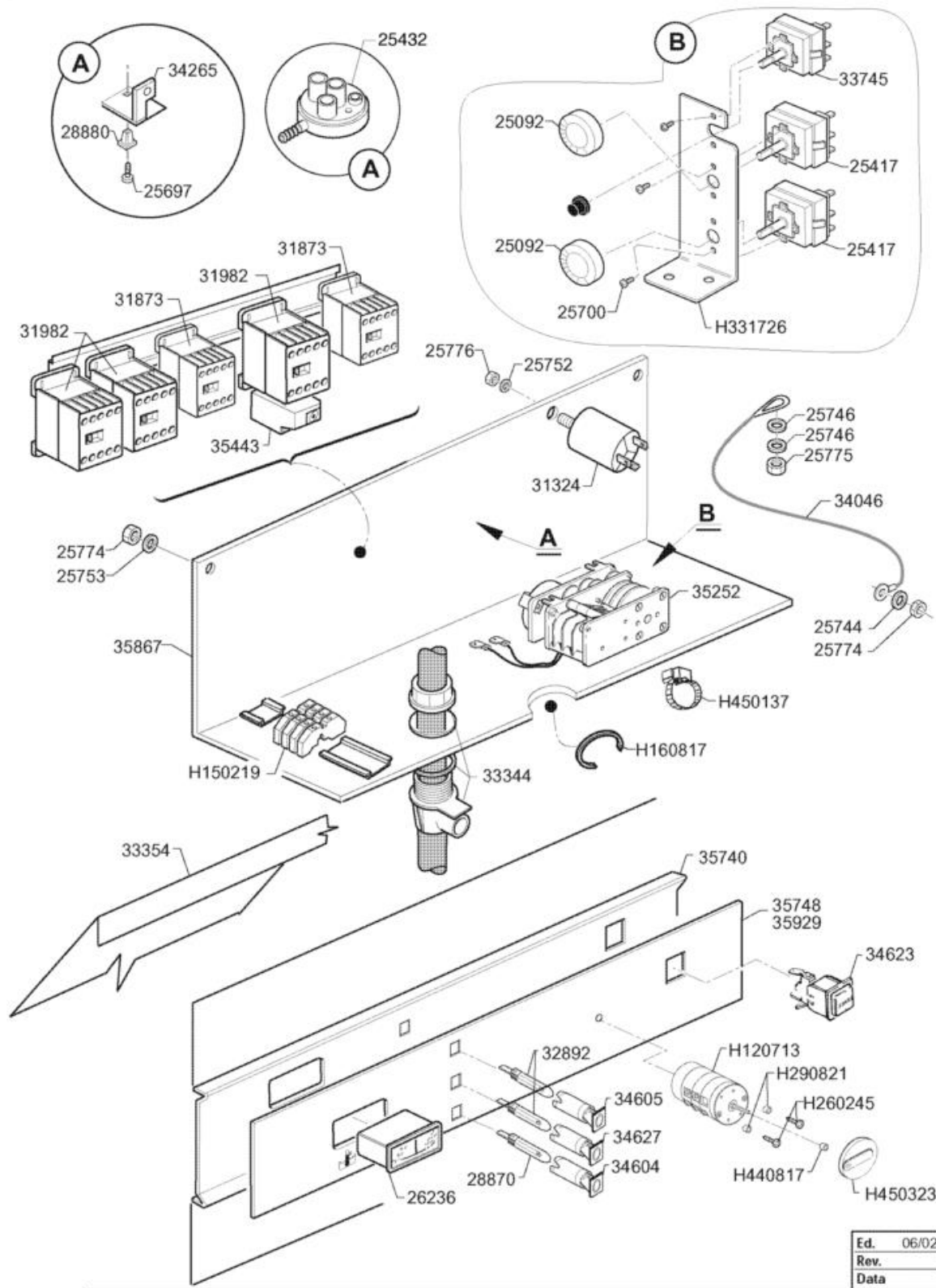
Code	Description	
15995	BUSH SPRING FIX. HANDLE STS	
160720	TAPPO A SCATTO HEYCO D.8	
25700	SCREW CHEESE-H. 4 X 8 KNURLED	
25708	SCREW HEX.HD M 5 X 10 SS	
25730	SCREW HEX.HD M 8 X 25	
25747	SPACER, FLAT, DIAM. 8	
25753	TOOTHED SPACER.DIAM.5 D.E.	
25776	NUTS 8 MA SS 18/8	
25778	NUTS 12 M 18/8 ss	
29594	NUT BLIND 4 MA	
30438	SPRING FOR PIN AND DOOR	
32969	MAGNET FOR CONTACT M350 AP	
33179	ENCLOSED NUT 4MA	
33277	SELF-TAPPING SCREW TSP 2,9 X 9,5	
35729	BODY BUSH C 98	
35732	LOWER DOOR HOUSING, C 98	
35733	LOWER DOOR INNER PANEL, C 98	
35734	UPPER DOOR C 98	
35737	UPPER DOOR LIFT. FLANGE C 98	
35738	UPPER DOOR LIFT. ROD C 98	
35739	DOOR HANDLE C 98	
35749	DOOR MOBILE ROD C 98	
35750	SUPPORT, RUBBER SHOCK-ABS.	
35794	SPACER RING, LIFT. ROD C 98	
35800	BRACKET, DOOR SPRING FIX. C98	
35996	SELF-STICKING GASKET 15X5	





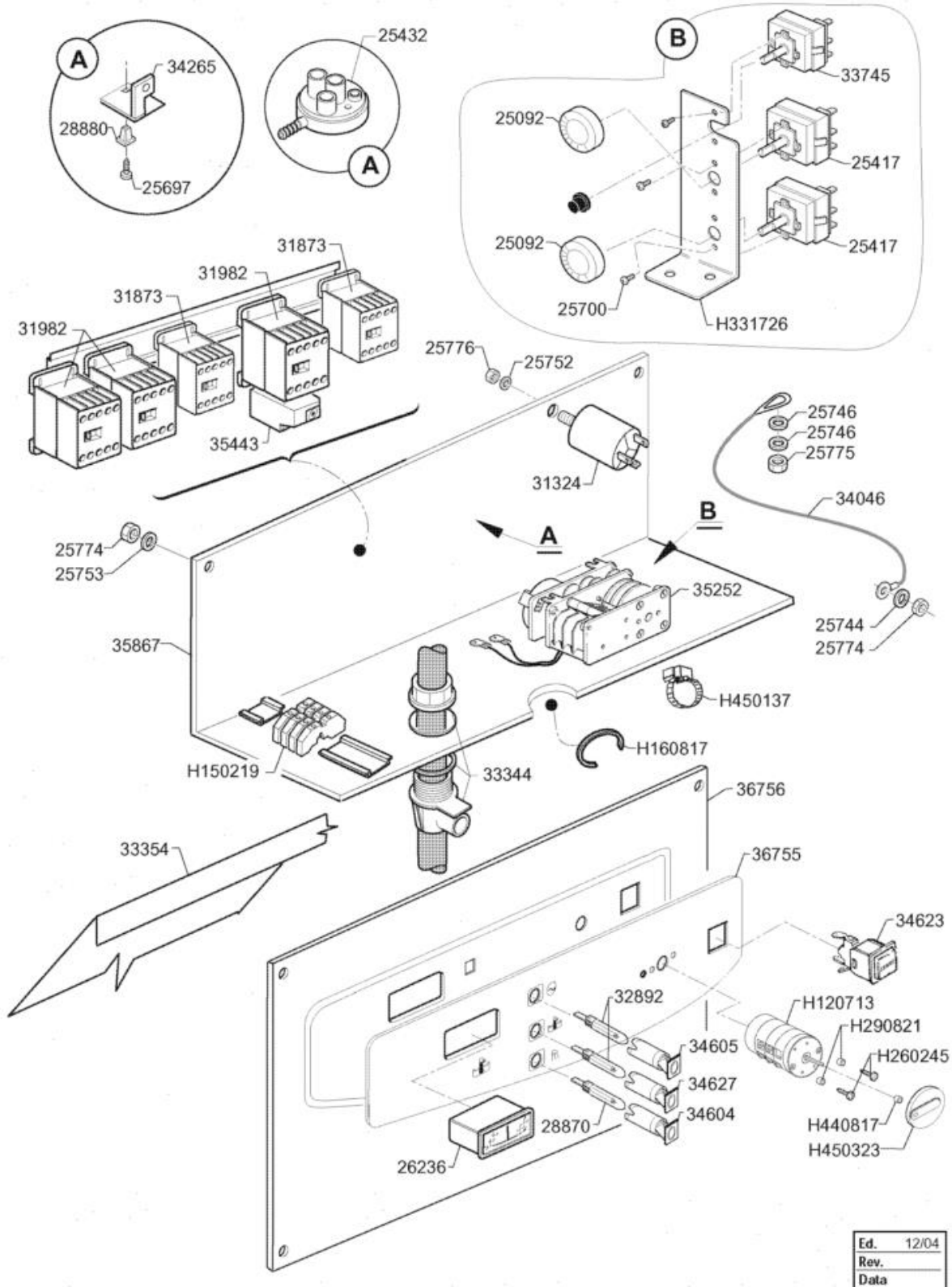
## Door Component

Code	Description	
15995	BUSH SPRING FIX. HANDLE STS	
160720	TAPPO A SCATTO HEYCO D.8	
25202	CORNER PROTECTION RUBBER	
25697	SELF-TAPPING SCREW CHEESE D747H.ROS	
25700	SCREW CHEESE-H. 4 X 8 KNURLED	
25708	SCREW HEX.HD M 5 X 10 SS	
25730	SCREW HEX.HD M 8 X 25	
25747	SPACER, FLAT, DIAM. 8	
25753	TOOTHED SPACER.DIAM.5 D.E.	
25776	NUTS 8 MA SS 18/8	
25778	NUTS 12 M 18/8 ss	
29594	NUT BLIND 4 MA	
30438	SPRING FOR PIN AND DOOR	
32969	MAGNET FOR CONTACT M350 AP	
33179	ENCLOSED NUT 4MA	
33277	SELF-TAPPING SCREW TSP 2,9 X 9,5	
35729	BODY BUSH C 98	
35732	LOWER DOOR HOUSING, C 98	
35733	LOWER DOOR INNER PANEL, C 98	
35734	UPPER DOOR C 98	
35737	UPPER DOOR LIFT. FLANGE C 98	
35739	DOOR HANDLE C 98	
35749	DOOR MOBILE ROD C 98	
35750	SUPPORT, RUBBER SHOCK-ABS.	
35800	BRACKET, DOOR SPRING FIX. C98	
35996	SELF-STICKING GASKET 15X5	
36012	UPPER DOOR LIFT.ROD, C98, THREAD.M8	
36013	FEMALE TOGGLE HEAD EBRM-0,8	
36299	COMPLETE DOOR SPRING 5,5 KG - 40MM	
36631	SCREW HEX.HD M 8 X 30	

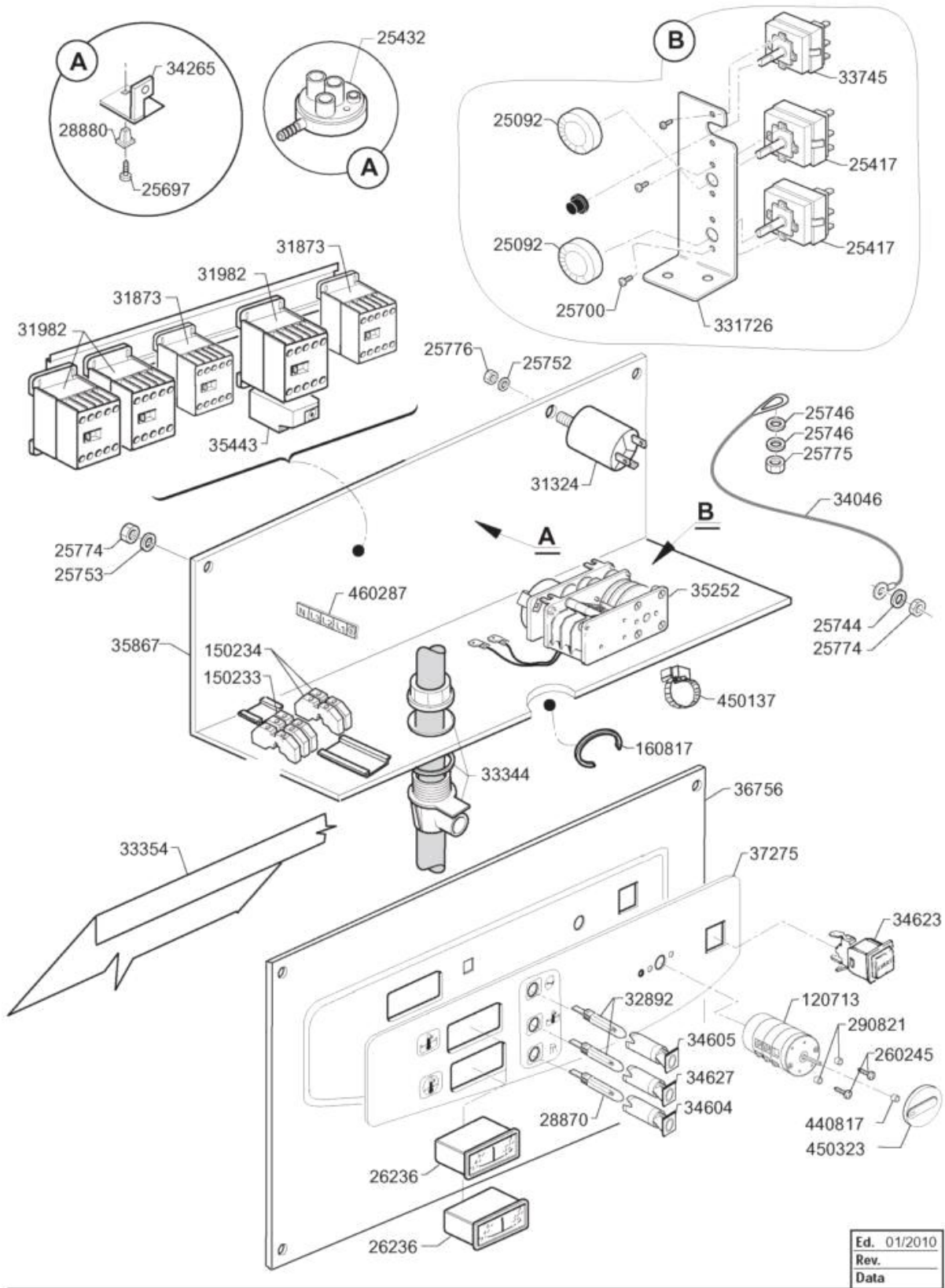


Ed.	06/02
Rev.	
Data	

Code	Description	
160817	GUARNIZIONE ASOLA IN POLIET.	
25092	HANDLE, BLACK WHITE INDEX	
25417	THERMOSTAT 30-90? MT. 2	
25432	PRESSURE SWITCH RATED 60-40	
25697	SELF-TAPPING SCREW CHEESE D747H.ROS	
25700	SCREW CHEESE-H. 4 X 8 KNURLED	
25744	SPACER, FLAT, DIAM.5	
25746	SPACER, FLAT, DIAM.6/18	
25752	TOOTHED SPACER DIAM.4 D.E.	
25753	TOOTHED SPACER.DIAM.5 D.E.	
25774	NUTS 5 MA	
25775	NUT 6 MA	
25776	NUTS 8 MA SS 18/8	
260245	VITE TCP 3,5x16 INOX UNI 6107	
26236	THERMOMETRE MT 2	
28870	PILOT LIGHT BULB -LUX FM6,3 230V.	
28880	NUT SCREW	
290821	DISTANZIALE PER INTERRUTTORE	
31324	NOISE FILTER, TYPE 5001	
31873	REMOTE SWITCH 220-240V- B6-30-10	
31982	CONTACTOR CN9 - 220V 50 HZ	
32892	NEON LIGHT BULB "GREEN" FL-T FM6,3	
331726	SQUADRETTA 3 TERMOSTATI	
33344	CABLE CLIP 5030 STEAB	
33354	ELECTRIC PLANT PROTECT.C140-70	
33745	LIMITER 110? MANUAL RESET	
34046	NYLON ROIPE, DRAWER LIMIT STOP	
34265	TANK PRESS.SWITCH BRACKET	
34604	COVER "ORANGE" PILOT LIGHT S.57.3	
34605	COVER "GREEN" PILOT LIGHT S.57.3	
34623	PUSH-BUTT. ROLD CM SING.P.NA START	
34627	PILOT LIGHT COVER "GREEN" TANK TEMP	
35252	TIMER P25/LO230/50 5CAM 6M+6S	
35443	THERMAL RELAY ABB TA 25 DU 4,0	
35740	CONTROL PANEL C 98	
35748	CTROL PANEL PLATE C 98	
35867	SUPPORT, ELECTRIC PLANT, C 98	
35929	CTRL PANEL NAMEPLATE LO 62	
440817	ANELLINO ELAS. LSCB/1853/17/0	
450137	ATTACCO A COLLARE C/BASE 31900	
450323	MANOPOLA BICOL.C/INS.GRIGIO BR	

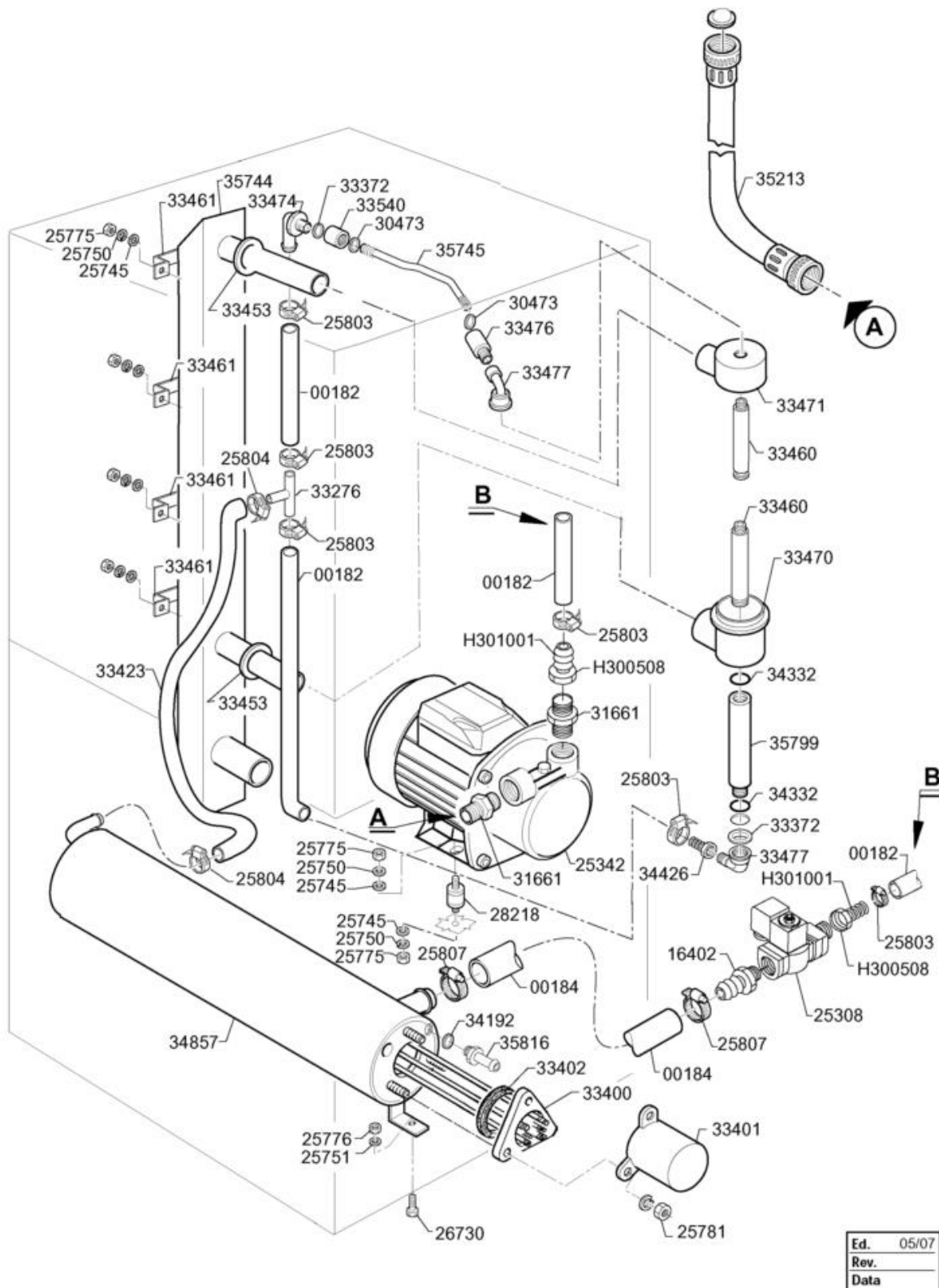


Code	Description	
160817	GUARNIZIONE ASOLA IN POLIET.	
25092	HANDLE, BLACK WHITE INDEX	
25417	THERMOSTAT 30-90? MT. 2	
25432	PRESSURE SWITCH RATED 60-40	
25697	SELF-TAPPING SCREW CHEESE D747H.ROS	
25700	SCREW CHEESE-H. 4 X 8 KNURLED	
25744	SPACER, FLAT, DIAM.5	
25746	SPACER, FLAT, DIAM.6/18	
25752	TOOTHED SPACER DIAM.4 D.E.	
25753	TOOTHED SPACER.DIAM.5 D.E.	
25774	NUTS 5 MA	
25775	NUT 6 MA	
25776	NUTS 8 MA SS 18/8	
260245	VITE TCP 3,5x16 INOX UNI 6107	
26236	THERMOMETRE MT 2	
28870	PILOT LIGHT BULB -LUX FM6,3 230V.	
28880	NUT SCREW	
290821	DISTANZIALE PER INTERRUTTORE	
31324	NOISE FILTER, TYPE 5001	
31873	REMOTE SWITCH 220-240V- B6-30-10	
31982	CONTACTOR CN9 - 220V 50 HZ	
32892	NEON LIGHT BULB "GREEN" FL-T FM6,3	
331726	SQUADRETTA 3 TERMOSTATI	
33344	CABLE CLIP 5030 STEAB	
33354	ELECTRIC PLANT PROTECT.C140-70	
33745	LIMITER 110? MANUAL RESET	
34046	NYLON ROIPE, DRAWER LIMIT STOP	
34265	TANK PRESS.SWITCH BRACKET	
34604	COVER "ORANGE" PILOT LIGHT S.57.3	
34605	COVER "GREEN" PILOT LIGHT S.57.3	
34623	PUSH-BUTT. ROLD CM SING.P.NA START	
34627	PILOT LIGHT COVER "GREEN" TANK TEMP	
35252	TIMER P25/LO230/50 5CAM 6M+6S	
35443	THERMAL RELAY ABB TA 25 DU 4,0	
35867	SUPPORT, ELECTRIC PLANT, C 98	
36755	TARGA COMANDI C 98 (2004)	
36756	PANNELLO ANT.COMANDI C98 (04)	
440817	ANELLINO ELAS. LSCB/1853/17/0	
450137	ATTACCO A COLLARE C/BASE 31900	
450323	MANOPOLA BICOL.C/INS.GRIGIO BR	



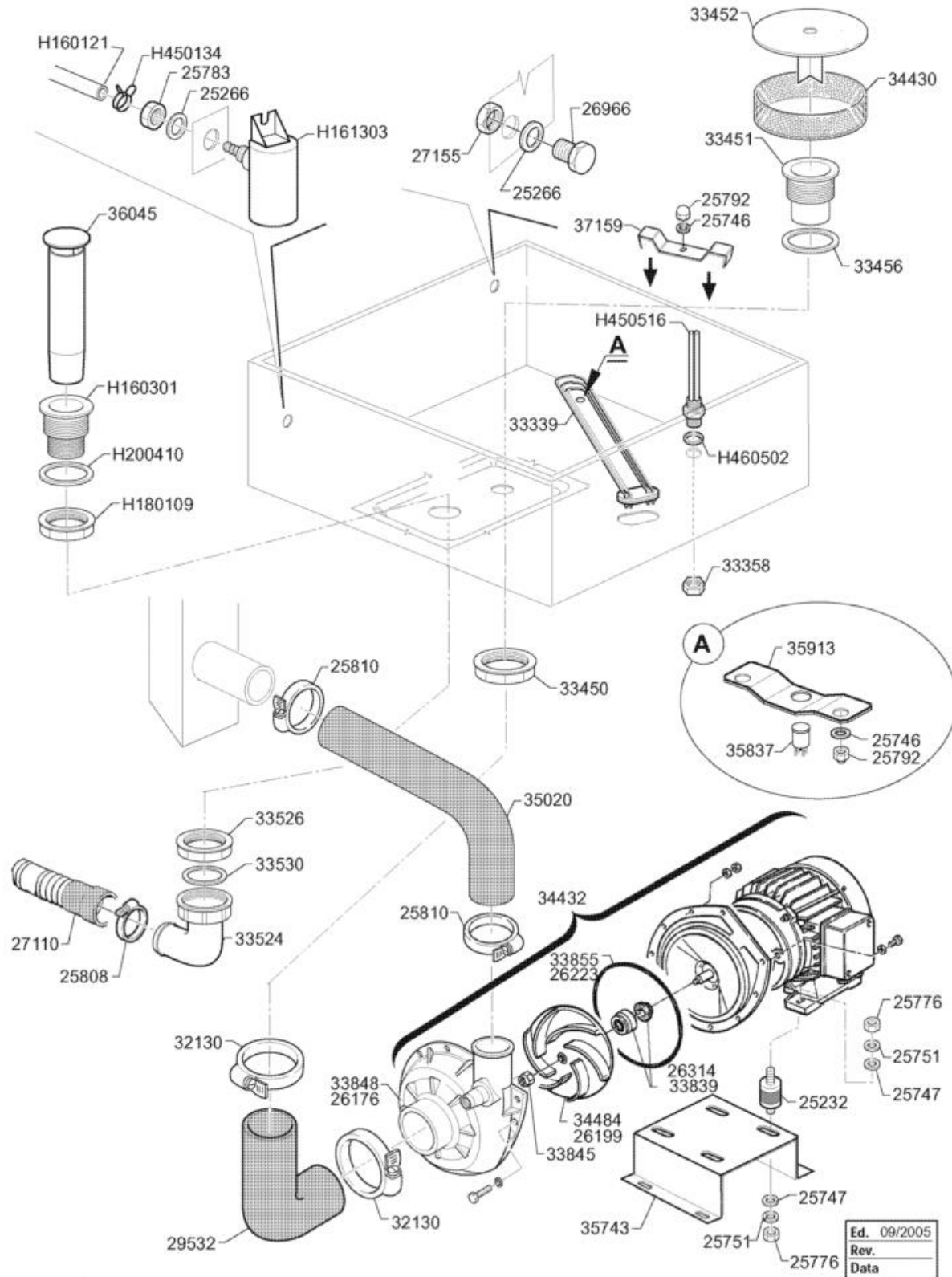
Code	Description	
150233	MORS.TRIP.16MMQ 8WA1304	
150234	MORS.UNIP.16MMQ 8WA1204	
160817	GUARNIZIONE ASOLA IN POLIET.	
25092	HANDLE, BLACK WHITE INDEX	
25417	THERMOSTAT 30-90? MT. 2	
25432	PRESSURE SWITCH RATED 60-40	
25697	SELF-TAPPING SCREW CHEESE D747H.ROS	
25700	SCREW CHEESE-H. 4 X 8 KNURLED	
25744	SPACER, FLAT, DIAM.5	
25746	SPACER, FLAT, DIAM.6/18	
25752	TOOTHED SPACER DIAM.4 D.E.	
25753	TOOTHED SPACER.DIAM.5 D.E.	
25774	NUTS 5 MA	
25775	NUT 6 MA	
25776	NUTS 8 MA SS 18/8	
260245	VITE TCP 3,5x16 INOX UNI 6107	
26236	THERMOMETRE MT 2	
28870	PILOT LIGHT BULB -LUX FM6,3 230V.	
28880	NUT SCREW	
290821	DISTANZIALE PER INTERRUTTORE	
31324	NOISE FILTER, TYPE 5001	
31873	REMOTE SWITCH 220-240V- B6-30-10	
31982	CONTACTOR CN9 - 220V 50 HZ	
32892	NEON LIGHT BULB "GREEN" FL-T FM6,3	
331726	SQUADRETTA 3 TERMOSTATI	
33344	CABLE CLIP 5030 STEAB	
33354	ELECTRIC PLANT PROTECT.C140-70	
33745	LIMITER 110? MANUAL RESET	
34046	NYLON ROIPE, DRAWER LIMIT STOP	
34265	TANK PRESS.SWITCH BRACKET	
34604	COVER "ORANGE" PILOT LIGHT S.57.3	
34605	COVER "GREEN" PILOT LIGHT S.57.3	
34623	PUSH-BUTT. ROLD CM SING.P.NA START	
34627	PILOT LIGHT COVER "GREEN" TANK TEMP	
35252	TIMER P25/LO230/50 5CAM 6M+6S	
35443	THERMAL RELAY ABB TA 25 DU 4,0	
35867	SUPPORT, ELECTRIC PLANT, C 98	
36756	PANNELLO ANT.COMANDI C98 (04)	
37275	TARGA COMANDI C 98 (2006)	
440817	ANELLINO ELAS. LSCB/1853/17/0	
450137	ATTACCO A COLLARE C/BASE 31900	
450323	MANOPOLA BICOL.C/INS.GRIGIO BR	
460287	TARGHETTA X MORSETT.MONOFASE	





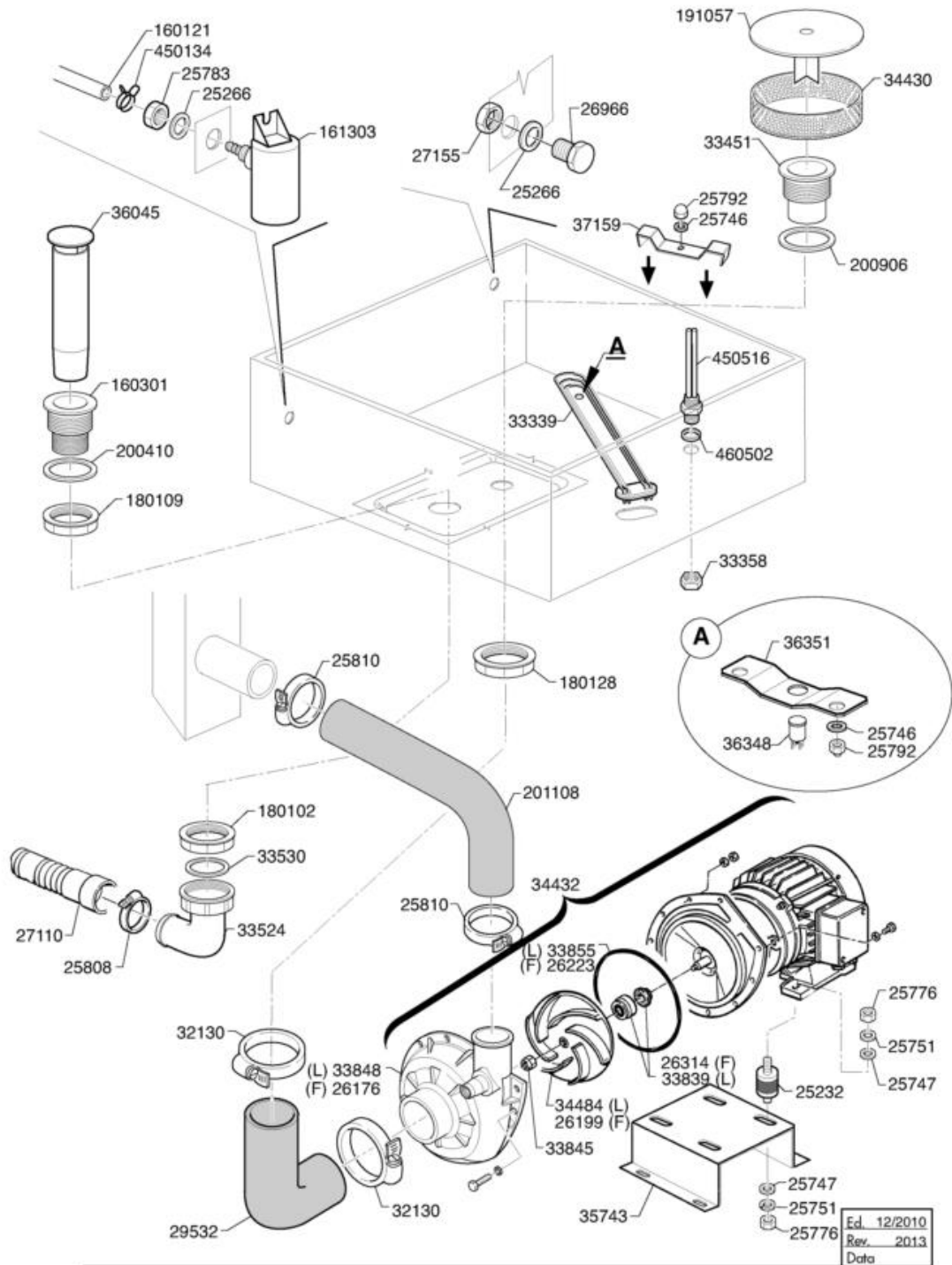
## Rinse Assembly

Code	Description	
00182	HOSE 11X19 CASER/15"BLUE"	
00184	19X29 ANTICAL HOSE	
16402	HOSE FITTING M DA 1/2" X 20	
25308	SOLENOID VALVE INDUSTR. 3/4"-1/2"	
25342	ELECTR.PUMP PQm 60 230V50Hz Hp0,5	
25745	SPACER, FLAT, DIAM.6	
25750	SPACER, SPLITTED, DIAM. 6	
25751	SPACER. SPLITTED, DIAM. 8	
25775	NUT 6 MA	
25776	NUTS 8 MA SS 18/8	
25781	NUTS 6 MA, THREADED/ZINCATED	
25803	HOSE CLIP 13-20 ABA	
25804	HOSE CLIP 15-24 ABA	
25807	HOSE CLIP 26-38 ABA	
26730	SCREW TE M 8 X 20	
28218	ISOLATOR 2 PINS 6 MA	
300508	GIRELLO OTTONE 3/4"G NICHELATO	
301001	PORTAG.x GIR.OTTONE 3/4"G NIC	
30473	GASKET, OR 114	
31661	THREADED P.UNION 1"-3/4" M/M	
33276	T-SHAPED CONNECTOR ?11,5-PART180413	
33372	GASKET 24X17X2 FASIT OMNIA	
33400	HEAT.EL.FL.6000W 220/380V (110349)	
33401	COVER, HEATING ELEMENT H 50 (HIGH)	
33402	GASKET OR 6X56X68	
33423	HEAT PROOF PIPE 12X19,5	
33453	GASKET 60X54 REAR C140	
33460	SHAFT ARM C95-155-165	
33461	JUMPER, WASH RAMP ARMC140-C85	
33470	SUPP. LOWER W.ARM."C"WASH-L C110-14	
33471	SUPP.UPPER W.ARM."C"WASH-L.C110 NIC	
33474	ELBOW RINSE	
33476	FITTING FOR RINSE DELIV.M	
33477	ELBOW FEM/FEM. 3/8 1/4 C140-155	
33540	FITTING, RINSE DELIV. F	
34192	SEAL WASHER	
34332	GASKET OR 128 SUPP.PLUG	
34426	PIPE UNION 1/4 G FOR C90	
34857	BOILER CPL EDI	
35213	INLET HOSE, PLAIT. NYLON 2m ?6	
35744	WASH DELIVERY PIPE C 98	
35745	UPPER RINSE DELIVERY PIPE C 98	
35799	REVLV.ARM EXTENSION, C98	
35816	PIPE FITTING, DISP.ATTACH.M8 C98	



Code	Description	
160121	TUBO GOMMA NERA 5X9 PRESSOST.	
160301	PILETTA SCARICO 1 1/2"	
161303	TRAPPOLA ARIA LAVABICC.	
180109	CONTRODADO DA 1 1/2" PLAST.	
200410	GUAR.NEOP.11/2"D.65X47X3	
25232	ISOLATOR 2 PINS 8 MA 30x20	
25266	FLAT GASKET 18 X 10 X 2	
25746	SPACER, FLAT, DIAM.6/18	
25747	SPACER, FLAT, DIAM. 8	
25751	SPACER. SPLITTED, DIAM. 8	
25776	NUTS 8 MA SS 18/8	
25783	NUT 10 MA	
25792	SELF-LOCKING NUT 6 MA LOWER SIDE	
25808	HOSE CLIP 27-51CLAM	
25810	HOSE CLIP 55-70	
26176	COVER, WASH PUMP HP 3 RIGHT	
26199	IMPELLER WASH P.HP2 DX OPENED	
26223	GASKET, COVER PUMP	
26314	SHAFT SEAL, WASH PUMP HP 1,5/2	
26966	HOLE CLOSING PLUG	
27110	DRAIN HOSE DIAM.33X1500	
27155	PLASTIC NUT10 M	
29532	SUCT SLEEVE.ED700-900-650E	
32130	HOSE CLIP 60-80	
33339	HEAT.ELEM.3000W 230/400V(110227)	
33358	LOCK NUT 1/2" ES.30 SP.7"SS"	
33450	THREADED NUT 65,4 C140 C85-C155	
33451	SUCTION ELBOW C85-140	
33452	PROTECT.DISC PUMP SUCT. C85-C155	
33456	GASKET D.92X66X2	
33524	ELBOW 1"1/2, DRAIN N-S-F-C	
33526	NUT 1"1/2, ELBOW F45-C75	
33530	DRAIN GASKET 1"1/2 45X33X3	
33839	MECH. SEAL PR/AR 13 BEFF	
33845	NUT M8, RIGHT H=5 MM	
33848	PUMP HOUS.ZF650 RIGHT A60/M50 HOSE	
33855	GASKET OR. 158.34*3.53	
34430	SAFETY FILTER, SUCTION PUMP C90	
34432	WASH PUMP HP 2,2 DX C 90	
34484	IMPELLER 120 6-BLADE, RIGHT ZF 800	
35020	DELIVERY SLEEVE, C 81/C 90	
35743	PUMP SUPPORT. PLATE C 98	
35837	B.THERMOSTAT WITH MAN. RESET 68?	
35913	THERM. SUPP. PLATE- MANUAL RESET	
36045	OVERFLOW TUBE C 98 H=223	

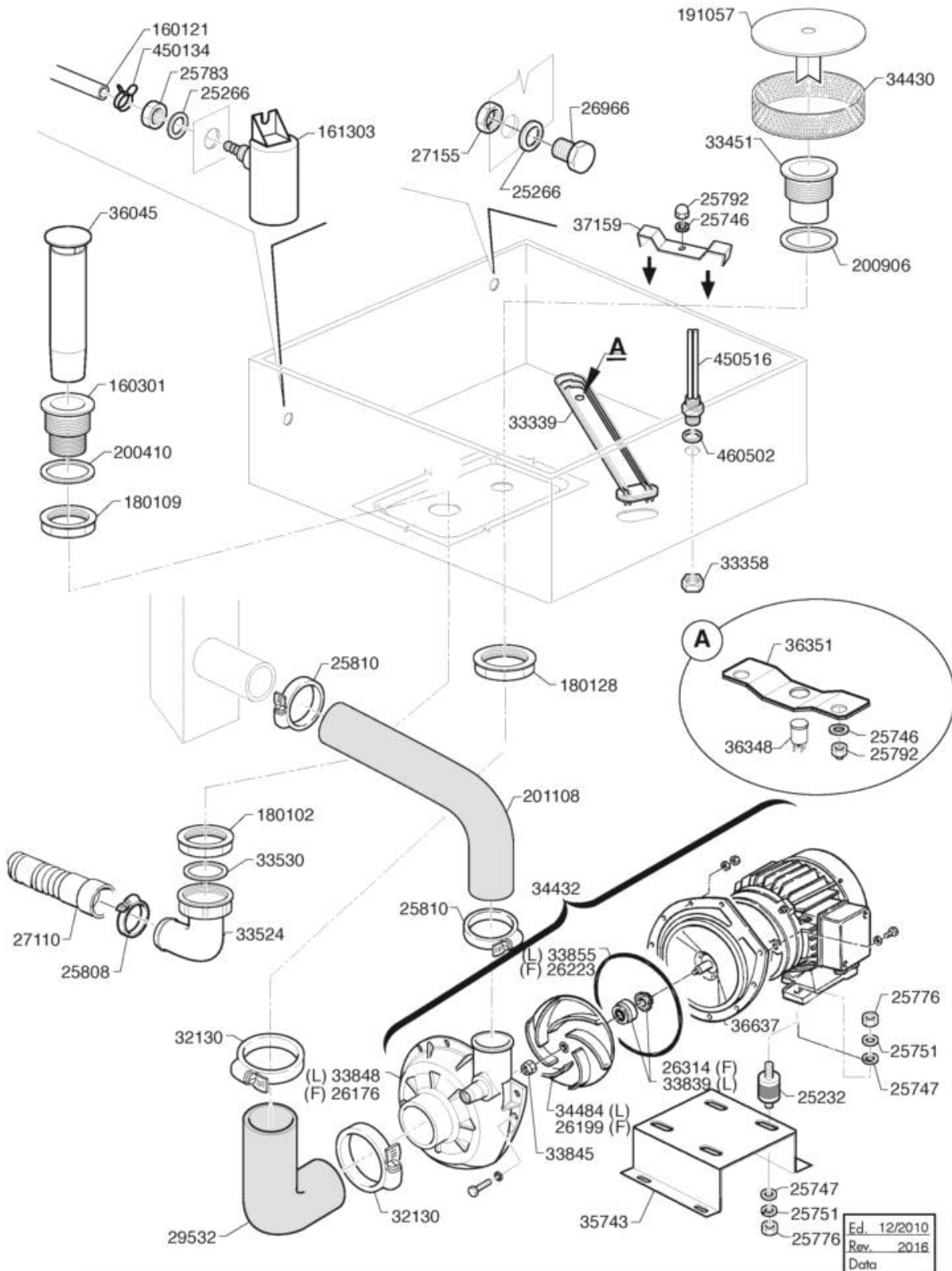
Code	Description	
37159	CAVAL.FIS.RES.V.C81/90/98/CAP7	
450134	FASCETTA A FILO X TUB. 9,3-8,8	
450516	GUAINA TERM. 2 TUBI INOX H=109	
460502	GUARNIZ. 30X21X2 KLINGER 1/2"	



Code	Description	
160121	TUBO GOMMA NERA 5X9 PRESSOST.	
160301	PILETTA SCARICO 1 1/2"	
161303	TRAPPOLA ARIA LAVABICC.	
180102	GHIERA 1"1/2 PILETTA F-C75	
180109	CONTRODADO DA 1 1/2" PLAST.	
180128	GHIERA FIL 65,4 C140 C85-155	
191057	PROTEZIONE ASPIRAZ. C85-C155	
200410	GUAR.NEOP.11/2"D.65X47X3	
200906	GUARNIZIONE D. 92x66x2	
201108	MANICOTTO MAND.GE755 (HV35020)	
25232	ISOLATOR 2 PINS 8 MA 30x20	
25266	FLAT GASKET 18 X 10 X 2	
25746	SPACER, FLAT, DIAM.6/18	
25747	SPACER, FLAT, DIAM. 8	
25751	SPACER. SPLITTED, DIAM. 8	
25776	NUTS 8 MA SS 18/8	
25783	NUT 10 MA	
25792	SELF-LOCKING NUT 6 MA LOWER SIDE	
25808	HOSE CLIP 27-51CLAM	
25810	HOSE CLIP 55-70	
26176	COVER, WASH PUMP HP 3 RIGHT	
26199	IMPELLER WASH P.HP2 DX OPENED	
26223	GASKET, COVER PUMP	
26314	SHAFT SEAL, WASH PUMP HP 1,5/2	
26966	HOLE CLOSING PLUG	
27110	DRAIN HOSE DIAM.33X1500	
27155	PLASTIC NUT10 M	
29532	SUCT SLEEVE.ED700-900-650E	
32130	HOSE CLIP 60-80	
33339	HEAT.ELEM.3000W 230/400V(110227)	
33358	LOCK NUT 1/2" ES.30 SP.7"SS"	
33451	SUCTION ELBOW C85-140	
33524	ELBOW 1"1/2, DRAIN N-S-F-C	
33530	DRAIN GASKET 1"1/2 45X33X3	
33839	MECH. SEAL PR/AR 13 BEFF	
33845	NUT M8, RIGHT H=5 MM	
33848	PUMP HOUS.ZF650 RIGHT A60/M50 HOSE	
33855	GASKET OR. 158.34*3.53	
34430	SAFETY FILTER, SUCTION PUMP C90	
34432	WASH PUMP HP 2,2 DX C 90	
34484	IMPELLER 120 6-BLADE, RIGHT ZF 800	
35743	PUMP SUPPORT. PLATE C 98	
36045	OVERFLOW TUBE C 98 H=223	
36348	TERMOST.B.RIARMO MAN99?C-210?F	
36351	PIASTRA SUPP.TERM.RIAR.MAN.301	

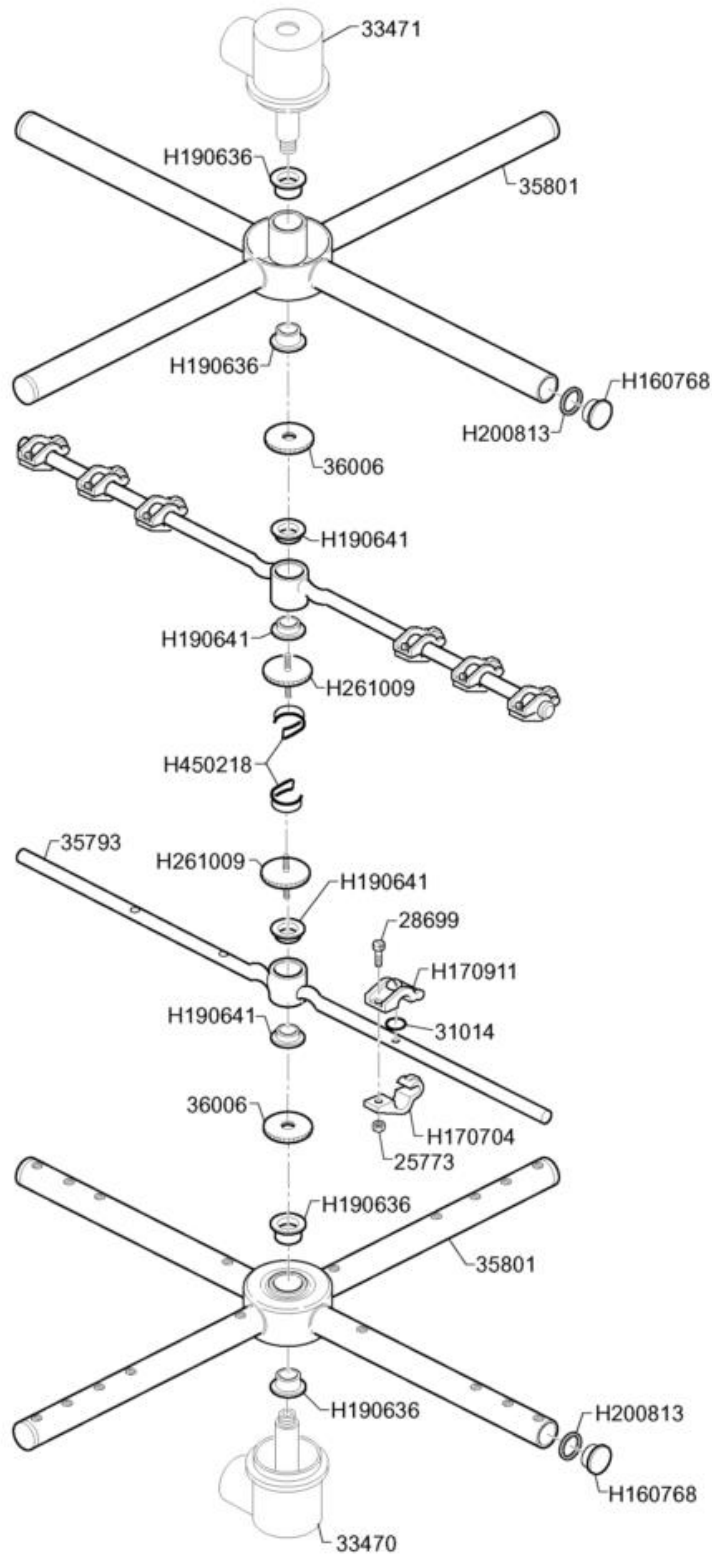
Code	Description	
37159	CAVAL.FIS.RES.V.C81/90/98/CAP7	
450134	FASCETTA A FILO X TUB. 9,3-8,8	
450516	GUAINA TERM. 2 TUBI INOX H=109	
460502	GUARNIZ. 30X21X2 KLINGER 1/2"	





Code	Description	
160121	TUBO GOMMA NERA 5X9 PRESSOST.	
160301	PILETTA SCARICO 1 1/2"	
161303	TRAPPOLA ARIA LAVABICC.	
180102	GHIERA 1"1/2 PILETTA F-C75	
180109	CONTRODADO DA 1 1/2" PLAST.	
180128	GHIERA FIL 65,4 C140 C85-155	
191057	PROTEZIONE ASPIRAZ. C85-C155	
200410	GUAR.NEOP.11/2"D.65X47X3	
200906	GUARNIZIONE D. 92x66x2	
201108	MANICOTTO MAND.GE755 (HV35020)	
25232	ISOLATOR 2 PINS 8 MA 30x20	
25266	FLAT GASKET 18 X 10 X 2	
25746	SPACER, FLAT, DIAM.6/18	
25747	SPACER, FLAT, DIAM. 8	
25751	SPACER. SPLITTED, DIAM. 8	
25776	NUTS 8 MA SS 18/8	
25783	NUT 10 MA	
25792	SELF-LOCKING NUT 6 MA LOWER SIDE	
25808	HOSE CLIP 27-51CLAM	
25810	HOSE CLIP 55-70	
26176	COVER, WASH PUMP HP 3 RIGHT	
26199	IMPELLER WASH P.HP2 DX OPENED	
26223	GASKET, COVER PUMP	
26314	SHAFT SEAL, WASH PUMP HP 1,5/2	
26966	HOLE CLOSING PLUG	
27110	DRAIN HOSE DIAM.33X1500	
27155	PLASTIC NUT10 M	
29532	SUCT SLEEVE.ED700-900-650E	
32130	HOSE CLIP 60-80	
33339	HEAT.ELEM.3000W 230/400V(110227)	
33358	LOCK NUT 1/2" ES.30 SP.7"SS"	
33451	SUCTION ELBOW C85-140	
33524	ELBOW 1"1/2, DRAIN N-S-F-C	
33530	DRAIN GASKET 1"1/2 45X33X3	
33839	MECH. SEAL PR/AR 13 BEFF	
33845	NUT M8, RIGHT H=5 MM	
33848	PUMP HOUS.ZF650 RIGHT A60/M50 HOSE	
33855	GASKET OR. 158.34*3.53	
34430	SAFETY FILTER, SUCTION PUMP C90	
34432	WASH PUMP HP 2,2 DX C 90	
34484	IMPELLER 120 6-BLADE, RIGHT ZF 800	
35743	PUMP SUPPORT. PLATE C 98	
36045	OVERFLOW TUBE C 98 H=223	
36348	TERMOST.B.RIARMO MAN99?C-210?F	
36351	PIASTRA SUPP.TERM.RIAR.MAN.301	

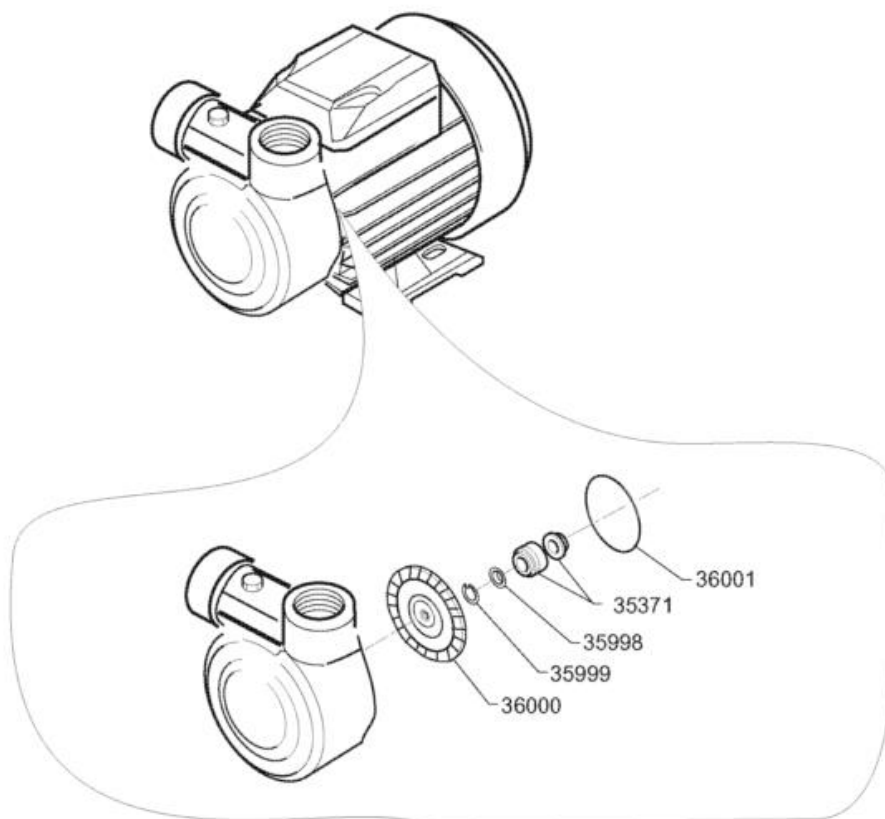
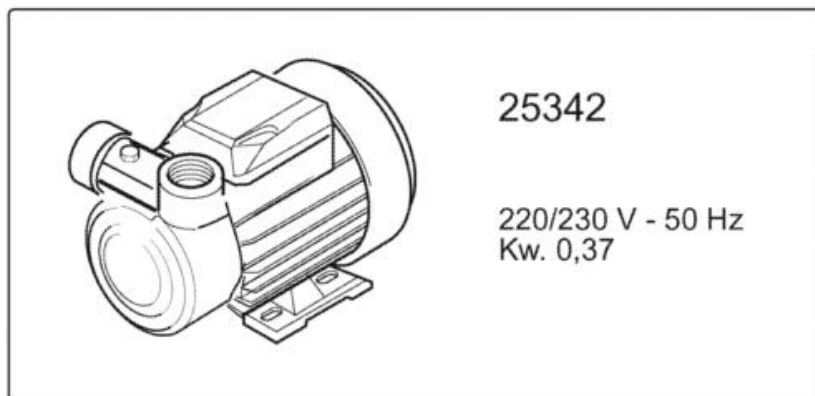
Code	Description	
36637	FLANGIA ZF 650 DX X 34432 LGB	
37159	CAVAL.FIS.RES.V.C81/90/98/CAP7	
450134	FASCETTA A FILO X TUB. 9,3-8,8	
450516	GUAINA TERM. 2 TUBI INOX H=109	
460502	GUARNIZ. 30X21X2 KLINGER 1/2"	



Ed.	11/2006
Rev.	
Data	

## Wash Arm

Code	Description	
160768	TAPPO X MULINELLO LAV. "C"	
170704	CAVALL.FISS.UGEL.RISC.F-B-C33	
170911	GETTO RISC. B23-F 2-C34	
190636	BUSSOLA x MULINELLO LAV. C90E	
190641	BUSSOLA MULIN.RISC."C" V.S.	
200813	GUARNIZ. OR 2,21x16,36x20,78	
25773	NUTS 4 MA SS 18/8	
261009	VITE FISS. MULINELLO TUB.ACC.	
28699	CHEESE-HD SCREW TC 4 X 10	
31014	GASKET OR 106	
33470	SUPP. LOWER W.ARM."C"WASH-L C110-14	
33471	SUPP.UPPER W.ARM."C"WASH-L.C110 NIC	
35793	RINSE REVOLV. ARM C 98	
35801	REVOLVING WASHARM C 98	
36006	S.S.304 BUSHING, REVOLV.WASHARM	
450218	MOLLA FISS.VITE MULIN.C95-155	

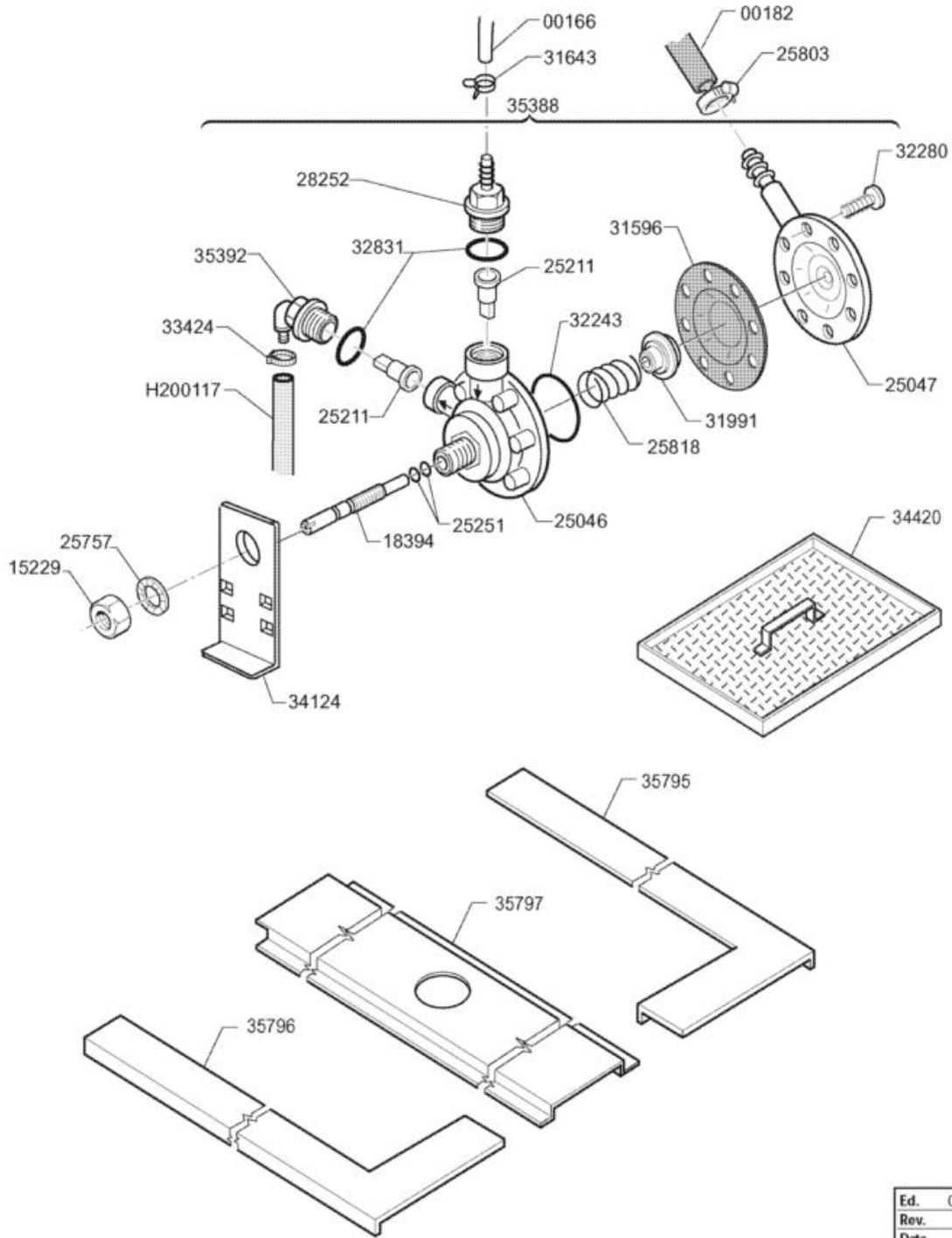


Ed.	06/02
Rev.	
Data	

## Rinse Pump

Code	Description	
25342	ELECTR.PUMP PQm 60 230V50Hz Hp0,5	
35371	MECH.SEAL PQ60 X 25342-25345	
35998	SPACER FOR PUMP PQ60 25342	
35999	SEEGER RING FOR PUMP PQ60 25342	
36000	IMPELLER, PUMP PQ60 25342	
36001	OR GASKET, PUMP PQ60 25342	

# Rinse Aid Injector/Tank Filter



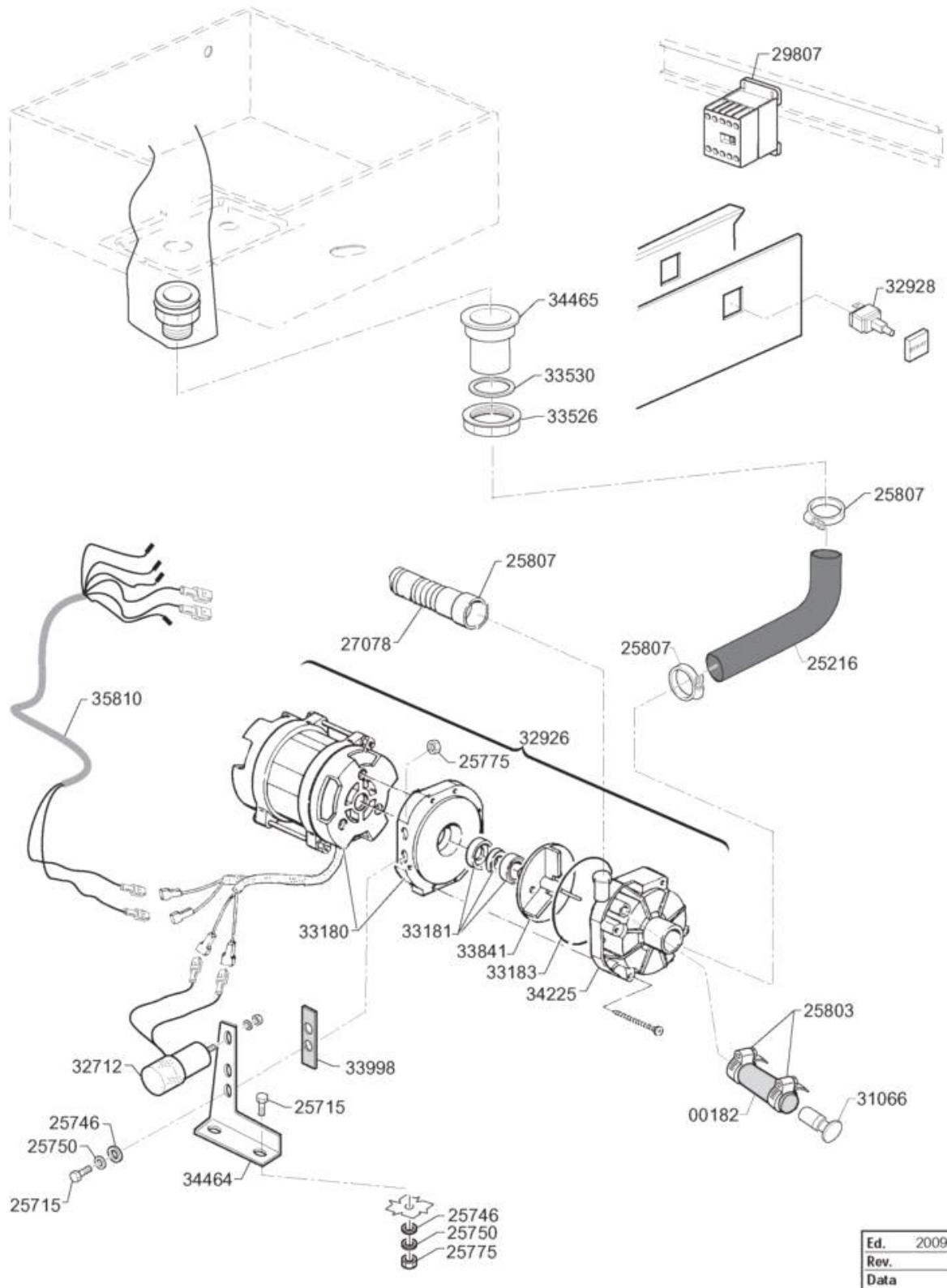
Ed.	06/02
Rev.	
Data	



## Rinse Aid Injector/Tank Filter

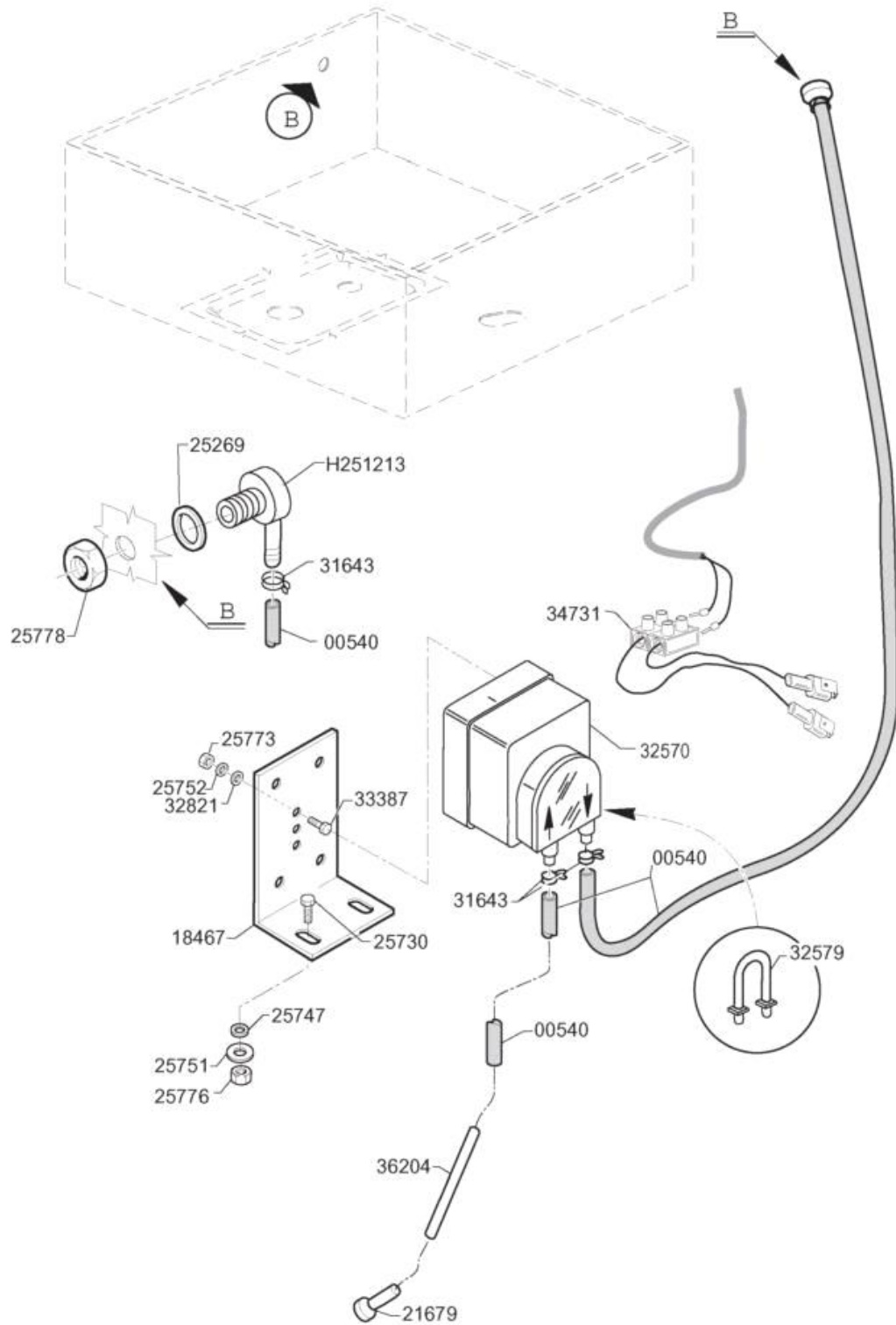
Code	Description	
00166	ROLL TUBE TRANSP. 4X7	
00182	HOSE 11X19 CASER/15"BLUE"	
15229	LOCK NUT AID DISPENSER	
18394	SCREW CONTROL DISPENSER	
200117	TUBO GOMMA 8x15 CALORFORM/10	
25046	UPPER DISPENSER ASSEMBLY	
25047	LOWER DISPENSER ASSEMBLY	
25211	NON RETURN VALVE RINSE AID DISP.	
25251	GASKET OR 2012	
25757	TOOTHED SPACER DIAM. 12 D.E.D787	
25803	HOSE CLIP 13-20 ABA	
25818	CYLINDER SPRING (WIRE)	
28252	FITTING SUCTION DISPENSER	
31596	DIAPHRAGM, DISPENSER	
31643	HOSE CLIP 7,3-7,8	
31991	SPRING GUIDE FOR DISPENSER	
32243	GASKET OR 3156	
32280	OVAL HD. CROSS-SL. SCREW 4 X 13	
32831	GASKET OR 2062	
33424	FE-ZN CLAMP 11-17 H=9	
34124	BRACKET, HOONVED DISPENSER	
34420	TANK FILTER ED650/C 90/C98	
35388	RINSE AID DISP."YELLOW" C/STS	
35392	90? VALVE FITTING, RINSE AID H/C	
35795	RIGHT SIDE CROSSBAR, FILTER SUPP. C	
35796	LEFT SIDE CROSSBAR, FILTER SUPP. C	
35797	CENTR. CROSSBAR, FILTER SUPP. C98	

# Drain Pump Optional



## Drain Pump Optional

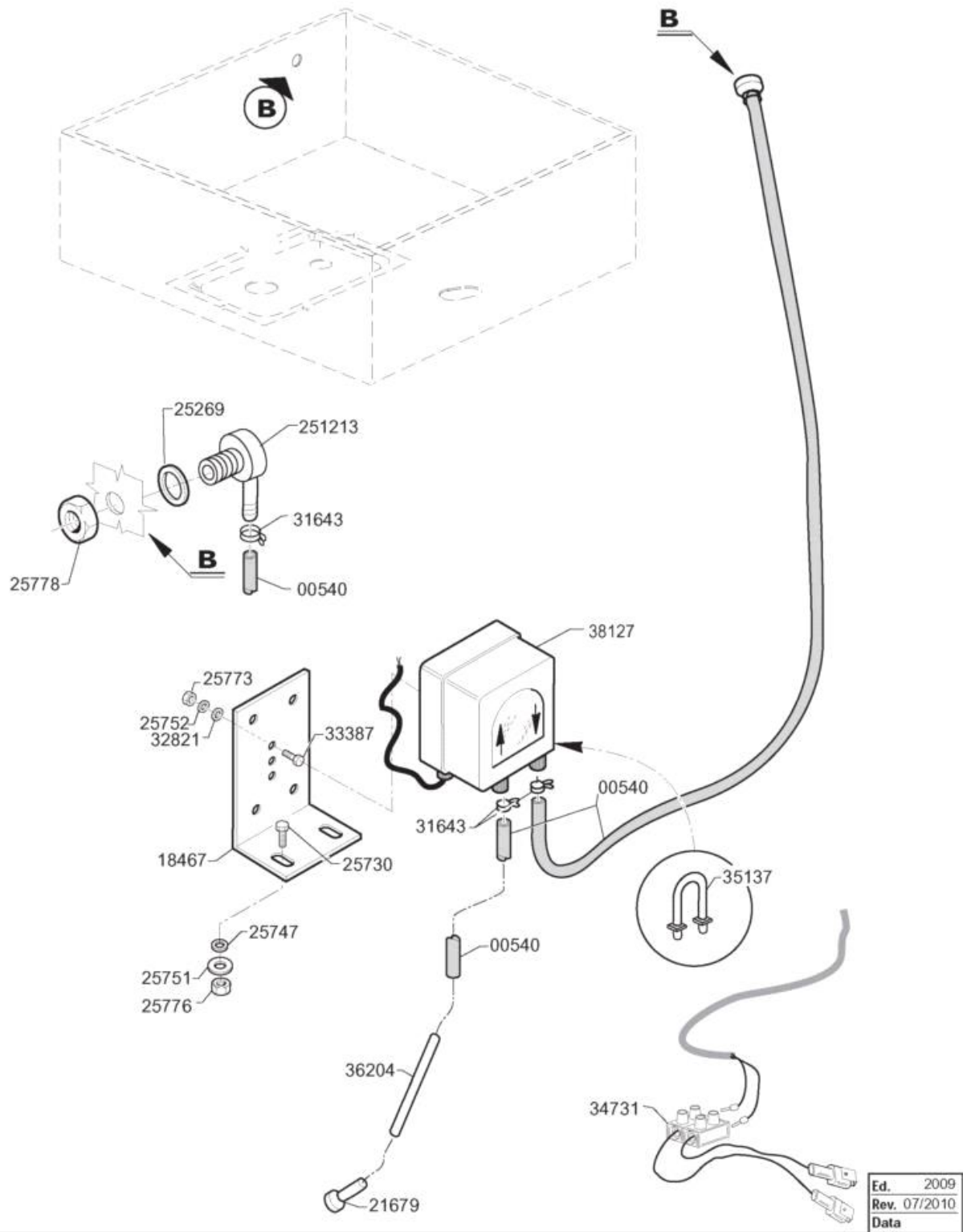
Code	Description	
00182	HOSE 11X19 CASER/15"BLUE"	
25216	DRAIN SLEEVE 50-52-T4(T5)	
25715	SCREW HEX.HD M 6 X 16 SS	
25746	SPACER, FLAT, DIAM.6/18	
25750	SPACER, SPLITTED, DIAM. 6	
25775	NUT 6 MA	
25803	HOSE CLIP 13-20 ABA	
25807	HOSE CLIP 26-38 ABA	
27078	DRAIN HOSE, DIA.24X1500	
29807	REMOTE SWITCH 220-240V- B6-30-01	
31066	KNURLED BUTTON, SMALL PUMP BPS	
32712	CAPACITOR UF 6,3-450 V CPL.	
32926	DRAIN WASH PUMP HP0,15 50/60 HZ	
32928	PUSH-BUTTON, DOUBLE POLE SHUNT, CM	
33180	PUMP BODY (32926) LGB	
33181	SHAFT SEAL C3 (LGB)FOR PUMP CODE 32	
33183	GASKET OR 75,87X2,62 LGB	
33526	NUT 1"1/2, ELBOW F45-C75	
33530	DRAIN GASKET 1"1/2 45X33X3	
33841	IMPELLER DIAM.73, 3-BLADE, M7SX	
33998	VIBR.PROOF RUBBER GASK. FOR PUMP	
34225	PUMP COVER 2212303/HO	
34464	SUPP.PLATE, DRAIN PUMP ED650	
34465	PIPE CONNECT. DRAIN PUMP ED650	
35810	CONNECT.WIRES, DRAIN EL.PMP EDI 5/C	



Ed.	2009
Rev.	
Data	

## Detergent Pump Optional

Code	Description	
00540	RED TUBE 8X4 ROLL	
18467	HOLDING SUPP. PUMP DISPENS.	
21679	FILTER DET.-RINSE AID PREASS.	
251213	PORTAG.A GOMITO INOX POMPA DET	
25269	FLAT GASKET	
25730	SCREW HEX.HD M 8 X 25	
25747	SPACER, FLAT, DIAM. 8	
25751	SPACER. SPLITTED, DIAM. 8	
25752	TOOTHED SPACER DIAM.4 D.E.	
25773	NUTS 4 MA SS 18/8	
25776	NUTS 8 MA SS 18/8	
25778	NUTS 12 M 18/8 ss	
31643	HOSE CLIP 7,3-7,8	
32570	DETERG. DISPENS WALL MOUNT. LP 120	
32579	INNER TUBE FOR DETERGENT P. 32570	
32821	FLAT WASHER DIAM 5,5/15	
33387	HEX.HD SCREW 4X16 SS A2 UNI 5739	
34731	ELECT.CONN. TERMINAL FOR AUTOCL.	
36204	SINGLE COUNTERWEIGHT, DETERGENT HOS	



## Detergent Pump Optional 2009 cod. 38127

Code	Description	
00540	RED TUBE 8X4 ROLL	
18467	HOLDING SUPP. PUMP DISPENS.	
21679	FILTER DET.-RINSE AID PREASS.	
251213	PORTAG.A GOMITO INOX POMPA DET	
25269	FLAT GASKET	
25730	SCREW HEX.HD M 8 X 25	
25747	SPACER, FLAT, DIAM. 8	
25751	SPACER. SPLITTED, DIAM. 8	
25752	TOOTHED SPACER DIAM.4 D.E.	
25773	NUTS 4 MA SS 18/8	
25776	NUTS 8 MA SS 18/8	
25778	NUTS 12 M 18/8 ss	
31643	HOSE CLIP 7,3-7,8	
32821	FLAT WASHER DIAM 5,5/15	
33387	HEX.HD SCREW 4X16 SS A2 UNI 5739	
34731	ELECT.CONN. TERMINAL FOR AUTO.	
35137	PUMP HOSE DET.SEKO PG3	
36204	SINGLE COUNTERWEIGHT, DETERGENT HOS	
38127	POMPA PERISTALTICA SEKO PR 7	