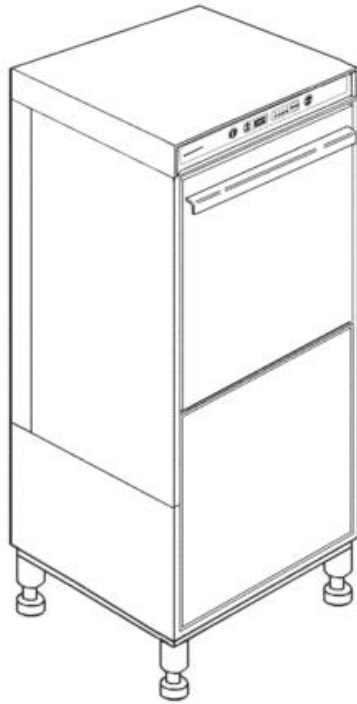


CATALOGO RICAMBI  
SPARE PARTS  
PIECES DETACHEES  
ERSATZTEILE  
LISTA DE RECAMBIOS



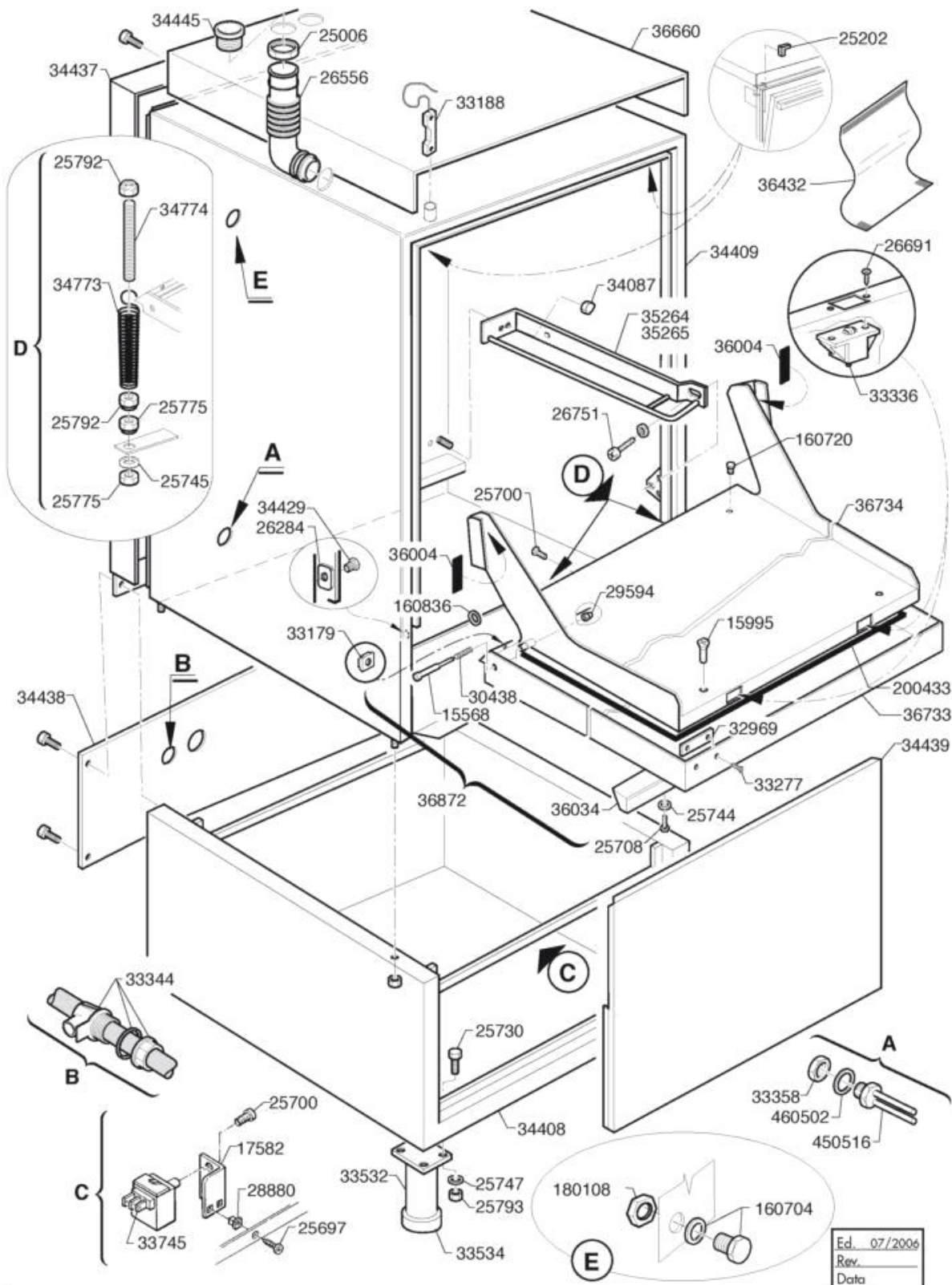
Realizzato da Hoover srl - work station Macintosh - U.T. NIGRO

**Lavaoggetti**  
**Utensil and pot washer**  
**Lave batterie**  
**Gerätespülmaschinen**  
**Lava utensilios**

**C 90 E BT**  
**200V3 50Hz**

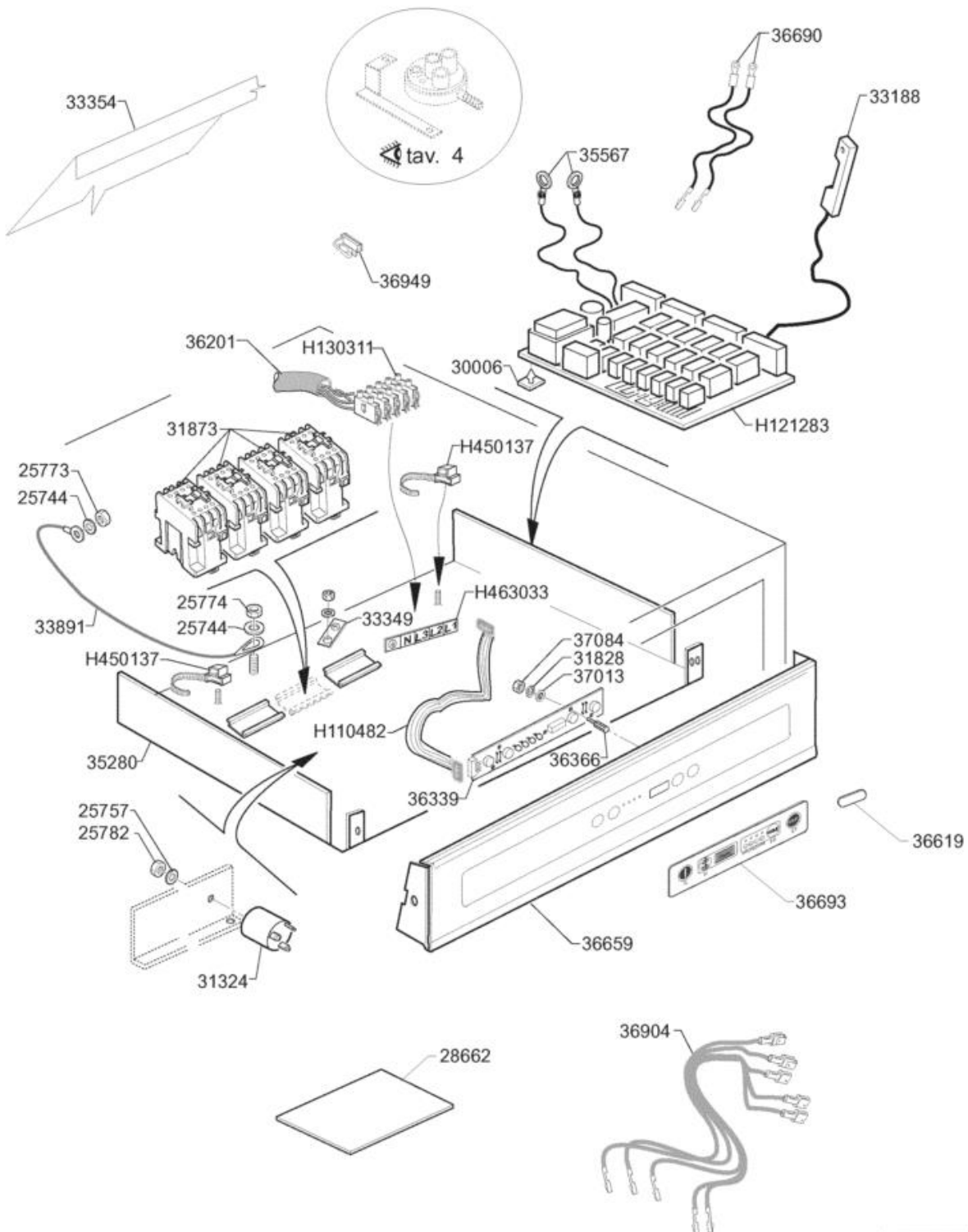
Ed. 07/2006

- 1 Hood
- 2 Control Box
- 3 Rinse Assembly
- 4 Tank
- 5 Wash pump and DRAIN
- 6 Rinse Pump
- 7 Wash Arm
- 8 Rinse Aid Injector
- 9 Detergent Pump
- 10 Detergent Pump Optional 2009 cod. 38127



Code	Description	
15568	MOBILE DOWEL FOR DOOR	
15995	BUSH SPRING FIX. HANDLE STS	
160704	TAPP.NERI CON GUAR.1/2"GAKT20	
160720	TAPPO A SCATTO HEYCO D.8	
160836	RONDELLA GRANO PORTA-BC/BR143	
17582	HOLDER THERMOSTAT 43/60	
180108	GHIERA 1/2" GAS PLASTICA	
200433	GOMMA SPUGNA ADES.6x2,5 NEOPR	
25006	NUT FO DRAIN SUCT. P.	
25202	CORNER PROTECTION RUBBER	
25697	SELF-TAPPING SCREW CHEESE D747H.ROS	
25700	SCREW CHEESE-H. 4 X 8 KNURLED	
25708	SCREW HEX.HD M 5 X 10 SS	
25730	SCREW HEX.HD M 8 X 25	
25744	SPACER, FLAT, DIAM.5	
25745	SPACER, FLAT, DIAM.6	
25747	SPACER, FLAT, DIAM. 8	
25775	NUT 6 MA	
25792	SELF-LOCKING NUT 6 MA LOWER SIDE	
25793	SELF-LOCKING NUT 8 MA LOWER SIDE	
26284	SHEARED PLATES M8 14X20X4	
26556	BREATHER SLEEVE, K 80 ZEROWATT	
26691	SCREW TS M 4 X 8	
26751	SCREW 1/2 FLAT ROUND HD 6 X 12	
28880	NUT SCREW	
29594	NUT BLIND 4 MA	
30438	SPRING FOR PIN AND DOOR	
32969	MAGNET FOR CONTACT M350 AP	
33179	ENCLOSED NUT 4MA	
33188	MAGNETIC SENSOR	
33277	SELF-TAPPING SCREW TSP 2,9 X 9,5	
33336	ROLLER DOOR LATCH	
33344	CABLE CLIP 5030 STEAB	
33358	LOCK NUT 1/2" ES.30 SP.7"SS"	
33532	PLASTIC FOOT HOLDER	
33534	FOOT, COMENDA, 30 MM	
33745	LIMITER 110? MANUAL RESET	
34087	FLANGED NUT M5 A2 DIN 6923	
34408	BASE CPL C 90	
34409	TANK CPL C 90	
34429	VITE SPECIALE X PORTA C 90	
34437	REAR PANEL C 90	
34438	REAR PANEL, BASE C 90	
34439	FRONT PANEL, TANK, LO50, BLUE	
34445	PIPE UNION, BREATHER SLEEVE C90	

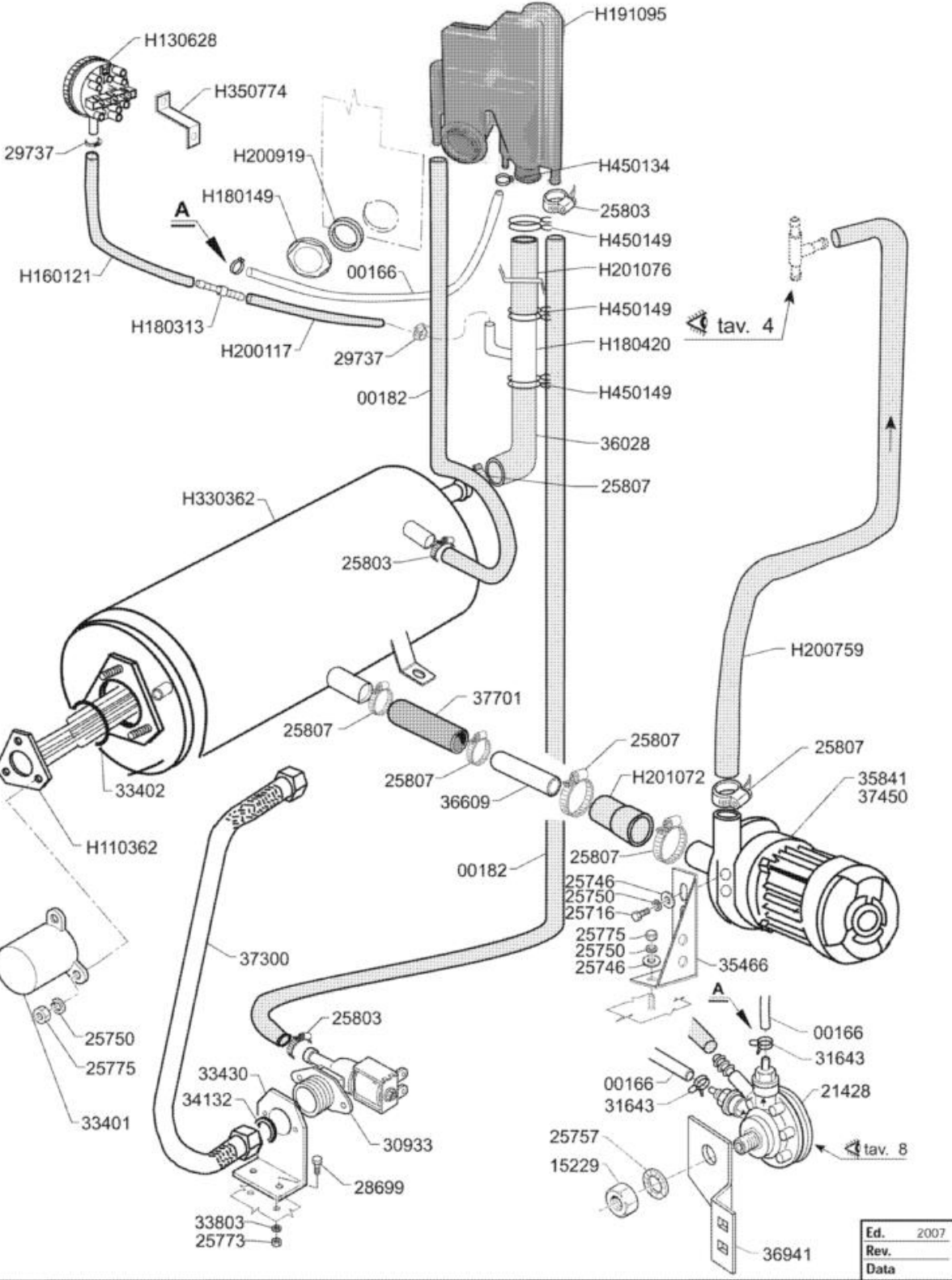
Code	Description	
34773	DOOR SPRING C 90	
34774	THREADED ROD FOR SPRING DOOR 90	
35264	BASKET GUIDE RACK, RIGHT C/GF 90	
35265	BASKET GUIDE RACK, LEFT C/GF 90	
36004	SHOCK-ABSORB.RUBBER FOR DOOR C90	
36034	DOOR HANDLE SG/SD5-RSP 50	
36432	SAF. THERMOSTAT PROTECT. APS/C81/C9	
36660	PANEL UPPER C 90 E	
36733	DOOR HOUSING, C 90 E	
36734	INNER DOOR PANEL C 90 E	
36872	DOOR CPL C 90 E	
450516	GUAINA TERM. 2 TUBI INOX H=109	
460502	GUARNIZ. 30X21X2 KLINGER 1/2"	



Ed.	07/2006
Rev.	
Data	

Code	Description	
110482	CAVO PIATTO x SCHEDA 1200 mm.	
121283	SCHEDA ELET.EDI2 883284	
130311	MORSETT. 5POSTI ELETTROGIBI	
25744	SPACER, FLAT, DIAM.5	
25757	TOOTHED SPACER DIAM. 12 D.E.D787	
25773	NUTS 4 MA SS 18/8	
25774	NUTS 5 MA	
25782	NUT 8 MA	
28662	INSULATION	
30006	SPACER FOR PRINTED CIRC. HOLDER	
31324	NOISE FILTER, TYPE 5001	
31828	DENTED ROUND SPACER, EX ? 3	
31873	REMOTE SWITCH 220-240V- B6-30-10	
33188	MAGNETIC SENSOR	
33349	INDICAT.PLATE, EARTHING	
33354	ELECTRIC PLANT PROTECT.C140-70	
33891	ROPE, ELECTR.PLANT LIMIT STOP	
35280	ELECTRIC PLANT SUPPORT C81/C90	
35567	PROBE TEMP. NTC 3.3K YELLOW	
36201	RUBBER SQUARE CABLE 4gx4 H07rn-f	
36339	CAP HORIZ. CONTR. KEYBOARD	
36366	SPACER FOR KEYBOARD CUTOFF SNAP H10	
36619	STICKING NAMEPLATE, PANEL C 90 E	
36659	NAMEPLATE HOLDER C90 E	
36690	CONNECT.WIRES, PROBE C90E	
36693	CONTROL BOARD C 90 E	
36904	CABLE LOOM for PRB/PP CAP BT	
36949	SUPPORTO a CLIP ADESIVO	
37013	RONDELLA PIANA M3 003030500001	
37084	DADO NYLON M3	
450137	ATTACCO A COLLARE C/BASE 31900	
463033	TARGHETTA INDIC. LINEA TRIFASE	

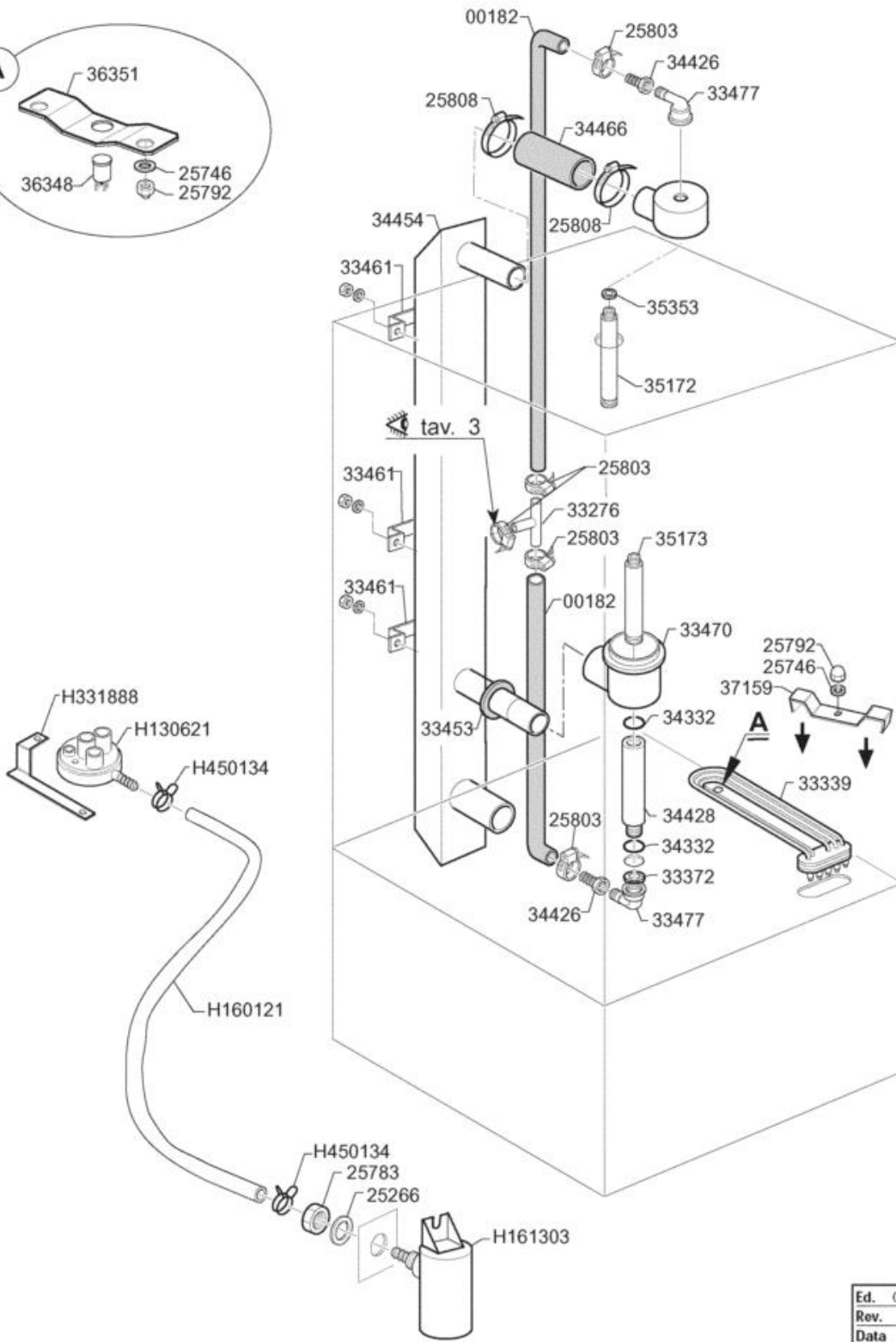
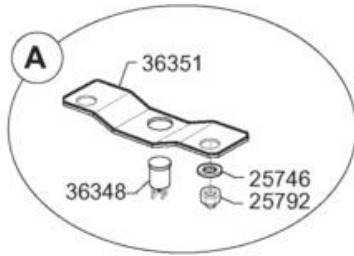






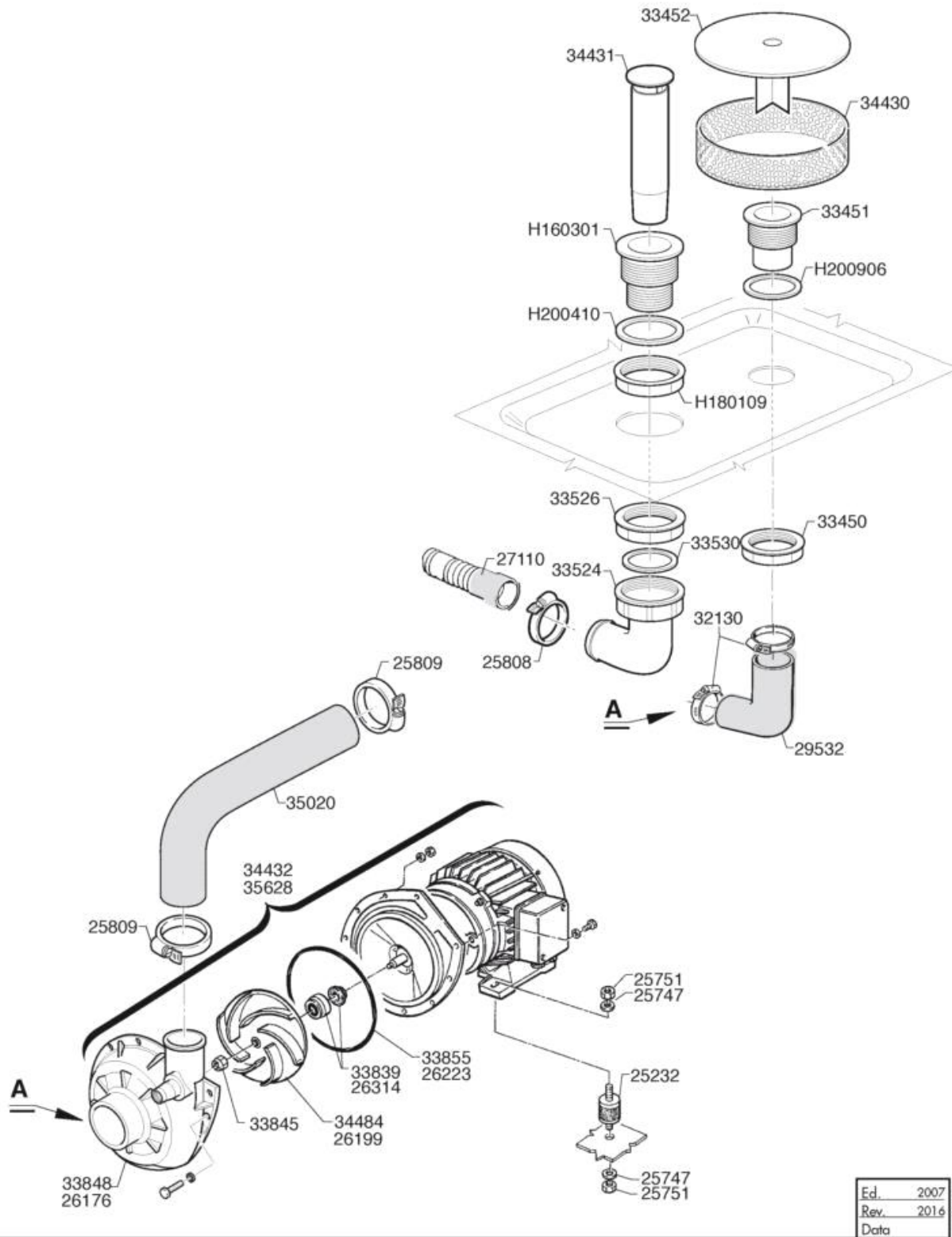
## Rinse Assembly

Code	Description	
00166	ROLL TUBE TRANSP. 4X7	
00182	HOSE 11X19 CASER/15"BLUE"	
110362	RESISTENZA FL. 9000W 230V	
130628	PRESSOSTATO A 3 LIVELLI 110/70	
15229	LOCK NUT AID DISPENSER	
160121	TUBO GOMMA NERA 5X9 PRESSOST.	
180149	GHIERA x SERB. AIR GAP	
180313	PORTAG.PLAST.DOPPIO D.8-6 BT	
180420	TEE AIR GAP	
191095	SERBATOIO BREAK TANK PLAST.	
200117	TUBO GOMMA 8x15 CALORFORM/10	
200759	MANICOTTO MAND.P.RISC.	
200919	GUARNIZIONE x PILETTA ASP.FC	
201072	TUBO ASP.POMPA RISC. BT CAP	
201076	TUBO COLLEGAMENTO BT-TEE	
21428	RINSE AID DISPENSER, COMENDA(2-2825	
25716	SCREW HEX.HD M 6 X 20 SS	
25746	SPACER, FLAT, DIAM.6/18	
25750	SPACER, SPLITTED, DIAM. 6	
25757	TOOTHED SPACER DIAM. 12 D.E.D787	
25773	NUTS 4 MA SS 18/8	
25775	NUT 6 MA	
25803	HOSE CLIP 13-20 ABA	
25807	HOSE CLIP 26-38 ABA	
28699	CHEESE-HD SCREW TC 4 X 10	
29737	FE-ZN CLAMP 9 - 12	
30933	SOLENOID VALVE SING. 3/4"	
31643	HOSE CLIP 7,3-7,8	
330362	BOILER BREAK TANK CAP	
33401	COVER, HEATING ELEMENT H 50 (HIGH)	
33402	GASKET OR 6X56X68	
33430	STANDARD SQ.BRACKET	
33803	SPACE WASHER, GROWER DIAM.4	
34132	CONTROL QTY 8 LT.	
350774	SQUADRETTA PRESSOS.SNLC7595155	
35466	PLATE PUMP 60 BT	
35841	PUMP, 0,2 KW ZF131DX 230V-60BT	
36028	RUBBER HOSE, BOILER/T-SHAPE AIR GAP	
36609	DELIVERY TUBE FOR WASH ARM C68E	
36941	FIX.SQUARE FOR RINSE AID DISPEN. C4	
37300	PULSANTE CM BIP. UL(A)	
37450	POMPA KW 0,2 ZF131DX 230V 60Hz	
37701	TUBO ASP.POMPA RISC. d.23-L=70	
450134	FASCETTA A FILO X TUB. 9,3-8,8	
450149	FASCETTA A 2 FILI D.34.6x36.4	



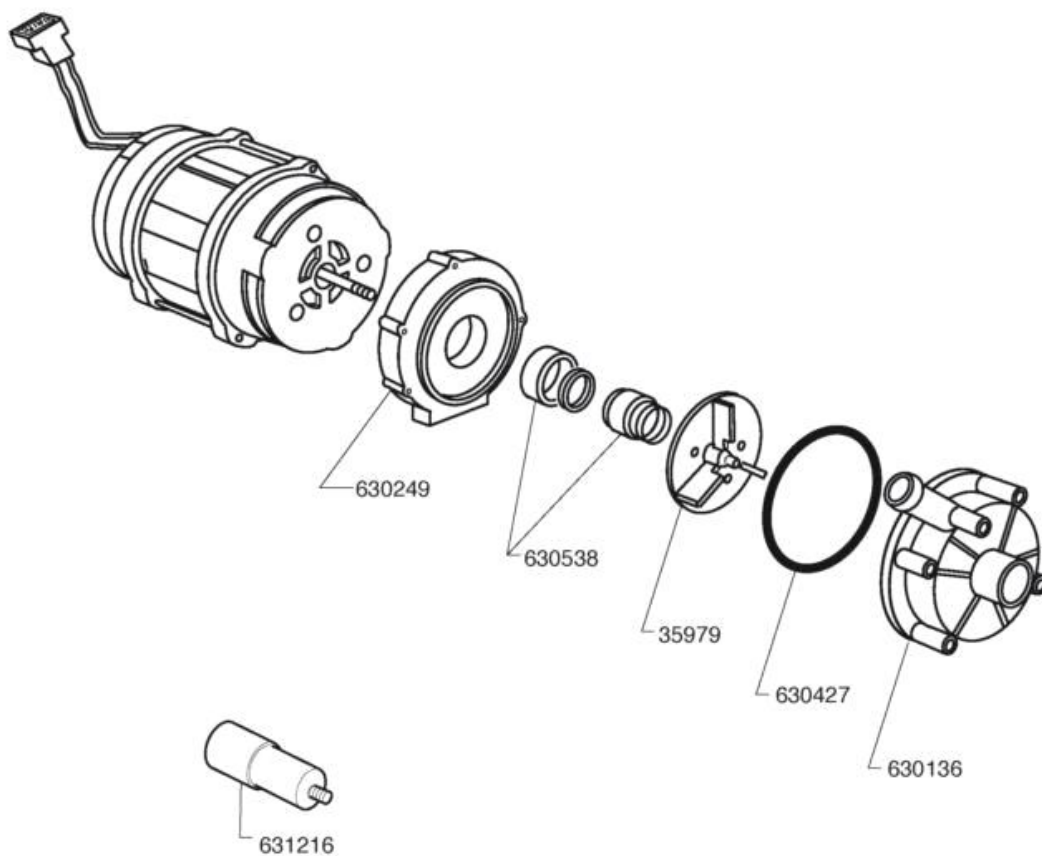
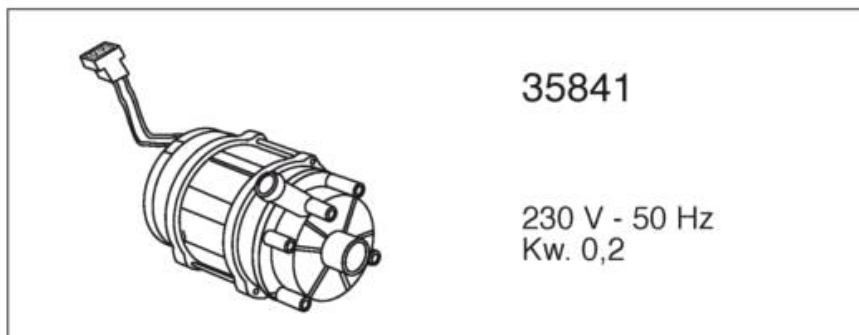
Ed.	07/2006
Rev.	
Data	

Code	Description	
00182	HOSE 11X19 CASER/15"BLUE"	
160121	TUBO GOMMA NERA 5X9 PRESSOST.	
161303	TRAPPOLA ARIA LAVABICC.	
25266	FLAT GASKET 18 X 10 X 2	
25746	SPACER, FLAT, DIAM.6/18	
25783	NUT 10 MA	
25792	SELF-LOCKING NUT 6 MA LOWER SIDE	
25803	HOSE CLIP 13-20 ABA	
25808	HOSE CLIP 27-51CLAM	
331888	SQUADRETTA FISS.PRESSOS.TO"HR"	
33276	T-SHAPED CONNECTOR ?11,5-PART180413	
33339	HEAT.ELEM.3000W 230/400V(110227)	
33372	GASKET 24X17X2 FASIT OMNIA	
33453	GASKET 60X54 REAR C140	
33461	JUMPER, WASH RAMP ARMC140-C85	
33470	SUPP. LOWER W.ARM."C"WASH-L C110-14	
33477	ELBOW FEM/FEM. 3/8 1/4 C140-155	
34332	GASKET OR 128 SUPP.PLUG	
34426	PIPE UNION 1/4 G FOR C90	
34428	EXTENSION, ROT.ARM SHAFT C90	
34454	INLET WASH HOSE	
34466	CONNECT.SLEEVE, UPPER WASH C 90	
35172	DRIV.SHAFT, UPP.REV.ARM, GF90 RIGHT	
35173	DRIV.SHAFT, LWR.REV.ARM, GF90 RIGHT	
35353	SPACER RING C-GF 90	
36348	TERMOST.B.RIARMO MAN99?C-210?F	
36351	PIASTRA SUPP.TERM.RIAR.MAN.301	
37159	CAVAL.FIS.RES.V.C81/90/98/CAP7	
450134	FASCETTA A FILO X TUB. 9,3-8,8	



## Wash pump and DRAIN

Code	Description	
25232	ISOLATOR 2 PINS 8 MA 30x20	
25747	SPACER, FLAT, DIAM. 8	
25751	SPACER. SPLITTED, DIAM. 8	
25808	HOSE CLIP 27-51CLAM	
25809	HOSE CLIP 40-64CLAM	
26176	COVER, WASH PUMP HP 3 RIGHT	
26199	IMPELLER WASH P.HP2 DX OPENED	
26223	GASKET, COVER PUMP	
26314	SHAFT SEAL, WASH PUMP HP 1,5/2	
27110	DRAIN HOSE DIAM.33X1500	
29532	SUCT SLEEVE.ED700-900-650E	
32130	HOSE CLIP 60-80	
33450	THREADED NUT 65,4 C140 C85-C155	
33451	SUCTION ELBOW C85-140	
33452	PROTECT.DISC PUMP SUCT. C85-C155	
33524	ELBOW 1"1/2, DRAIN N-S-F-C	
33526	NUT 1"1/2, ELBOW F45-C75	
33530	DRAIN GASKET 1"1/2 45X33X3	
33839	MECH. SEAL PR/AR 13 BEFF	
33845	NUT M8, RIGHT H=5 MM	
33848	PUMP HOUS.ZF650 RIGHT A60/M50 HOSE	
33855	GASKET OR. 158.34*3.53	
34430	SAFETY FILTER, SUCTION PUMP C90	
34431	OVERFLOW TUBE C 90 H=211	
34432	WASH PUMP HP 2,2 DX C 90	
34484	IMPELLER 120 6-BLADE, RIGHT ZF 800	
35020	DELIVERY SLEEVE, C 81/C 90	
35628	ELECTR.PUMP HP2 230/400V3 60Hz/C90	
H160301	DRAIN PIPE UNION 1"1/2 (33525)	
H180109	LOCK NUT 1 1/2" (33527)	
H200410	DRAIN OUTL.WASH.1 1/2"65X47X3	
H200906	GASKET D.92X66X2	

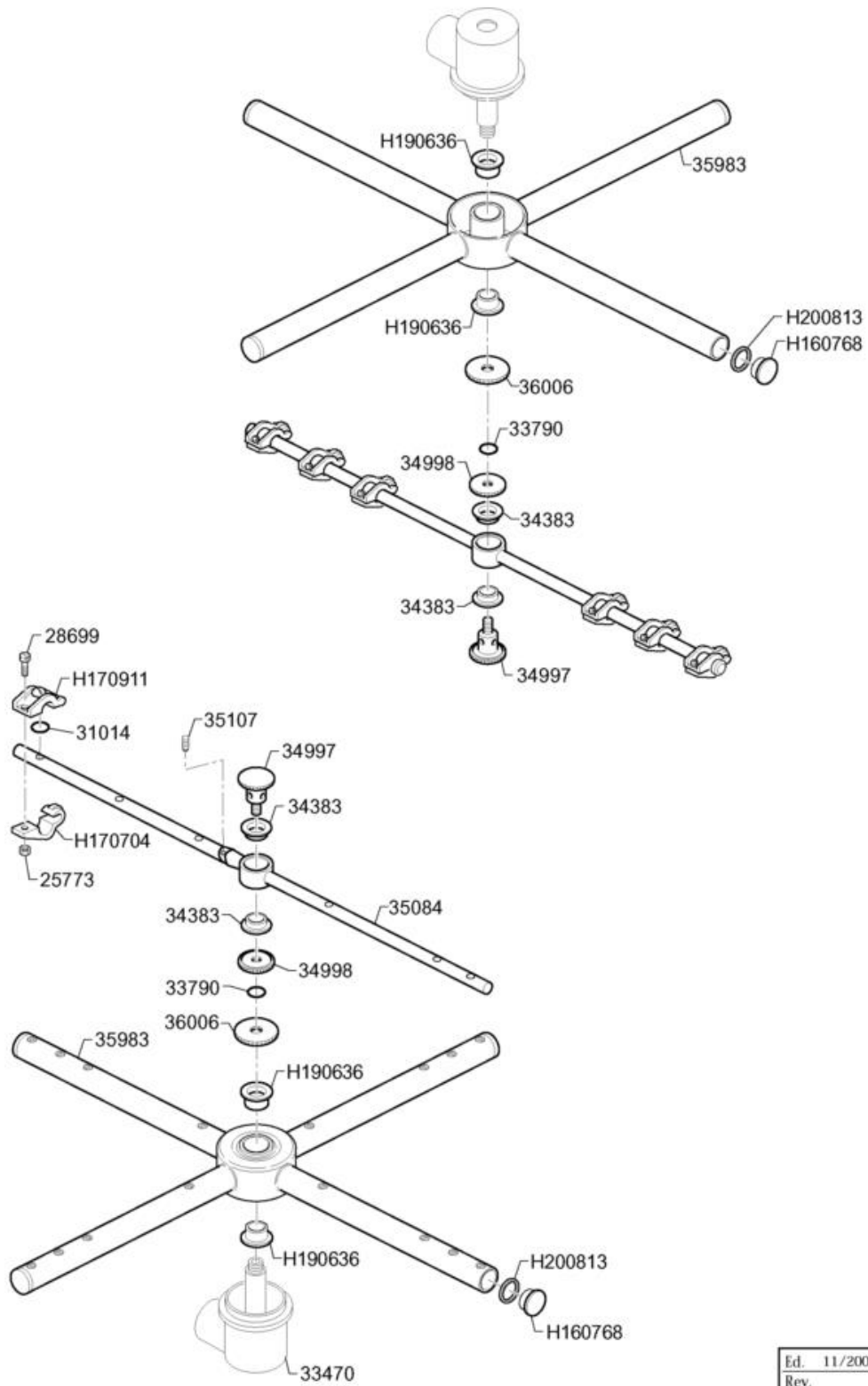


Ed.	07/2006
Rev.	
Data	

## Rinse Pump

Code	Description	
35841	PUMP, 0,2 KW ZF131DX 230V-60BT	
35979	IMPELLER ZF130 D.73 3P x (35841)	
630427	GUARNIZIONE OR X POMPA ZF131DX	
630538	TENUT.POMP.LGBZF131DX GIR.INOX	
631216	CONDENSATORE 6,3 mF.450V	

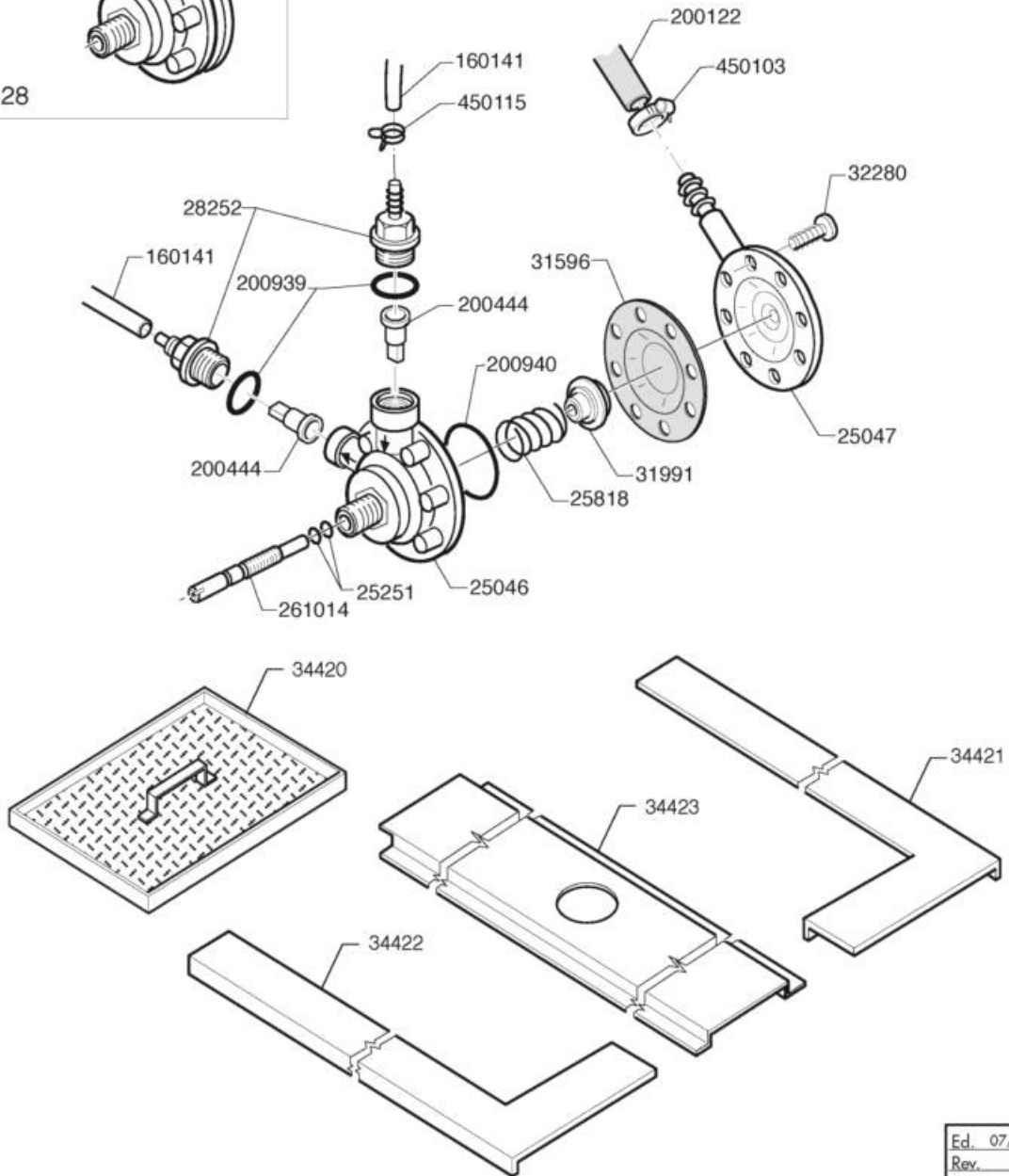
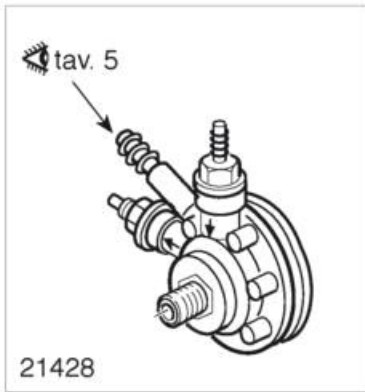




Ed.	11/2006
Rev.	
Data	

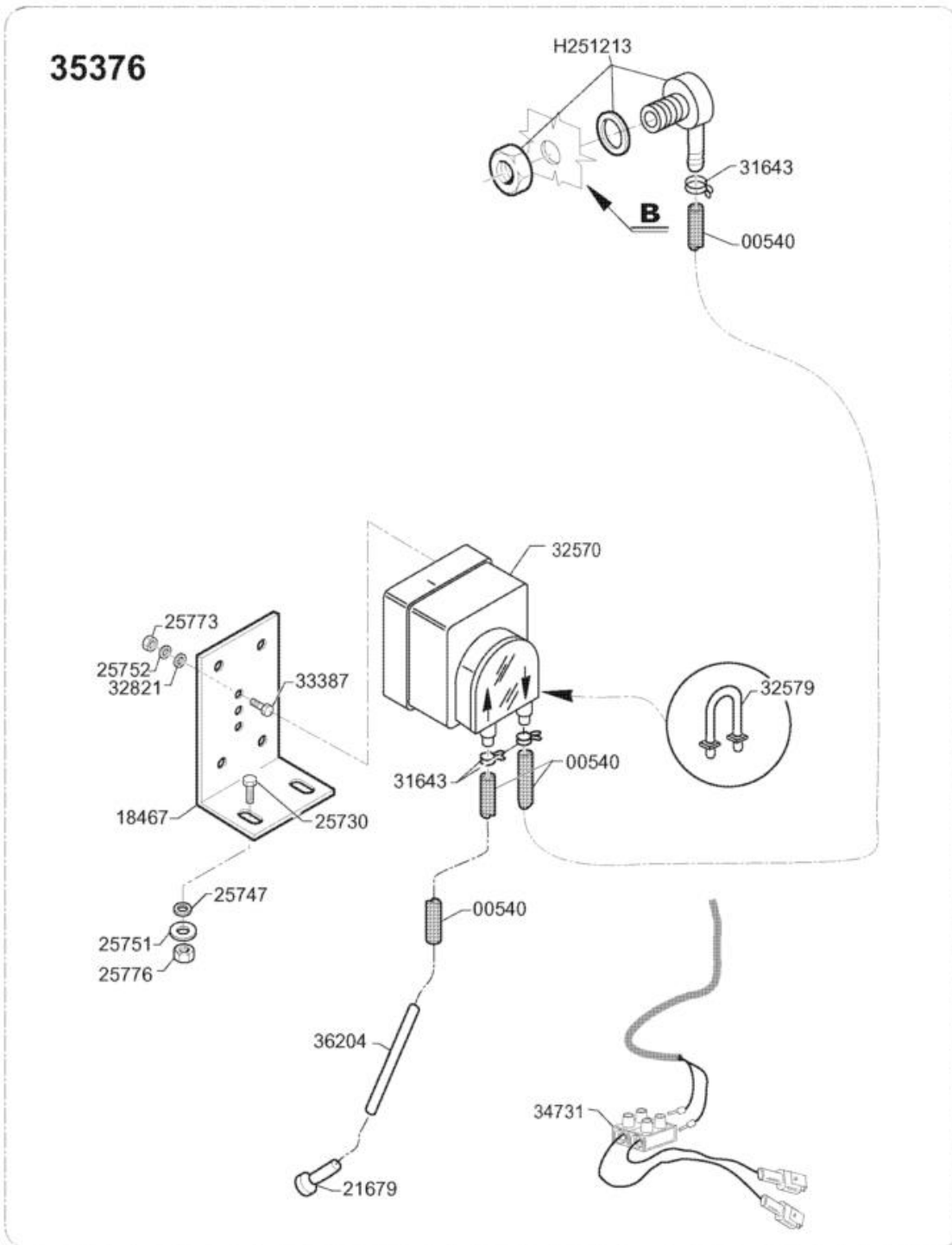
## Wash Arm

Code	Description	
160768	TAPPO X MULINELLO LAV. "C"	
170704	CAVALL.FISS.UGEL.RISC.F-B-C33	
170911	GETTO RISC. B23-F 2-C34	
190636	BUSSOLA x MULINELLO LAV. C90E	
200813	GUARNIZ. OR 2,21x16,36x20,78	
25773	NUTS 4 MA SS 18/8	
28699	CHEESE-HD SCREW TC 4 X 10	
31014	GASKET OR 106	
33470	SUPP. LOWER W.ARM."C"WASH-L C110-14	
33790	GASKET OR 2X9,5X13,5 F.S.	
34383	BUSH SPRING HUB, RINSE ROT.ARM	
34997	PIN, RINSE REVOLV.ARM,RIGHT	
34998	SPAC.NUT, REVOLV RINSE ARM, DX	
35084	RINSE REV.ARM, C81/C90 ROT.CLCKW.RE	
35107	DOWEL FOR FLT.GSKT 4X4, DIN 913	
35983	REVOLV.WASHARM C 90	
36006	S.S.304 BUSHING, REVOLV.WASHARM	



## Rinse Aid Injector

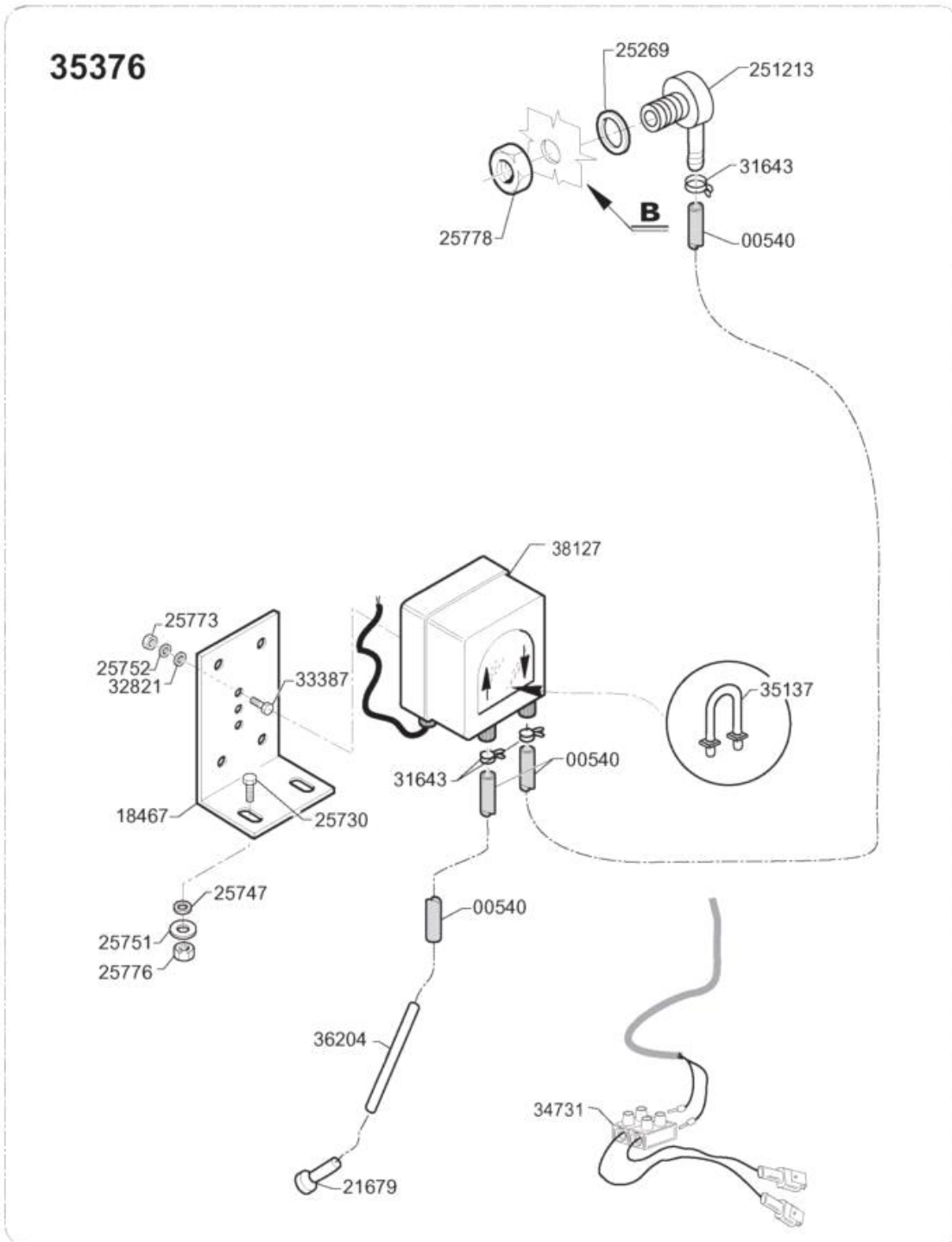
Code	Description	
160141	TUBETTO TRASP. BLU 4X7 ROTOLO	
200122	TUBO GOMMA 11X19 CASER/15 BLU	
200444	VALVOLA ASP.DOSATORE SILICONE	
200939	OR RACC.MAND/ASP.DOS.	
21428	RINSE AID DISPENSER, COMENDA(2-2825	
25046	UPPER DISPENSER ASSEMBLY	
25047	LOWER DISPENSER ASSEMBLY	
25251	GASKET OR 2012	
25818	CYLINDER SPRING (WIRE)	
261014	VITE REGOLAZIONE DOS.BRILL.HVD	
28252	FITTING SUCTION DISPENSER	
31596	DIAPHRAGM, DISPENSER	
31991	SPRING GUIDE FOR DISPENSER	
32280	OVAL HD. CROSS-SL. SCREW 4 X 13	
34420	TANK FILTER ED650/C 90/C98	
34421	RIGHT SIDE CROSSBAR, FILTERS C90	
34422	LEFT SIDE CROSSBAR, FILTERS C90	
34423	CENTRAL CROSSBAR, FILTERS C90	
450103	FASCETTA FE ZN.13-20 H=9	
450115	FASCETTA A DUE FILI D.8,3/7,8	



Ed.	11/2006
Rev.	
Data	

## Detergent Pump

Code	Description	
00540	RED TUBE 8X4 ROLL	
18467	HOLDING SUPP. PUMP DISPENS.	
21679	FILTER DET.-RINSE AID PREASS.	
251213	PORTAG.A GOMITO INOX POMPA DET	
25730	SCREW HEX.HD M 8 X 25	
25747	SPACER, FLAT, DIAM. 8	
25751	SPACER. SPLITTED, DIAM. 8	
25752	TOOTHED SPACER DIAM.4 D.E.	
25773	NUTS 4 MA SS 18/8	
25776	NUTS 8 MA SS 18/8	
31643	HOSE CLIP 7,3-7,8	
32570	DETERG. DISPENS WALL MOUNT. LP 120	
32579	INNER TUBE FOR DETERGENT P. 32570	
32821	FLAT WASHER DIAM 5,5/15	
33387	HEX.HD SCREW 4X16 SS A2 UNI 5739	
34731	ELECT.CONN. TERMINAL FOR AUTOCL.	
35376	KIT DOS.DET. C81/90/98-CAP-EDI	
36204	SINGLE COUNTERWEIGHT, DETERGENT HOS	



Ed.	2009
Rev.	07/2010
Data	



## Detergent Pump Optional 2009 cod. 38127

Code	Description	
00540	RED TUBE 8X4 ROLL	
18467	HOLDING SUPP. PUMP DISPENS.	
21679	FILTER DET.-RINSE AID PREASS.	
251213	PORTAG.A GOMITO INOX POMPA DET	
25269	FLAT GASKET	
25730	SCREW HEX.HD M 8 X 25	
25747	SPACER, FLAT, DIAM. 8	
25751	SPACER. SPLITTED, DIAM. 8	
25752	TOOTHED SPACER DIAM.4 D.E.	
25773	NUTS 4 MA SS 18/8	
25776	NUTS 8 MA SS 18/8	
25778	NUTS 12 M 18/8 ss	
31643	HOSE CLIP 7,3-7,8	
32821	FLAT WASHER DIAM 5,5/15	
33387	HEX.HD SCREW 4X16 SS A2 UNI 5739	
34731	ELECT.CONN. TERMINAL FOR AUTOCL.	
35137	PUMP HOSE DET.SEKO PG3	
35376	KIT DOS.DET. C81/90/98-CAP-EDI	
36204	SINGLE COUNTERWEIGHT, DETERGENT HOS	
38127	POMPA PERISTALTICA SEKO PR 7	