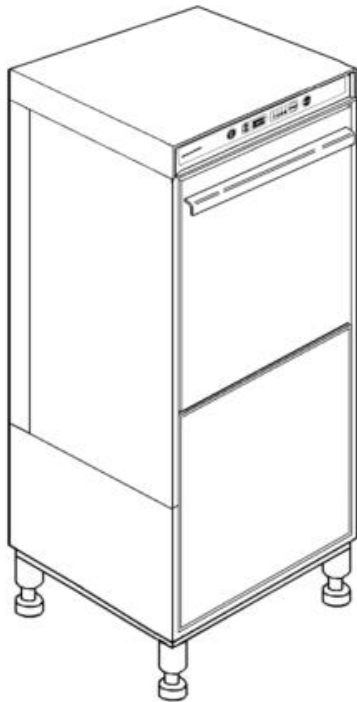


CATALOGO RICAMBI
SPARE PARTS
PIECES DETACHEES
ERSATZTEILE
LISTA DE RECAMBIOS

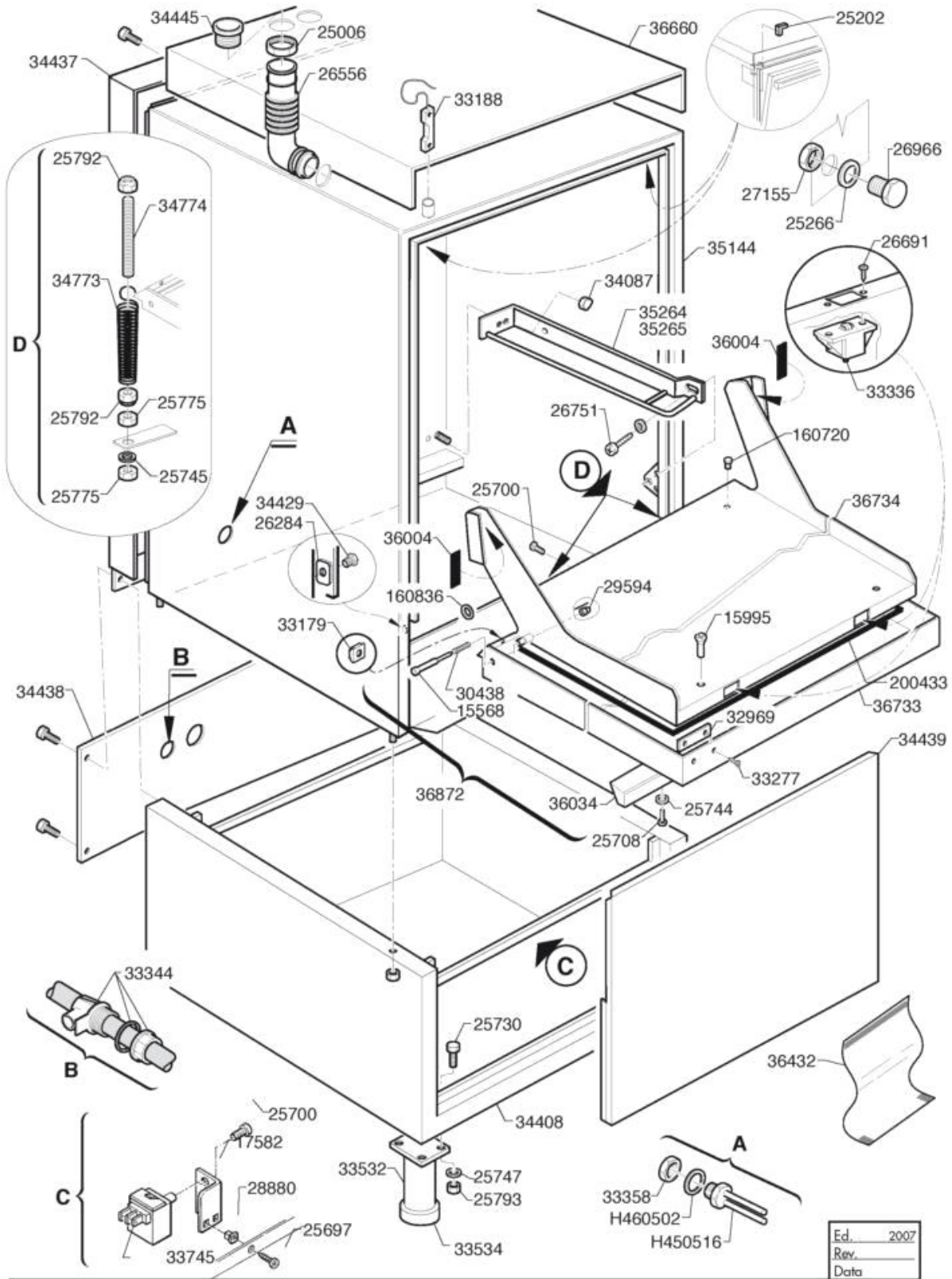


Lavaoggetti
Utensil and pot washer
Lave batterie
Gerätespülmaschinen
Lava utensilios

C 90D E
LO 50D E

Ed. 2007

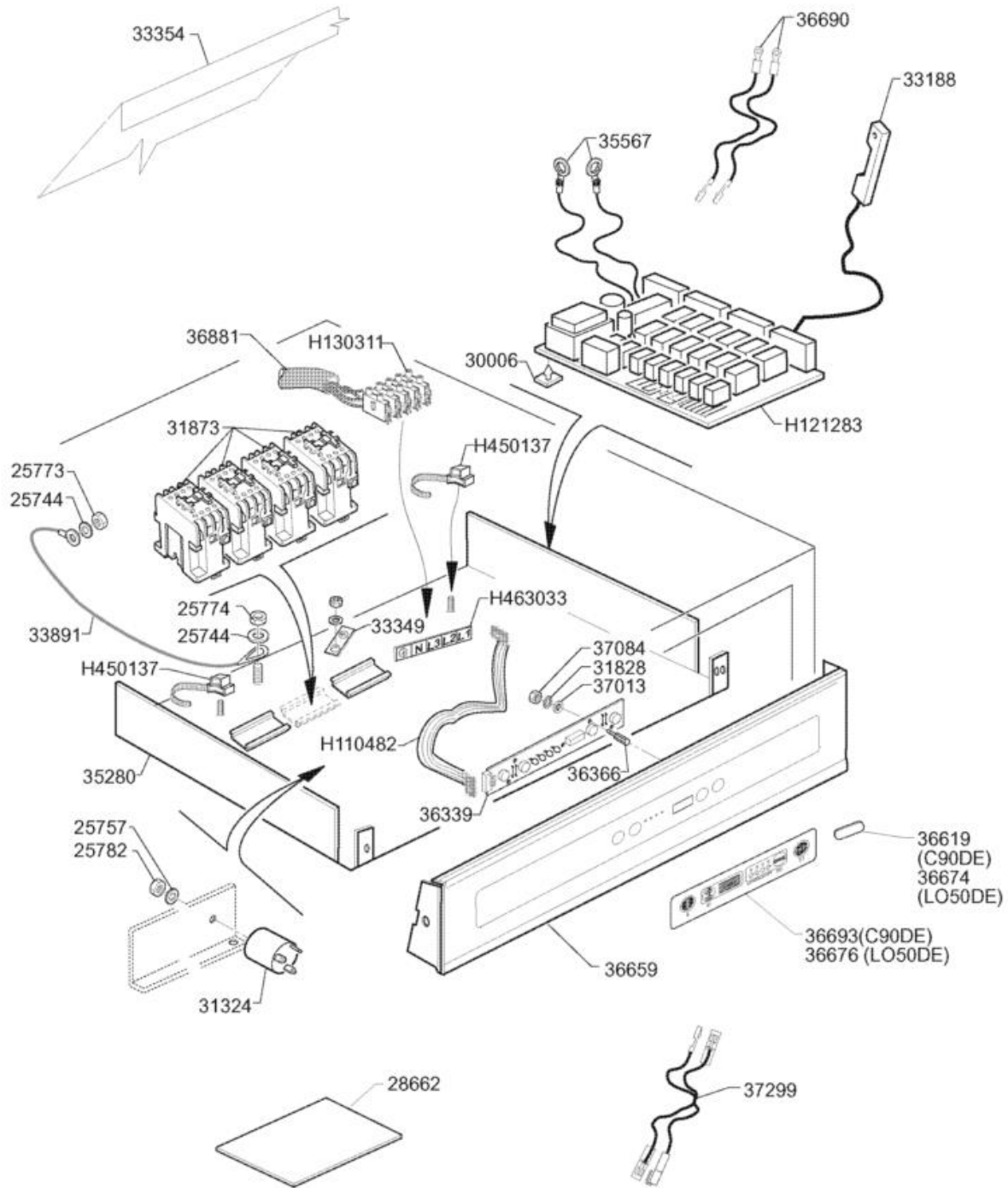
- 1 Hood C90DE
- 2 Control Box
- 3 Tank C90DE
- 4 Rinse Assembly/water Softener
- 5 Wash pump and DRAIN
- 6 Wash Arm
- 7 Rinse Pump
- 8 Rinse Aid Injector/Tank Filter



Ed.	2007
Rev.	
Data	

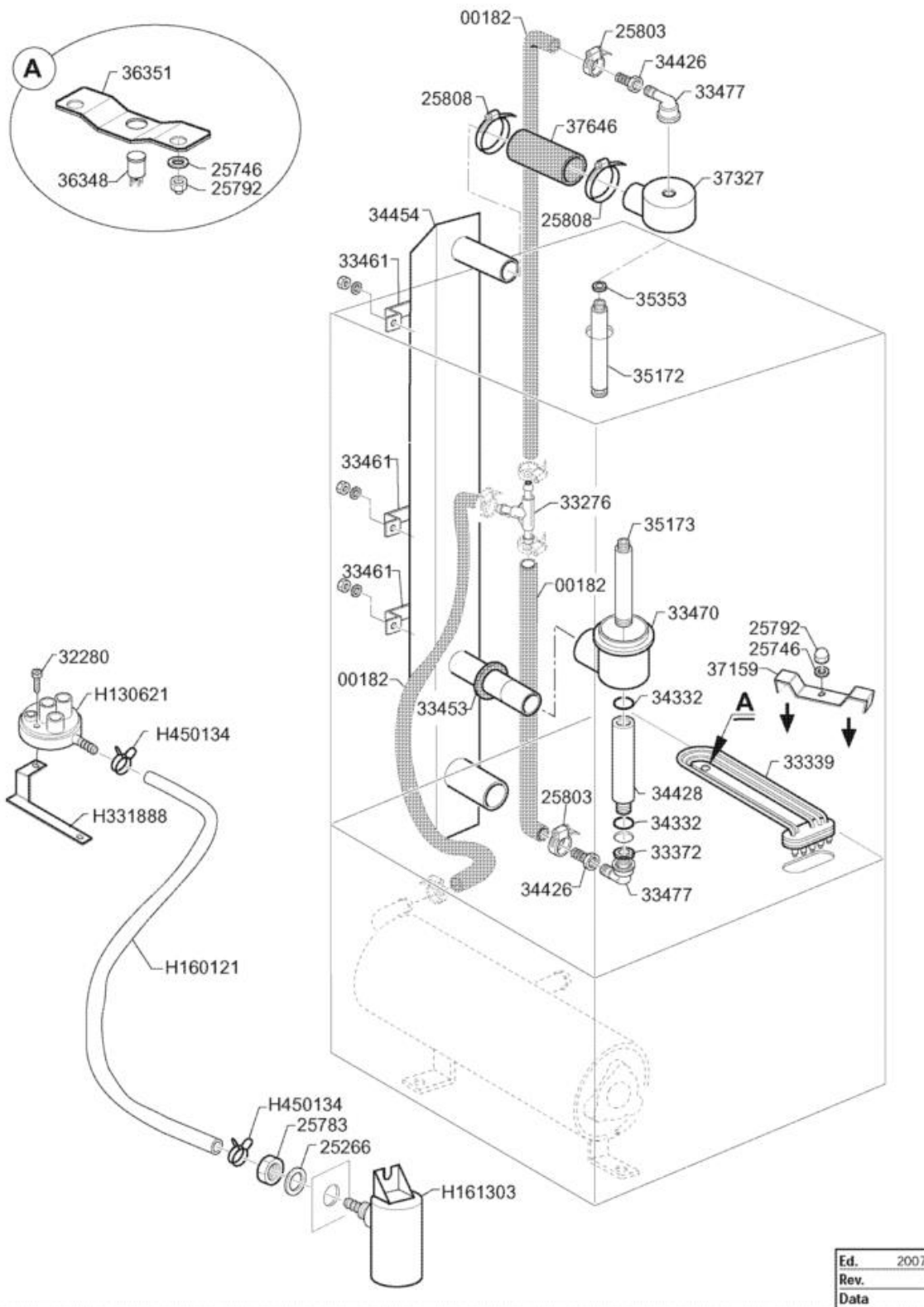
Code	Description	
15568	MOBILE DOWEL FOR DOOR	
15995	BUSH SPRING FIX. HANDLE STS	
160720	TAPPO A SCATTO HEYCO D.8	
160836	RONDELLA GRANO PORTA-BC/BR143	
17582	HOLDER THERMOSTAT 43/60	
200433	GOMMA SPUGNA ADES.6x2,5 NEOPR	
25006	NUT FO DRAIN SUCT. P.	
25202	CORNER PROTECTION RUBBER	
25266	FLAT GASKET 18 X 10 X 2	
25697	SELF-TAPPING SCREW CHEESE D747H.ROS	
25700	SCREW CHEESE-H. 4 X 8 KNURLED	
25708	SCREW HEX.HD M 5 X 10 SS	
25730	SCREW HEX.HD M 8 X 25	
25744	SPACER, FLAT, DIAM.5	
25745	SPACER, FLAT, DIAM.6	
25747	SPACER, FLAT, DIAM. 8	
25775	NUT 6 MA	
25792	SELF-LOCKING NUT 6 MA LOWER SIDE	
25793	SELF-LOCKING NUT 8 MA LOWER SIDE	
26284	SHEARED PLATES M8 14X20X4	
26556	BREATHER SLEEVE, K 80 ZEROWATT	
26691	SCREW TS M 4 X 8	
26751	SCREW 1/2 FLAT ROUND HD 6 X 12	
26966	HOLE CLOSING PLUG	
27155	PLASTIC NUT10 M	
28880	NUT SCREW	
29594	NUT BLIND 4 MA	
30438	SPRING FOR PIN AND DOOR	
32969	MAGNET FOR CONTACT M350 AP	
33179	ENCLOSED NUT 4MA	
33188	MAGNETIC SENSOR	
33277	SELF-TAPPING SCREW TSP 2,9 X 9,5	
33336	ROLLER DOOR LATCH	
33344	CABLE CLIP 5030 STEAB	
33358	LOCK NUT 1/2" ES.30 SP.7"SS"	
33532	PLASTIC FOOT HOLDER	
33534	FOOT, COMENDA, 30 MM	
33745	LIMITER 110? MANUAL RESET	
34087	FLANGED NUT M5 A2 DIN 6923	
34408	BASE CPL C 90	
34429	VITE SPECIALE X PORTA C 90	
34437	REAR PANEL C 90	
34438	REAR PANEL, BASE C 90	
34439	FRONT PANEL, TANK, LO50, BLUE	
34445	PIPE UNION, BREATHER SLEEVE C90	

Code	Description	
34773	DOOR SPRING C 90	
34774	THREADED ROD FOR SPRING DOOR 90	
35144	VASCA GF 90 A CON FORO SERB.	
35264	BASKET GUIDE RACK, RIGHT C/GF 90	
35265	BASKET GUIDE RACK, LEFT C/GF 90	
36004	SHOCK-ABSORB.RUBBER FOR DOOR C90	
36034	DOOR HANDLE SG/SD5-RSP 50	
36432	SAF. THERMOSTAT PROTECT. APS/C81/C9	
36660	PANEL UPPER C 90 E	
36733	DOOR HOUSING, C 90 E	
36734	INNER DOOR PANEL C 90 E	
36872	DOOR CPL C 90 E	
H450516	THERMOSTAT SHIELD FOR 2 TERMOSTATS	
H460502	GASKET 30X21X2 C34-R ASBESTOS(1/2")	



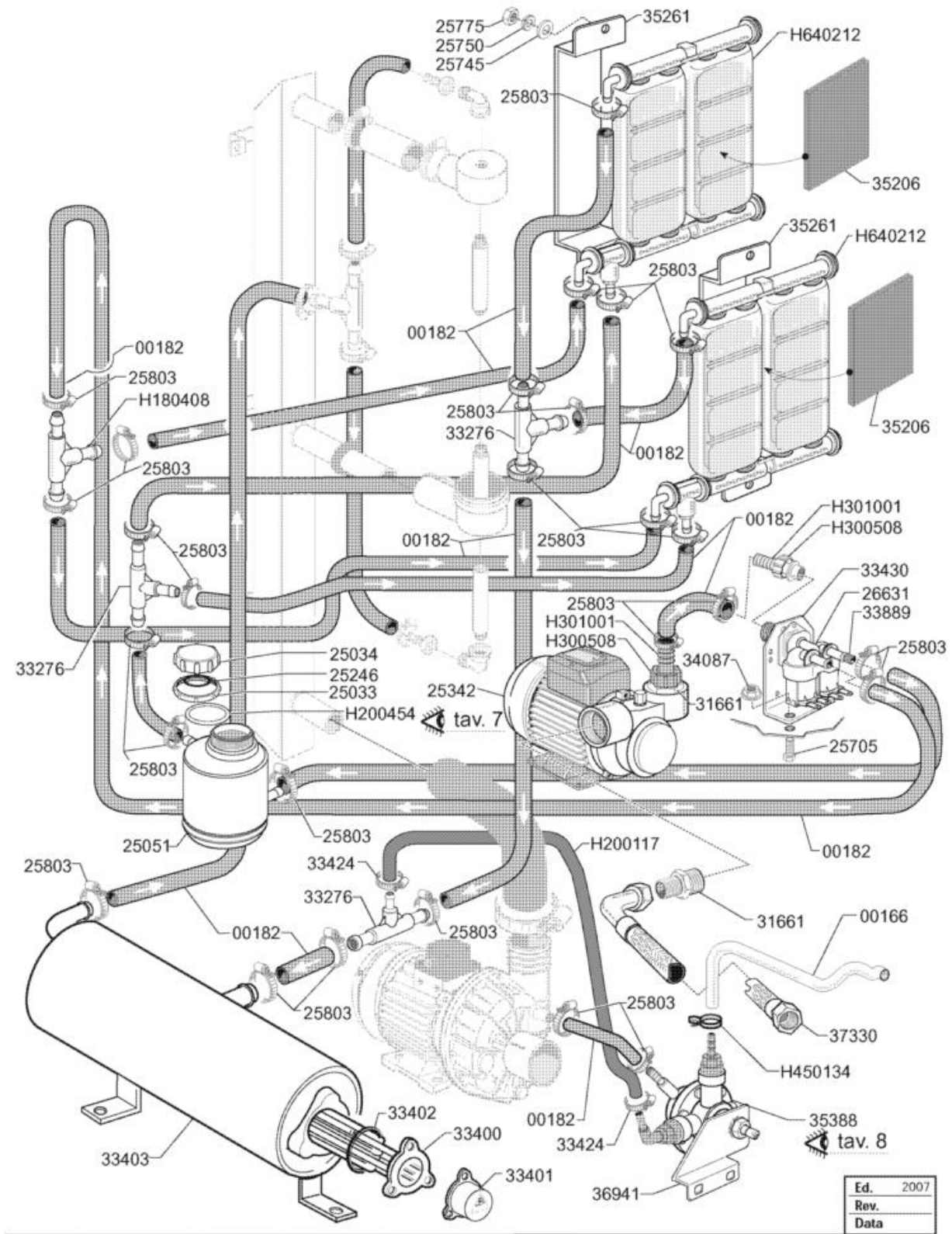
Ed.	2007
Rev.	
Data	

Code	Description	
110482	CAVO PIATTO x SCHEDA 1200 mm.	
121283	SCHEDA ELET.EDI2 883284	
130311	MORSETT. 5POSTI ELETTROGIBI	
25744	SPACER, FLAT, DIAM.5	
25757	TOOTHED SPACER DIAM. 12 D.E.D787	
25773	NUTS 4 MA SS 18/8	
25774	NUTS 5 MA	
25782	NUT 8 MA	
28662	INSULATION	
30006	SPACER FOR PRINTED CIRC. HOLDER	
31324	NOISE FILTER, TYPE 5001	
31828	DENTED ROUND SPACER, EX ? 3	
31873	REMOTE SWITCH 220-240V- B6-30-10	
33188	MAGNETIC SENSOR	
33349	INDICAT.PLATE, EARTHING	
33354	ELECTRIC PLANT PROTECT.C140-70	
33891	ROPE, ELECTR.PLANT LIMIT STOP	
35280	ELECTRIC PLANT SUPPORT C81/C90	
35567	PROBE TEMP. NTC 3.3K YELLOW	
36339	CAP HORIZ. CONTR. KEYBOARD	
36366	SPACER FOR KEYBOARD CUTOFF SNAP H10	
36619	STICKING NAMEPLATE, PANEL C 90 E	
36659	NAMEPLATE HOLDER C90 E	
36674	STICKING NAMEPLATE, PANEL LO 50 E	
36676	CONTROL BOARD SP81/LO50 E	
36690	CONNECT.WIRES, PROBE C90E	
36693	CONTROL BOARD C 90 E	
36881	SUPPLY WIRE 5Gx2,5x4,5mt H07RN-F	
37013	RONDELLA PIANA M3 003030500001	
37084	DADO NYLON M3	
37299	FILI COLLEG.ELETTROV.RIG.C90DE	
450137	ATTACCO A COLLARE C/BASE 31900	
463033	TARGHETTA INDIC. LINEA TRIFASE	



Code	Description	
00182	HOSE 11X19 CASER/15"BLUE"	
160121	TUBO GOMMA NERA 5X9 PRESSOST.	
161303	TRAPPOLA ARIA LAVABICC.	
25266	FLAT GASKET 18 X 10 X 2	
25746	SPACER, FLAT, DIAM.6/18	
25783	NUT 10 MA	
25792	SELF-LOCKING NUT 6 MA LOWER SIDE	
25803	HOSE CLIP 13-20 ABA	
25808	HOSE CLIP 27-51CLAM	
32280	OVAL HD. CROSS-SL. SCREW 4 X 13	
331888	SQUADRETTA FISS.PRESSOS.TO"HR"	
33276	T-SHAPED CONNECTOR ?11,5-PART180413	
33339	HEAT.ELEM.3000W 230/400V(110227)	
33372	GASKET 24X17X2 FASIT OMNIA	
33453	GASKET 60X54 REAR C140	
33461	JUMPER, WASH RAMP ARMC140-C85	
33470	SUPP. LOWER W.ARM."C"WASH-L C110-14	
33477	ELBOW FEM/FEM. 3/8 1/4 C140-155	
34332	GASKET OR 128 SUPP.PLUG	
34426	PIPE UNION 1/4 G FOR C90	
34428	EXTENSION, ROT.ARM SHAFT C90	
34454	INLET WASH HOSE	
35172	DRIV.SHAFT, UPP.REV.ARM, GF90 RIGHT	
35173	DRIV.SHAFT, LWR.REV.ARM, GF90 RIGHT	
35353	SPACER RING C-GF 90	
36348	TERMOST.B.RIARMO MAN99?C-210?F	
36351	PIASTRA SUPP.TERM.RIAR.MAN.301	
37159	CAVAL.FIS.RES.V.C81/90/98/CAP7	
37327	SUPPORTO MULIN.SUP.C81/90E '07	
37646	MANICOTTO RACC.LAV.SUP.C90E 07	
450134	FASCETTA A FILO X TUB. 9,3-8,8	

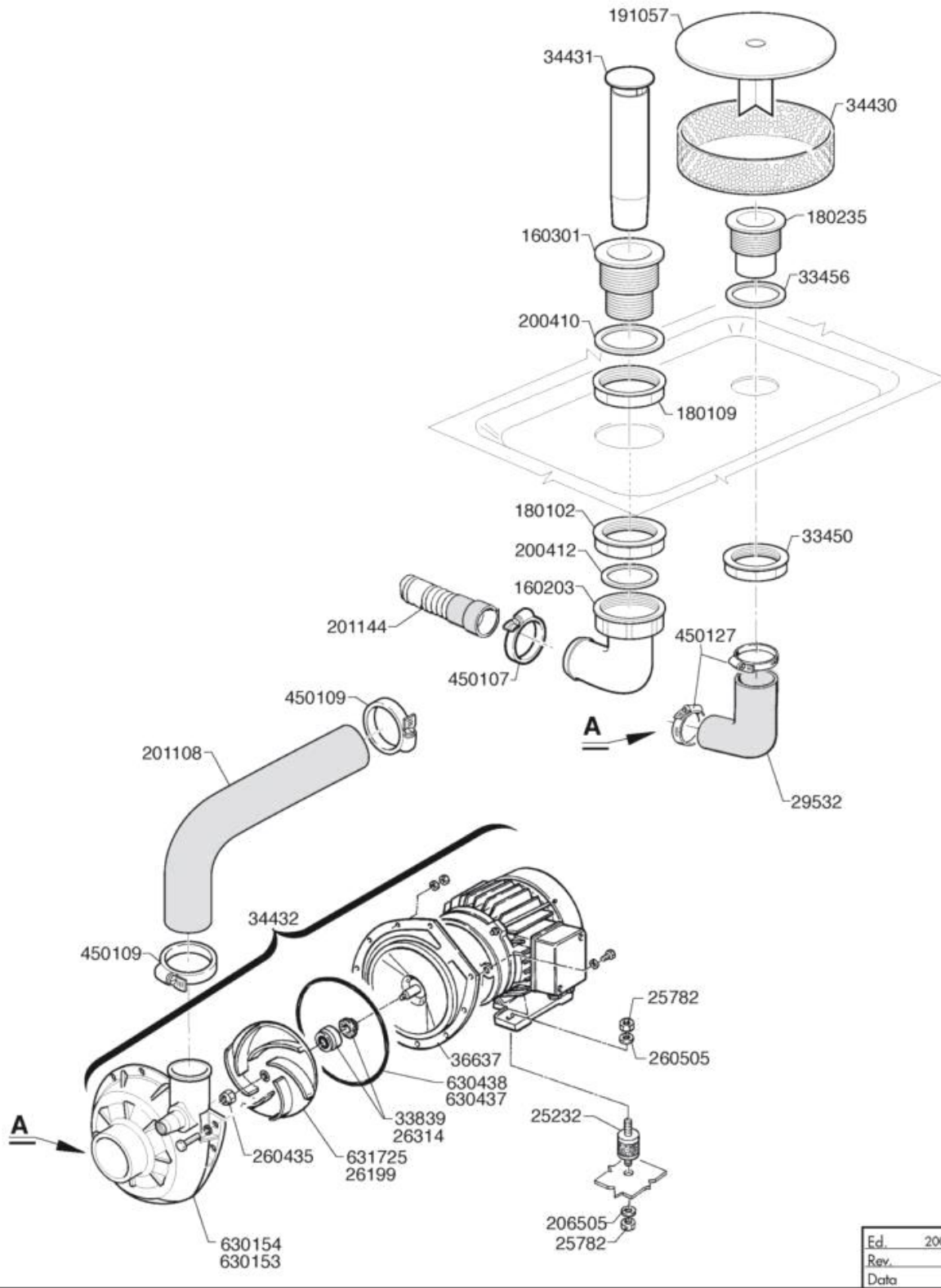
Rinse Assembly/water Softener



Rinse Assembly/water Softener

Code	Description	
00166	ROLL TUBE TRANSP. 4X7	
00182	HOSE 11X19 CASER/15"BLUE"	
180408	PORTAG.T DOSAT.ATT.CENTR.RID.	
200117	TUBO GOMMA 8x15 CALORFORM/10	
200454	GUARNIZ.x CONT.SALE foro d.72	
25033	SALT NUT -> SEE 25051	
25034	PLUG, SALT CONTAIN. -> 25051	
25051	SALT CONTAINER COMPLETE	
25246	GASKET OR X SALT CONTAIN.	
25342	ELECTR.PUMP PQm 60 230V50Hz Hp0,5	
25705	SCREW HEX.HD M 5 X 16 SS 18/8	
25745	SPACER, FLAT, DIAM.6	
25750	SPACER, SPLITTED, DIAM. 6	
25775	NUT 6 MA	
25803	HOSE CLIP 13-20 ABA	
26631	SOLENOID V., DOUBLE 3/4"	
300508	GIRELLO OTTONE 3/4"G NICHELATO	
301001	PORTAG.x GIR.OTTONE 3/4"G NIC	
31661	THREADED P.UNION 1"-3/4" M/M	
33276	T-SHAPED CONNECTOR ?11,5-PART180413	
33400	HEAT.EL.FL.6000W 220/380V (110349)	
33401	COVER, HEATING ELEMENT H 50 (HIGH)	
33402	GASKET OR 6X56X68	
33403	BOILER"F45/F80/C85/140"	
33424	FE-ZN CLAMP 11-17 H=9	
33430	STANDARD SQ.BRACKET	
33889	REDUCER, SOLENOID V. REGENER	
34087	FLANGED NUT M5 A2 DIN 6923	
35206	INSULATION 250x125x30	
35261	CAVALLOTTO FISS.ADDOLC. GF 90A	
35388	RINSE AID DISP."YELLOW" C/STS	
36941	FIX.SQUARE FOR RINSE AID DISPEN. C4	
37330	TUBO CARICO 10bar-90?-3/4"G	
450134	FASCETTA A FILO X TUB. 9,3-8,8	
640212	ADDOLC.MAGGIORATO X LC/BHC-E	

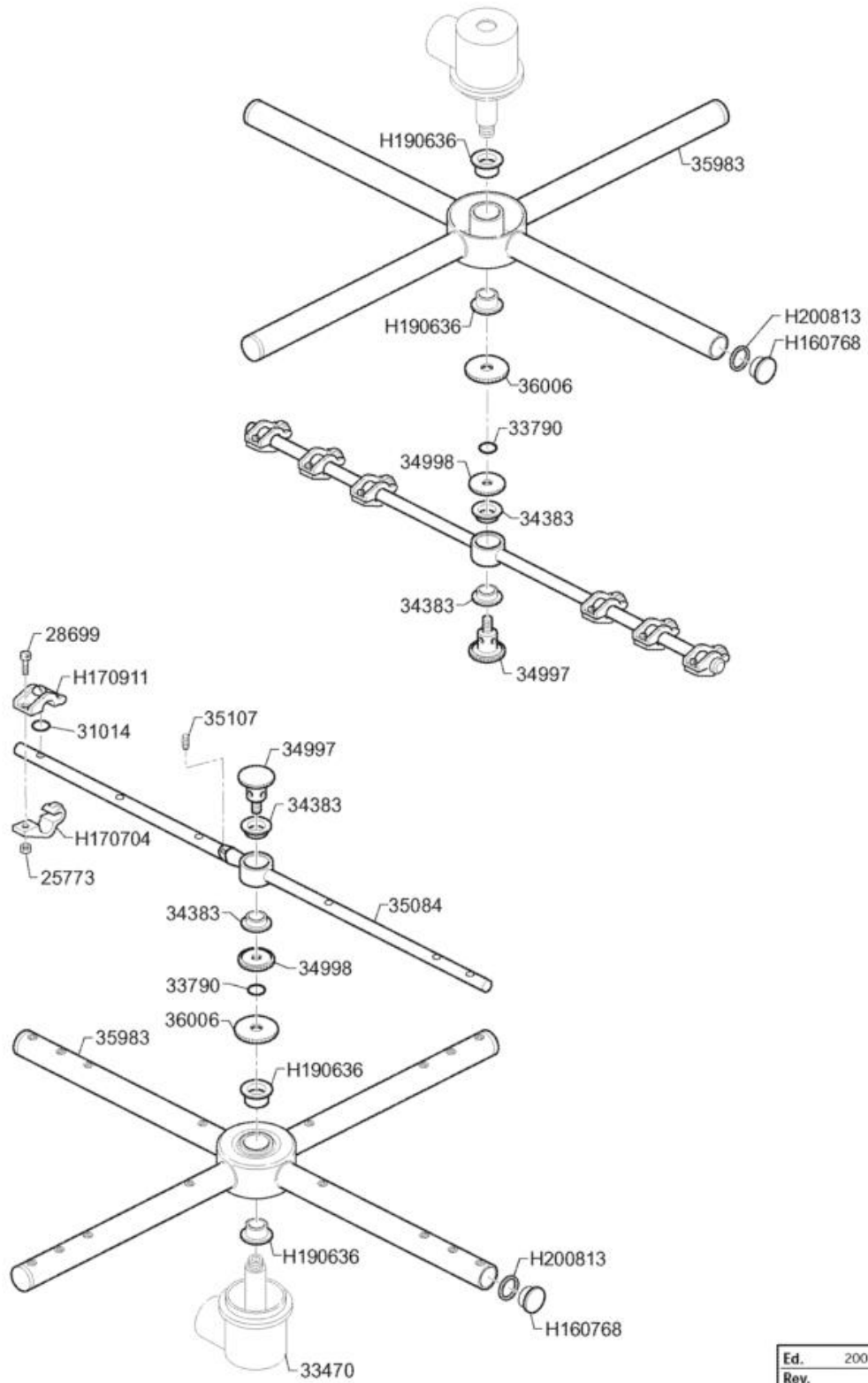
Wash pump and DRAIN



Ed.	2007
Rev.	
Data	

Wash pump and DRAIN

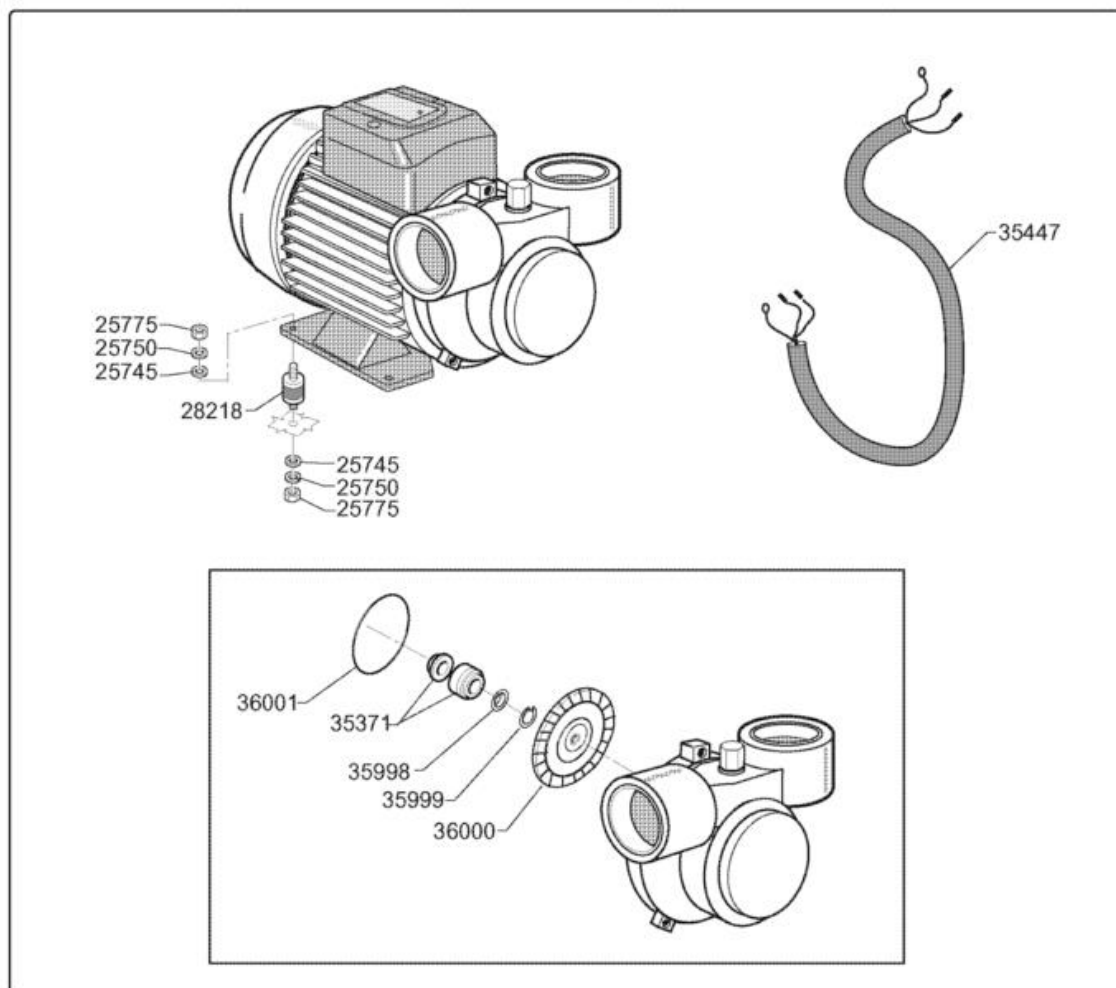
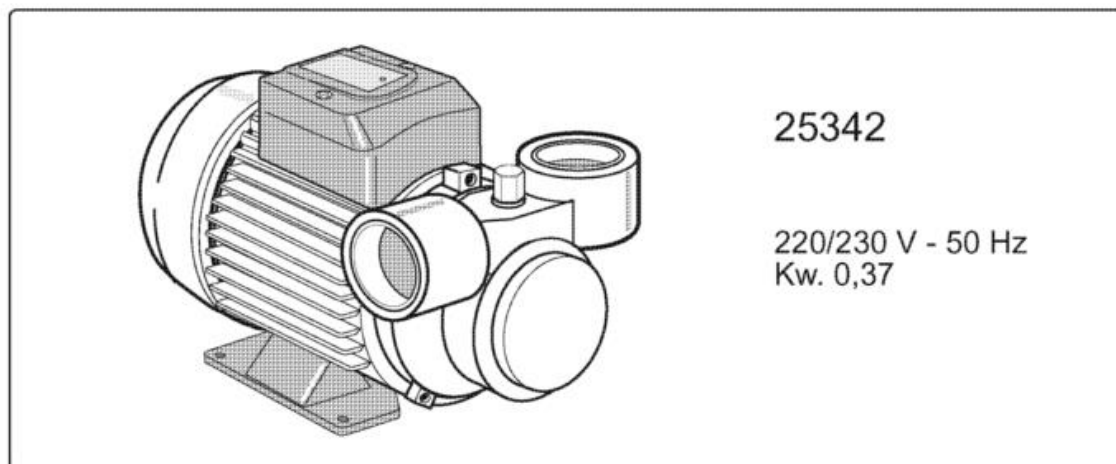
Code	Description	
160203	CODULO CUR.1"1/2 SCAR.N-S-F-C	
160301	PILETTA SCARICO 1 1/2"	
180102	GHIERA 1"1/2 PILETTA F-C75	
180109	CONTRODADO DA 1 1/2" PLAST.	
180235	TRONCHETTO ASPIRAZ.C85-140	
191057	PROTEZIONE ASPIRAZ. C85-C155	
200410	GUAR.NEOP.11/2"D.65X47X3	
200412	GUARNIZ. SCARICO 1"1/2 45X33X3	
201108	MANICOTTO MAND.GE755 (HV35020)	
201144	TUBO DI SCARICO DIAM.33X1500	
25232	ISOLATOR 2 PINS 8 MA 30x20	
25782	NUT 8 MA	
260435	DADO M8 DESTRO H=5 MM	
260505	RONDEL.PIANE D8 INOX UNI 6592	
26199	IMPELLER WASH P.HP2 DX OPENED	
26314	SHAFT SEAL, WASH PUMP HP 1,5/2	
29532	SUCT SLEEVE.ED700-900-650E	
33450	THREADED NUT 65,4 C140 C85-C155	
33456	GASKET D.92X66X2	
33839	MECH. SEAL PR/AR 13 BEFF	
34430	SAFETY FILTER, SUCTION PUMP C90	
34431	OVERFLOW TUBE C 90 H=211	
34432	WASH PUMP HP 2,2 DX C 90	
36637	FLANGIA ZF 650 DX X 34432 LGB	
450107	FASCETTA FE ZN.38-50 H=12,2	
450109	FASCETTA FE ZN 50-65 H=12,2LAM	
450127	FASCETTA FE ZN.68-85 H=12,2	
630153	CHIOCC.ZF650 DX A60/M50 POR(F)	
630154	CHIOCC.ZF650 DX A60/M50 POR(L)	
630437	GUARNIZ. OR. 158.34*3.53 (F)	
630438	GUARNIZ. OR. 158.34*3.53 (L)	
631725	GIRANTE 115 6 PALEDX 100925(L)	



Ed.	2007
Rev.	
Data	

Wash Arm

Code	Description	
160768	TAPPO X MULINELLO LAV. "C"	
170704	CAVALL.FISS.UGEL.RISC.F-B-C33	
170911	GETTO RISC. B23-F 2-C34	
190636	BUSSOLA x MULINELLO LAV. C90E	
200813	GUARNIZ. OR 2,21x16,36x20,78	
25773	NUTS 4 MA SS 18/8	
28699	CHEESE-HD SCREW TC 4 X 10	
31014	GASKET OR 106	
33470	SUPP. LOWER W.ARM."C"WASH-L C110-14	
33790	GASKET OR 2X9,5X13,5 F.S.	
34383	BUSH SPRING HUB, RINSE ROT.ARM	
34997	PIN, RINSE REVOLV.ARM,RIGHT	
34998	SPAC.NUT, REVOLV RINSE ARM, DX	
35084	RINSE REV.ARM, C81/C90 ROT.CLCKW.RE	
35107	DOWEL FOR FLT.GSKT 4X4, DIN 913	
35983	REVOLV.WASHARM C 90	
36006	S.S.304 BUSHING, REVOLV.WASHARM	

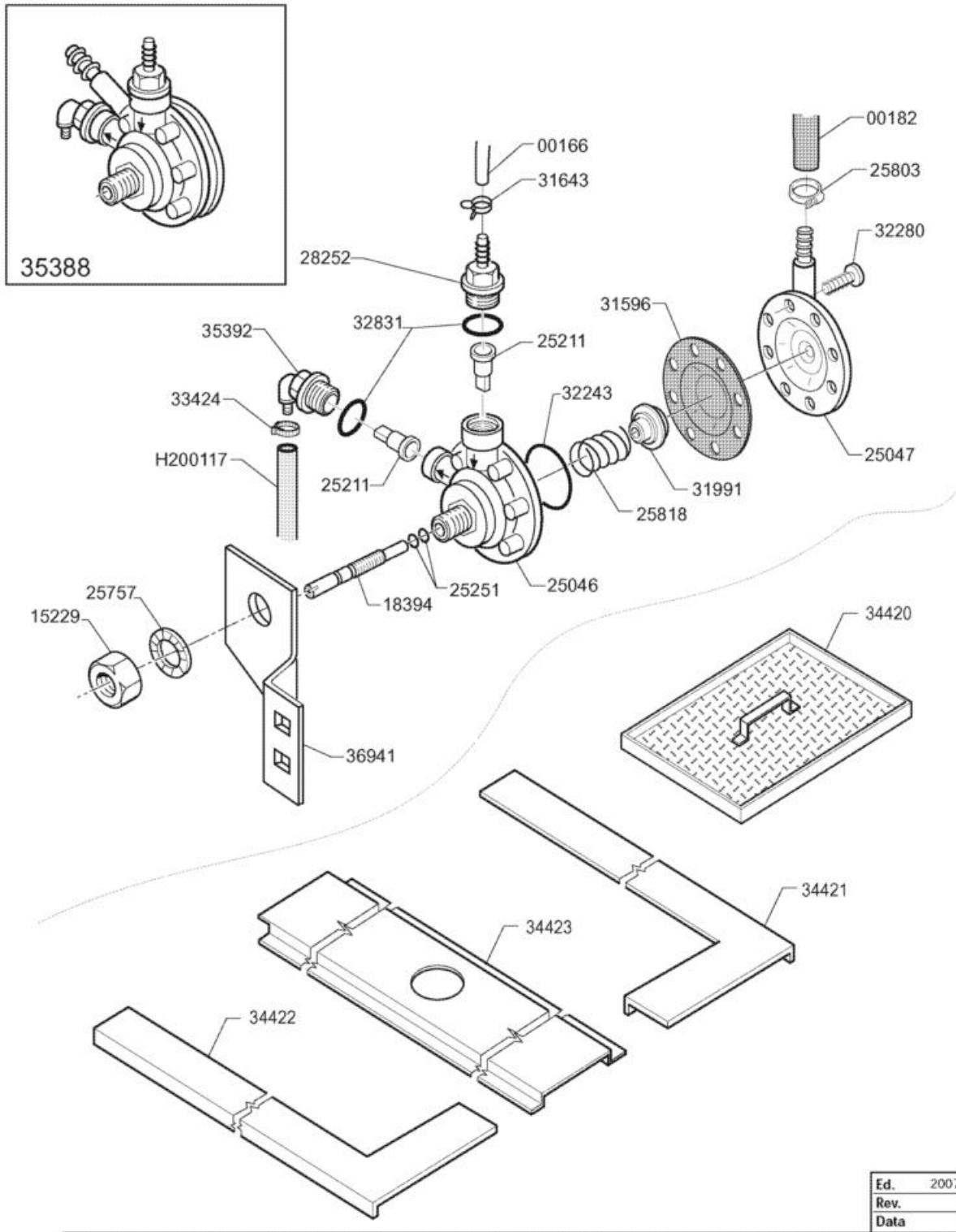


Ed.	06/02
Rev.	
Data	

Rinse Pump

Code	Description	
25342	ELECTR.PUMP PQm 60 230V50Hz Hp0,5	
25745	SPACER, FLAT, DIAM.6	
25750	SPACER, SPLITTED, DIAM. 6	
25775	NUT 6 MA	
28218	ISOLATOR 2 PINS 6 MA	
35371	MECH.SEAL PQ60 X 25342-25345	
35447	FILI COLL.POMPA PRESS.C90E/GF	
35998	SPACER FOR PUMP PQ60 25342	
35999	SEEGER RING FOR PUMP PQ60 25342	
36000	IMPELLER, PUMP PQ60 25342	
36001	OR GASKET, PUMP PQ60 25342	

Rinse Aid Injector/Tank Filter



Ed.	2007
Rev.	
Data	

Rinse Aid Injector/Tank Filter

Code	Description	
00166	ROLL TUBE TRANSP. 4X7	
00182	HOSE 11X19 CASER/15"BLUE"	
15229	LOCK NUT AID DISPENSER	
18394	SCREW CONTROL DISPENSER	
200117	TUBO GOMMA 8x15 CALORFORM/10	
25046	UPPER DISPENSER ASSEMBLY	
25047	LOWER DISPENSER ASSEMBLY	
25211	NON RETURN VALVE RINSE AID DISP.	
25251	GASKET OR 2012	
25757	TOOTHED SPACER DIAM. 12 D.E.D787	
25803	HOSE CLIP 13-20 ABA	
25818	CYLINDER SPRING (WIRE)	
28252	FITTING SUCTION DISPENSER	
31596	DIAPHRAGM, DISPENSER	
31643	HOSE CLIP 7,3-7,8	
31991	SPRING GUIDE FOR DISPENSER	
32243	GASKET OR 3156	
32280	OVAL HD. CROSS-SL. SCREW 4 X 13	
32831	GASKET OR 2062	
33424	FE-ZN CLAMP 11-17 H=9	
34420	TANK FILTER ED650/C 90/C98	
34421	RIGHT SIDE CROSSBAR, FILTERS C90	
34422	LEFT SIDE CROSSBAR, FILTERS C90	
34423	CENTRAL CROSSBAR, FILTERS C90	
35388	RINSE AID DISP."YELLOW" C/STS	
35392	90? VALVE FITTING, RINSE AID H/C	
36941	FIX.SQUARE FOR RINSE AID DISPEN. C4	