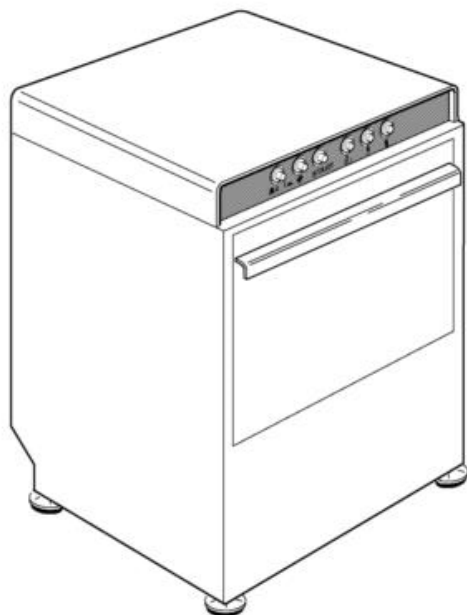


**CATALOGO RICAMBI  
SPARE PARTS  
PIECES DETACHEES  
ERSATZTEILE  
LISTA DE RECAMBIOS**

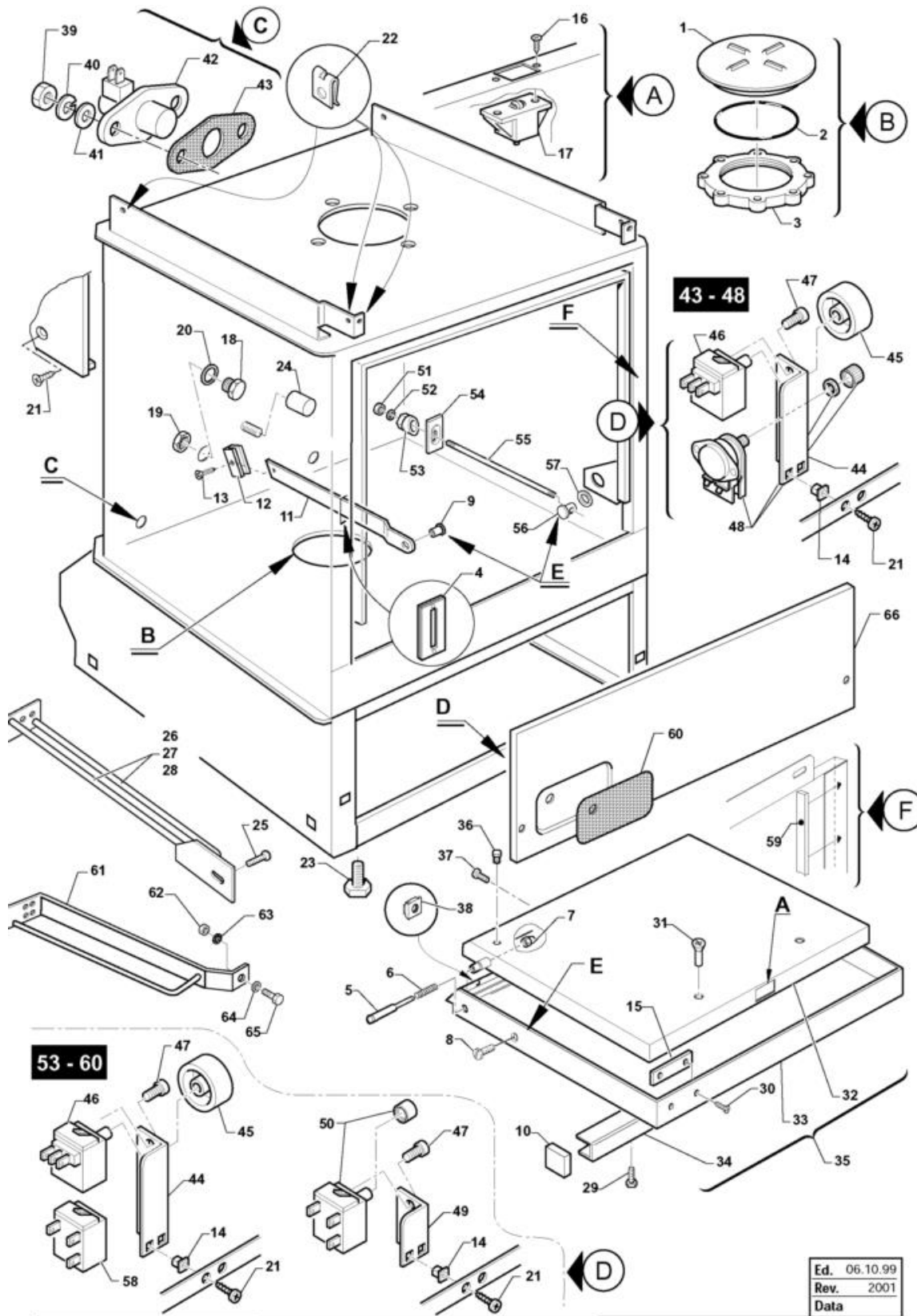


**Lavastoviglie  
Lavevaisselle  
Geschirrspüler  
Dishwashers  
Lavavajillas**

**STS/DP  
STS D/DP D**

**Ed. 06.10.99  
Rev. 2001**

- 1 Door Components STS 48
- 2 Electrical Components
- 3 Wash Arms
- 4 Wash Arms
- 5 Bottom Wash And Rinse Arms
- 6 Bottom Wash And Rinse Arms
- 7 Filter / Drain / Wash Pump
- 8 Rinsaid Pump



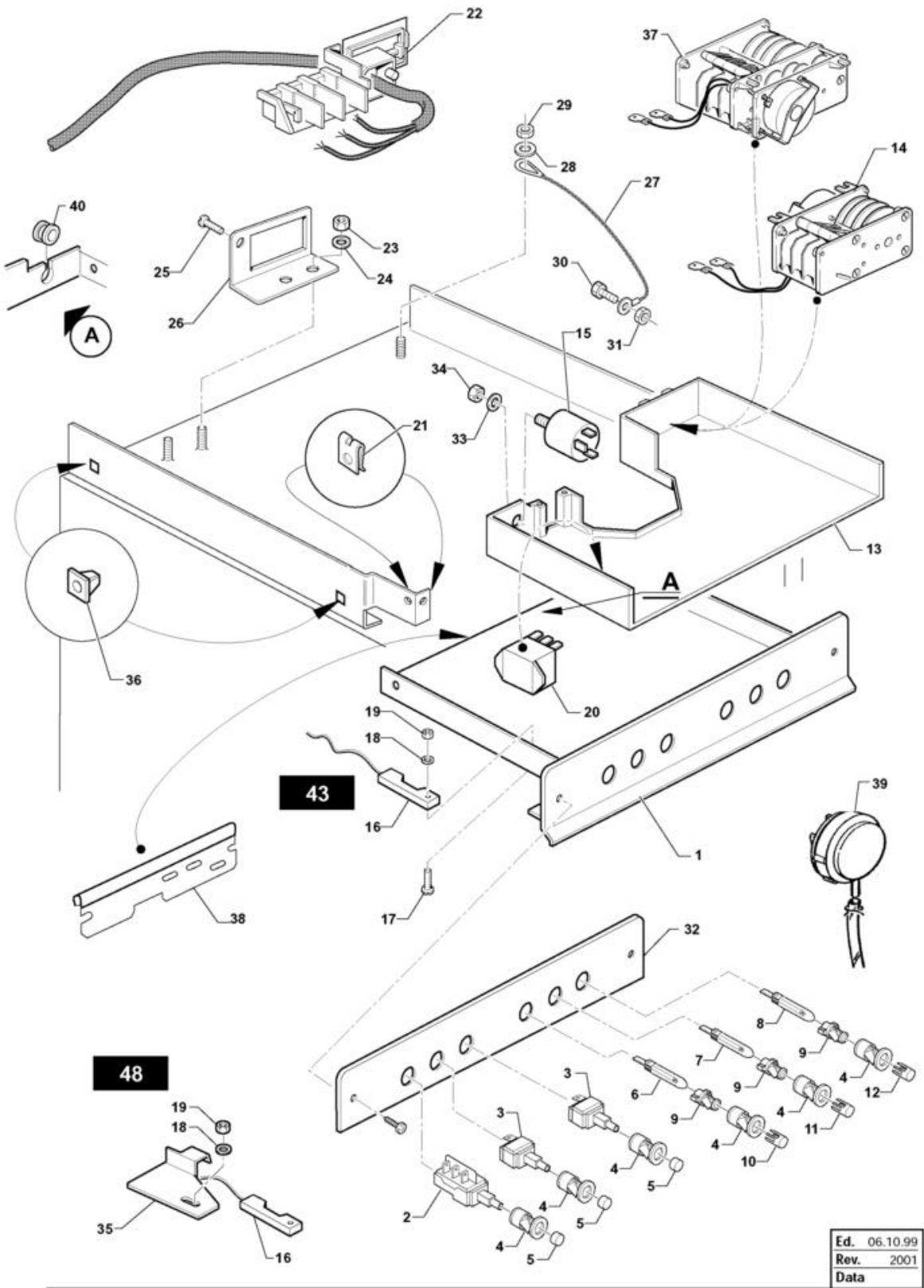
Ed.	06.10.99
Rev.	2001
Data	

## Door Components STS 48

Code	Description	
25032	CATCH PLUG	
25245	GASKET OR 3281	
25008	LOCK. NUT FOR TANK PLUG	
34472	SLIDE PLATE FOR DOOR STAY	
15568	MOBILE DOWEL FOR DOOR	
30438	SPRING FOR PIN AND DOOR	
29594	NUT BLIND 4 MA	
25990	FLAT HD SCREW 5X9 SPEC. FOR ARM TOG	
18342	BUSH FOR DOOR HINGE	
34015	PLUG END HANDLE, LEFT	
34016	PLUG END HANDLE, RIGHT	
18934	DOOR STAY SX 43/53	
18935	DOOR STAY DX 43/53	
18069	STOPPER DOOR STAY	
28699	CHEESE-HD SCREW TC 4 X 10	
28880	NUT SCREW	
32969	MAGNET FOR CONTACT M350 AP	
25693	SELF-TAPPING SCREW BEVEL H. 4,2X13	
33336	ROLLER DOOR LATCH	
26966	HOLE CLOSING PLUG	
27155	PLASTIC NUT10 M	
25266	FLAT GASKET 18 X 10 X 2	
25697	SELF-TAPPING SCREW CHEESE D747H.ROS	
25831	PLATE FOR SELFTHREAD. SCREW SIDES 7	
25209	FEET, HEXAG. BASE	
18145	RACK STOPPER MM.25	
26751	SCREW 1/2 FLAT ROUND HD 6 X 12	
18928	GUIDE RACK DX STS-APS 48 RIN.AID	
18929	GUIDE RACK SX STS-APS 48 RIN.AID	
25708	SCREW HEX.HD M 5 X 10 SS	
33277	SELF-TAPPING SCREW TSP 2,9 X 9,5	
15995	BUSH SPRING FIX. HANDLE STS	
34570	INNER DOOR PANEL APS/STS /C 48/98	
34565	DOOR CASING, APS-STs-C48/98	
18827	HANDLE FOR DOOR STS/APS/C 48	
25293	PLUG RUBBER DIAM. 10	
25700	SCREW CHEESE-H. 4 X 8 KNURLED	
33179	ENCLOSED NUT 4MA	
25773	NUTS 4 MA SS 18/8	
25752	TOOTHED SPACER DIAM.4 D.E.	
25743	SPACER, FLAT, DIAM. 4	
33948	BIMET. THERMOSTAT, DOUBLE CONTACT	
200494	GUARNIZIONE X TERMOSTATO BIMET	
17955	DOUBLE SQUARE FOR PRESS.GAUGES	
25092	HANDLE, BLACK WHITE INDEX	

## Door Components STS 48

Code	Description	
25417	THERMOSTAT 30-90? MT. 2	
25699	SCREW CHEESE-H. 4 X 6	
33906	THERMOSTAT DOUB.POLE 105? RANCO LM8	
17582	HOLDER THERMOSTAT 43/60	
25421	THERMOSTAT FIXED 56? MT.1,5	
25791	SELF-LOCKING NUT 5 MA LOWER SIDE	
25744	SPACER, FLAT, DIAM.5	
190619	FERMO TIRANTE PORTA B-F-R	
331461	PIASTRINA PER TIRANTE X 34142	
34142	ROD FOR DOOR 43-53	
34143	PIN FOR ROD DOOR	
160838	ANELLO PER PERNO PORTA	
33745	LIMITER 110? MANUAL RESET	
33408	NEOPREN ADHESIVE GASKET 8 X 4	
32949	PLATE, DISPENSER CONTROL "N"	
33246	NAMEPLATE, DISPENS.NEUTR.BLUE	
25775	NUT 6 MA	
35304	TOOTHED WASHER DIA.6	
25745	SPACER, FLAT, DIAM.6	
25715	SCREW HEX.HD M 6 X 16 SS	
33552	TANK FRONT PANELSTS/APS 48	



Ed.	06.10.99
Rev.	2001
Data	

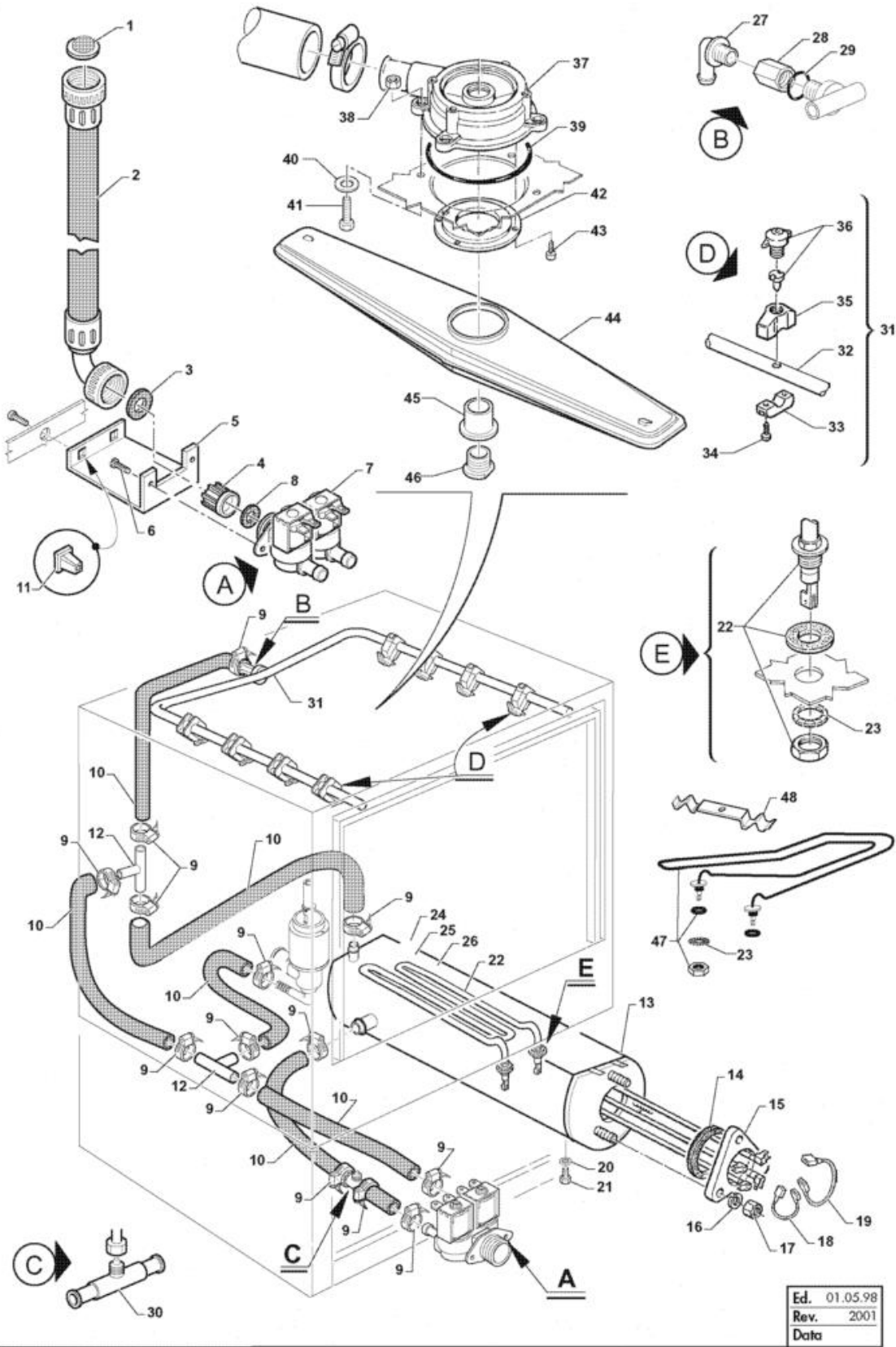
## Electrical Components

Code	Description	
33334	PANEL WITH SS PLATE 43	
33553	CONTROL BOARD W/ SS PLATE 48	
34823	CTRL PANEL W/PLATE 43/99	
34824	CTRL PANEL W/PLATE 48/99	
32872	SWITCH SA SINGLE POLE D	
29529	UNIPOLAR PUSHBUTTON NA	
33247	SUPPORT LAMP HOLDER, BRIGHT GREY	
32890	BRIGHT GREY PUSH-BUTTON,	
32892	NEON LIGHT BULB "GREEN" FL-T FM6,3	
28870	PILOT LIGHT BULB -LUX FM6,3 230V.	
34236	PILOT LIGHT, BLUE BULB 230V	
32891	LIGHT BULB HOLDER	
32868	CAP, ?16"GREEN"	
32869	CAP, ?16"ORANGE"	
34198	COVER, D16 "BLUE"	
32805	HP ELECTR.COMPON. CASING	
30347	TIMER P26/2-3CR-120"-220V	
31324	NOISE FILTER, TYPE 5001	
33188	MAGNETIC SENSOR	
32970	BEVEL, CROSS-SLOT HD. SCREW TS 3 X	
31828	DENTED ROUND SPACER, EX ? 3	
25777	NUTS 3 MA	
33324	RELAY, JA 1CIM-220 VAC-DARE34312	
34312	T.RELAY A2S FA 16A 230V	
25831	PLATE FOR SELFTHREAD. SCREW SIDES 7	
30601	TERMIN. BLOCK W/1-PH. CABLE CONNECT	
25775	NUT 6 MA	
25745	SPACER, FLAT, DIAM.6	
25699	SCREW CHEESE-H. 4 X 6	
17597	HOLDER FIX. TERMINAL BLOCK PA	
34046	NYLON ROIPE, DRAWER LIMIT STOP	
25744	SPACER, FLAT, DIAM.5	
25774	NUTS 5 MA	
25700	SCREW CHEESE-H. 4 X 8 KNURLED	
25775	NUT 6 MA	
33169	ADHESIVE PLATE, CTRL PANEL STS 43"H	
33170	ADHESIVE PLATE, CTRL PANEL STS 48"H	
33232	CONTROL PANEL PLATE, DP 35	
33233	CONTROL PANEL PLATE, DP 40	
25757	TOOTHED SPACER DIAM. 12 D.E.D787	
25782	NUT 8 MA	
15969	MAGNET FIXING PLATE STS	
28880	NUT SCREW	
34402	TIMER P26/15 4CR 120"-230V.	
34839	SMALL CROSSBAR, ELECTR,APPL.PANEL	

## Electrical Components

Code	Description	
31171	PRESSURE SWITCH, RATED 28/12+-3	
34305	CABLE RACEWAY STEAB 6211/16/21	

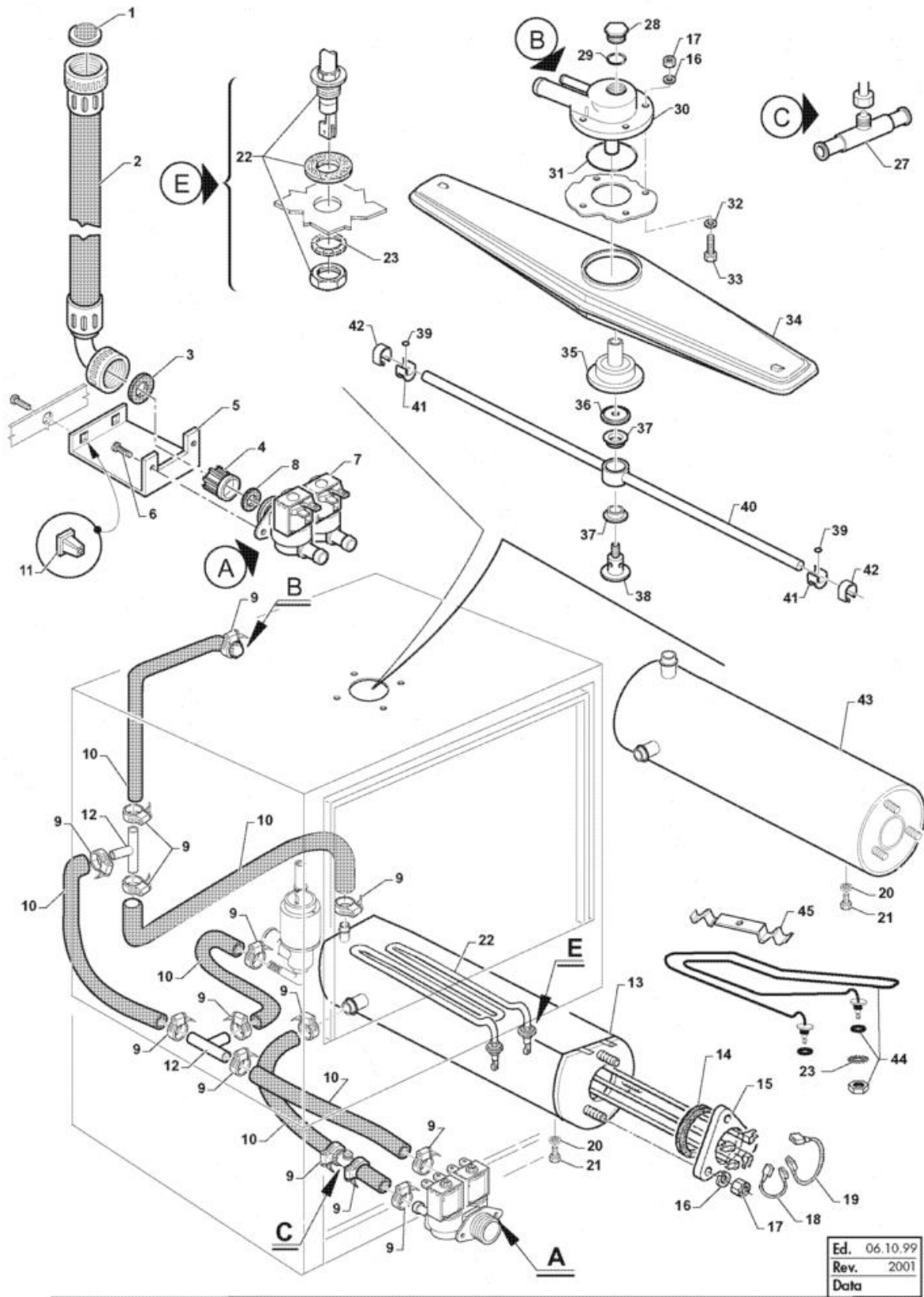




Code	Description	
30541	FILTER ON FILLING HOSE 3/4"	
25235	INLET HOSE 3/4" 60 ATE	
25269	FLAT GASKET	
26981	FILTER X SOLENOID V.T/N	
17901	SOLENOID VALVE HOLDER	
25700	SCREW CHEESE-H. 4 X 8 KNURLED	
26631	SOLENOID V., DOUBLE 3/4"	
34132	CONTROL QTY 8 LT.	
34133	CONTROL QTY 14 LT.	
25803	HOSE CLIP 13-20 ABA	
00182	HOSE 11X19 CASER/15"BLUE"	
28880	NUT SCREW	
33276	T-SHAPED CONNECTOR ?11,5-PART180413	
18217	BOILER CPL TS 53-60	
18773	BOILER CPL STS 43/48	
33582	BOILER CPL STS 53/60	
34216	BOILER STS 43/48	
34596	BOILER CPL C-ST5 53-60 /98	
29938	GASKET OR 6150	
25356	HEATING ELEM.BOILER 3000 W 230V	
25357	HEATING ELEM. BOOST.4000W 230V	
30008	HEATER FOR.BOOST.2800W HOLD.DAL	
25750	SPACER, SPLITTED, DIAM. 6	
25775	NUT 6 MA	
25575	JUMPER L=100, 2,5 mm2 BLUE	
25576	JUMPER L=170, 2,5 mm2, RED	
25274	FLAT GASKET 12 X 6 X 2	
26863	HEX HD SCREW 6 X 8 STAINLESS S.	
30443	HEATING EL., TANK 2000 W-230 V	
25757	TOOTHED SPACER DIAM. 12 D.E.D787	
25775	NUT 6 MA	
25745	SPACER, FLAT, DIAM.6	
17530	WIRE X HEATING ELEM. TANK	
25036	HOSE FITTING	
17933	DISTANCE. THREADED INT. 14X1	
25239	GASKET OR PB 701 3112 x AIR TRAP	
33817	T-CONNECTOR FOR DISPENS. HOONV.	
18798	RINSE ARM FIXED STS 48	
33776	RINSE ARM FIXED 53	
33821	FIXED RINSE ARM 60	
31313	HOSE CLIP FOR RINSE NIPPLES	
25714	SELF-TAPPING SCREW TC 2,9X9,5 SS	
31314	NIPPLES RINSE JETS	
22155	RINSE JET O 1,5 PREASS.	
31470	BOX, UPP. WASH. FOR T.D. 53	

## Wash Arms

Code	Description	
25775	NUT 6 MA	
31057	GASKET OR	
25090	FLAT SPACER 5X13X1, NYLON	
25715	SCREW HEX.HD M 6 X 16 SS	
30664	COVER, LOWER TURBO WASH BOX	
29535	SELF-TAPPING CHEESE HD. SCREW 2,9 X	
17974	WASHARM 43	
17975	WASHARM LOWER 48 SUP53	
17976	WASHARM LOWER 53-60 (33586)	
33586	WASHARM UPP./LOW. 60	
17972	CENTR.BUSH SPRING, UPP.WASHARM.	
32398	NUT FOR WASH BOX PIN,CLOSED	
35230	HEAT.ELEM. TANK 2000W-230V S-SHAPE	
36087	SUPPORT X HEATING ELEM. TANK	

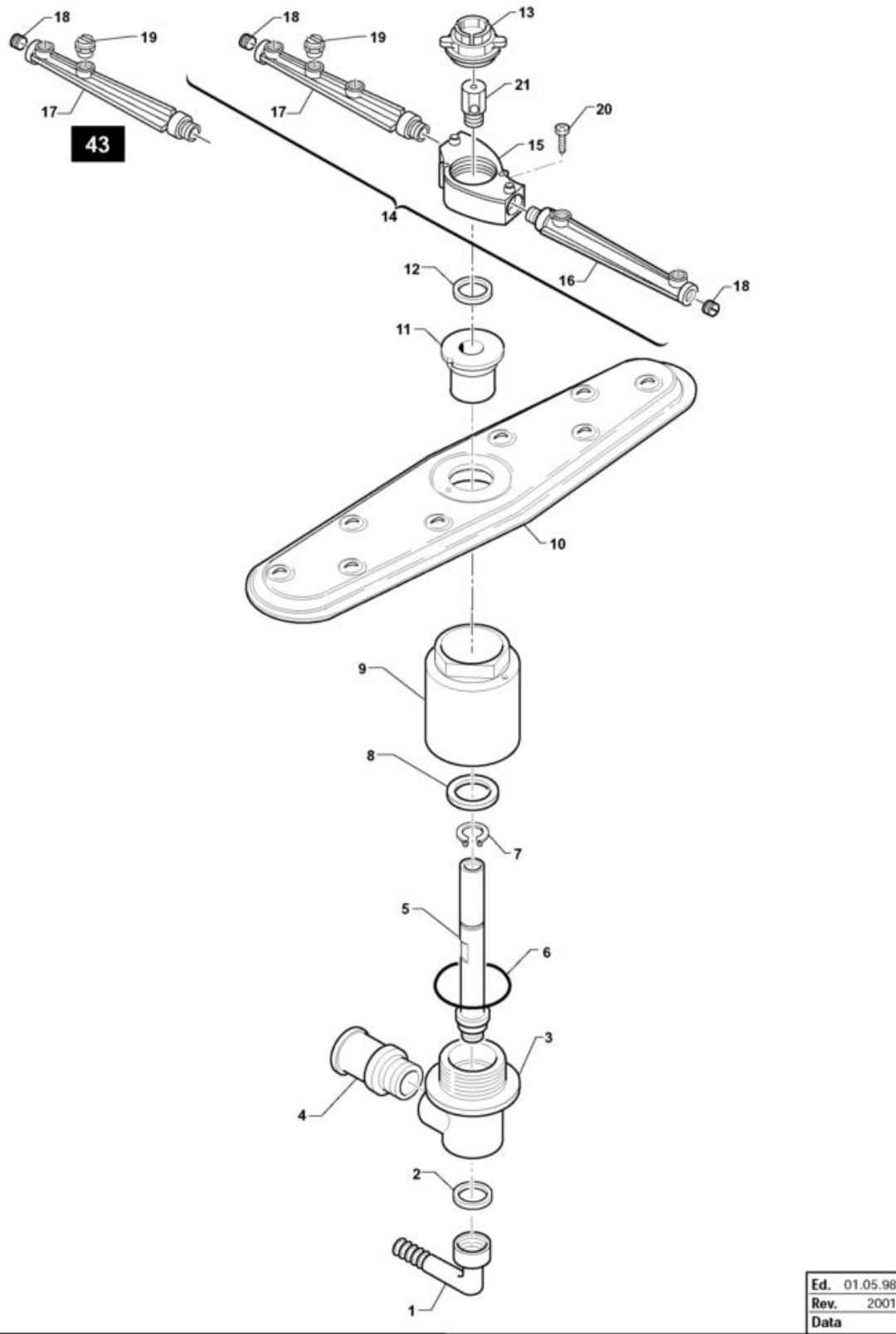


Ed.	06.10.99
Rev.	2001
Data	

## Wash Arms

Code	Description	
30541	FILTER ON FILLING HOSE 3/4"	
25235	INLET HOSE 3/4" 60 ATE	
25269	FLAT GASKET	
26981	FILTER X SOLENOID V.T/N	
17901	SOLENOID VALVE HOLDER	
25700	SCREW CHEESE-H. 4 X 8 KNURLED	
26631	SOLENOID V., DOUBLE 3/4"	
34132	CONTROL QTY 8 LT.	
34133	CONTROL QTY 14 LT.	
25803	HOSE CLIP 13-20 ABA	
00182	HOSE 11X19 CASER/15"BLUE"	
28880	NUT SCREW	
33276	T-SHAPED CONNECTOR ?11,5-PART180413	
18217	BOILER CPL TS 53-60	
18773	BOILER CPL STS 43/48	
33582	BOILER CPL STS 53/60	
34216	BOILER STS 43/48	
34596	BOILER CPL C-ST5 53-60 /98	
29938	GASKET OR 6150	
25357	HEATING ELEM. BOOST.4000W 230V	
30008	HEATER FOR.BOOST.2800W HOLD.DAL	
25750	SPACER, SPLITTED, DIAM. 6	
25775	NUT 6 MA	
25575	JUMPER L=100, 2,5 mm2 BLUE	
25576	JUMPER L=170, 2,5 mm2, RED	
25274	FLAT GASKET 12 X 6 X 2	
26863	HEX HD SCREW 6 X 8 STAINLESS S.	
30443	HEATING EL., TANK 2000 W-230 V	
25757	TOOTHED SPACER DIAM. 12 D.E.D787	
33817	T-CONNECTOR FOR DISPENS. HOONV.	
160769	TAPPO 1/2" X SUPPORTO MULIN.	
34332	GASKET OR 128 SUPP.PLUG	
34314	HOLDER WASHARM UPP. C-ST5	
200820	GUARN.OR 5,33X46,99X57,6	
30940	FLAT SPACER, BLACK, DIA. 6	
25715	SCREW HEX.HD M 6 X 16 SS	
17975	WASHARM LOWER 48 SUP53	
33586	WASHARM UPP./LOW. 60	
34262	CENTRAL BUSH SPRING H.28 UPPER ROT	
34382	DISTANCE WASHER RINSE LEFT TURNING	
34383	BUSH SPRING HUB, RINSE ROT.ARM	
34384	PIN, RINSE ROT.ARM	
34360	GASKET OR 7 X 1 NBR 70	
34386	RINSE ARM 48 ROT. S/FRONT.	
34387	RINSE ARM 53-60 R. S/ FRONT.	

# Bottom Wash And Rinse Arms

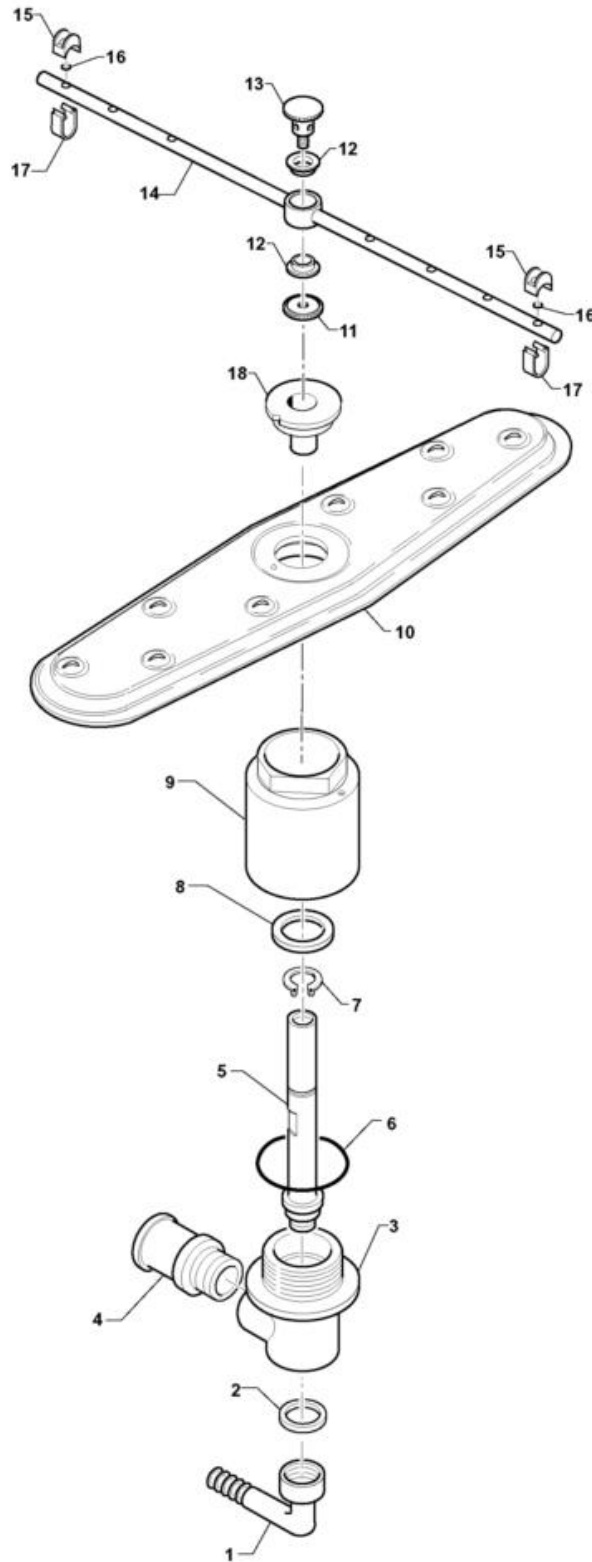


## Bottom Wash And Rinse Arms

Code	Description	
32352	HOSE FITTING, 90° ELBOW 1/4 F	
33346	DISC FOR CENTRAL SUPPORT	
32350	WASH-RINSE SUPPORT BOTTOM HP	
33544	HOSE FITTING 1/2 "	
17913	RINSE SHAFT LOWER AP 43-48	
18825	LOWER RINSE SHAFT STS 53/60	
32310	GASKET OR 3200	
32923	SHAFT SNAP RING ? 14	
18345	SPACER RING	
25122	DISTANCE RING, WASH, RINSE	
32887	BUSH, REV.CENTR. LOWER WASH STS43/4	
32888	BUSH CENTR.REDUCT SPRING. 53/60	
17974	WASHARM 43	
17975	WASHARM LOWER 48 SUP53	
17976	WASHARM LOWER 53-60 (33586)	
33586	WASHARM UPP./LOW. 60	
18703	BUSH SPRING CENT. WASHARM LOW.STS	
25122	DISTANCE RING, WASH, RINSE	
33858	SPACER WASHER, WASH RINSE	
32359	THREAD.PLUG, RINSE ARM STS/APS	
21863	RINSE ARM LOWER PREASS. 43	
21864	RINSE ARM LOWER PREASS.AP 48	
21865	RINSE ARM LOWER PREASS. 53/60	
32360	HP WASH-RINSE ARM BLOCK	
32176	RINSE ARM3/I-4/S	
32179	RINSE ARM4/I-5/S	
32405	RINSE ARM 5/I-6/S AP53	
32177	RINSE ARM3/I-4/S	
32178	RINSE ARM4/I-5/S	
32406	RINSE ARM5/I-6/S AP53	
30516	THREADED PLUG 9 X 1	
29695	RINSE NOZZLE "BLACK"	
25684	SELF-TAPPING SCREW CHEESE-H. 2,9X9	
17917	DRIVE PIN AP 43/60	



# Bottom Wash And Rinse Arms

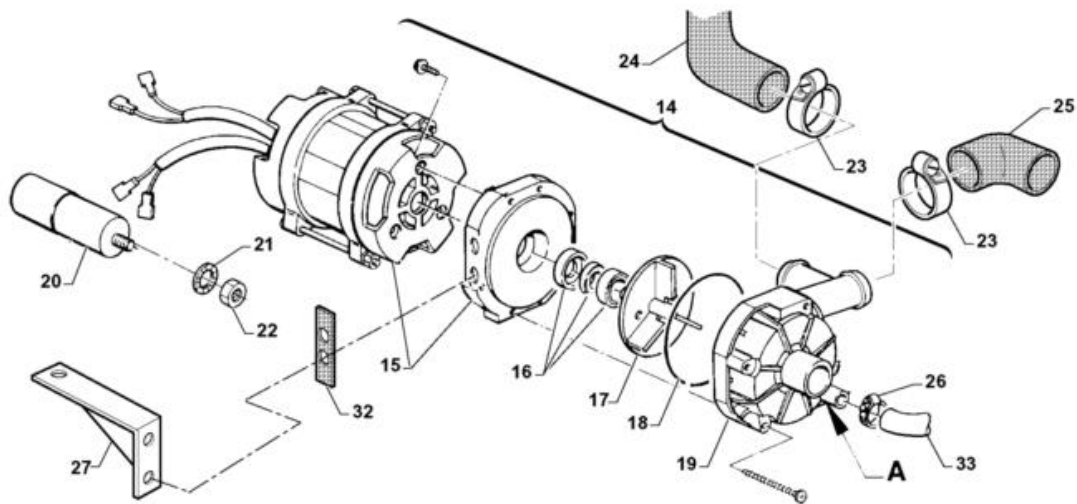
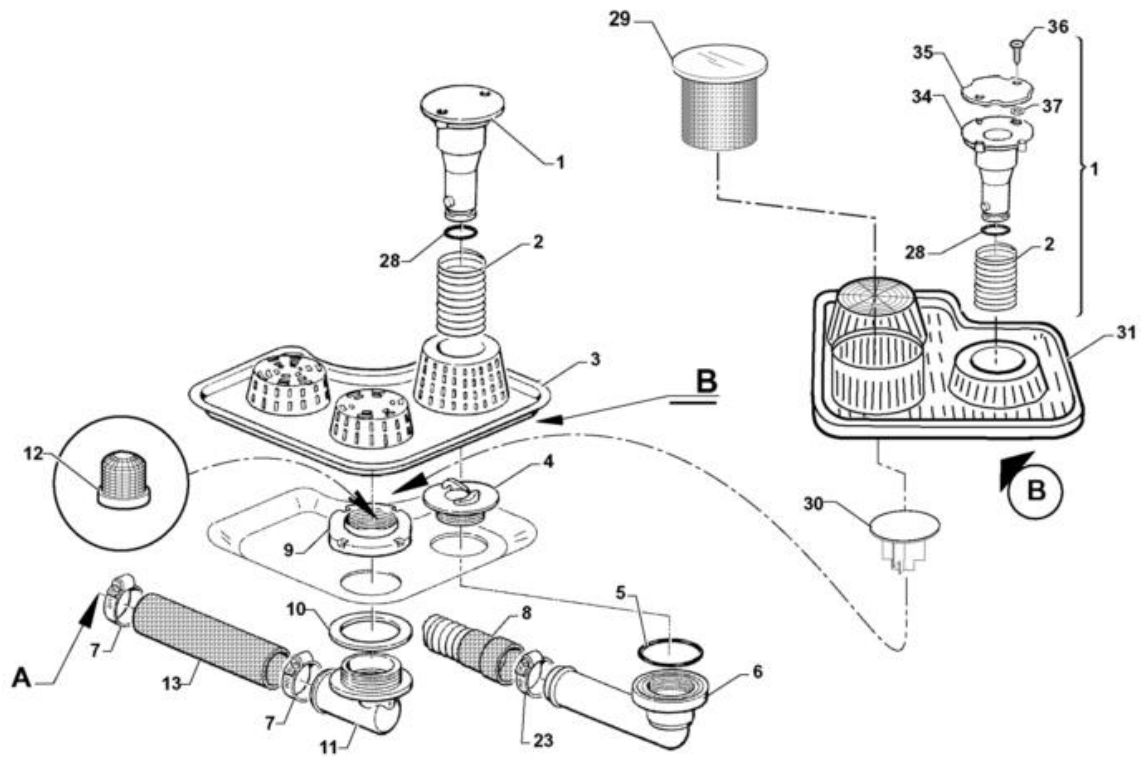


Ed.	06.10.99
Rev.	2001
Data	



## Bottom Wash And Rinse Arms

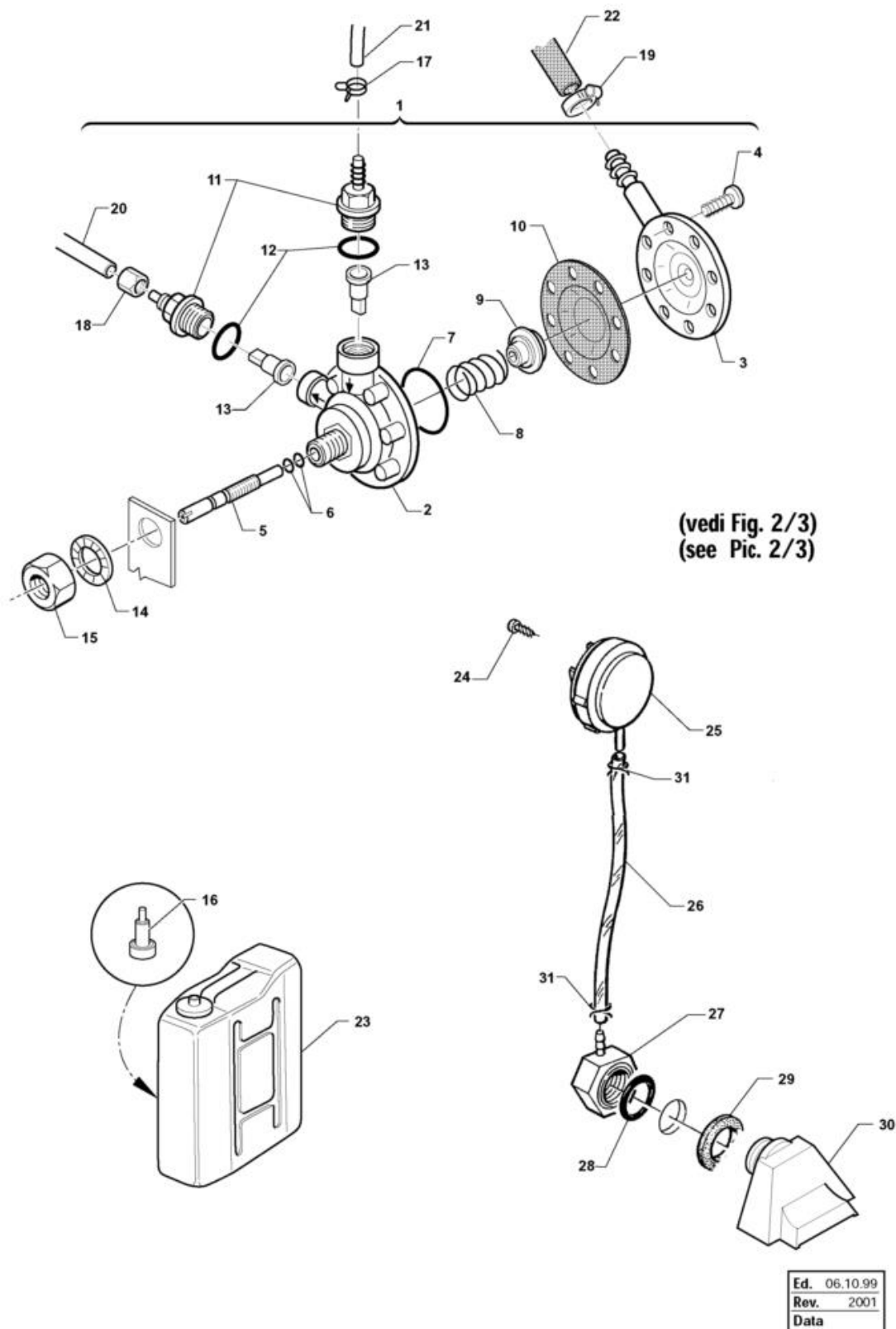
Code	Description	
32352	HOSE FITTING, 90° ELBOW 1/4 F	
33346	DISC FOR CENTRAL SUPPORT	
32350	WASH-RINSE SUPPORT BOTTOM HP	
33544	HOSE FITTING 1/2 "	
34396	LOW. RINSE SHAFT STS 43-48	
34397	LOW. RINSE SHAFT STS-C 53-60	
32310	GASKET OR 3200	
32923	SHAFT SNAP RING ? 14	
18345	SPACER RING	
32887	BUSH, REV.CENTR. LOWER WASH STS43/4	
17974	WASHARM 43	
17975	WASHARM LOWER 48 SUP53	
33586	WASHARM UPP./LOW. 60	
34382	DISTANCE WASHER RINSE LEFT TURNING	
34383	BUSH SPRING HUB, RINSE ROT.ARM	
34384	PIN, RINSE ROT.ARM	
34385	RINSE ARM 43 ROT. S/FRONT.	
34386	RINSE ARM 48 ROT. S/FRONT.	
34387	RINSE ARM 53-60 R. S/ FRONT.	
34264	RINSE JET WITH SPRING	
34360	GASKET OR 7 X 1 NBR 70	
34293	JET LOCK SPRING	
18703	BUSH SPRING CENT. WASHARM LOW.STS	



Ed.	06.10.99
Rev.	2001
Data	

## Filter / Drain / Wash Pump

Code	Description	
35105	OVERFLOW T. 43/48 SS COVER, SPARE	
30426	SPRING FOR OVERFLOW TUBE	
30420	FILTER TANK POLYPROPYL. 43-53	
31637	CROSSLESS HOOK SLEEVE	
28226	GASKET OR 3181 FOR DRAIN LUG	
30421	DRAIN FITTING, LONG	
25808	HOSE CLIP 27-51CLAM	
34106	DRAIN TUBE DR. D.20X1500	
25006	NUT FO DRAIN SUCT. P.	
31423	FLAT GASKET 65X51X3	
32715	90°SUCTION ELBOW FOR PUMP	
31620	FILTER FITTING	
33541	SUCTION SLEEVE STS 43/48	
33542	WASH PUMP HP 0,3 TYPE 0226	
34338	PUMP HOUSING (SC+FL)PM 0223320	
34182	SEAL FOR ELECTR. PUMP 33542	
34339	PUMP IMPELLER PM 0202315	
34340	GASKET OR 2-43 O 88,64 SP1,78	
34341	PUMP HOUSING 0226303	
33543	CAPACITOR 5 UF-450 V	
25757	TOOTHED SPACER DIAM. 12 D.E.D787	
25782	NUT 8 MA	
25807	HOSE CLIP 26-38 ABA	
32911	DELIV. SLEEVE WASH UPP.STS 43	
32912	DELIV. SLEEVE WASH UPP.STS48	
33815	DELIVERY SLEEVE STS 43/48	
25803	HOSE CLIP 13-20 ABA	
33901	PUMP PLATE, STS 43	
33902	PUMP PLATE, STS 48	
30479	GASKET OR 4081	
34556	SUCTION FILTER PUMP STS-43-48-53	
34659	ANTIVORTEX DISC SUCTION PUMP	
34658	FILTER, TANK POLYP. 43-53/98	
33998	VIBR.PROOF RUBBER GASK. FOR PUMP	
00182	HOSE 11X19 CASER/15"BLUE"	
35037	OVERFLOW TUBE 43/48 COM	
35069	SS COVER FOR OVERFLOW	
35101	CROSS-SL.HD SCRW 4X20,REVOLV., SS	
25090	FLAT SPACER 5X13X1, NYLON	



Code	Description	
22060	RINSE AID DISP.PREASS."YELLOW"1?	
25046	UPPER DISPENSER ASSEMBLY	
25047	LOWER DISPENSER ASSEMBLY	
25697	SELF-TAPPING SCREW CHEESE D747H.ROS	
18394	SCREW CONTROL DISPENSER	
25251	GASKET OR 2012	
32243	GASKET OR 3156	
25818	CYLINDER SPRING (WIRE)	
31991	SPRING GUIDE FOR DISPENSER	
31596	DIAPHRAGM, DISPENSER	
32084	FITTING KIT, SUCT/DELIV.VLV RINSE A	
32831	GASKET OR 2062	
25211	NON RETURN VALVE RINSE AID DISP.	
25757	TOOTHED SPACER DIAM. 12 D.E.D787	
15229	LOCK NUT AID DISPENSER	
21679	FILTER DET.-RINSE AID PREASS.	
31643	HOSE CLIP 7,3-7,8	
15228	RING FOR RINSING SOLUTION TUBE	
25803	HOSE CLIP 13-20 ABA	
00162	ROLL TUBE 6X4 RILSAN	
00166	ROLL TUBE TRANSP. 4X7	
00182	HOSE 11X19 CASER/15"BLUE"	
31945	RINSE AID CONTAINER WITH PLUG	
26640	SCREW, PRESSURE SWITCH *	
31171	PRESSURE SWITCH, RATED 28/12+-3	
160121	TUBO GOMMA NERA 5X9 PRESSOST.	
25011	COVER X AIR TRAP	
25239	GASKET OR PB 701 3112 x AIR TRAP	
25263	FLAT GASKET 38 X 25 X 2 A.TRAP	
25010	AIR TRAP	
34733	WIRE PIPE CLAMP FOR 9,8-10,1 PIPE	