

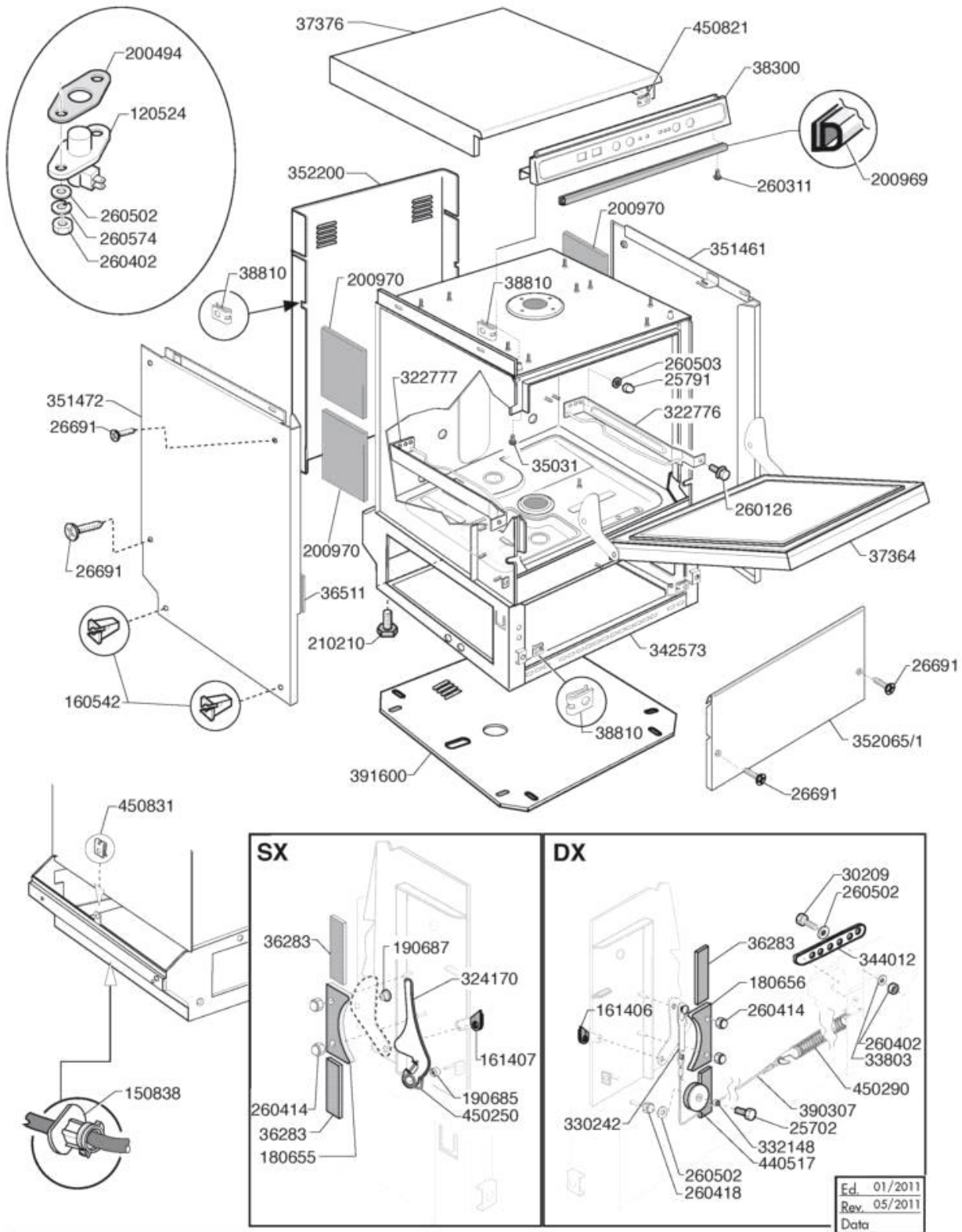
**CATALOGO RICAMBI
SPARE PARTS
PIECES DETACHEES
ERSATZTEILE
LISTA DE RECAMBIOS**



ST 48 E BT

Ed. 01/2011

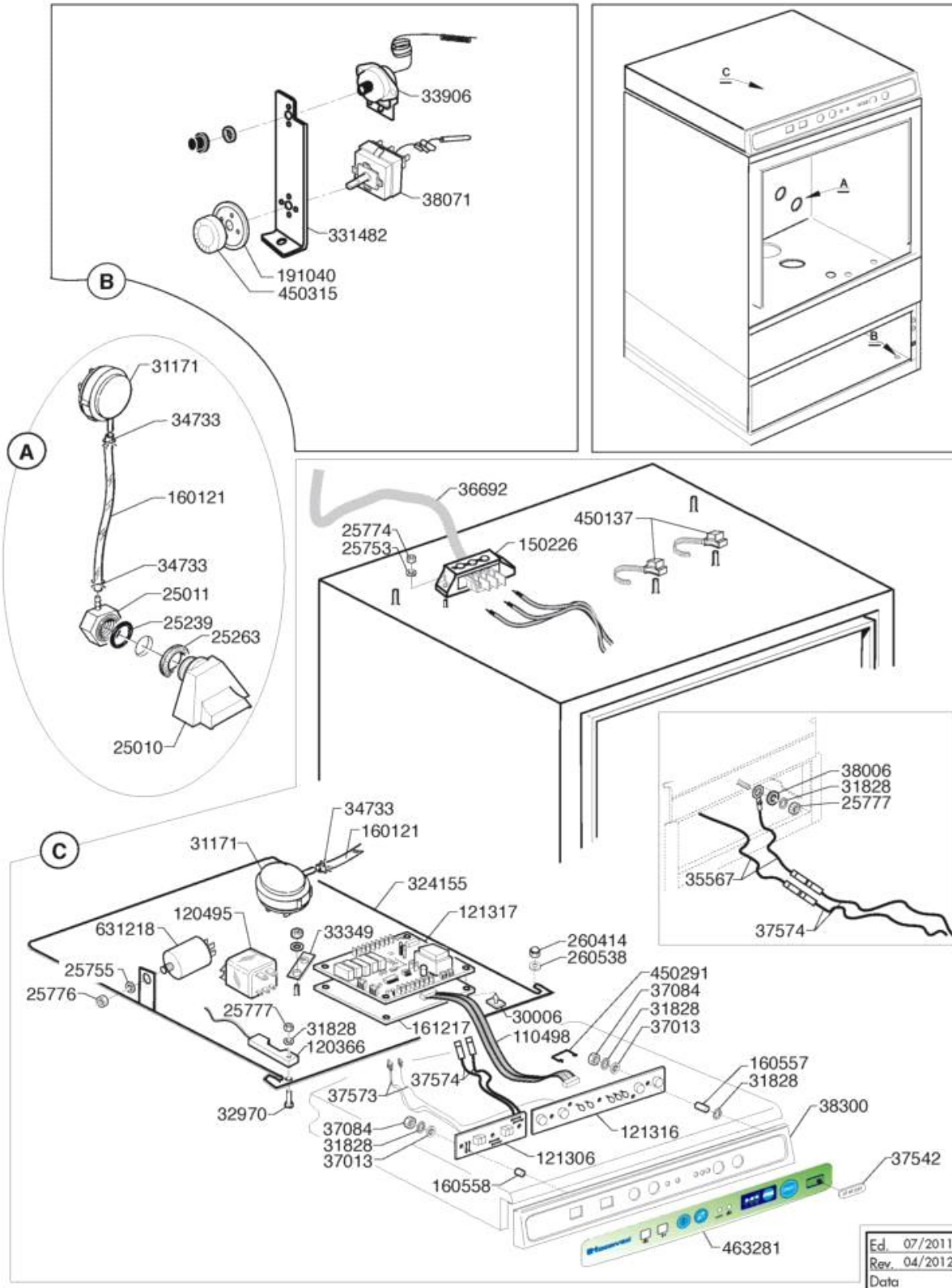
- 1 Hood ST48EBT
- 2 Control Box ST48EBT
- 3 Rinse Assembly ST48EBT
- 4 Tank ST48EBT
- 5 Wash Pump ST48EBT
- 6 Wash/Rinse Arm ST48EBT
- 7 Rinse Aid Injector ST48EBT
- 8 Drain pump ST48EBT
- 9 Detergent Pump ST48EBT
- 10 Rinse Pump ST48EBT



Ed. 01/2011
 Rev. 05/2011
 Data

Code	Description
120524	TERMOST.BIMET.DOPPIO
150838	PRESSACAVO EGB TIPO PA277 BHC
160542	MADREVITE
161406	GOMMINO x CERNIERA PORTA DX
161407	GOMMINO x CERNIERA PORTA SX
180655	PATTINO SX GUIDA LEVA P.ST/LFD
180656	PATTINO DX GUIDA LEVA P.ST/LFD
190685	BUSS.INN.MOLLA LEV.PORTA ST/BC
190687	BUSSOLA GUIDA MOLLA FERMO PORT
200494	GUARNIZIONE X TERMOSTATO BIMET
200969	GUARNIZ.xPORTA ST48E/BC(38017)
200970	QUADROTTO AD.POL.ES.150x125x10
210210	PIEDINO BASE ESAGONALE H=30
25702	SCREW CHEESE-H. KNURLED 4X14
25791	SELF-LOCKING NUT 5 MA LOWER SIDE
260126	VITE TE 5X12 INOX A2 UNI 5739
260311	VITE TSP INOX 4X12 A2 UNI61
260402	DADI STAMP. D4 INOX UNI 5588
260414	DADO AUTOBL."M5"304 BASSO TORN
260418	DADO AUTOBLOC."M4"INOX BASSO
260502	RONDEL.PIANE D4 INOX UNI 6592
260503	RONDEL.PIANE D5 INOX UNI 6592
260574	RONDELLA DENTEL.DIAM.4 D.E.
26691	SCREW TS M 4 X 8
30209	HEX.HD. SCREW 4 X 10
322776	GUIDA CEST.DX C/ST/AP43/48-BCE
322777	GUIDA CEST.SX C/ST/AP43/48-BCE
324170	PIASTRA LEVERAGGIO MOLLA ST/BC
330242	TIRANTE MOLLA LFD/BC/STE
332148	BUSSOLA PER RULLO 440517
33803	SPACE WASHER, GROWER DIAM.4
342573	CARROZZERIA ST/AP48-BC3
344012	PIASTRINA AGG.MOLLA BC
35031	BEVEL, CROSS-SL.HD SCREW M 4 X 12
351461	PANN.LATER. DX ST-AP43-48E/BC3
351472	PANN.LAT.SX ST/AP4348E-BC3(14)
352065/1	PANN.FRONT. BC NEUTRO-ST/AP 48
352200	PANNELLO POST. ST/AP48E-BC3E
36283	SELF-ADHESIVE GASKET 20X10
36511	GUARNIZIONE MASTICE 3M 08611
36920	SCREW HEX.HD M 5 X 10 A2 ZIG.
37364	PORTA CPL ST 48E STAMPATA
37376	PANNELLO SUP.COMAN. ST/AP 48 E
38300	SUPPORTO TARGA COMANDI ST 48E
38810	PIASTRINA RPI 0130 C M4

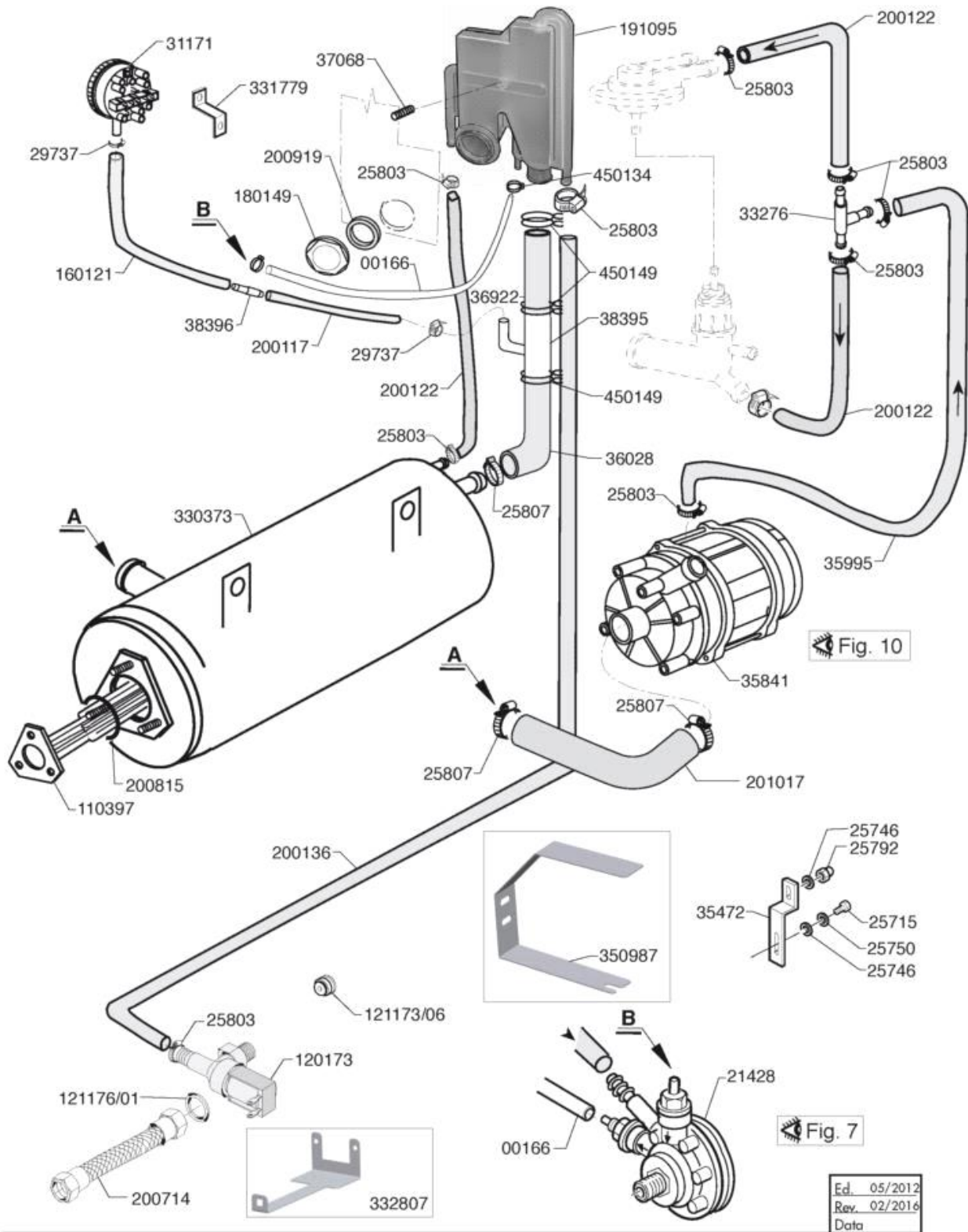
Code	Description
390307	FUNE D'ACCIAIO D.1,5 X 275
391600	PANNELLO DI FONDO BC2/3-STAP48
440517	RULLO X SCORRIMENTO FUNE LFD
450250	MOLLA LEVERAGGIO PORTA ST/BC
450290	MOLLA BIL.PORTA+PIAS.LFD/BC/ST
450821	PIASTRINA FASTNER 5 MA
450831	FASTENERS x AUTOF.3,9mm



Code	Description
110498	CAVO COLLEG. 500 MM. 10 POLI
120366	SENSORE MAGNETICO E 510
120495	RELE' TIPO 62.82 16A 250V.
121306	SCHEDA DISPLAY ROSSO TERMOMETR
121316	PULSANT.4TASTI RETROIL.LED BLU
121317	SCH.ELT.LFDE/BCE/STE RETROILL.
150226	MORSETTIERA 3 POLI
160121	TUBO GOMMA NERA 5X9 PRESSOST.
160557	DISTANZ.ALTO PER TAST.COMANDI
160558	DISTANZ.BASSO PER SCH.TERMOM.
161217	PROTEZ.TIMER ELETTR.SOFT START
191040	MASCHERINA MANOPOLA TERMOSTATI
25010	AIR TRAP
25011	COVER X AIR TRAP
25239	GASKET OR PB 701 3112 x AIR TRAP
25263	FLAT GASKET 38 X 25 X 2 A. TRAP
25753	TOOTHED SPACER.DIAM.5 D.E.
25755	TOOTHED SPACER DIAM.8
25774	NUTS 5 MA
25776	NUTS 8 MA SS 18/8
25777	NUTS 3 MA
260414	DADO AUTOBL."M5"304 BASSO TORN
260538	RONDELLA STAMP.18X6X1,5 INOX9
30006	SPACER FOR PRINTED CIRC. HOLDER
31171	PRESSURE SWITCH, RATED 28/12+-3
31828	DENTED ROUND SPACER, EX ? 3
324155	SUPP.IMP.ELETTR. BC/C/ST/AP E
32970	BEVEL, CROSS-SLOT HD. SCREW TS 3 X
331482	SQUADRETTA 2 TERMOST.BCH30
33349	INDICAT.PLATE, EARTHING
33906	THERMOSTAT DOUB.POLE 105? RANCO LM8
34733	WIRE PIPE CLAMP FOR 9,8-10,1 PIPE
35567	PROBE TEMP. NTC 3.3K YELLOW
36692	SUPPLY CABLE 3Gx1,5 H07RN-F
37013	RONDELLA PIANA M3 003030500001
37084	DADO NYLON M3
37542	TARGHETTA RES.ADES. ST48EBT
37573	FILI con CONN.AMP MOD2 x TAST.
37574	CAVETTO CONN. AMP.MOD2
38006	RONDELLA PIANA M4x12 DIN9021A2
38071	TERMOSTATO 2 TEMP. S&RIND
38300	SUPPORTO TARGA COMANDI ST 48E
450137	ATTACCO A COLLARE C/BASE 31900
450291	MOLLA BLOCC.CAVO SCHEDA H37332
450315	MANOPOLA TERMOSTATI

Code	Description
463281	TARGA COM.ST43/48/53E T/ROSSO
631218	FILTRO ANTID.PASSANTE 16A L-C

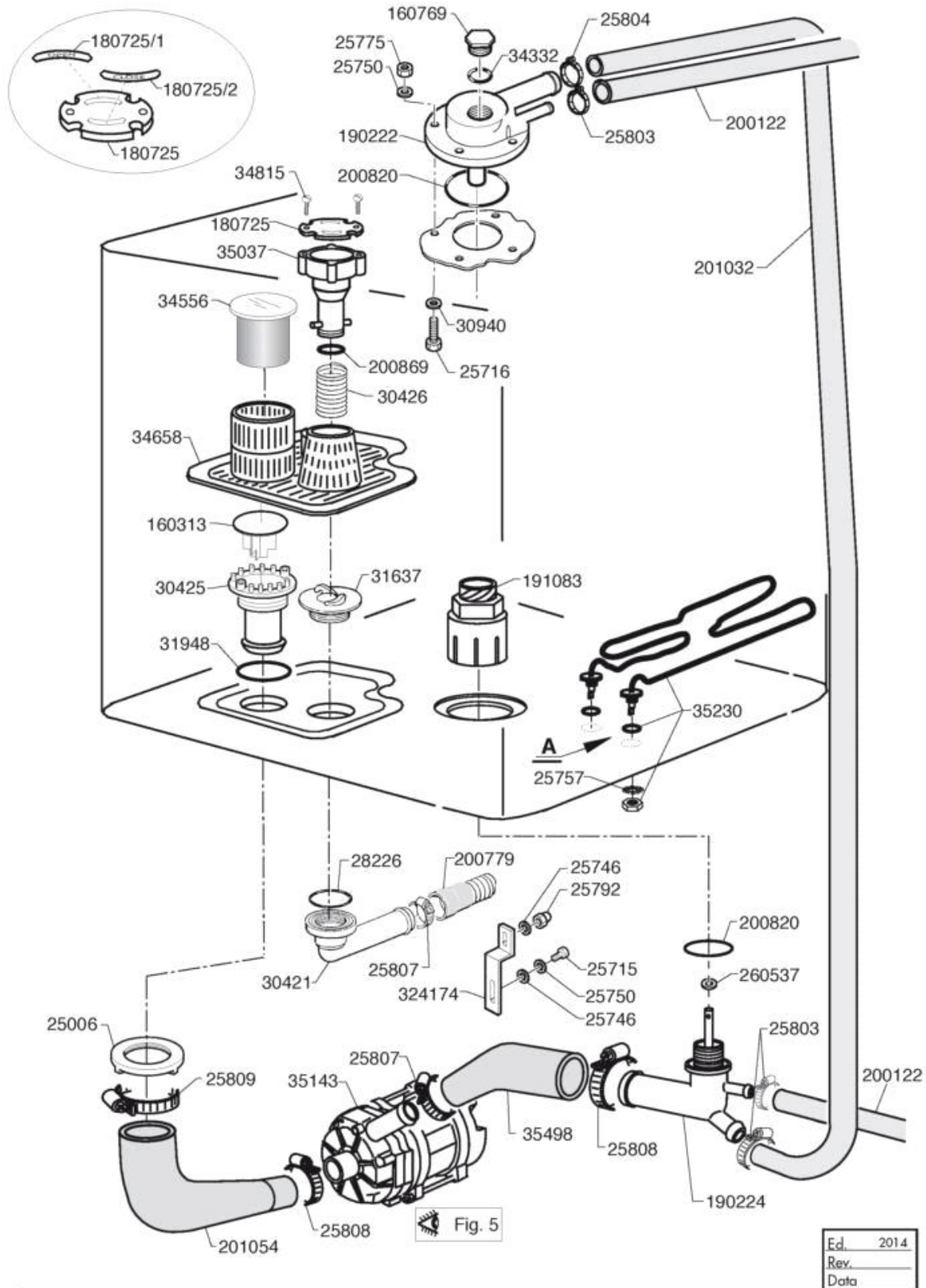
Rinse Assembly ST48EBT



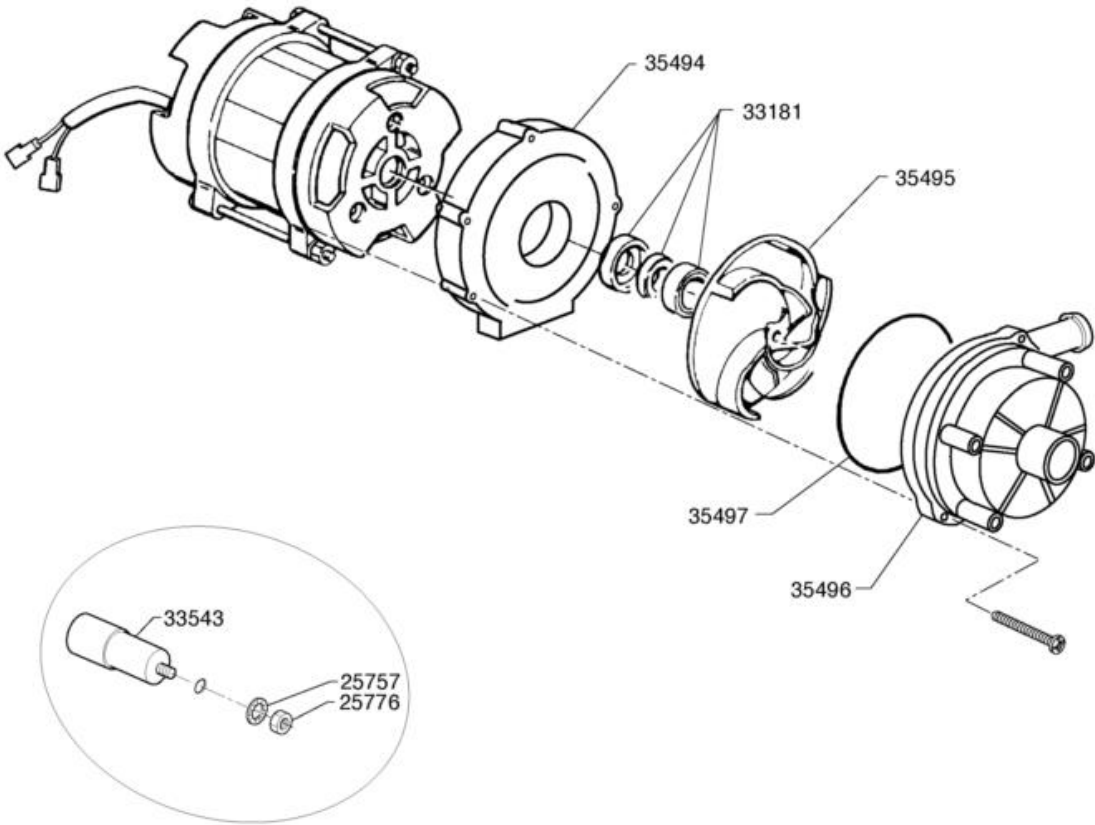
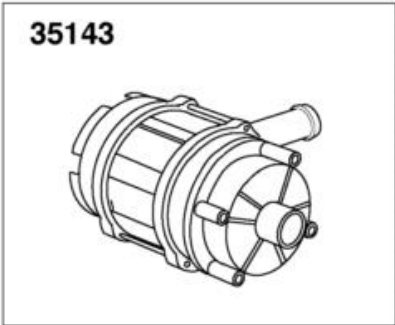
Ed. 05/2012
 Rev. 02/2016
 Data

Rinse Assembly ST48EBT

Code	Description
00166	ROLL TUBE TRANSP. 4X7
110397	RESISTENZA 3200W FL. D.47
120173	ELETTROVALVOLA TP 1VIA 180?
121173/06	REG.PORT.6,7l/min VERDE-ELBI
121176/01	REGOLAT.PORTATA 6 l/min.GRIGIO
160121	TUBO GOMMA NERA 5X9 PRESSOST.
180149	GHIERA x SERB. AIR GAP
191095	SERBATOIO BREAK TANK PLAST.
200117	TUBO GOMMA 8x15 CALORFORM/10
200122	TUBO GOMMA 11X19 CASER/15 BLU
200136	TUBO GOMMA 10x18 CERTIF. WRAS
200714	TUBO CARICO LAVABICCH.NYLON
200815	GUARNIZIONE OR 6x56x68
200919	GUARNIZIONE x PILETTA ASP.FC
201017	MANIC.ASP.POMPA RISC.LF/FC BT
21428	RINSE AID DISPENSER, COMENDA(2-2825
25715	SCREW HEX.HD M 6 X 16 SS
25746	SPACER, FLAT, DIAM.6/18
25750	SPACER, SPLITTED, DIAM. 6
25792	SELF-LOCKING NUT 6 MA LOWER SIDE
25803	HOSE CLIP 13-20 ABA
25807	HOSE CLIP 26-38 ABA
29737	FE-ZN CLAMP 9 - 12
31171	PRESSURE SWITCH, RATED 28/12+-3
330373	BOILER BCE RCD/BT
331779	SQUADRETTA PRESSOST."B"
33276	T-SHAPED CONNECTOR ?11,5-PART180413
332807	SQUADRETTA ELETTROVALVOLA BC
350987	STAFFA SUPP.POMPA RISC.BCE RCD
35472	BRACKET, PUMP STS 48 SUNK
35841	PUMP, 0,2 KW ZF131DX 230V-60BT
35995	DELIVERY SLEEVE, RINSE PUMP
36028	RUBBER HOSE, BOILER/T-SHAPE AIR GAP
36922	RUB.HOSE,TEE/SERB. A.G.L=235
37068	PRIGIONIERO FILETTATO 5X25
38395	TEE AIR GAP INOX
38396	RACCORDO DRITTO A PORTAGOMMA
450134	FASCETTA A FILO X TUB. 9,3-8,8
450149	FASCETTA A 2 FILI D.34.6x36.4



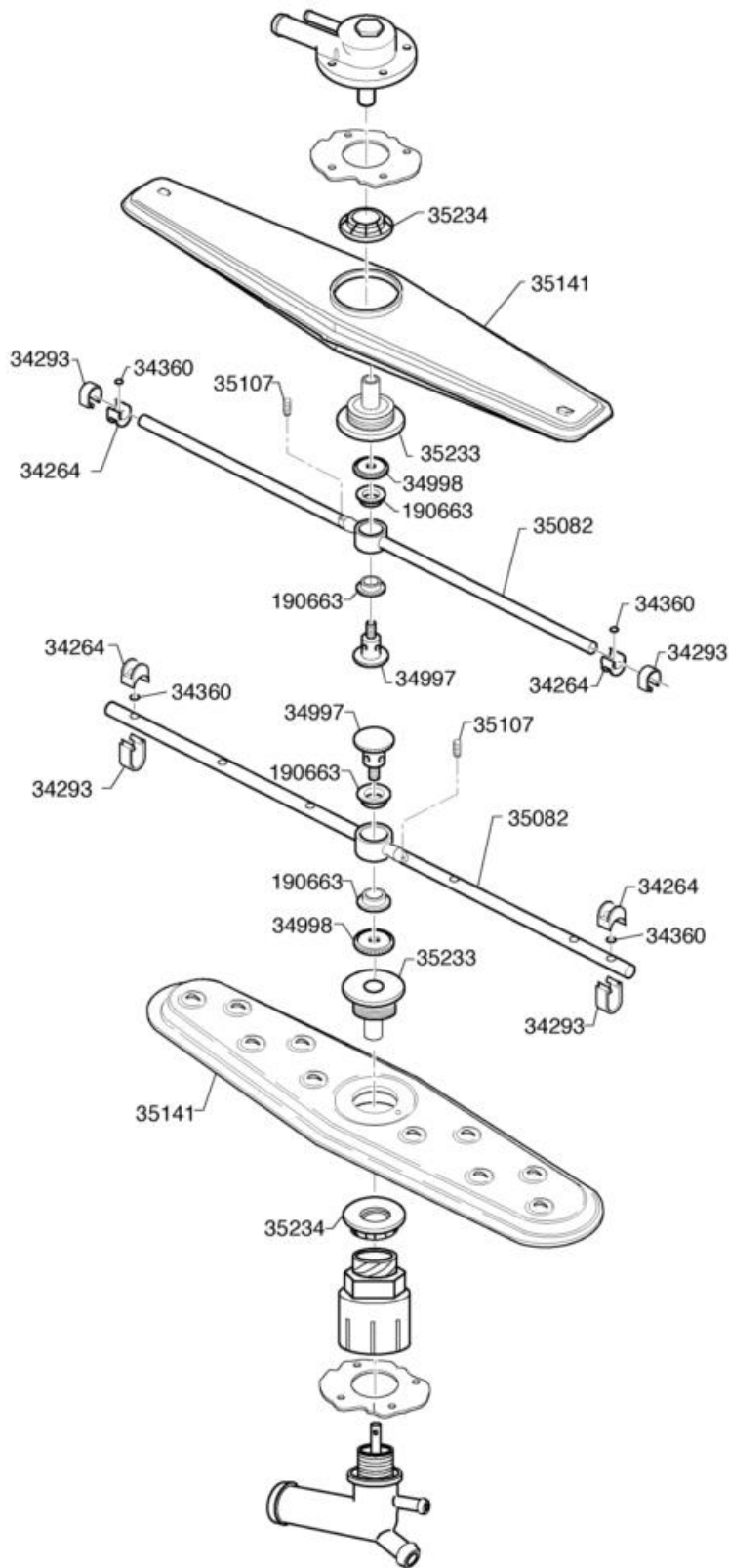
Code	Description	
160313	ROMPIGORGO ASPIR.POMPA BC	
160769	TAPPO 1/2" X SUPPORTO MULIN.	
180725	COPERCHIO TROPPOPIENO BHC ?	
180725/1	PLACCHETTA OPEN X COPER.180725	
180725/2	PLACCHETTA CLOSE XCOPER.180725	
190222	SUPPORTO MULINELLO SUP STS4348	
190224	SUPPORTO INF.LAV./RISC. STS 48	
191083	COLONNINA INFERIORE BHC	
200122	TUBO GOMMA 11X19 CASER/15 BLU	
200779	TUBO DI SCARICO BC BHC	
200820	GUARN.OR 5,33X46,99X57,6	
200869	GUARN.OR 3,53X20,22 X 27,28	
201032	TUBO MANDATA LAV.SUP.STS48/BHC	
201054	TUBO ASP.POMPA (HV35454)	
25006	NUT FO DRAIN SUCT. P.	
25715	SCREW HEX.HD M 6 X 16 SS	
25716	SCREW HEX.HD M 6 X 20 SS	
25746	SPACER, FLAT, DIAM.6/18	
25750	SPACER, SPLITTED, DIAM. 6	
25757	TOOTHED SPACER DIAM. 12 D.E.D787	
25775	NUT 6 MA	
25792	SELF-LOCKING NUT 6 MA LOWER SIDE	
25803	HOSE CLIP 13-20 ABA	
25804	HOSE CLIP 15-24 ABA	
25807	HOSE CLIP 26-38 ABA	
25808	HOSE CLIP 27-51CLAM	
25809	HOSE CLIP 40-64CLAM	
260537	RONDEL.INOX D.13X20X0,8-6592	
28226	GASKET OR 3181 FOR DRAIN LUG	
30421	DRAIN FITTING, LONG	
30425	SUCTION PIPE UNION	
30426	SPRING FOR OVERFLOW TUBE	
30940	FLAT SPACER, BLACK, DIA. 6	
31637	CROSSLESS HOOK SLEEVE	
31948	GASKET OR	
324174	SQUADRETTA POMPA ST43/48E-BC	
34332	GASKET OR 128 SUPP.PLUG	
34556	SUCTION FILTER PUMP STS-43-48-53	
34658	FILTER, TANK POLYP. 43-53/98	
34815	CROSS-SL.HD SELF-TAP.SCREW3,9 X 13	
35037	OVERFLOW TUBE 43/48 COM	
35143	WASH PUMP HP .0,3 ZF140 50 Hz	
35230	HEAT.ELEM. TANK 2000W-230V S-SHAPE	
35498	DELIVERY PIPE.H STS43-48	



Ed.	01/2011
Rev.	
Data	

Wash Pump ST48EBT

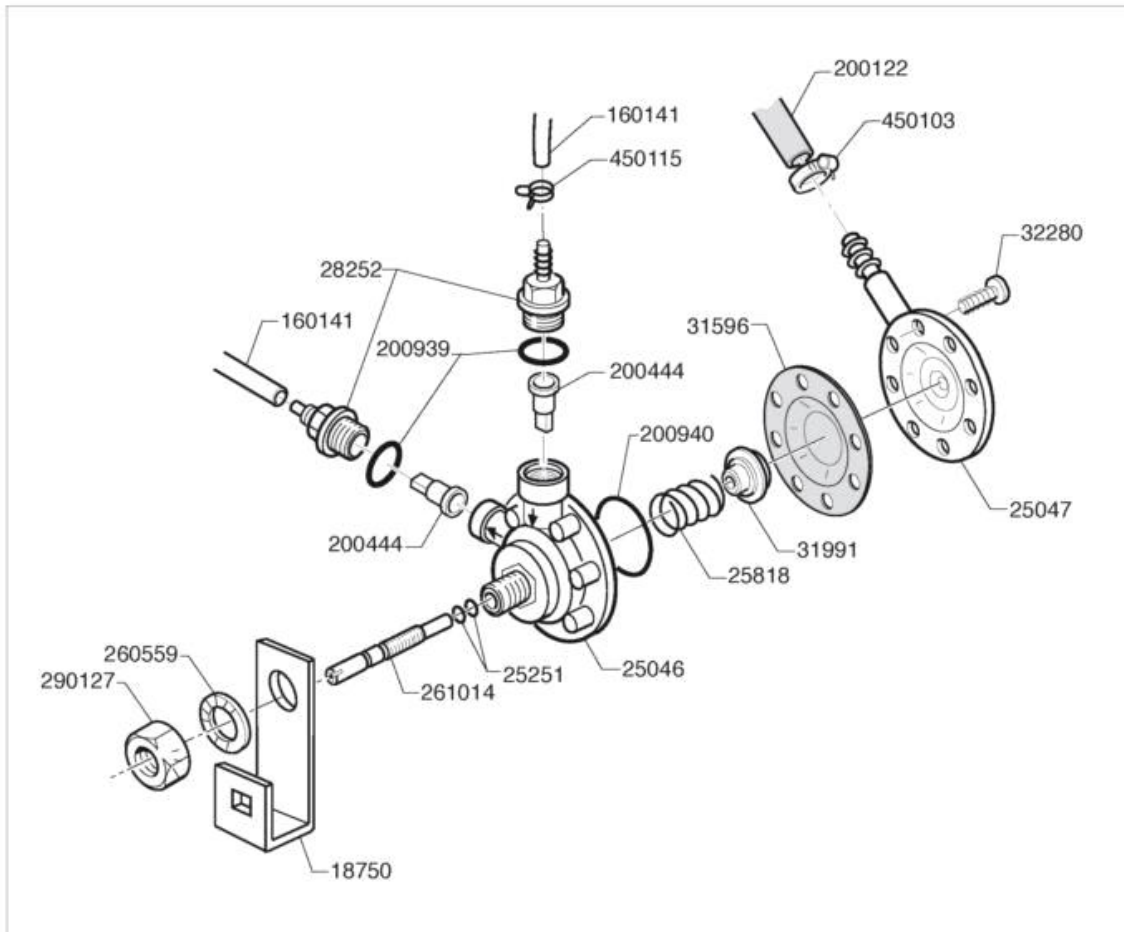
Code	Description
25757	TOOTHED SPACER DIAM. 12 D.E.D787
25776	NUTS 8 MA SS 18/8
33181	SHAFT SEAL C3 (LGB)FOR PUMP CODE 32
33543	CAPACITOR 5 UF-450 V
35143	WASH PUMP HP .0,3 ZF140 50 Hz
35494	PUMP FLANGE, ZF140 (35143)
35495	PUMP IMPELLER ZF 140 (35143)
35496	PUMP SCROLL ZF 140 (35143)
35497	GASKET OR 94,97 X 1,78 LGB



Ed.	01/2011
Rev.	
Data	

Wash/Rinse Arm ST48EBT

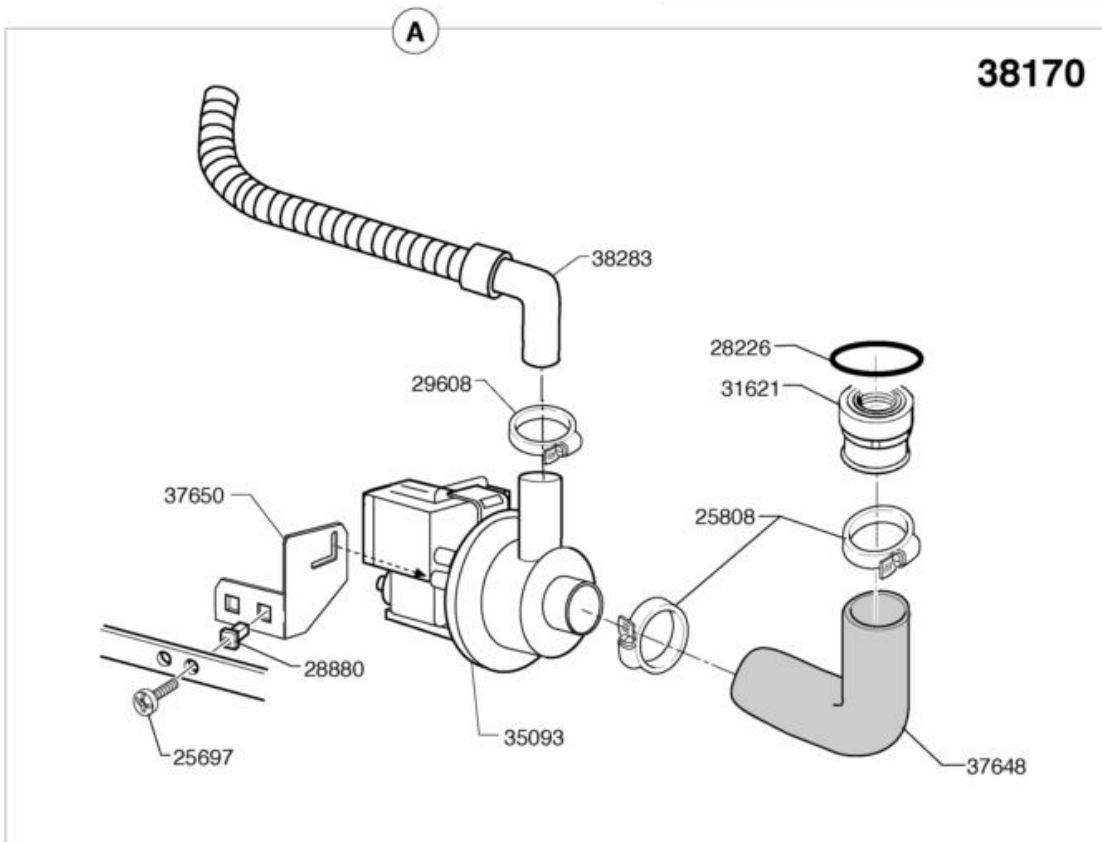
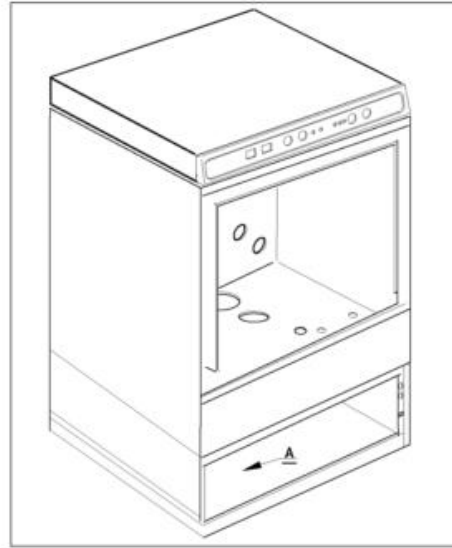
Code	Description
190663	BUSSOLA MUL.RIS.APS HFM-121407
34264	RINSE JET WITH SPRING
34293	JET LOCK SPRING
34360	GASKET OR 7 X 1 NBR 70
34997	PIN, RINSE REVOLV.ARM,RIGHT
34998	SPAC.NUT, REVOLV RINSE ARM, DX
35082	RINSE REV.ARM, 48 ROT.CLOCKWISE
35107	DOWEL FOR FLT.GSKT 4X4, DIN 913
35141	WASHARM 48 CLOCKWISE ROT.
35233	BUSH SPRING, WASH ARM STS 2?SER.
35234	NUT WASH ARM STS 2?SERIES



Ed.	01/2011
Rev.	2015
Data	

Rinse Aid Injector ST48EBT

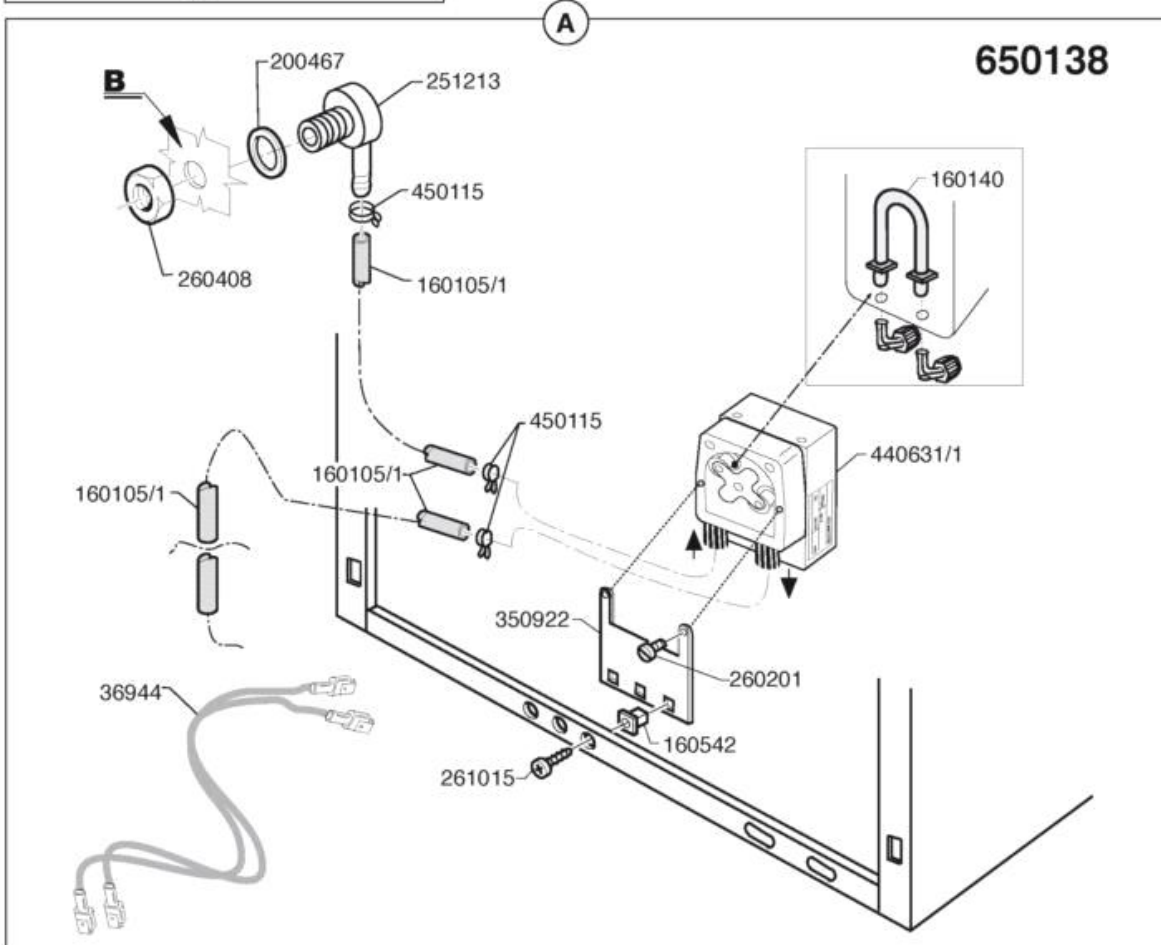
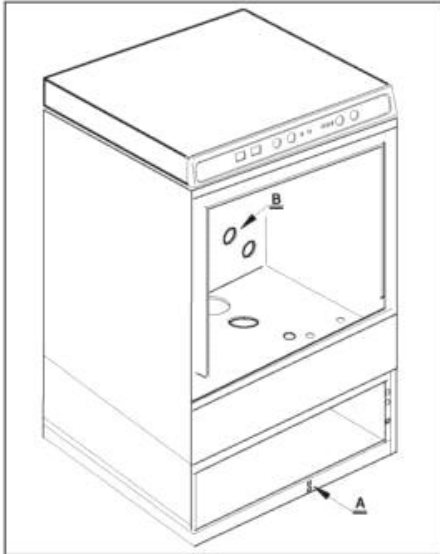
Code	Description
160141	TUBETTO TRASP. BLU 4X7 ROTOLO
18750	SQUARE, RINSE AGENT DISPENSER
200122	TUBO GOMMA 11X19 CASER/15 BLU
200444	VALVOLA ASP.DOSATORE SILICONE
200939	OR RACC.MAND/ASP.DOS.
21428	RINSE AID DISPENSER, COMENDA(2-2825
25046	UPPER DISPENSER ASSEMBLY
25047	LOWER DISPENSER ASSEMBLY
25251	GASKET OR 2012
25818	CYLINDER SPRING (WIRE)
260559	ROND.DENT.INOX A2D.12 DIN6798
261014	VITE REGOLAZIONE DOS.BRILL.HVD
28252	FITTING SUCTION DISPENSER
290127	DADO FISS. DOSATORE
31596	DIAPHRAGM, DISPENSER
31991	SPRING GUIDE FOR DISPENSER
32280	OVAL HD. CROSS-SL. SCREW 4 X 13
450103	FASCETTA FE ZN.13-20 H=9
450115	FASCETTA A DUE FILI D.8,3/7,8



Ed.	01/2011
Rev.	10/2011
Data	

Drain pump ST48EBT

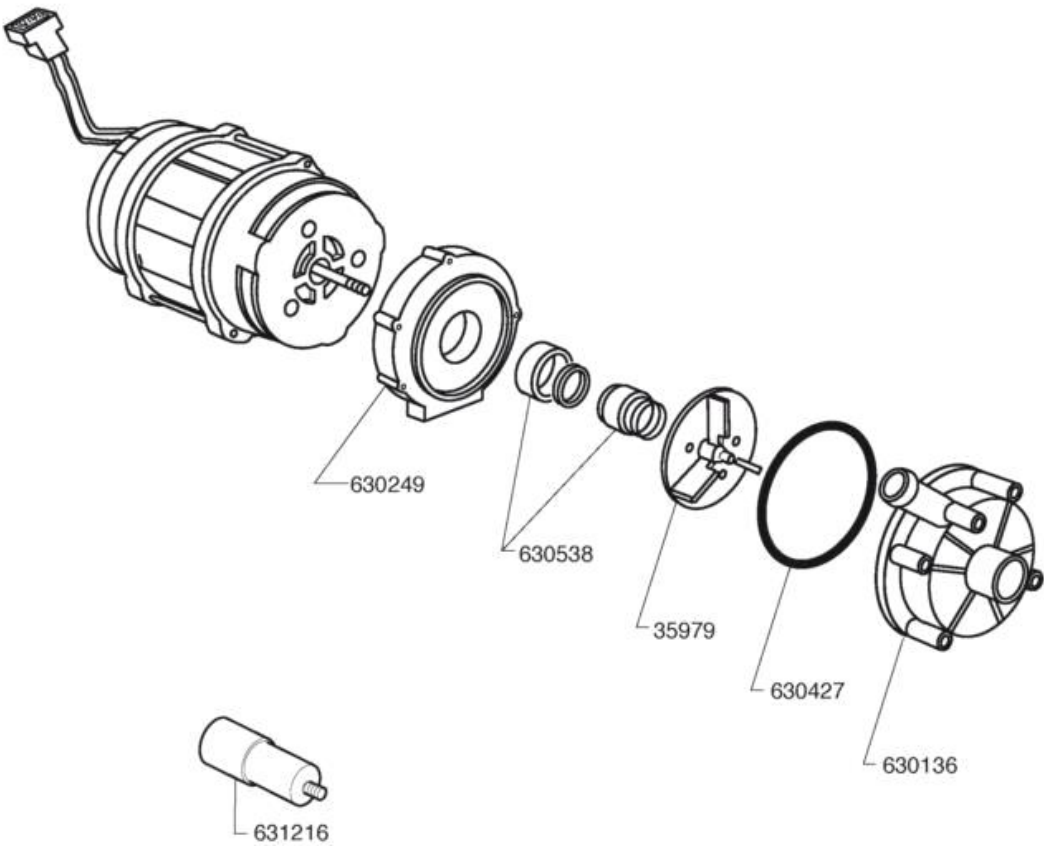
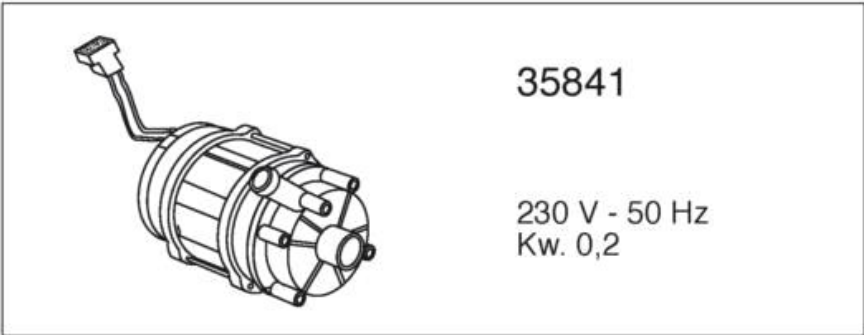
Code	Description
25697	SELF-TAPPING SCREW CHEESE D747H.ROS
25808	HOSE CLIP 27-51CLAM
28226	GASKET OR 3181 FOR DRAIN LUG
28880	NUT SCREW
29608	HOSE CLIP 17-32CLAM
31621	FITTING, DRAIN PUMP
35093	DRAIN PUMP HANNING TYPE DPS 25
37648	TUBO ASP.POMPA SCAR. AP 43/48E
37650	SQUADRETTA POMPA SC. AP 43/48E
38170	KIT PS ST43/48E
38283	TUBO DI SCARICO DIAM.18,5X2000



Ed.	2011
Rev.	2015
Data	

Detergent Pump ST48EBT

Code	Description
160105/1	TUBO FL.CRIST.D.6X4 DOS.ROSSO
160140	TUBETTO PD SEKO RACCORDO A 90°
160542	MADREVITE
200467	GUARN. DUTRAL TRAPPOLA PRESS.
251213	PORTAG.A GOMITO INOX POMPA DET
260201	VITE TCP 3X10 INOX A2 UNI 6107
260408	DADI STAMPATI D12 INOX UNI5588
261015	VITE AUTOF.T/TCROCE 4,2X13 ZIG
350922	PIASTRA FISS.PD SEKO 440631/1
36944	CONN. WIRES, DETERGENT PUMP C E
440631/1	DOS.DET.ELT.SEKO NBR-3 230V
450115	FASCETTA A DUE FILI D.8,3/7,8
650138	KIT POMPA DETERSIVO SEKO PBR3



Ed.	01/2011
Rev.	
Data	

Rinse Pump ST48EBT

Code	Description
35841	PUMP, 0,2 KW ZF131DX 230V-60BT
35979	IMPELLER ZF130 D.73 3P x (35841)
630427	GUARNIZIONE OR X POMPA ZF131DX
630538	TENUT.POMP.LGBZF131DX GIR.INOX
631216	CONDENSATORE 6,3 mF.450V