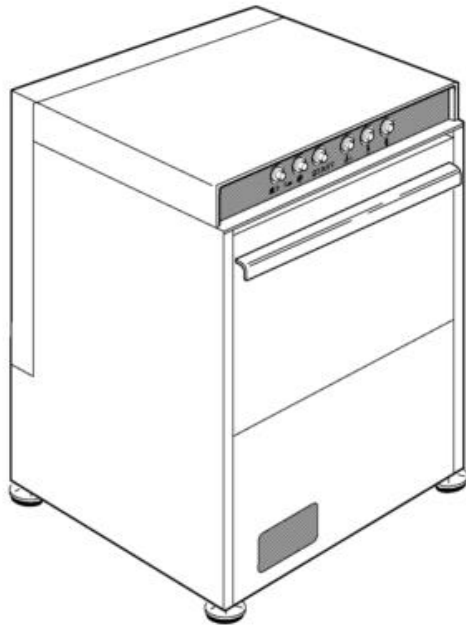


**CATALOGO RICAMBI
SPARE PARTS
PIECES DETACHEES
ERSATZTEILE
LISTA DE RECAMBIOS**



**Lavastoviglie
Lavevaisselle
Geschirrspüler
Dishwashers
Lavavajillas**

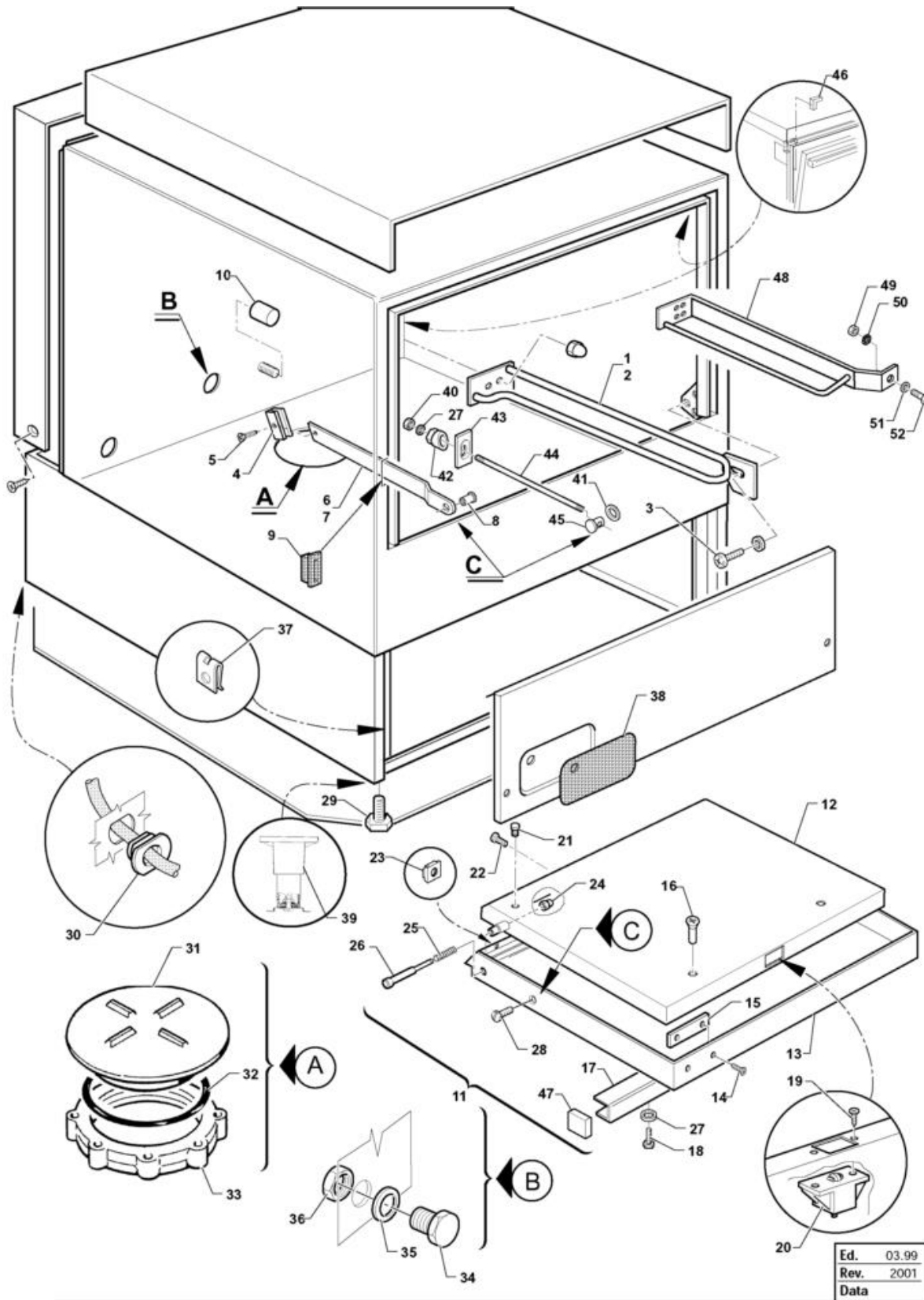
C/SP-CR/SPR

C D/SP D

CR D/SPR D

**Ed. 03.99
Rev. 2001**

- 1 Door Components
- 2 Electrical Components
- 3 Rinse / Boiler
- 4 Wash Arm
- 5 Revolver Unit
- 6 Filter / Drain / Wash Pump
- 7 Rinsaid Pump/thermostats
- 8 Water-softner
- 9 Water-softner without by-pass



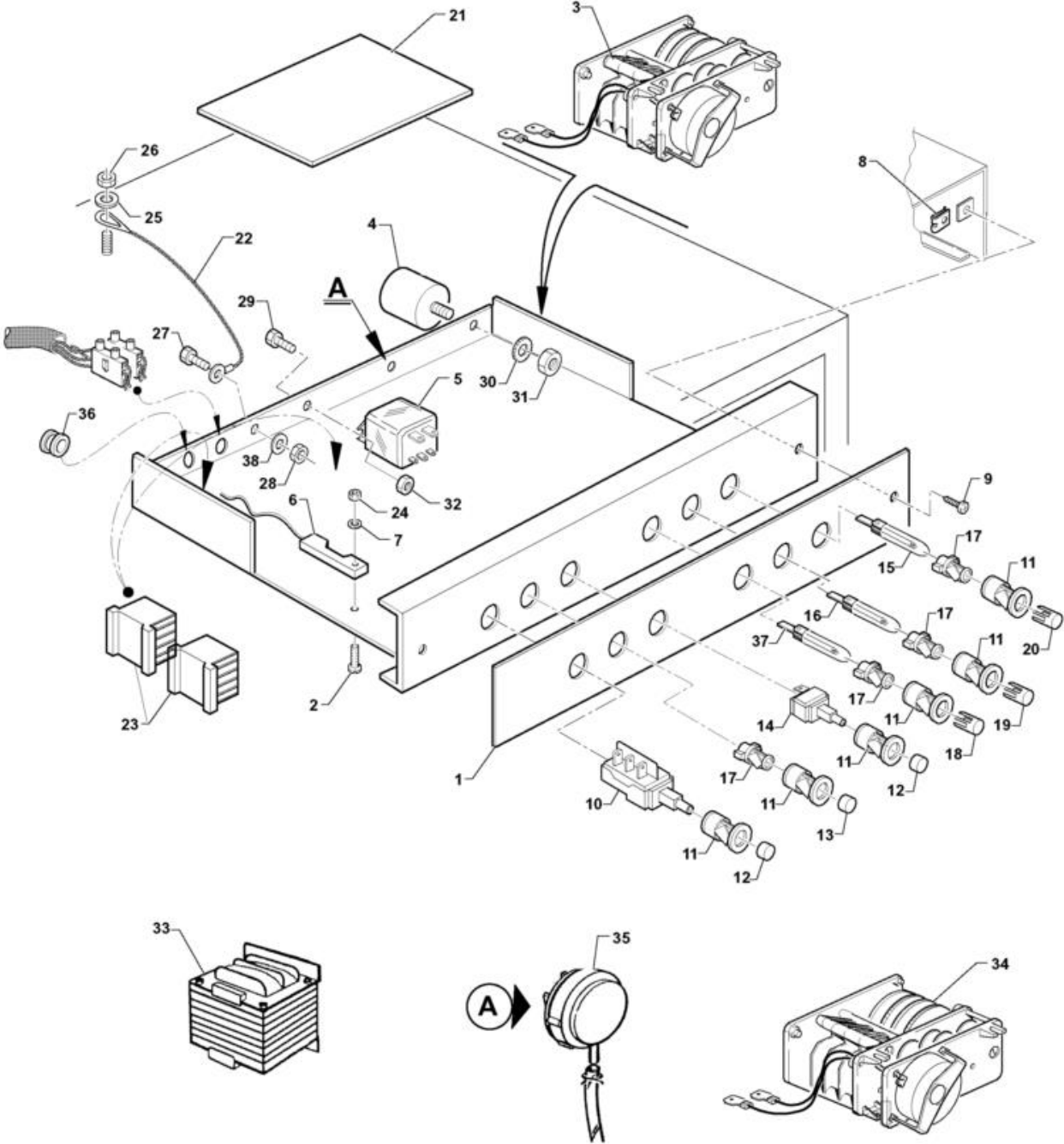
Ed.	03.99
Rev.	2001
Data	

Door Components

Code	Description
18927	GUIDE RACK SX STS-APS 43 RIN.AID
18929	GUIDE RACK SX STS-APS 48 RIN.AID
33589	RACK GUIDE, LEFT 53/60
18926	GUIDE RACK DX STS-APS 43 RIN. AID
18928	GUIDE RACK DX STS-APS 48 RIN.AID
33588	RACK GUIDE, RIGHT 53/60
26751	SCREW 1/2 FLAT ROUND HD 6 X 12
18069	STOPPER DOOR STAY
28699	CHEESE-HD SCREW TC 4 X 10
18934	DOOR STAY SX 43/53
18936	DOOR STAY SX STS 60
18935	DOOR STAY DX 43/53
18937	DOOR STAY DX STS 60
18342	BUSH FOR DOOR HINGE
30007	RUBBER FOR DOOR STAY
18145	RACK STOPPER MM.25
22162/R	DOOR ASSEMBLY CPL 43 L400xH313
33335	INNER DOOR PANEL STS/APS/C 35-43
33554	INNER DOOR PANEL STS/APS/C 48
33557	INNER DOOR PANEL STS/APS/C 53
33570	INNER DOOR PANEL STS/APS/C 60
34297	INNER DOOR PANEL C 43 HIGH
34549	INNER DOOR PANEL C 43 ALTA
34570	INNER DOOR PANEL APS/STS /C 48/98
34576	INNER DOOR PANEL APS/STS /C 53
18898	DOOR STS/APS/C 35-43
18899	DOOR STS/APS/C 48
18900	DOOR STS/APS/C 53
18901	DOOR STS/APS/C 60
34296	DOOR HOUSING, C43, HIGH
34548	DOOR CASING, APS/STS/C60/98
34565	DOOR CASING, APS-STC-C48/98
34575	DOOR CASING, APS/STS C 53
33277	SELF-TAPPING SCREW TSP 2,9 X 9,5
32969	MAGNET FOR CONTACT M350 AP
15995	BUSH SPRING FIX. HANDLE STS
18348	HANDLE FOR DOOR STS/APS/C 43
18827	HANDLE FOR DOOR STS/APS/C 48
18828	HANDLE FOR DOOR STS/APS/C 53
18829	HANDLE FOR DOOR STS/APS/C 60
25708	SCREW HEX.HD M 5 X 10 SS
26691	SCREW TS M 4 X 8
33336	ROLLER DOOR LATCH
25293	PLUG RUBBER DIAM. 10
25700	SCREW CHEESE-H. 4 X 8 KNURLED

Door Components

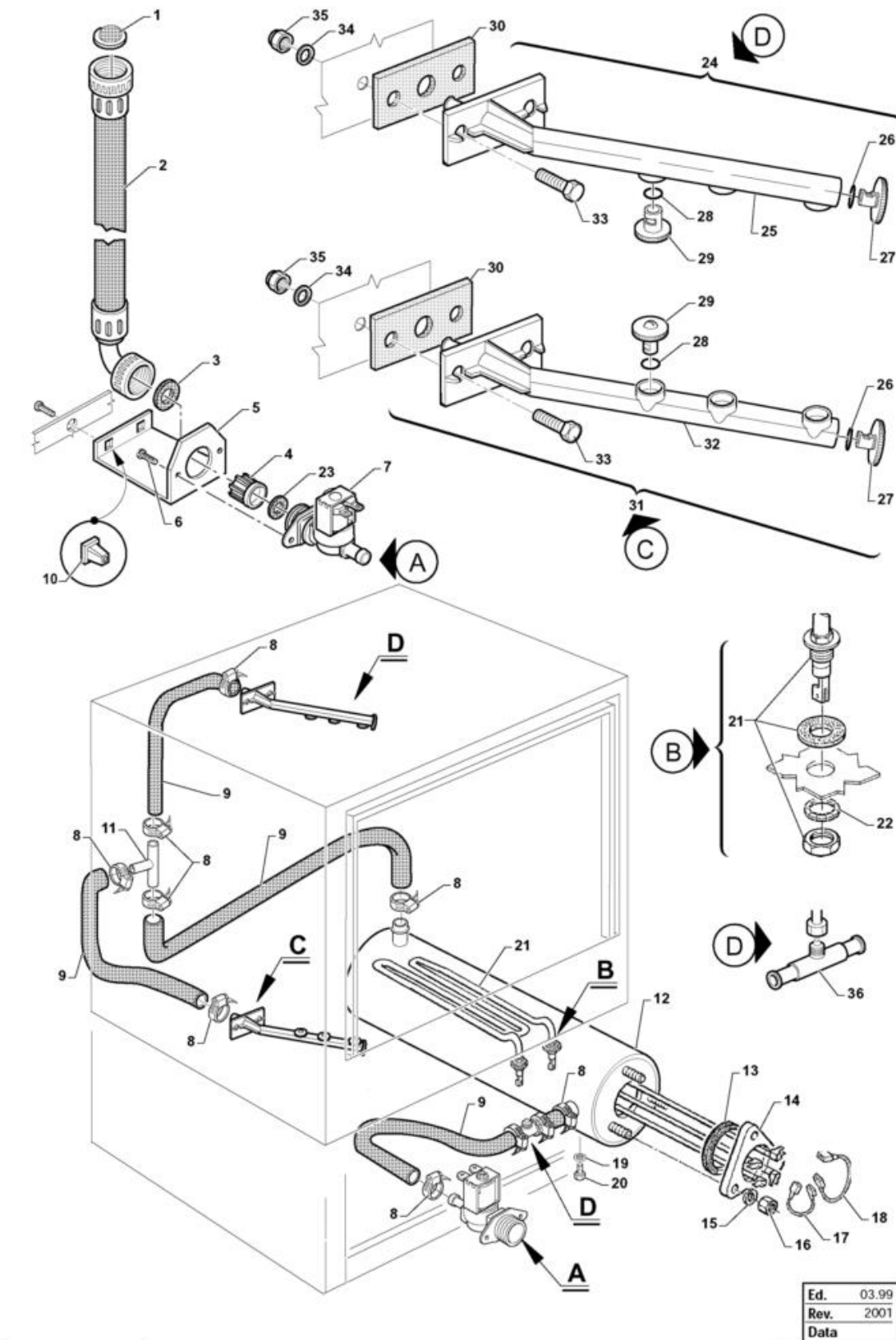
Code	Description
33179	ENCLOSED NUT 4MA
29594	NUT BLIND 4 MA
30438	SPRING FOR PIN AND DOOR
15568	MOBILE DOWEL FOR DOOR
25744	SPACER, FLAT, DIAM.5
25990	FLAT HD SCREW 5X9 SPEC. FOR ARM TOG
25209	FEET, HEXAG. BASE
33749	CABLE CLAMP PA 277
25032	CATCH PLUG
25245	GASKET OR 3281
25008	LOCK. NUT FOR TANK PLUG
26966	HOLE CLOSING PLUG
25266	FLAT GASKET 18 X 10 X 2
27155	PLASTIC NUT10 M
25831	PLATE FOR SELFTHREAD. SCREW SIDES 7
33705	NAMEPLATE, FRONT PANEL C 43
331211	PIEDINO REGOLABILE PER NAVE
25791	SELF-LOCKING NUT 5 MA LOWER SIDE
160838	ANELLO PER PERNO PORTA
190619	FERMO TIRANTE PORTA B-F-R
331461	PIASTRINA PER TIRANTE X 34142
34142	ROD FOR DOOR 43-53
34144	ROD FOR DOOR 60-80
34143	PIN FOR ROD DOOR
34470	RUBBER PROTECT.CORNER, TANK LABYR.
34015	PLUG END HANDLE, LEFT
34016	PLUG END HANDLE, RIGHT
35226	GUIDE RACK C/STS 43 - 2?S
25775	NUT 6 MA
35304	TOOTHED WASHER DIA.6
25745	SPACER, FLAT, DIAM.6
25715	SCREW HEX.HD M 6 X 16 SS



Ed.	03.99
Rev.	2001
Data	

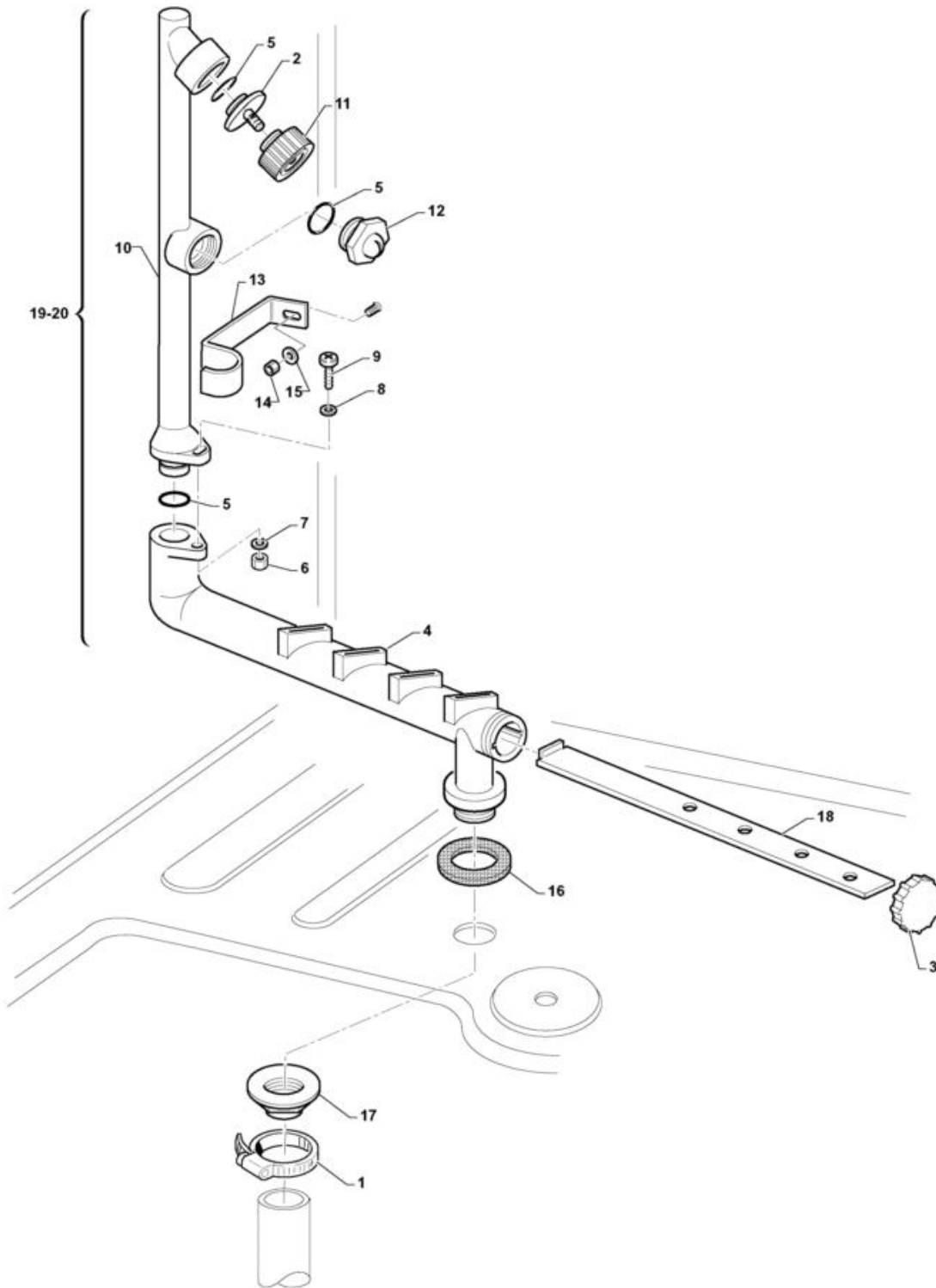
Electrical Components

Code	Description
33713	NAMEPLATE, CONTROLS C 43
33715	NAMEPLATE, CONTROLS C 48
33717	NAMEPLATE, CONTROLS C 53
33719	NAMEPLATE, CONTROLS C 60
32970	BEVEL, CROSS-SLOT HD. SCREW TS 3 X
30347	TIMER P26/2-3CR-120"-220V
31324	NOISE FILTER, TYPE 5001
33324	RELAY, JA 1CIM-220 VAC-DARE34312
34312	T.RELAY A2S FA 16A 230V
33188	MAGNETIC SENSOR
31828	DENTED ROUND SPACER, EX ? 3
25831	PLATE FOR SELFTHREAD. SCREW SIDES 7
25697	SELF-TAPPING SCREW CHEESE D747H.ROS
32872	SWITCH SA SINGLE POLE D
33247	SUPPORT LAMP HOLDER, BRIGHT GREY
32890	BRIGHT GREY PUSH-BUTTON,
32916	PLUG D 16
29529	UNIPOLAR PUSHBUTTON NA
32892	NEON LIGHT BULB "GREEN" FL-T FM6,3
28870	PILOT LIGHT BULB -LUX FM6,3 230V.
32891	LIGHT BULB HOLDER
32867	CAP, ?16 "RED"
34198	COVER, D16 "BLUE"
32869	CAP, ?16"ORANGE"
32868	CAP, ?16"GREEN"
34088	PROTECT. CONTROLS ELECTR.APPL. C/CR
34046	NYLON ROIPE, DRAWER LIMIT STOP
31873	REMOTE SWITCH 220-240V- B6-30-10
25777	NUTS 3 MA
25744	SPACER, FLAT, DIAM.5
25774	NUTS 5 MA
25716	SCREW HEX.HD M 6 X 20 SS
25723	SCREW HEX.HD 6 X 20 BRASS
25775	NUT 6 MA
25700	SCREW CHEESE-H. 4 X 8 KNURLED
25757	TOOTHED SPACER DIAM. 12 D.E.D787
25782	NUT 8 MA
25773	NUTS 4 MA SS 18/8
34357	TRANSFORM.100VA115\200\400\440S.230
34402	TIMER P26/15 4CR 120"-230V.
31171	PRESSURE SWITCH, RATED 28/12+-3
34305	CABLE RACEWAY STEAB 6211/16/21
34236	PILOT LIGHT, BLUE BULB 230V
25745	SPACER, FLAT, DIAM.6
25751	SPACER. SPLITTED, DIAM. 8



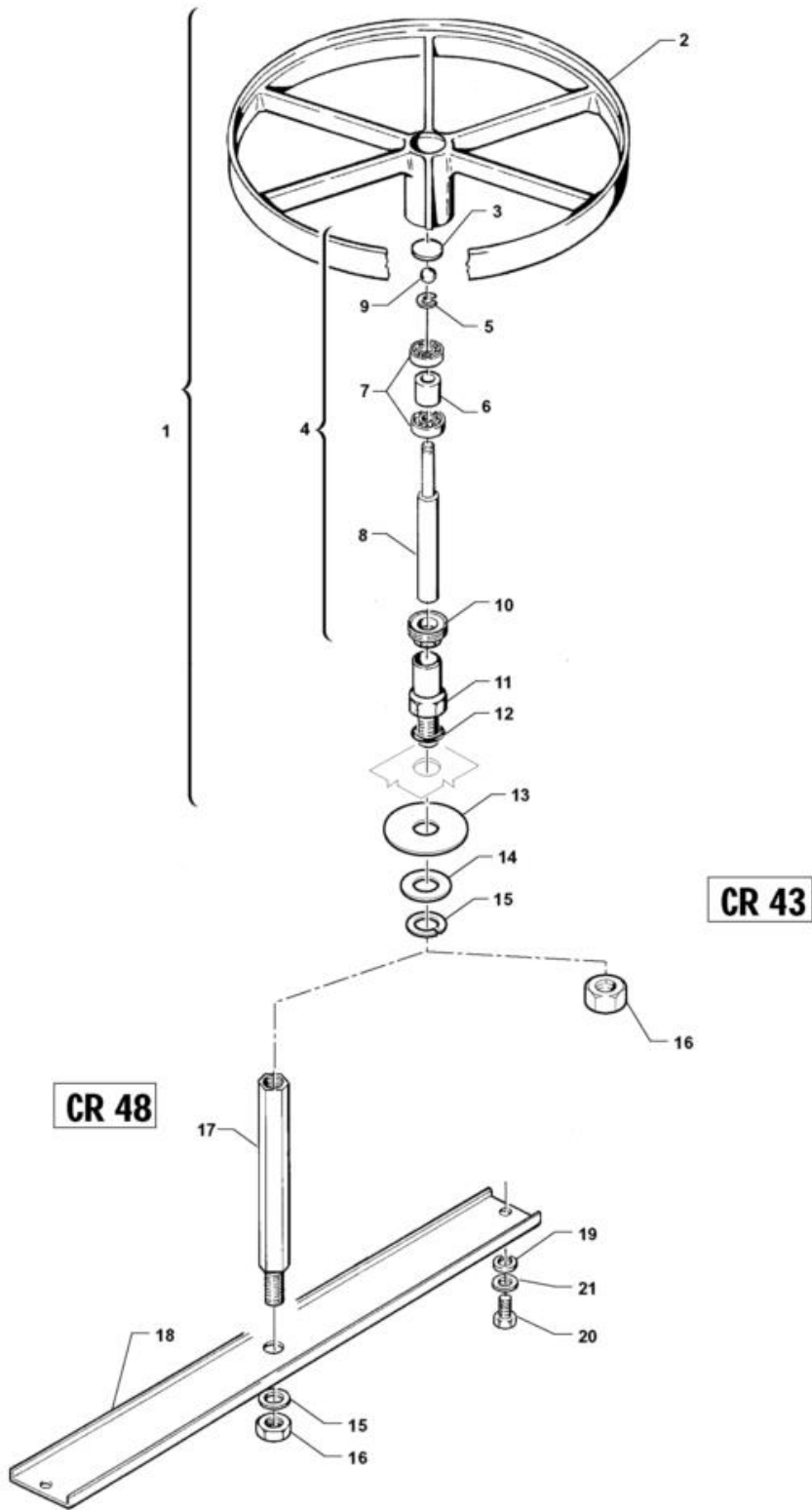
Ed.	03.99
Rev.	2001
Data	

Code	Description
30541	FILTER ON FILLING HOSE 3/4"
25235	INLET HOSE 3/4" 60 ATE
25269	FLAT GASKET
26981	FILTER X SOLENOID V.T/N
17901	SOLENOID VALVE HOLDER
25700	SCREW CHEESE-H. 4 X 8 KNURLED
26629	SOLENOID VALVE, SING.3/4" T/N
25803	HOSE CLIP 13-20 ABA
00182	HOSE 11X19 CASER/15"BLUE"
28880	NUT SCREW
33276	T-SHAPED CONNECTOR ?11,5-PART180413
18683	BOILER C 35-C/CR/STS 43-48
29938	GASKET OR 6150
25356	HEATING ELEM.BOILER 3000 W 230V
30008	HEATER FOR.BOOST.2800W HOLD.DAL
25750	SPACER, SPLITTED, DIAM. 6
25775	NUT 6 MA
25575	JUMPER L=100, 2,5 mm2 BLUE
25576	JUMPER L=170, 2,5 mm2, RED
25274	FLAT GASKET 12 X 6 X 2
26863	HEX HD SCREW 6 X 8 STAINLESS S.
30443	HEATING EL., TANK 2000 W-230 V
25757	TOOTHED SPACER DIAM. 12 D.E.D787
34132	CONTROL QTY 8 LT.
33789	UPPER RINSE ARM
33792	GASKET OR 2,62X9,13X14,37
33793	PLUG, RINSE ARM
33790	GASKET OR 2X9,5X13,5 F.S.
33791	RINSE JET, ROT.ARM
33784	GASKET FOR LOWER/UPPER RINSE CR
33794	LOWER RINSE ARM
25705	SCREW HEX.HD M 5 X 16 SS 18/8
25744	SPACER, FLAT, DIAM.5
25791	SELF-LOCKING NUT 5 MA LOWER SIDE
33817	T-CONNECTOR FOR DISPENS. HOONV.



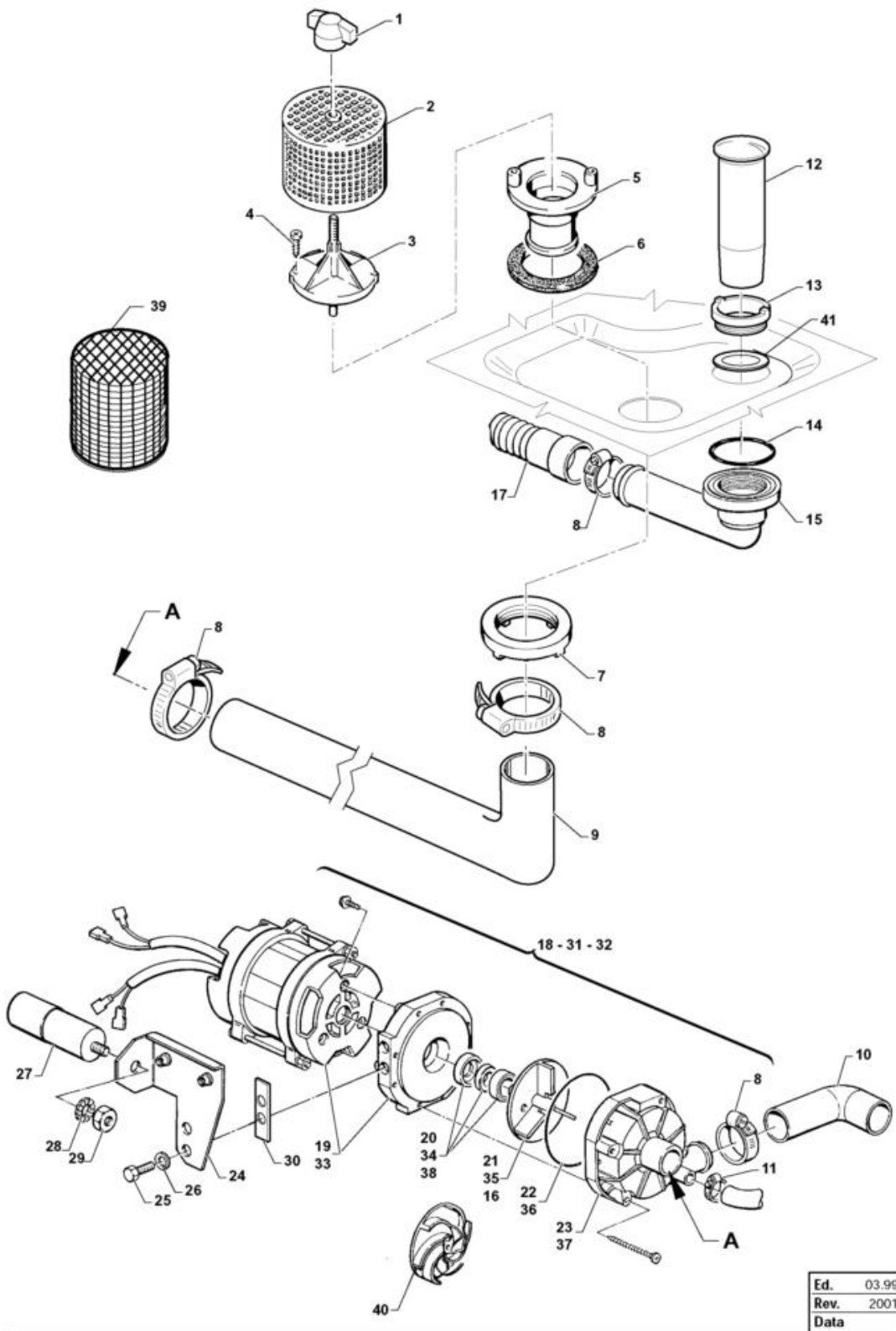
Ed.	03.99
Rev.	2001
Data	

Code	Description
25807	HOSE CLIP 26-38 ABA
33801	DIFFUSER, WASH JET
33796	PLUG, WASH TUBE
33795	LOWER WASH HOSE
33798	GASKET OR 2,62X17,12X22,36
25773	NUTS 4 MA SS 18/8
33803	SPACE WASHER, GROWER DIAM.4
25743	SPACER, FLAT, DIAM. 4
25702	SCREW CHEESE-H. KNURLED 4X14
33800	UPPER WASH HOSE 43
33805	UPPER WASH HOSE 48
33802	WASH JET, CROWN-SHAPED
33799	WASH JET, BLADE-SHAPED
34018	JUMPER, WASHARM CR 49
34025	JUMPER, WASHARM VER CR48
25774	NUTS 5 MA
25744	SPACER, FLAT, DIAM.5
25263	FLAT GASKET 38 X 25 X 2 A.TRAP
15242	NUT 1" FOR TANK HEATING ELEM.
33797	PLATE, WASH TUBE

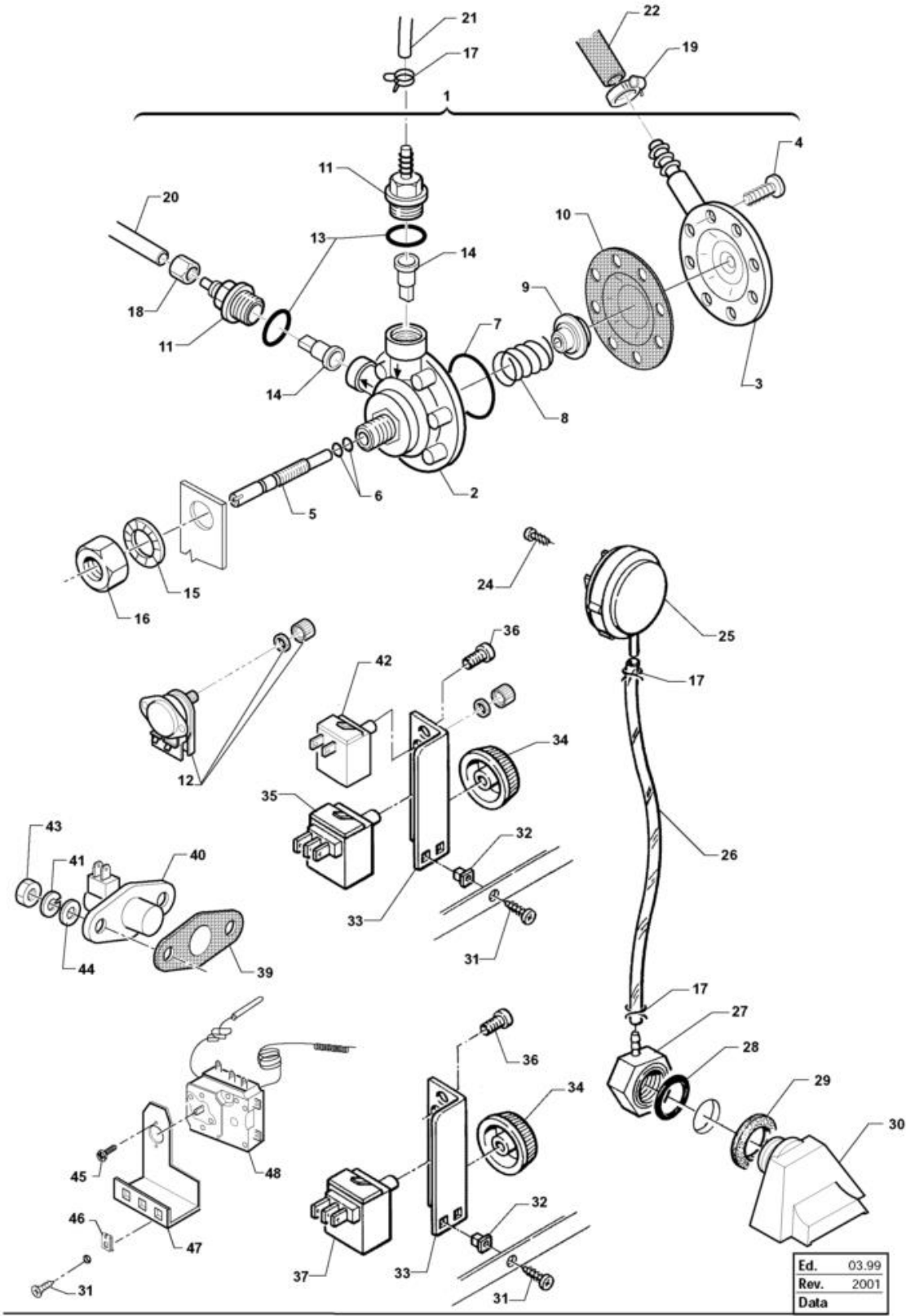


Ed.	03.99
Rev.	2001
Data	

Code	Description
20072/R	REVOLV.UNIT PREASS. 42
25053	SMALL RACK GUIDE
15284	BASE FOR SMALL REVOLVING UNIT
21487	REVOLV.UNIT SHAFT,PREASS. S/E 42
25795	ELASTIC RING *
15208	DISTANCE BUSH RACK GUIDE
26232	BALL BEARING X RACK GUIDE L 9
15287	SHAFT REVOLVING UNIT WITH SPHERE
27232	BEARING 3/16" , REVOLV.UNIT 18/8
27285	NUT RACK GUIDE, SMALL
15233	HUB REVOLVING UNIT DIAM. 15
25242	GASKET OR 123
33825	REINFORC.DISC FOR HUB 2X70
25765	SPACER, FLAT, DIAM.16
25769	SPACER , SPLITTED, DIAM. 16
25784	NUTS 16 MA SHORT
34027	HEXAG. ARM CR 48
34023	CROSSBAR, BASE CR 48
25768	SPACER SPLITTED DIAM. 8
25740	SCREW HEX.HD 8 X 20 KNURLED
25759	SPACER, FLAT, DIA.16, ZINCATED



Code	Description
25179	WING NUT, RINSE ARM
32881	OUTLET SLEEVE C3-4
34330	DELIV. SLEEVE WASH C 43-48
25803	HOSE CLIP 13-20 ABA
33735	OVERFLOW TUBE C 43/48
33734	NUT FOR DRAIN C 43/48
28226	GASKET OR 3181 FOR DRAIN LUG
30421	DRAIN FITTING, LONG
34227	IMPELLER FIR 0239315
34106	DRAIN TUBE DR. D.20X1500
32926	DRAIN WASH PUMP HP0,15 50/60 HZ
33180	PUMP BODY (32926) LGB
25021	NET FILTER, SMALL SIZE
33181	SHAFT SEAL C3 (LGB)FOR PUMP CODE 32
33841	IMPELLER DIAM.73, 3-BLADE, M7SX
33183	GASKET OR 75,87X2,62 LGB
33184	ELECTR.PUMP SCROLL, LGB (34225)
33758	PLATE, PUMP C 43
33769	PLATE, PUMP C 48
25715	SCREW HEX.HD M 6 X 16 SS
25750	SPACER, SPLITTED, DIAM. 6
32712	CAPACITOR UF 6,3-450 V CPL.
33543	CAPACITOR 5 UF-450 V
25757	TOOTHED SPACER DIAM. 12 D.E.D787
25782	NUT 8 MA
25019	ANTIVORTEX DISC 40-42-52-60
33998	VIBR.PROOF RUBBER GASK. FOR PUMP
34194	WASH PUMP HP.0,3 ZF 171
34221	PUMP HOUSING FIR PM 4229320
34222	SHAFT SEAL 11-24-11/13-26-5,5
34223	IMPELLER FIR 2229315
34224	GASKET OR O 79,8 SP.2,6
34225	PUMP COVER 2212303/HO
34226	SHAFT SEAL12-24-14/13-26-5,5
34557	SUCTION FILTER PUMP C-CR-43-48
25688	SELF-TAPPING SCREW CHEESE-H. 4,2X2
35325	IMPELLER LGB 0108 X ZF171(34194)
25001	BUSH, SPRING FILTER
31423	FLAT GASKET 65X51X3
25006	NUT FO DRAIN SUCT. P.
25807	HOSE CLIP 26-38 ABA
33743	SUCTION SLEEVE. C 43/48

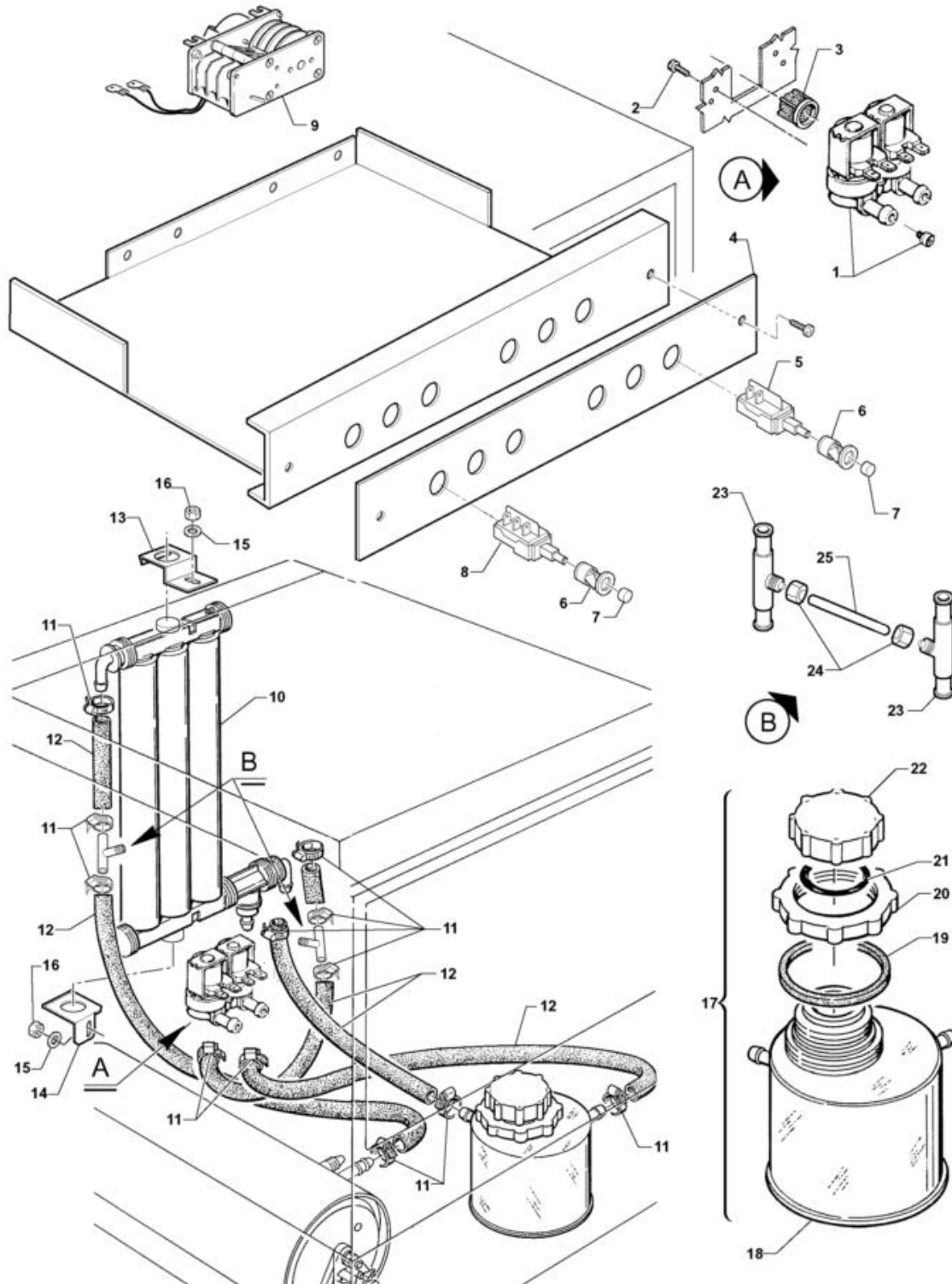


Rinsaid Pump/thermostats

Code	Description
22060	RINSE AID DISP.PREASS."YELLOW"1?
25046	UPPER DISPENSER ASSEMBLY
25047	LOWER DISPENSER ASSEMBLY
25697	SELF-TAPPING SCREW CHEESE D747H.ROS
18394	SCREW CONTROL DISPENSER
25251	GASKET OR 2012
32243	GASKET OR 3156
25818	CYLINDER SPRING (WIRE)
31991	SPRING GUIDE FOR DISPENSER
31596	DIAPHRAGM, DISPENSER
32084	FITTING KIT, SUCT/DELIV.VLV RINSE A
33906	THERMOSTAT DOUB.POLE 105? RANCO LM8
32831	GASKET OR 2062
25211	NON RETURN VALVE RINSE AID DISP.
25757	TOOTHED SPACER DIAM. 12 D.E.D787
15229	LOCK NUT AID DISPENSER
34733	WIRE PIPE CLAMP FOR 9,8-10,1 PIPE
15228	RING FOR RINSING SOLUTION TUBE
25803	HOSE CLIP 13-20 ABA
00162	ROLL TUBE 6X4 RILSAN
00166	ROLL TUBE TRANSP. 4X7
00182	HOSE 11X19 CASER/15"BLUE"
26640	SCREW, PRESSURE SWITCH *
31171	PRESSURE SWITCH, RATED 28/12+-3
00181	SILICONE PRESSURE TUBE 4x7
160121	TUBO GOMMA NERA 5X9 PRESSOST.
25011	COVER X AIR TRAP
25239	GASKET OR PB 701 3112 x AIR TRAP
25263	FLAT GASKET 38 X 25 X 2 A.TRAP
25010	AIR TRAP
25697	SELF-TAPPING SCREW CHEESE D747H.ROS
28880	NUT SCREW
17955	DOUBLE SQUARE FOR PRESS.GAUGES
25092	HANDLE, BLACK WHITE INDEX
25417	THERMOSTAT 30-90? MT. 2
25699	SCREW CHEESE-H. 4 X 6
30939	THERMOSTAT 0-80?C C.1000
200494	GUARNIZIONE X TERMOSTATO BIMET
33948	BIMET. THERMOSTAT, DOUBLE CONTACT
25752	TOOTHED SPACER DIAM.4 D.E.
33745	LIMITER 110? MANUAL RESET
25773	NUTS 4 MA SS 18/8
25743	SPACER, FLAT, DIAM. 4
25700	SCREW CHEESE-H. 4 X 8 KNURLED
25831	PLATE FOR SELFTHREAD. SCREW SIDES 7

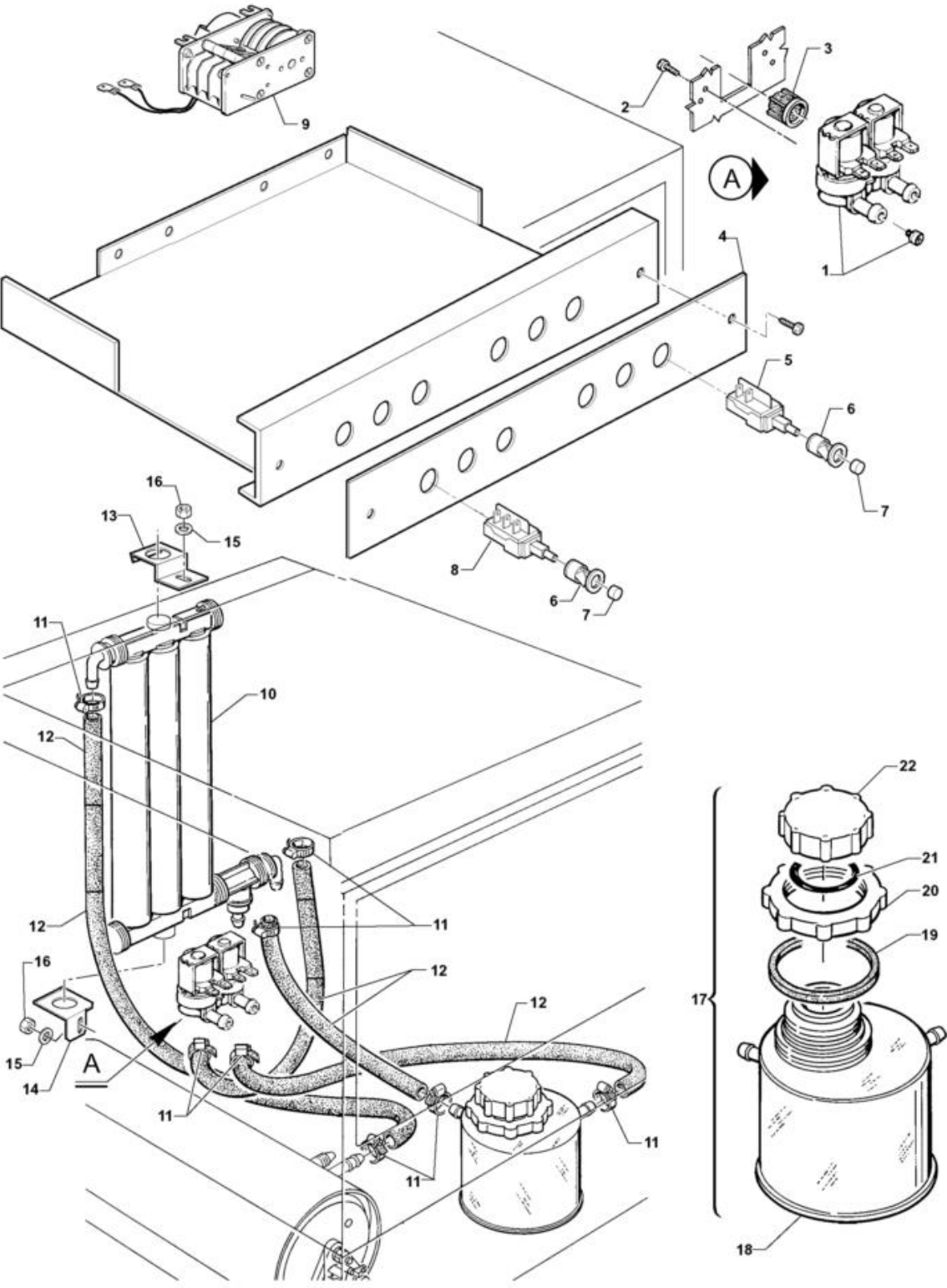
Rinsaid Pump/thermostats

Code	Description
34678	BRACKET, THERMOSTAT COTHERM
34534	THERMOSTAT ASS.COTHERM 87-109?



Ed.	03.99
Rev.	2001
Data	

Code	Description
33889	REDUCER, SOLENOID V. REGENER
25700	SCREW CHEESE-H. 4 X 8 KNURLED
26981	FILTER X SOLENOID V.T/N
33713	NAMEPLATE, CONTROLS C 43
33715	NAMEPLATE, CONTROLS C 48
33717	NAMEPLATE, CONTROLS C 53
33719	NAMEPLATE, CONTROLS C 60
34201	NAMEPLATE, CONTROLS SPR 36 D
34203	NAMEPLATE, CONTROLS SPR 41 D
34206	NAMEPLATE, CONTROLS SP 40 D
34208	NAMEPLATE, CONTROLS SP 45 D
34210	NAMEPLATE, CONTROLS SP 50 D
29529	UNIPOLAR PUSHBUTTON NA
33247	SUPPORT LAMP HOLDER, BRIGHT GREY
32890	BRIGHT GREY PUSH-BUTTON,
33596	SWITCH, DOUB.POLE SAA1C14110
26880	TIMER REGENERATION 20" X S/E NKD
33590	WATER SOFTENER 3 COLUMNS
25803	HOSE CLIP 13-20 ABA
00182	HOSE 11X19 CASER/15"BLUE"
33593	SUPP.BRACKET, UPPER DEPUR. STS
33594	SUPP.BRACKET, LOWER DEPUR. STS
25745	SPACER, FLAT, DIAM.6
25774	NUTS 5 MA
20151	SALT CONTAINER FOR SPARE PART 1Kg.
25051	SALT CONTAINER COMPLETE
25265	FLAT GASKET X RESERV. SALT
25033	SALT NUT -> SEE 25051
25246	GASKET OR X SALT CONTAIN.
25034	PLUG, SALT CONTAIN. -> 25051
33973	HOSE FITTING COM 180411
33974	NUT FOR FITTING COM 180130
33975	PIPE 6.5X1.1 COM 160117



Ed.	03/2003
Rev.	
Data	

Water-softner without by-pass

Code	Description
33889	REDUCER, SOLENOID V. REGENER
25700	SCREW CHEESE-H. 4 X 8 KNURLED
26981	FILTER X SOLENOID V.T/N
33713	NAMEPLATE, CONTROLS C 43
33715	NAMEPLATE, CONTROLS C 48
33717	NAMEPLATE, CONTROLS C 53
33719	NAMEPLATE, CONTROLS C 60
34201	NAMEPLATE, CONTROLS SPR 36 D
34203	NAMEPLATE, CONTROLS SPR 41 D
34206	NAMEPLATE, CONTROLS SP 40 D
34208	NAMEPLATE, CONTROLS SP 45 D
34210	NAMEPLATE, CONTROLS SP 50 D
29529	UNIPOLAR PUSHBUTTON NA
33247	SUPPORT LAMP HOLDER, BRIGHT GREY
32890	BRIGHT GREY PUSH-BUTTON,
33596	SWITCH, DOUB.POLE SAA1C14110
26880	TIMER REGENERATION 20" X S/E NKD
33590	WATER SOFTENER 3 COLUMNS
25803	HOSE CLIP 13-20 ABA
00182	HOSE 11X19 CASER/15"BLUE"
33593	SUPP.BRACKET, UPPER DEPUR. STS
33594	SUPP.BRACKET, LOWER DEPUR. STS
25745	SPACER, FLAT, DIAM.6
25774	NUTS 5 MA
20151	SALT CONTAINER FOR SPARE PART 1Kg.
25051	SALT CONTAINER COMPLETE
25265	FLAT GASKET X RESERV. SALT
25033	SALT NUT -> SEE 25051
25246	GASKET OR X SALT CONTAIN.
25034	PLUG, SALT CONTAIN. -> 25051