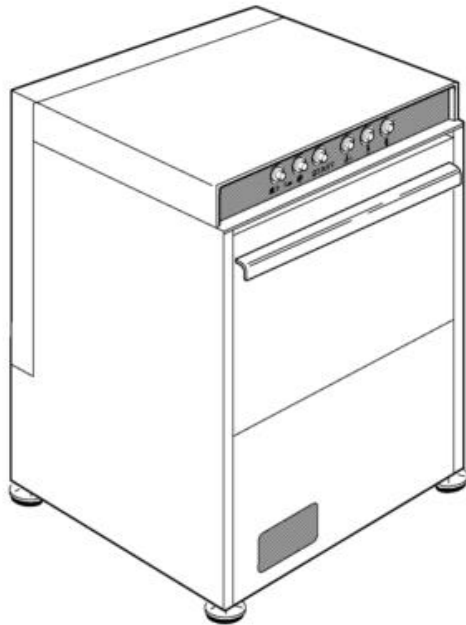


**CATALOGO RICAMBI
SPARE PARTS
PIECES DETACHEES
ERSATZTEILE
LISTA DE RECAMBIOS**



**Lavastoviglie
Lavevaisselle
Geschirrspüler
Dishwashers
Lavavajillas**

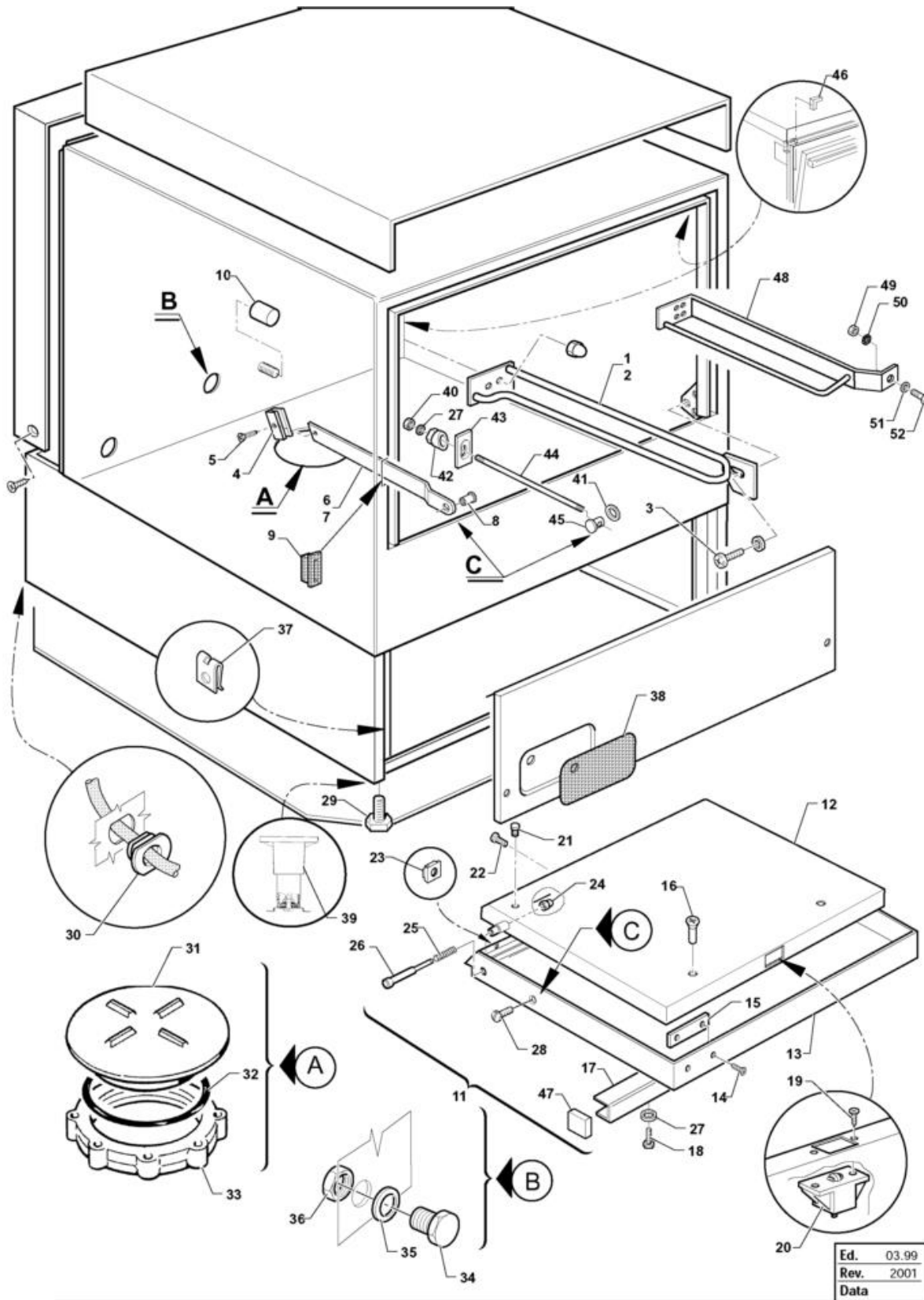
C/SP-CR/SPR

C D/SP D

CR D/SPR D

**Ed. 03.99
Rev. 2001**

- 1 Door Components
- 2 Electrical Components
- 3 Upper Rinse / Boiler
- 4 Bottom Wash And Rinse Arms
- 5 Filter / Drain / Wash Pump
- 6 Rinsaid Pump/thermostats
- 7 Water-softner
- 8 Water-softner without by-pass

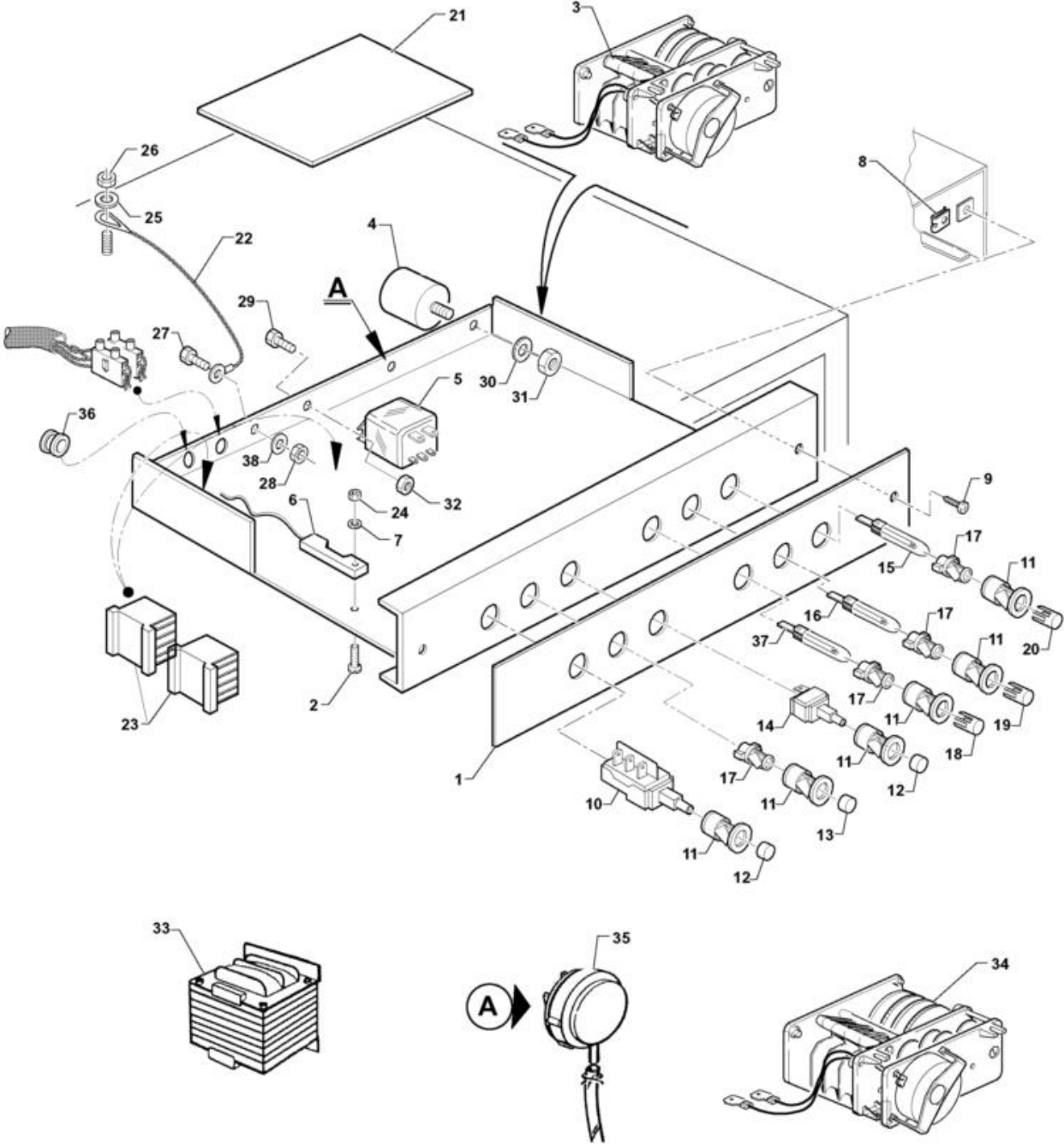


Door Components

Code	Description	
18927	GUIDE RACK SX STS-APS 43 RIN.AID	
18929	GUIDE RACK SX STS-APS 48 RIN.AID	
33589	RACK GUIDE, LEFT 53/60	
18926	GUIDE RACK DX STS-APS 43 RIN. AID	
18928	GUIDE RACK DX STS-APS 48 RIN.AID	
33588	RACK GUIDE, RIGHT 53/60	
26751	SCREW 1/2 FLAT ROUND HD 6 X 12	
18069	STOPPER DOOR STAY	
28699	CHEESE-HD SCREW TC 4 X 10	
18934	DOOR STAY SX 43/53	
18936	DOOR STAY SX STS 60	
18935	DOOR STAY DX 43/53	
18937	DOOR STAY DX STS 60	
18342	BUSH FOR DOOR HINGE	
30007	RUBBER FOR DOOR STAY	
18145	RACK STOPPER MM.25	
22172/R	DOOR ASSEMBLY CPL 48 L450xH355	
33554	INNER DOOR PANEL STS/APS/C 48	
18899	DOOR STS/APS/C 48	
33277	SELF-TAPPING SCREW TSP 2,9 X 9,5	
32969	MAGNET FOR CONTACT M350 AP	
15995	BUSH SPRING FIX. HANDLE STS	
18827	HANDLE FOR DOOR STS/APS/C 48	
25708	SCREW HEX.HD M 5 X 10 SS	
26691	SCREW TS M 4 X 8	
33336	ROLLER DOOR LATCH	
25293	PLUG RUBBER DIAM. 10	
25700	SCREW CHEESE-H. 4 X 8 KNURLED	
33179	ENCLOSED NUT 4MA	
29594	NUT BLIND 4 MA	
30438	SPRING FOR PIN AND DOOR	
15568	MOBILE DOWEL FOR DOOR	
25744	SPACER, FLAT, DIAM.5	
25990	FLAT HD SCREW 5X9 SPEC. FOR ARM TOG	
25209	FEET, HEXAG. BASE	
33749	CABLE CLAMP PA 277	
25032	CATCH PLUG	
25245	GASKET OR 3281	
25008	LOCK. NUT FOR TANK PLUG	
26966	HOLE CLOSING PLUG	
25266	FLAT GASKET 18 X 10 X 2	
27155	PLASTIC NUT10 M	
25831	PLATE FOR SELFTHREAD. SCREW SIDES 7	
33246	NAMEPLATE, DISPENS.NEUTR.BLUE	
33703	NAMEPLATE, FRONT PANEL CR 48	

Door Components

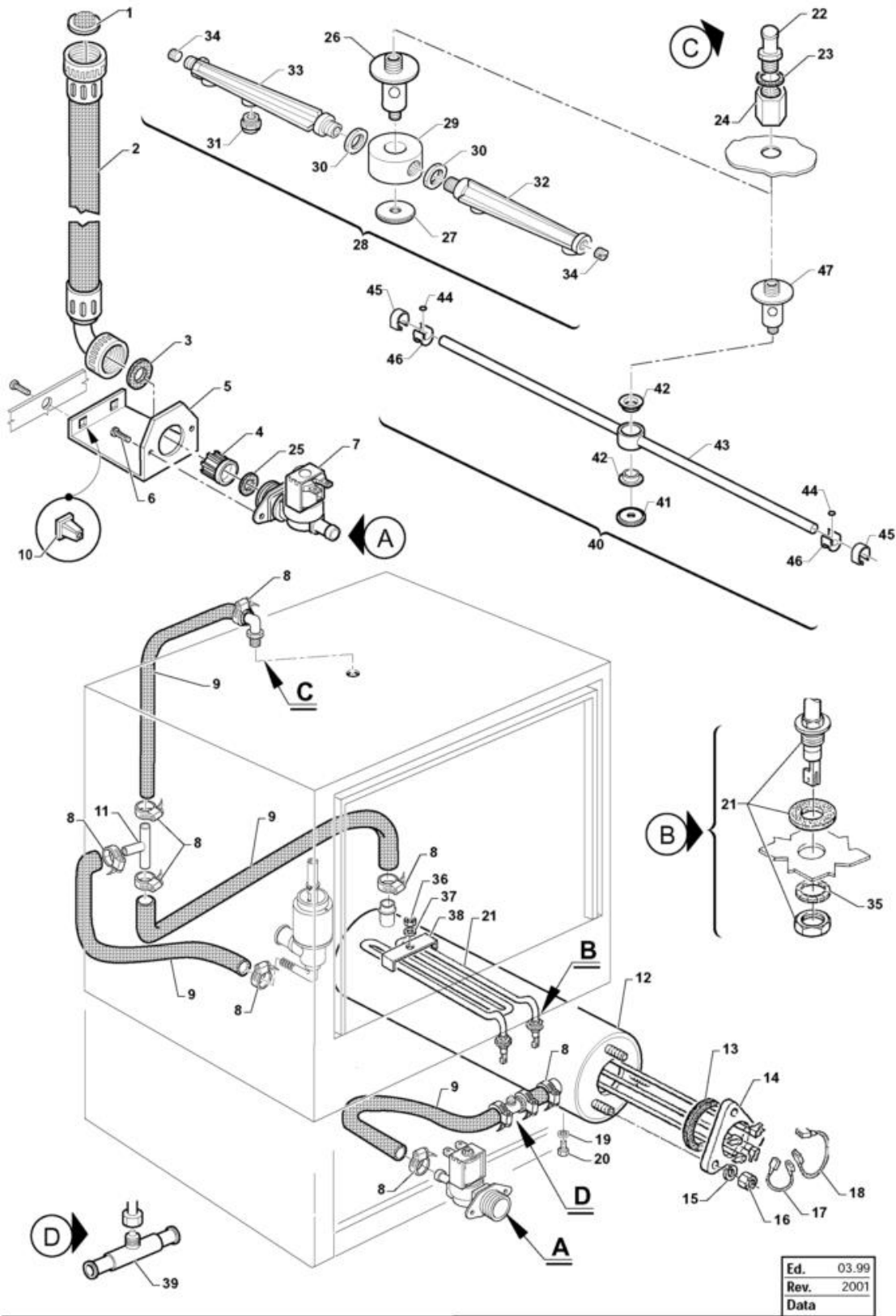
Code	Description	
33704	NAMEPLATE, FRONT PANEL CR 48 D	
33707	NAMEPLATE, FRONT PANEL C 48	
33708	NAMEPLATE, FRONT PANEL C 46 D	
331211	PIEDINO REGOLABILE PER NAVE	
25791	SELF-LOCKING NUT 5 MA LOWER SIDE	
160838	ANELLO PER PERNO PORTA	
190619	FERMO TIRANTE PORTA B-F-R	
331461	PIASTRINA PER TIRANTE X 34142	
34142	ROD FOR DOOR 43-53	
34144	ROD FOR DOOR 60-80	
34143	PIN FOR ROD DOOR	
34470	RUBBER PROTECT.CORNER, TANK LABYR.	
34015	PLUG END HANDLE, LEFT	
34016	PLUG END HANDLE, RIGHT	
35226	GUIDE RACK C/STS 43 - 2?S	
25775	NUT 6 MA	
35304	TOOTHED WASHER DIA.6	
25745	SPACER, FLAT, DIAM.6	
25715	SCREW HEX.HD M 6 X 16 SS	



Ed.	03.99
Rev.	2001
Data	

Electrical Components

Code	Description	
33713	NAMEPLATE, CONTROLS C 43	
33715	NAMEPLATE, CONTROLS C 48	
33717	NAMEPLATE, CONTROLS C 53	
33719	NAMEPLATE, CONTROLS C 60	
32970	BEVEL, CROSS-SLOT HD. SCREW TS 3 X	
30347	TIMER P26/2-3CR-120"-220V	
31324	NOISE FILTER, TYPE 5001	
33324	RELAY, JA 1CIM-220 VAC-DARE34312	
34312	T.RELAY A2S FA 16A 230V	
33188	MAGNETIC SENSOR	
31828	DENTED ROUND SPACER, EX ? 3	
25831	PLATE FOR SELFTHREAD. SCREW SIDES 7	
25697	SELF-TAPPING SCREW CHEESE D747H.ROS	
32872	SWITCH SA SINGLE POLE D	
33247	SUPPORT LAMP HOLDER, BRIGHT GREY	
32890	BRIGHT GREY PUSH-BUTTON,	
32916	PLUG D 16	
29529	UNIPOLAR PUSHBUTTON NA	
32892	NEON LIGHT BULB "GREEN" FL-T FM6,3	
28870	PILOT LIGHT BULB -LUX FM6,3 230V.	
32891	LIGHT BULB HOLDER	
32867	CAP, ?16 "RED"	
34198	COVER, D16 "BLUE"	
32869	CAP, ?16"ORANGE"	
32868	CAP, ?16"GREEN"	
34088	PROTECT. CONTROLS ELECTR.APPL. C/CR	
34046	NYLON ROIPE, DRAWER LIMIT STOP	
31873	REMOTE SWITCH 220-240V- B6-30-10	
25777	NUTS 3 MA	
25744	SPACER, FLAT, DIAM.5	
25774	NUTS 5 MA	
25716	SCREW HEX.HD M 6 X 20 SS	
25723	SCREW HEX.HD 6 X 20 BRASS	
25775	NUT 6 MA	
25700	SCREW CHEESE-H. 4 X 8 KNURLED	
25757	TOOTHED SPACER DIAM. 12 D.E.D787	
25782	NUT 8 MA	
25773	NUTS 4 MA SS 18/8	
34357	TRANSFORM.100VA115\200\400\440S.230	
34402	TIMER P26/15 4CR 120"-230V.	
31171	PRESSURE SWITCH, RATED 28/12+-3	
34305	CABLE RACEWAY STEAB 6211/16/21	
34236	PILOT LIGHT, BLUE BULB 230V	
25745	SPACER, FLAT, DIAM.6	
25751	SPACER. SPLITTED, DIAM. 8	



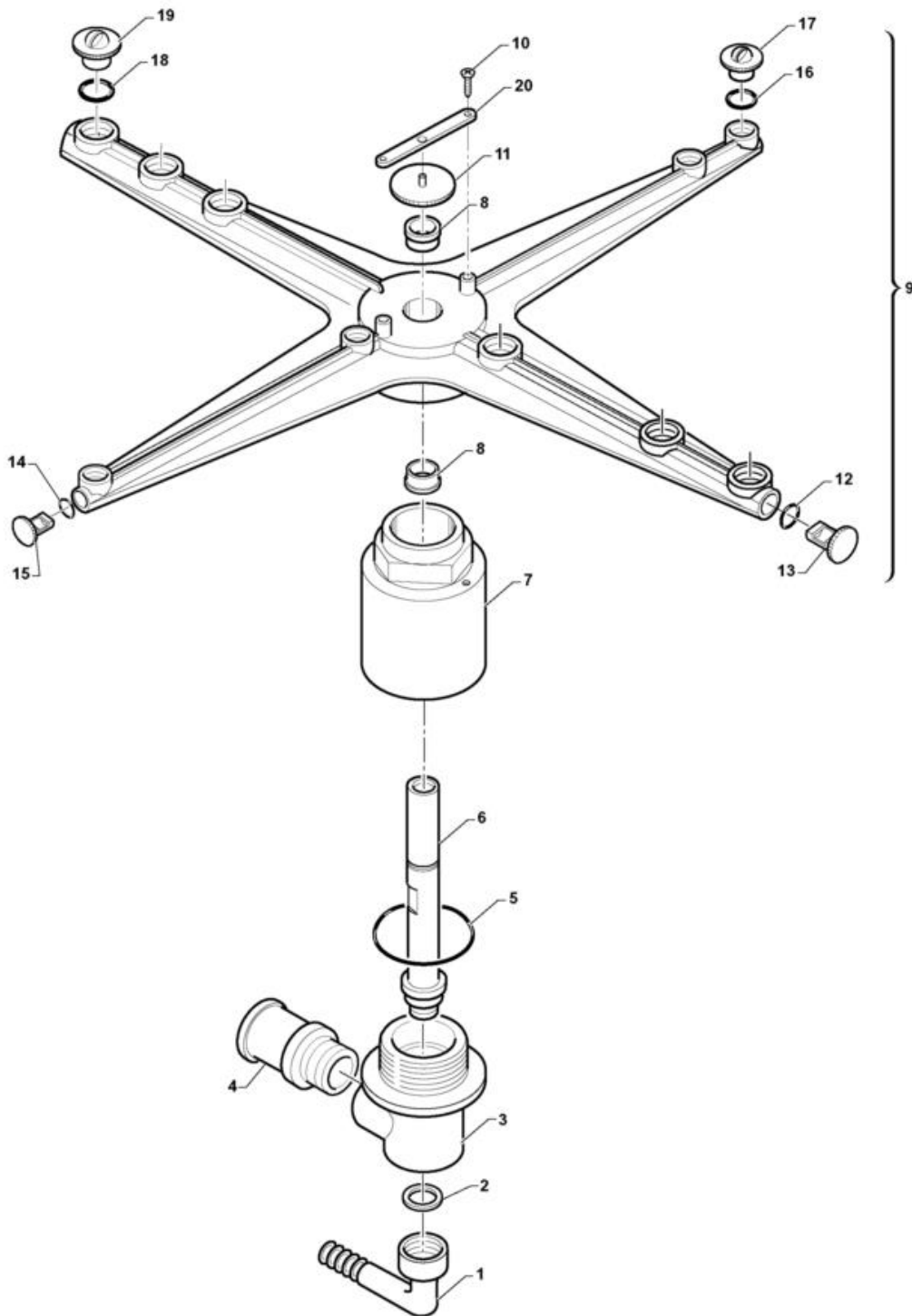
Upper Rinse / Boiler

Code	Description	
30541	FILTER ON FILLING HOSE 3/4"	
25235	INLET HOSE 3/4" 60 ATE	
25269	FLAT GASKET	
26981	FILTER X SOLENOID V.T/N	
17901	SOLENOID VALVE HOLDER	
25700	SCREW CHEESE-H. 4 X 8 KNURLED	
26629	SOLENOID VALVE, SING.3/4" T/N	
25803	HOSE CLIP 13-20 ABA	
00182	HOSE 11X19 CASER/15"BLUE"	
28880	NUT SCREW	
33276	T-SHAPED CONNECTOR ?11,5-PART180413	
18683	BOILER C 35-C/CR/STS 43-48	
29938	GASKET OR 6150	
30008	HEATER FOR.BOOST.2800W HOLD.DAL	
25750	SPACER, SPLITTED, DIAM. 6	
25775	NUT 6 MA	
25575	JUMPER L=100, 2,5 mm2 BLUE	
25576	JUMPER L=170, 2,5 mm2, RED	
25274	FLAT GASKET 12 X 6 X 2	
26863	HEX HD SCREW 6 X 8 STAINLESS S.	
30443	HEATING EL., TANK 2000 W-230 V	
34767	BRASS HOSE FITTING M.14 X 1	
25257	FLAT GASKET 17,5 X 13	
34155	FITTING, RINSE DELIVERY	
34132	CONTROL QTY 8 LT.	
33747	PIN, UPPER RINSE	
33748	LOCK NUT, UPP. RINSE ROTAT.ARM	
20095	RINSE ARM SUP.PREASS.T3	
25109	HUB IMPELLER CPL	
25110	LOCK NUT, RINSE ARM M 12	
29695	RINSE NOZZLE "BLACK"	
32175	RINSE ARM3/S	
32174	RINSE ARM3/S	
30516	THREADED PLUG 9 X 1	
25757	TOOTHED SPACER DIAM. 12 D.E.D787	
25775	NUT 6 MA	
25745	SPACER, FLAT, DIAM.6	
17530	WIRE X HEATING ELEM. TANK	
33817	T-CONNECTOR FOR DISPENS. HOONV.	
34382	DISTANCE WASHER RINSE LEFT TURNING	
34383	BUSH SPRING HUB, RINSE ROT.ARM	
34385	RINSE ARM 43 ROT. S/FRONT.	
34360	GASKET OR 7 X 1 NBR 70	
34293	JET LOCK SPRING	
34264	RINSE JET WITH SPRING	

Upper Rinse / Boiler

Code	Description	
34375	PIN, UPP RINSE. C 35 (DIAM.16)	

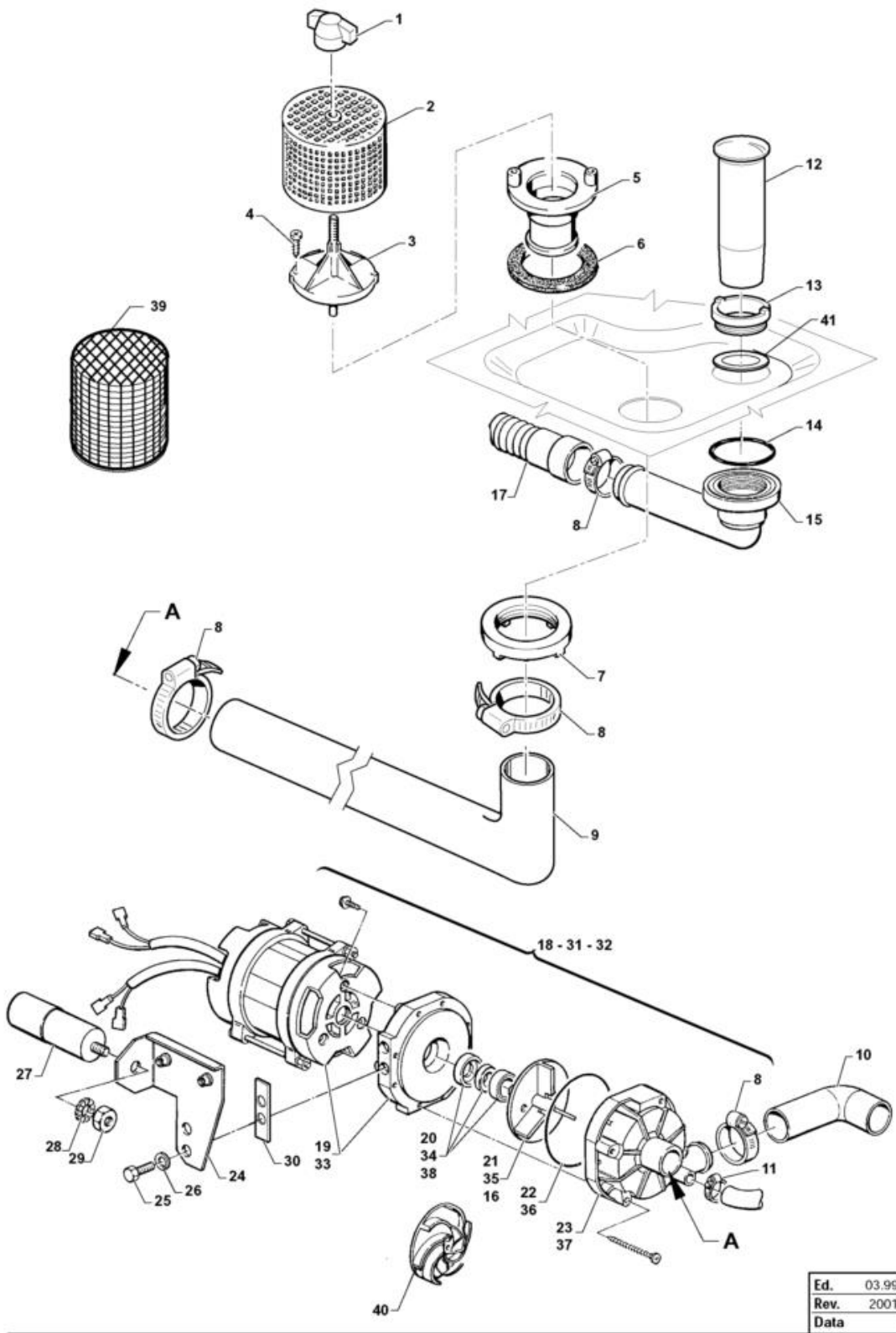
Bottom Wash And Rinse Arms



Ed.	03.99
Rev.	2001
Data	

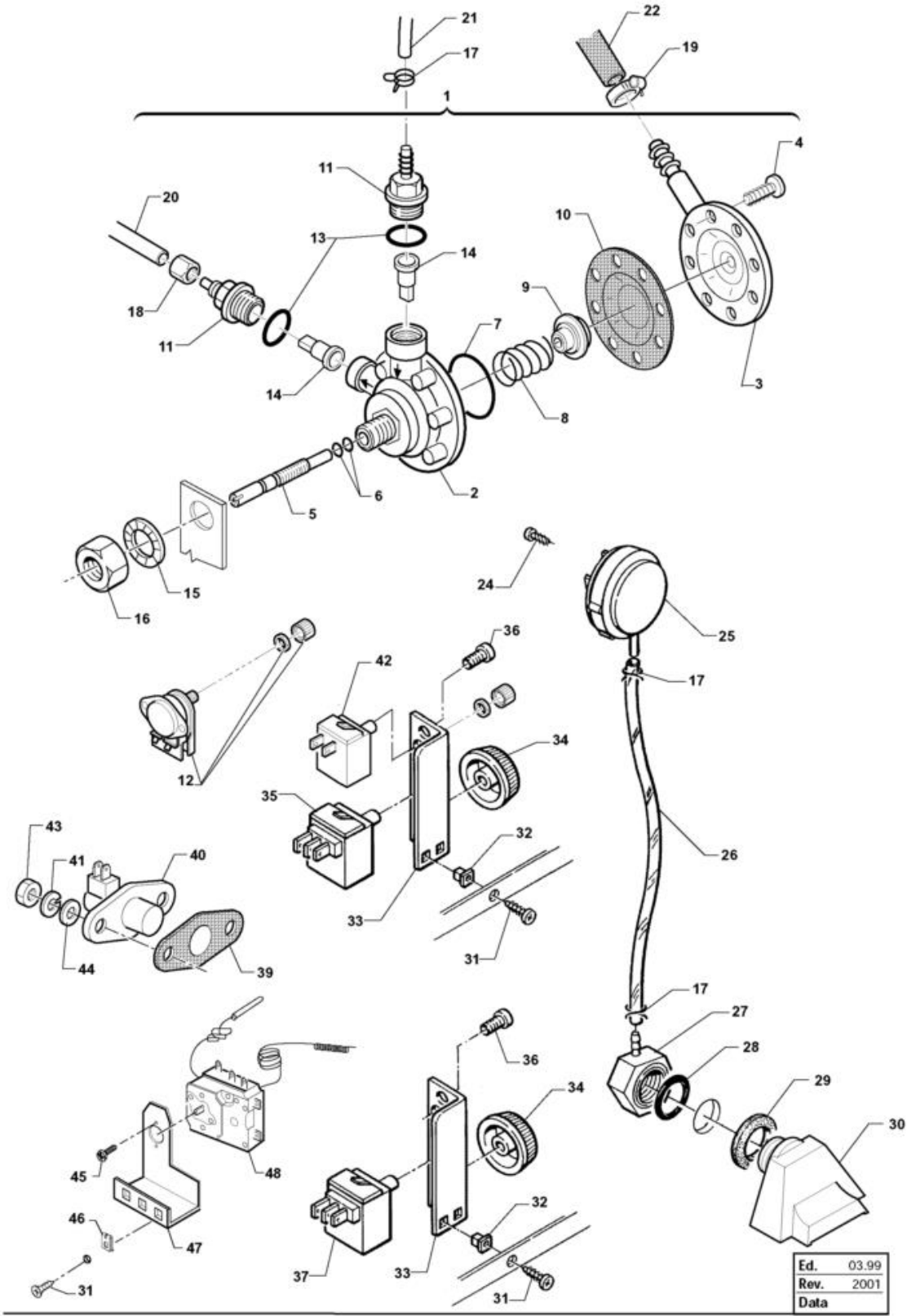
Bottom Wash And Rinse Arms

Code	Description	
32352	HOSE FITTING, 90° ELBOW 1/4 F	
33346	DISC FOR CENTRAL SUPPORT	
32350	WASH-RINSE SUPPORT BOTTOM HP	
18691	HOSE FITTING 1/2"	
33544	HOSE FITTING 1/2 "	
32310	GASKET OR 3200	
33699	LOWER RINSE SHAFT.CPL.	
33700	BUSH SPRING REDUCTION C 43-48	
190649	BUSSOLA PER MULINELLO	
33957	PREASS WASH/RINSE ARM. 43/48	
261009	VITE FISS. MULINELLO TUB.ACC.	
27050	GASKET OR 2068	
33793	PLUG, RINSE ARM	
33792	GASKET OR 2,62X9,13X14,37	
33790	GASKET OR 2X9,5X13,5 F.S.	
33791	RINSE JET, ROT.ARM	
200843	GUARN.OR 2X13X17 F.SER.	
170956	UGELLO LAVAGGIO TIPO-B	



Filter / Drain / Wash Pump

Code	Description	
25179	WING NUT, RINSE ARM	
32881	OUTLET SLEEVE C3-4	
34330	DELIV. SLEEVE WASH C 43-48	
25803	HOSE CLIP 13-20 ABA	
33735	OVERFLOW TUBE C 43/48	
33734	NUT FOR DRAIN C 43/48	
28226	GASKET OR 3181 FOR DRAIN LUG	
30421	DRAIN FITTING, LONG	
34227	IMPELLER FIR 0239315	
34106	DRAIN TUBE DR. D.20X1500	
32926	DRAIN WASH PUMP HP0,15 50/60 HZ	
33180	PUMP BODY (32926) LGB	
25021	NET FILTER, SMALL SIZE	
33181	SHAFT SEAL C3 (LGB)FOR PUMP CODE 32	
33841	IMPELLER DIAM.73, 3-BLADE, M7SX	
33183	GASKET OR 75,87X2,62 LGB	
33184	ELECTR.PUMP SCROLL, LGB (34225)	
33758	PLATE, PUMP C 43	
33769	PLATE, PUMP C 48	
25715	SCREW HEX.HD M 6 X 16 SS	
25750	SPACER, SPLITTED, DIAM. 6	
32712	CAPACITOR UF 6,3-450 V CPL.	
33543	CAPACITOR 5 UF-450 V	
25757	TOOTHED SPACER DIAM. 12 D.E.D787	
25782	NUT 8 MA	
25019	ANTIVORTEX DISC 40-42-52-60	
33998	VIBR.PROOF RUBBER GASK. FOR PUMP	
34194	WASH PUMP HP.0,3 ZF 171	
34221	PUMP HOUSING FIR PM 4229320	
34222	SHAFT SEAL 11-24-11/13-26-5,5	
34223	IMPELLER FIR 2229315	
34224	GASKET OR O 79,8 SP.2,6	
34225	PUMP COVER 2212303/HO	
34226	SHAFT SEAL12-24-14/13-26-5,5	
34557	SUCTION FILTER PUMP C-CR-43-48	
25688	SELF-TAPPING SCREW CHEESE-H. 4,2X2	
35325	IMPELLER LGB 0108 X ZF171(34194)	
25001	BUSH, SPRING FILTER	
31423	FLAT GASKET 65X51X3	
25006	NUT FO DRAIN SUCT. P.	
25807	HOSE CLIP 26-38 ABA	
33743	SUCTION SLEEVE. C 43/48	

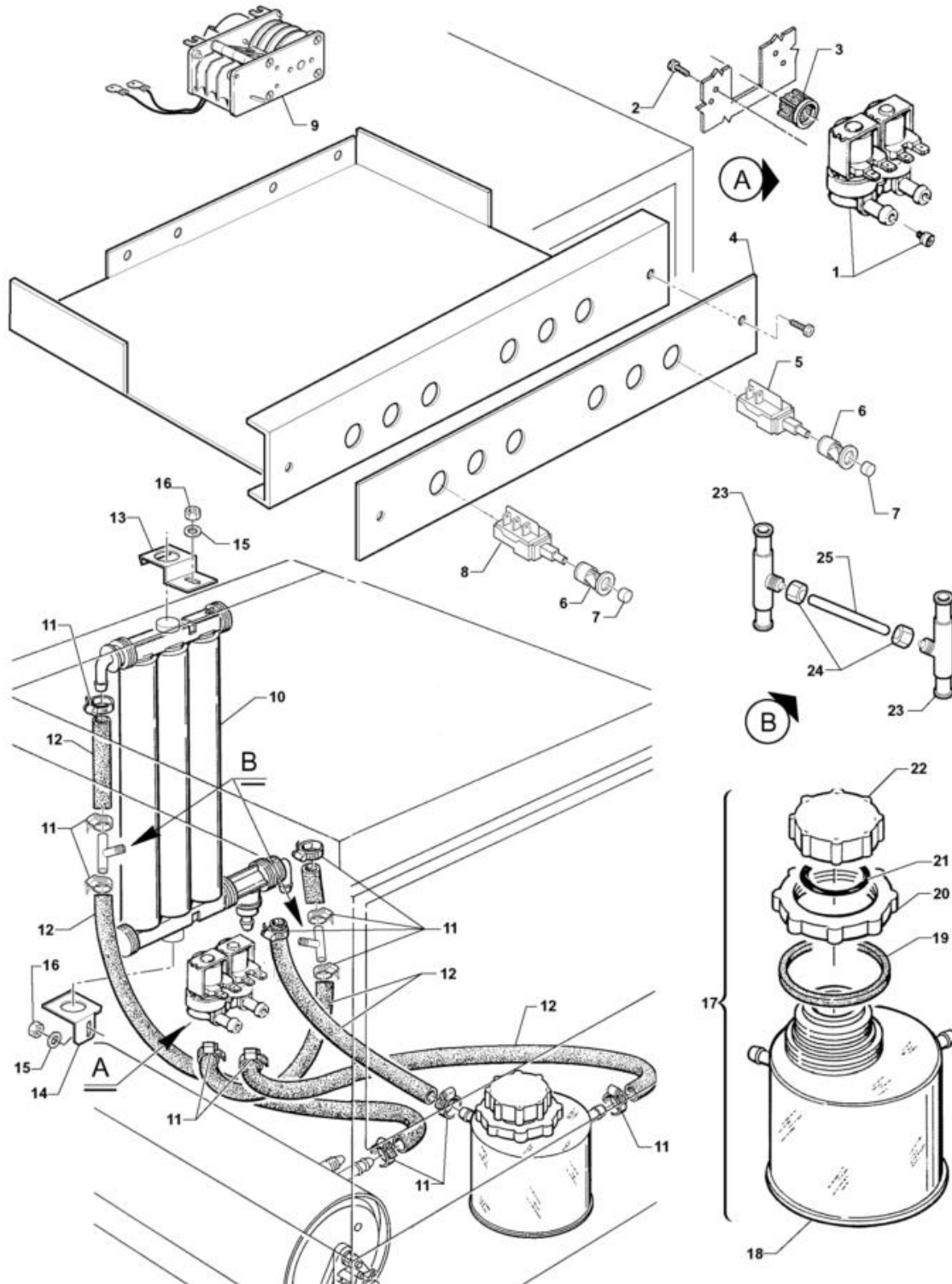


Rinsaid Pump/thermostats

Code	Description	
22060	RINSE AID DISP.PREASS."YELLOW"1?	
25046	UPPER DISPENSER ASSEMBLY	
25047	LOWER DISPENSER ASSEMBLY	
25697	SELF-TAPPING SCREW CHEESE D747H.ROS	
18394	SCREW CONTROL DISPENSER	
25251	GASKET OR 2012	
32243	GASKET OR 3156	
25818	CYLINDER SPRING (WIRE)	
31991	SPRING GUIDE FOR DISPENSER	
31596	DIAPHRAGM, DISPENSER	
32084	FITTING KIT, SUCT/DELIV.VLV RINSE A	
33906	THERMOSTAT DOUB.POLE 105? RANCO LM8	
32831	GASKET OR 2062	
25211	NON RETURN VALVE RINSE AID DISP.	
25757	TOOTHED SPACER DIAM. 12 D.E.D787	
15229	LOCK NUT AID DISPENSER	
34733	WIRE PIPE CLAMP FOR 9,8-10,1 PIPE	
15228	RING FOR RINSING SOLUTION TUBE	
25803	HOSE CLIP 13-20 ABA	
00162	ROLL TUBE 6X4 RILSAN	
00166	ROLL TUBE TRANSP. 4X7	
00182	HOSE 11X19 CASER/15"BLUE"	
26640	SCREW, PRESSURE SWITCH *	
31171	PRESSURE SWITCH, RATED 28/12+-3	
00181	SILICONE PRESSURE TUBE 4x7	
160121	TUBO GOMMA NERA 5X9 PRESSOST.	
25011	COVER X AIR TRAP	
25239	GASKET OR PB 701 3112 x AIR TRAP	
25263	FLAT GASKET 38 X 25 X 2 A.TRAP	
25010	AIR TRAP	
25697	SELF-TAPPING SCREW CHEESE D747H.ROS	
28880	NUT SCREW	
17955	DOUBLE SQUARE FOR PRESS.GAUGES	
25092	HANDLE, BLACK WHITE INDEX	
25417	THERMOSTAT 30-90? MT. 2	
25699	SCREW CHEESE-H. 4 X 6	
30939	THERMOSTAT 0-80?C C.1000	
200494	GUARNIZIONE X TERMOSTATO BIMET	
33948	BIMET. THERMOSTAT, DOUBLE CONTACT	
25752	TOOTHED SPACER DIAM.4 D.E.	
33745	LIMITER 110? MANUAL RESET	
25773	NUTS 4 MA SS 18/8	
25743	SPACER, FLAT, DIAM. 4	
25700	SCREW CHEESE-H. 4 X 8 KNURLED	
25831	PLATE FOR SELFTHREAD. SCREW SIDES 7	

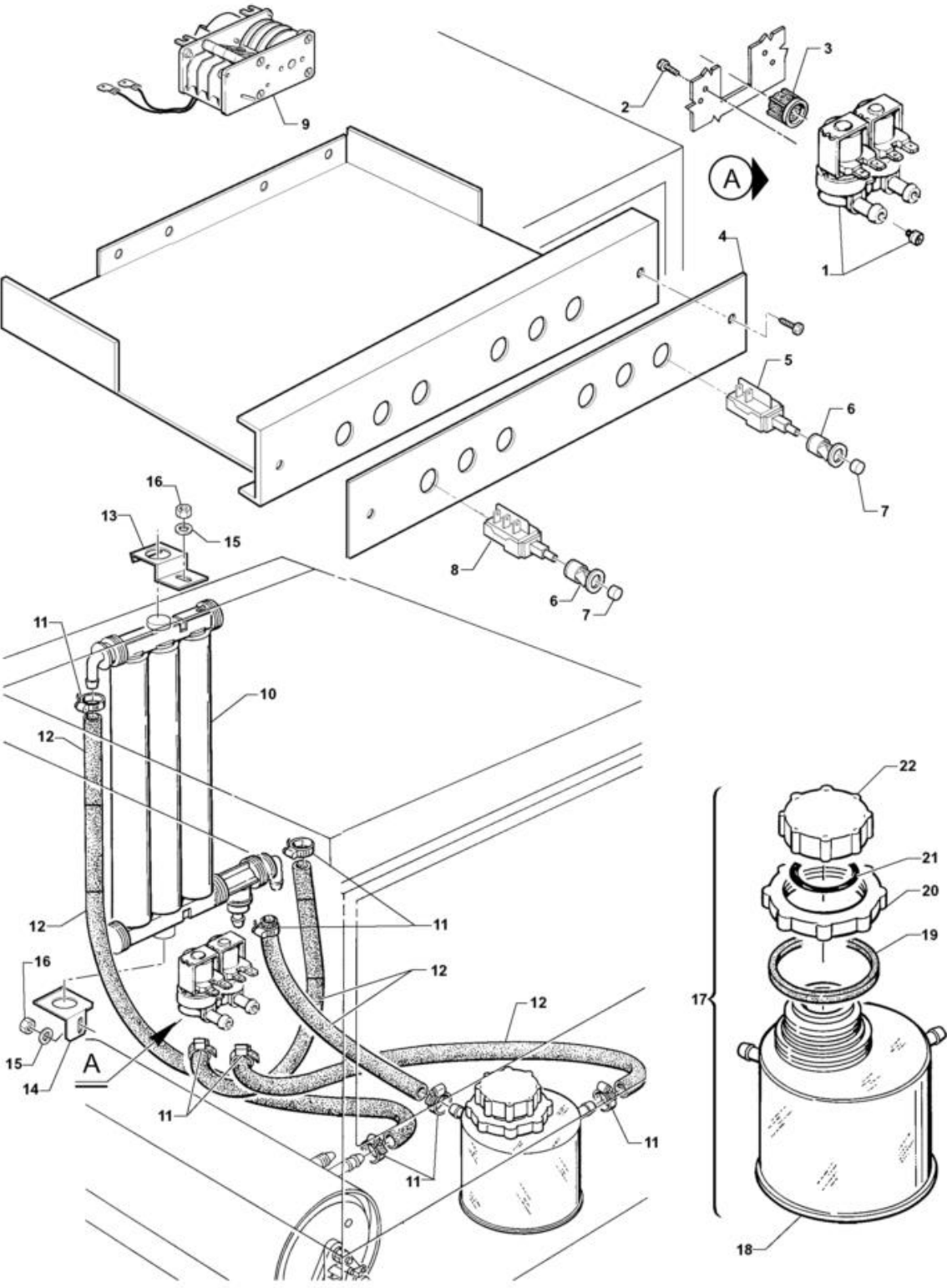
Rinsaid Pump/thermostats

Code	Description	
34678	BRACKET, THERMOSTAT COTHERM	
34534	THERMOSTAT ASS.COTHERM 87-109?	



Ed.	03.99
Rev.	2001
Data	

Code	Description	
33889	REDUCER, SOLENOID V. REGENER	
25700	SCREW CHEESE-H. 4 X 8 KNURLED	
26981	FILTER X SOLENOID V.T/N	
33713	NAMEPLATE, CONTROLS C 43	
33715	NAMEPLATE, CONTROLS C 48	
33717	NAMEPLATE, CONTROLS C 53	
33719	NAMEPLATE, CONTROLS C 60	
34201	NAMEPLATE, CONTROLS SPR 36 D	
34203	NAMEPLATE, CONTROLS SPR 41 D	
34206	NAMEPLATE, CONTROLS SP 40 D	
34208	NAMEPLATE, CONTROLS SP 45 D	
34210	NAMEPLATE, CONTROLS SP 50 D	
29529	UNIPOLAR PUSHBUTTON NA	
33247	SUPPORT LAMP HOLDER, BRIGHT GREY	
32890	BRIGHT GREY PUSH-BUTTON,	
33596	SWITCH, DOUB.POLE SAA1C14110	
26880	TIMER REGENERATION 20" X S/E NKD	
33590	WATER SOFTENER 3 COLUMNS	
25803	HOSE CLIP 13-20 ABA	
00182	HOSE 11X19 CASER/15"BLUE"	
33593	SUPP.BRACKET, UPPER DEPUR. STS	
33594	SUPP.BRACKET, LOWER DEPUR. STS	
25745	SPACER, FLAT, DIAM.6	
25774	NUTS 5 MA	
20151	SALT CONTAINER FOR SPARE PART 1Kg.	
25051	SALT CONTAINER COMPLETE	
25265	FLAT GASKET X RESERV. SALT	
25033	SALT NUT -> SEE 25051	
25246	GASKET OR X SALT CONTAIN.	
25034	PLUG, SALT CONTAIN. -> 25051	
33973	HOSE FITTING COM 180411	
33974	NUT FOR FITTING COM 180130	
33975	PIPE 6.5X1.1 COM 160117	



Ed.	03/2003
Rev.	
Data	

Water-softner without by-pass

Code	Description	
33889	REDUCER, SOLENOID V. REGENER	
25700	SCREW CHEESE-H. 4 X 8 KNURLED	
26981	FILTER X SOLENOID V.T/N	
33713	NAMEPLATE, CONTROLS C 43	
33715	NAMEPLATE, CONTROLS C 48	
33717	NAMEPLATE, CONTROLS C 53	
33719	NAMEPLATE, CONTROLS C 60	
34201	NAMEPLATE, CONTROLS SPR 36 D	
34203	NAMEPLATE, CONTROLS SPR 41 D	
34206	NAMEPLATE, CONTROLS SP 40 D	
34208	NAMEPLATE, CONTROLS SP 45 D	
34210	NAMEPLATE, CONTROLS SP 50 D	
29529	UNIPOLAR PUSHBUTTON NA	
33247	SUPPORT LAMP HOLDER, BRIGHT GREY	
32890	BRIGHT GREY PUSH-BUTTON,	
33596	SWITCH, DOUB.POLE SAA1C14110	
26880	TIMER REGENERATION 20" X S/E NKD	
33590	WATER SOFTENER 3 COLUMNS	
25803	HOSE CLIP 13-20 ABA	
00182	HOSE 11X19 CASER/15"BLUE"	
33593	SUPP.BRACKET, UPPER DEPUR. STS	
33594	SUPP.BRACKET, LOWER DEPUR. STS	
25745	SPACER, FLAT, DIAM.6	
25774	NUTS 5 MA	
20151	SALT CONTAINER FOR SPARE PART 1Kg.	
25051	SALT CONTAINER COMPLETE	
25265	FLAT GASKET X RESERV. SALT	
25033	SALT NUT -> SEE 25051	
25246	GASKET OR X SALT CONTAIN.	
25034	PLUG, SALT CONTAIN. -> 25051	