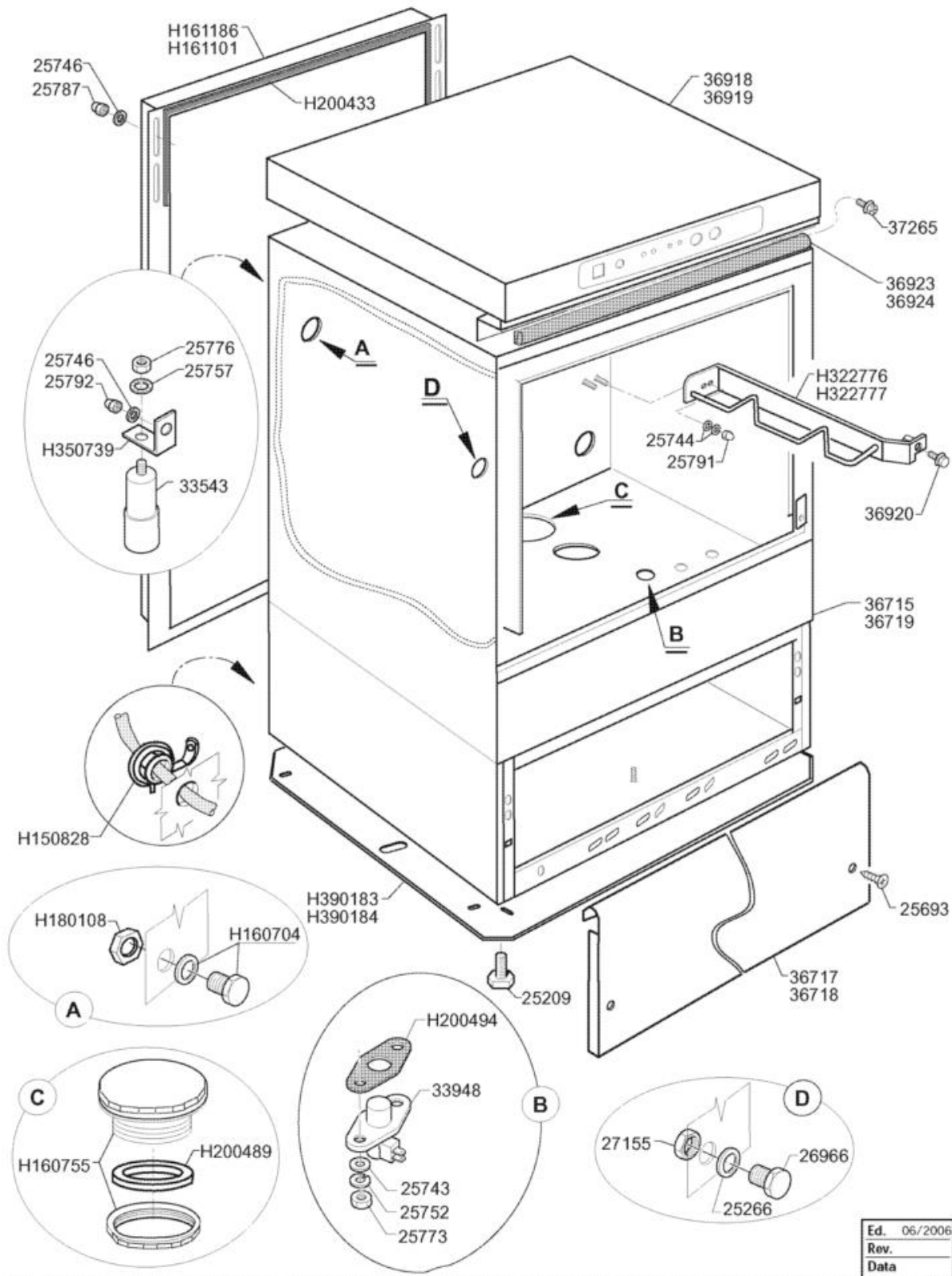


**CATALOGO RICAMBI
SPARE PARTS
PIECES DETACHEES
ERSATZTEILE
LISTA DE RECAMBIOS**

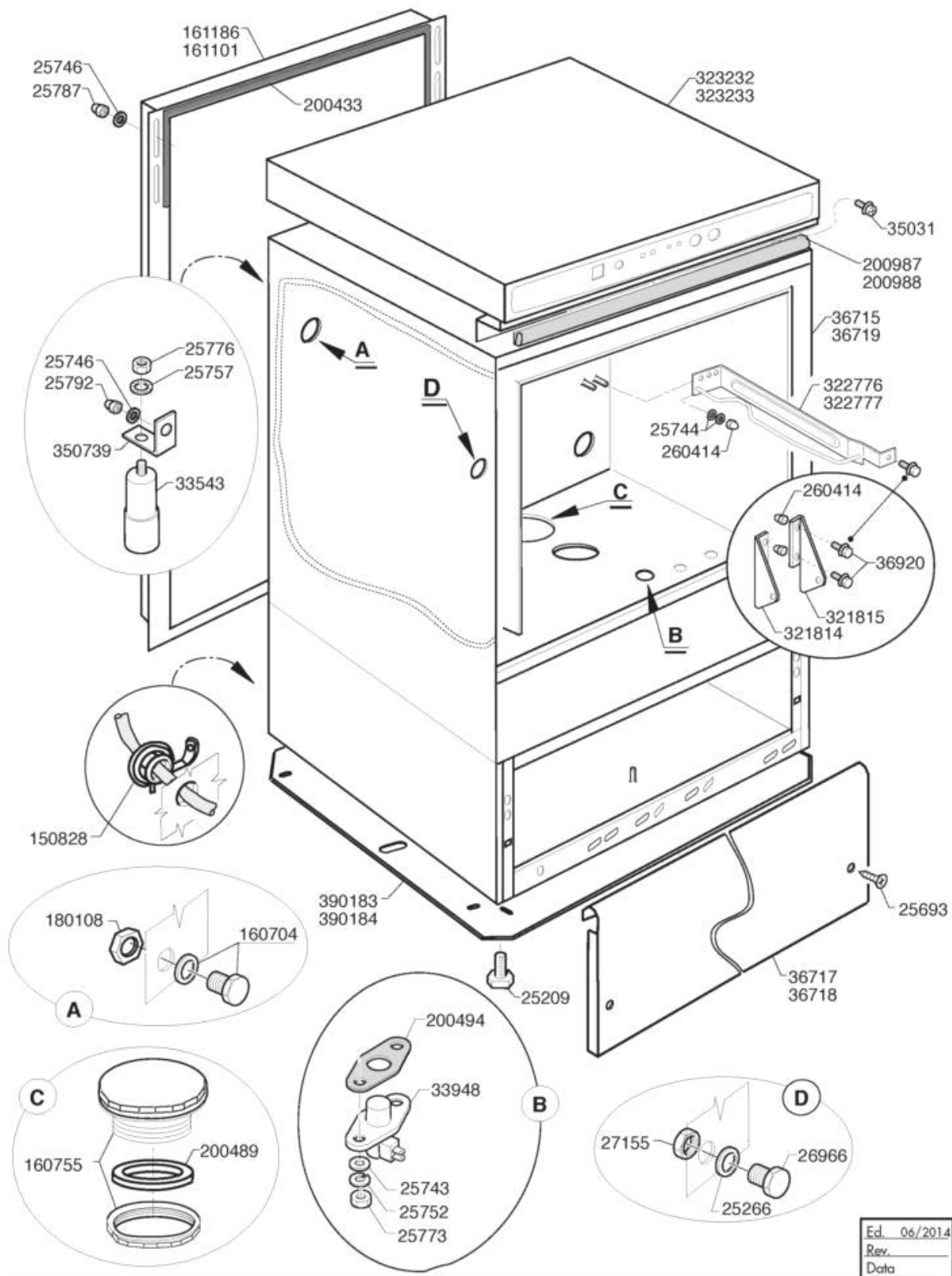
**C 43 E - C 43 E D
C 46 E - C 46 E D
SP 35 E - SP 35 E D
SP 40 E - SP 40 E D**

Ed. 01/2005

- 1 Hood
- 2 Hood
- 3 Door Component
- 4 Control Box
- 5 Control Box
- 6 Control Box C4346E ->03.2013
- 7 Rinse Assembly/water Softener
- 8 Rinse Assembly/water Softener 07/2010 ->>
- 9 Rinse Assembly/water Softener /dv
- 10 Rinse Assembly/water Softener /dv 05/2007 ->>
- 11 Rinse Assembly/water Softener /dv 09/2009 ->>
- 12 Tank
- 13 Tank C43/46E - SP35E/40E
- 14 Wash Pump
- 15 Wash Arm
- 16 Rinse Aid Injector
- 17 Drain Pump
- 18 Detergent Pump
- 19 Detergent Pump (SEKO) >> 04/10
- 20 Detergent Pump (SEKO) ->> 06/10

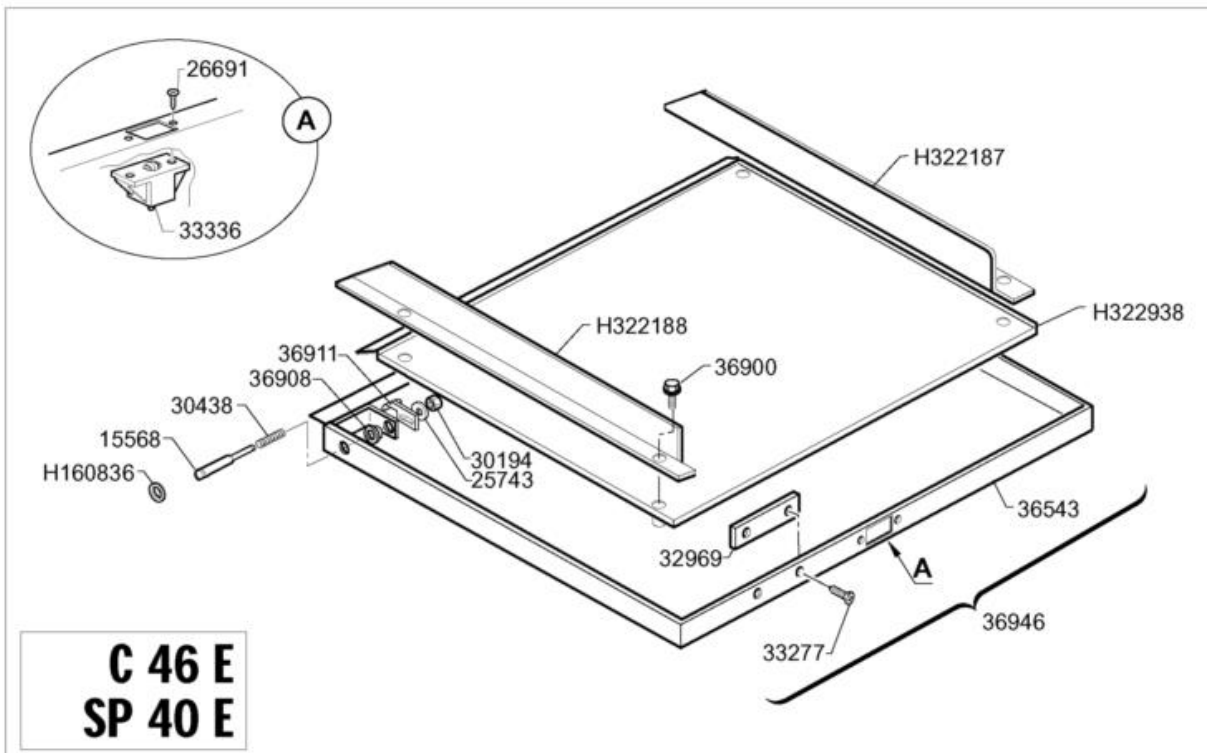
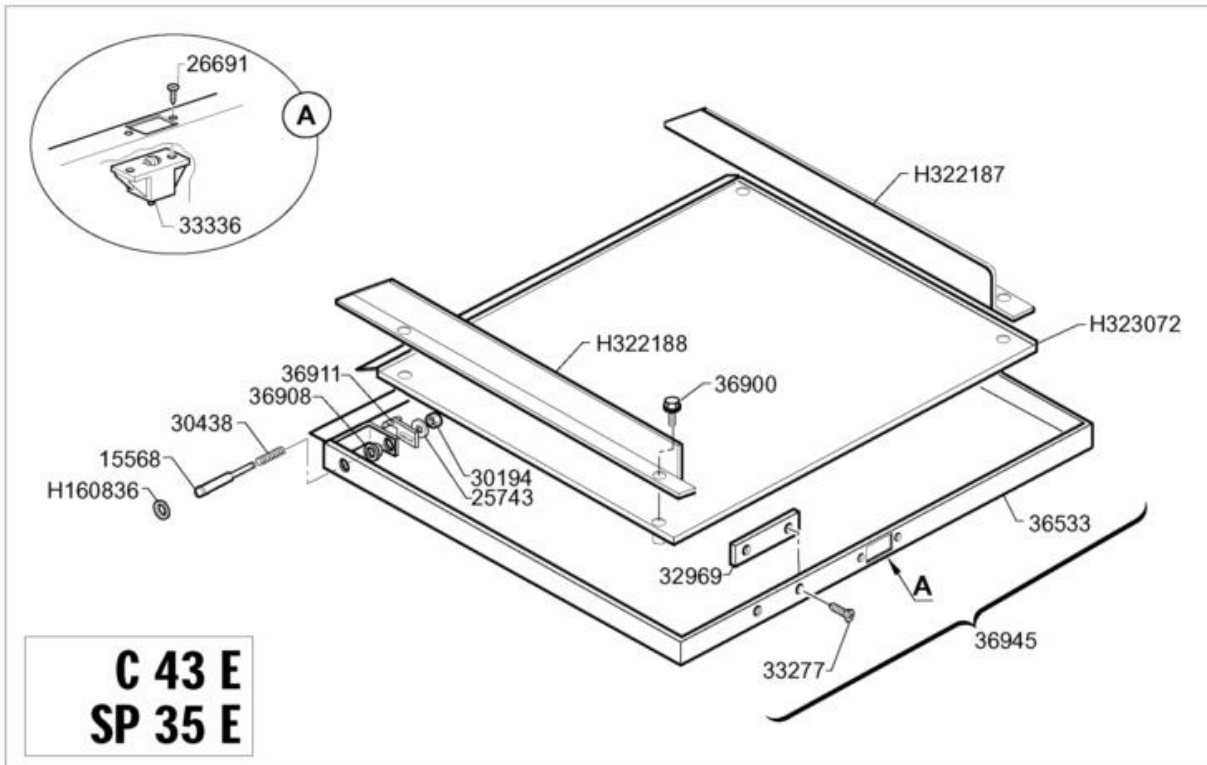


Code	Description	
150828	PRESSACAVO EGIBI PA/107	
160704	TAPP.NERI CON GUAR.1/2"GAKT20	
160755	TAPPO + GHIERA 180127 FORO SAL	
161101	PROT.POST.LBC275/CH26/BT19/C46	
161186	PROTEZIONE POSTER.C43E/LB260	
180108	GHIERA 1/2" GAS PLASTICA	
200433	GOMMA SPUGNA ADES.6x2,5 NEOPR	
200489	GUAR. PIATTA 86x72x2 TAPPO SAL	
200494	GUARNIZIONE X TERMOSTATO BIMET	
25209	FEET, HEXAG. BASE	
25266	FLAT GASKET 18 X 10 X 2	
25693	SELF-TAPPING SCREW BEVEL H. 4,2X13	
25743	SPACER, FLAT, DIAM. 4	
25744	SPACER, FLAT, DIAM.5	
25746	SPACER, FLAT, DIAM.6/18	
25752	TOOTHED SPACER DIAM.4 D.E.	
25757	TOOTHED SPACER DIAM. 12 D.E.D787	
25773	NUTS 4 MA SS 18/8	
25776	NUTS 8 MA SS 18/8	
25787	NUT BLIND 6 MA	
25791	SELF-LOCKING NUT 5 MA LOWER SIDE	
25792	SELF-LOCKING NUT 6 MA LOWER SIDE	
26966	HOLE CLOSING PLUG	
27155	PLASTIC NUT10 M	
322776	GUIDA CEST.DX C/ST/AP43/48-BCE	
322777	GUIDA CEST.SX C/ST/AP43/48-BCE	
33543	CAPACITOR 5 UF-450 V	
33948	BIMET. THERMOSTAT, DOUBLE CONTACT	
36715	BODY, C 43 E	
36717	FRONT PANEL C 43 E	
36718	FRONT PANEL C 46 E	
36719	BODY, C 46 E	
36918	PANNELLO SUP.COMANDI C 43 E	
36919	PANNELLO SUP.COMANDI C 46 E	
36920	SCREW HEX.HD M 5 X 10 A2 ZIG.	
36923	LIP SEAL GASKET x DOOR 4X16,5 C43E	
36924	LIP SEAL GASKET x DOOR 4X16,5 C46E	
37265	VITE TC CROCE M4x12 FLANGIATA	
390183	PANNELLO DI FONDO C43E/LB200-5	
390184	PANNELLO DI FONDO C 46 E	



Ed.	06/2014
Rev.	
Data	

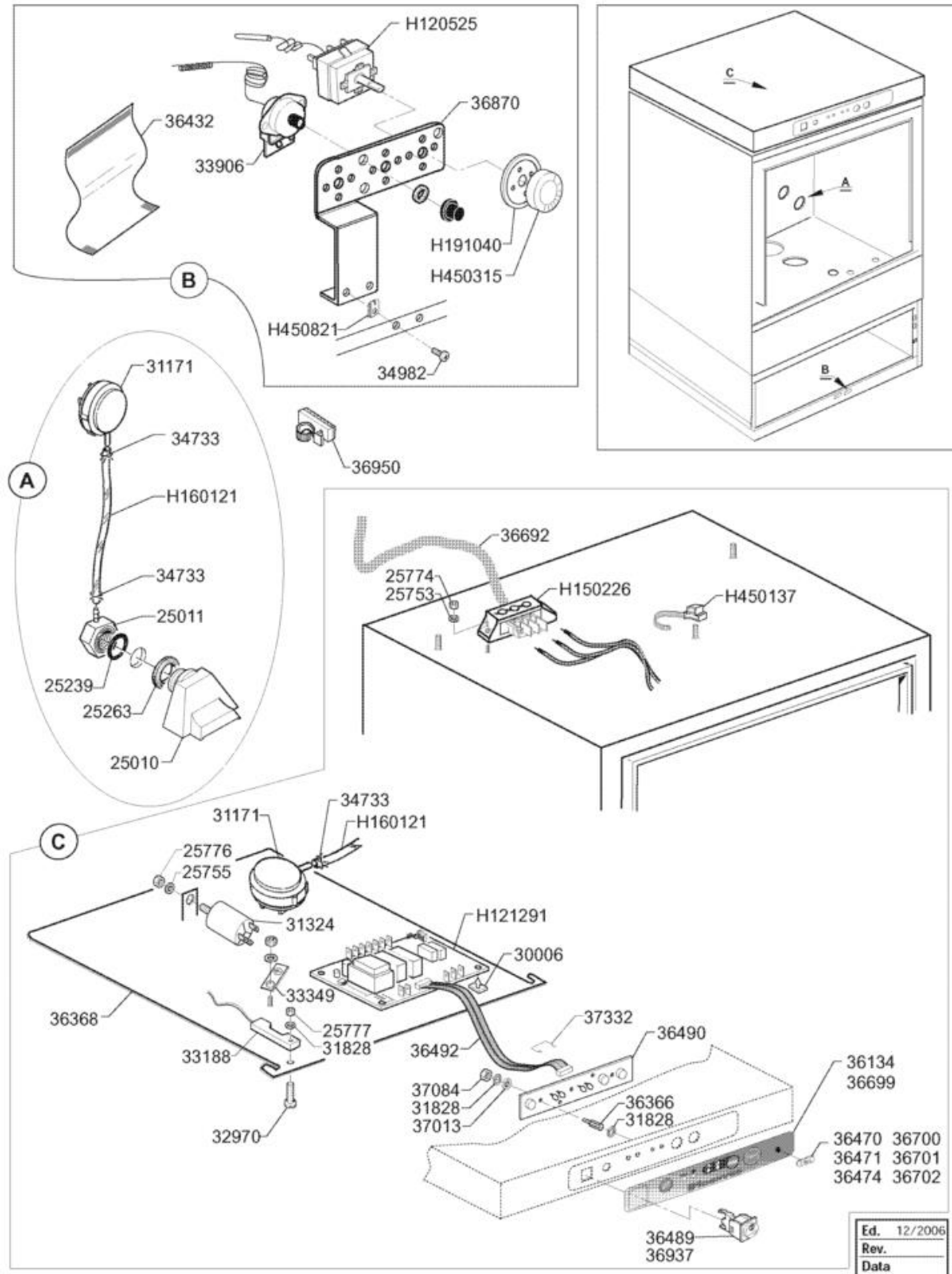
Code	Description	
150828	PRESSACAVO EGIBI PA/107	
160704	TAPP.NERI CON GUAR.1/2"GAKT20	
160755	TAPPO + GHIERA 180127 FORO SAL	
161101	PROT.POST.LBC275/CH26/BT19/C46	
161186	PROTEZIONE POSTER.C43E/LB260	
180108	GHIERA 1/2" GAS PLASTICA	
200433	GOMMA SPUGNA ADES.6x2,5 NEOPR	
200489	GUAR. PIATTA 86x72x2 TAPPO SAL	
200494	GUARNIZIONE X TERMOSTATO BIMET	
200987	GUARNIZIONE PORTA C43E-HC3	
200988	GUARNIZIONE PORTA C46E-HC4	
25209	FEET, HEXAG. BASE	
25266	FLAT GASKET 18 X 10 X 2	
25693	SELF-TAPPING SCREW BEVEL H. 4,2X13	
25743	SPACER, FLAT, DIAM. 4	
25744	SPACER, FLAT, DIAM.5	
25746	SPACER, FLAT, DIAM.6/18	
25752	TOOTHED SPACER DIAM.4 D.E.	
25757	TOOTHED SPACER DIAM. 12 D.E.D787	
25773	NUTS 4 MA SS 18/8	
25776	NUTS 8 MA SS 18/8	
25787	NUT BLIND 6 MA	
25792	SELF-LOCKING NUT 6 MA LOWER SIDE	
260414	DADO AUTOBL."M5"304 BASSO TORN	
26966	HOLE CLOSING PLUG	
27155	PLASTIC NUT10 M	
321814	CERNIERA PORTA C35-43-46E SX	
321815	CERNIERA PORTA C35-43-46E DX	
322776	GUIDA CEST.DX C/ST/AP43/48-BCE	
322777	GUIDA CEST.SX C/ST/AP43/48-BCE	
323232	PANNELLO SUP.COMANDI C43E 2011	
323233	PANNELLO SUP.COMANDI C46E 2011	
33543	CAPACITOR 5 UF-450 V	
33948	BIMET. THERMOSTAT, DOUBLE CONTACT	
35031	BEVEL, CROSS-SL.HD SCREW M 4 X 12	
36715	BODY, C 43 E	
36717	FRONT PANEL C 43 E	
36718	FRONT PANEL C 46 E	
36719	BODY, C 46 E	
36920	SCREW HEX.HD M 5 X 10 A2 ZIG.	
390183	PANNELLO DI FONDO C43E/LB200-5	
390184	PANNELLO DI FONDO C 46 E	



Ed.	01/2005
Rev.	
Data	

Door Component

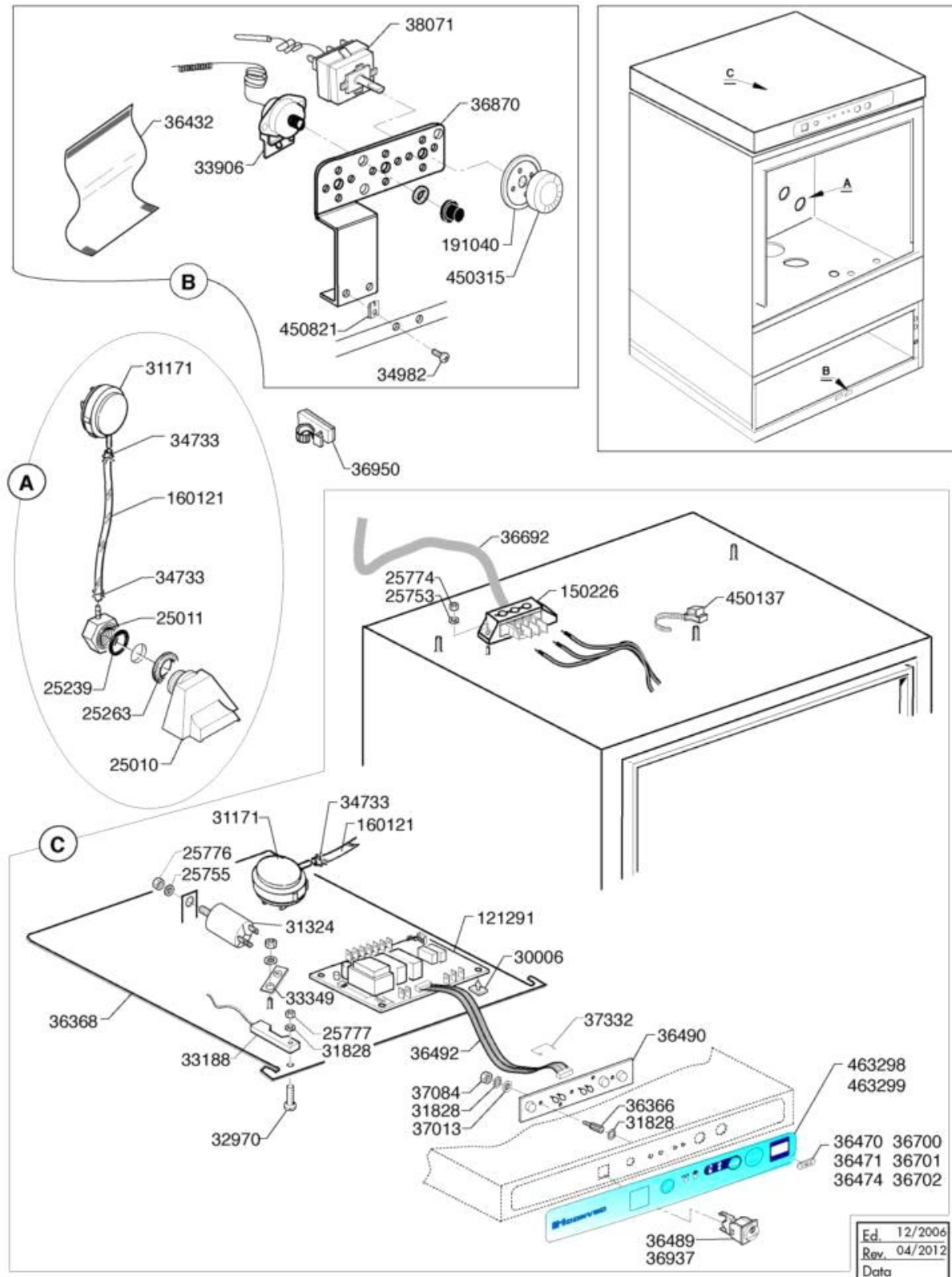
Code	Description	
15568	MOBILE DOWEL FOR DOOR	
160836	RONDELLA GRANO PORTA-BC/BR143	
25743	SPACER, FLAT, DIAM. 4	
26691	SCREW TS M 4 X 8	
30194	SELF-LOCKING NUT 4 MA	
30438	SPRING FOR PIN AND DOOR	
322187	GUIDA PORT. DX C43/46E/LBC275	
322188	GUIDA PORT. SX C43/46E/LBC275	
322938	PANNELLO CONTROPOR.C46E/LB275	
323072	PANNELLO CONTROPOR. C43E-LB260	
32969	MAGNET FOR CONTACT M350 AP	
33277	SELF-TAPPING SCREW TSP 2,9 X 9,5	
33336	ROLLER DOOR LATCH	
36533	DOOR CPL C 43 E	
36543	DOOR CPL C 46 E	
36900	SCREW HEX.HD M 4 X 20 SS	
36908	BUSH AT DOOR C E SERIES	
36911	SLIDE PLATE FOR DOOR STAY CE	
36945	DOOR ASSEMBLY CPL C43 E L421xH365	
36946	DOOR ASSEMBLY CPL C46 E L451xH365	



Ed.	12/2006
Rev.	
Data	

Code	Description	
120525	TERMOSTATO 2 TEMPER. IMIT TRZ	
121291	TIMER ELETTR. 922079/01 x TAST	
150226	MORSETTIERA 3 POLI	
160121	TUBO GOMMA NERA 5X9 PRESSOST.	
191040	MASCHERINA MANOPOLA TERMOSTATI	
25010	AIR TRAP	
25011	COVER X AIR TRAP	
25239	GASKET OR PB 701 3112 x AIR TRAP	
25263	FLAT GASKET 38 X 25 X 2 A.TRAP	
25753	TOOTHED SPACER.DIAM.5 D.E.	
25755	TOOTHED SPACER DIAM.8	
25774	NUTS 5 MA	
25776	NUTS 8 MA SS 18/8	
25777	NUTS 3 MA	
30006	SPACER FOR PRINTED CIRC. HOLDER	
31171	PRESSURE SWITCH, RATED 28/12+-3	
31324	NOISE FILTER, TYPE 5001	
31828	DENTED ROUND SPACER, EX ? 3	
32970	BEVEL, CROSS-SLOT HD. SCREW TS 3 X	
33188	MAGNETIC SENSOR	
33349	INDICAT.PLATE, EARTHING	
33906	THERMOSTAT DOUB.POLE 105? RANCO LM8	
34733	WIRE PIPE CLAMP FOR 9,8-10,1 PIPE	
34982	SCREW M5X12, HALF-ROUND HD. COMBI	
36134	CONTROL BOARD PLATE C - E	
36366	SPACER FOR KEYBOARD CUTOFF SNAP H10	
36368	ELECTRIC PLANT SUPPORT C E	
36432	SAF. THERMOSTAT PROTECT. APS/C81/C9	
36470	STICKING NAMEPLATE, PANEL C 43 E	
36471	NAMEPLATE, PANEL C 46 E	
36474	NAMEPLATE, PANEL C 46 D E	
36489	SWITCH CM DEV. BLUE	
36490	C HORIZ. CONTR. KEYBOARD	
36492	500 Mm. 10 Poli CONNECTION CABLE	
36692	SUPPLY CABLE 3Gx1,5 H07RN-F	
36699	CONTROL BOARD SP -E	
36700	STICKING NAMEPLATE, PANEL SP 35 E	
36701	STICKING NAMEPLATE, PANEL SP 40 E	
36702	STICKING NAMEPLATE, PANEL SP 40 D	
36870	HOLDER THERMOSTAT C43/46E	
36937	SWITCH CM DEV.DARKBLUE	
36950	SUPPORTO a CLIP ADESIVO DIA.10	
37013	RONDELLA PIANA M3 003030500001	
37084	DADO NYLON M3	
37332	MOLLA x BLOCC. CAVO SCHEDA EL.	

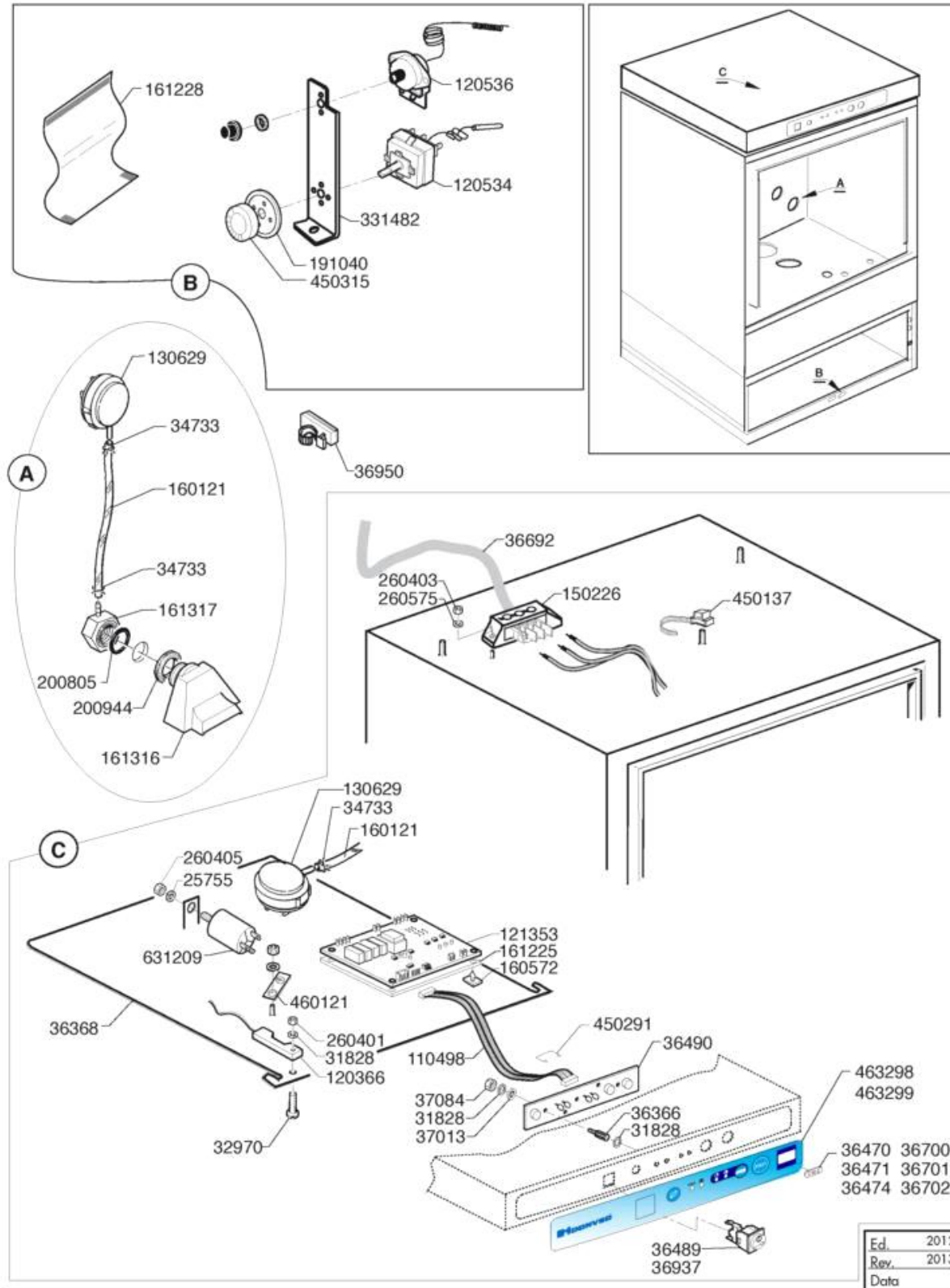
Code	Description	
450137	ATTACCO A COLLARE C/BASE 31900	
450315	MANOPOLA TERMOSTATI	
450821	PIASTRINA FASTNER 5 MA	



Ed.	12/2006
Rev.	04/2012
Data	

Code	Description	
121291	TIMER ELETTR. 922079/01 x TAST	
150226	MORSETTIERA 3 POLI	
160121	TUBO GOMMA NERA 5X9 PRESSOST.	
191040	MASCHERINA MANOPOLA TERMOSTATI	
25010	AIR TRAP	
25011	COVER X AIR TRAP	
25239	GASKET OR PB 701 3112 x AIR TRAP	
25263	FLAT GASKET 38 X 25 X 2 A. TRAP	
25753	TOOTHED SPACER.DIAM.5 D.E.	
25755	TOOTHED SPACER DIAM.8	
25774	NUTS 5 MA	
25776	NUTS 8 MA SS 18/8	
25777	NUTS 3 MA	
30006	SPACER FOR PRINTED CIRC. HOLDER	
31171	PRESSURE SWITCH, RATED 28/12+-3	
31324	NOISE FILTER, TYPE 5001	
31828	DENTED ROUND SPACER, EX ? 3	
32970	BEVEL, CROSS-SLOT HD. SCREW TS 3 X	
33188	MAGNETIC SENSOR	
33349	INDICAT.PLATE, EARTHING	
33906	THERMOSTAT DOUB.POLE 105? RANCO LM8	
34733	WIRE PIPE CLAMP FOR 9,8-10,1 PIPE	
34982	SCREW M5X12, HALF-ROUND HD. COMBI	
36366	SPACER FOR KEYBOARD CUTOFF SNAP H10	
36368	ELECTRIC PLANT SUPPORT C E	
36432	SAF. THERMOSTAT PROTECT. APS/C81/C9	
36470	STICKING NAMEPLATE, PANEL C 43 E	
36471	NAMEPLATE, PANEL C 46 E	
36474	NAMEPLATE, PANEL C 46 D E	
36489	SWITCH CM DEV. BLUE	
36490	C HORIZ. CONTR. KEYBOARD	
36492	500 Mm. 10 Poli CONNECTION CABLE	
36692	SUPPLY CABLE 3Gx1,5 H07RN-F	
36700	STICKING NAMEPLATE, PANEL SP 35 E	
36701	STICKING NAMEPLATE, PANEL SP 40 E	
36702	STICKING NAMEPLATE, PANEL SP 40 D	
36870	HOLDER THERMOSTAT C43/46E	
36937	SWITCH CM DEV.DARKBLUE	
36950	SUPPORTO a CLIP ADESIVO DIA.10	
37013	RONDELLA PIANA M3 003030500001	
37084	DADO NYLON M3	
37332	MOLLA x BLOCC. CAVO SCHEDA EL.	
38071	TERMOSTATO 2 TEMP. S&RIND	
450137	ATTACCO A COLLARE C/BASE 31900	
450315	MANOPOLA TERMOSTATI	

Code	Description	
450821	PIASTRINA FASTNER 5 MA	
463298	TARGA COMANDI C E 2011	
463299	TARGA COMANDI SP E 2011	

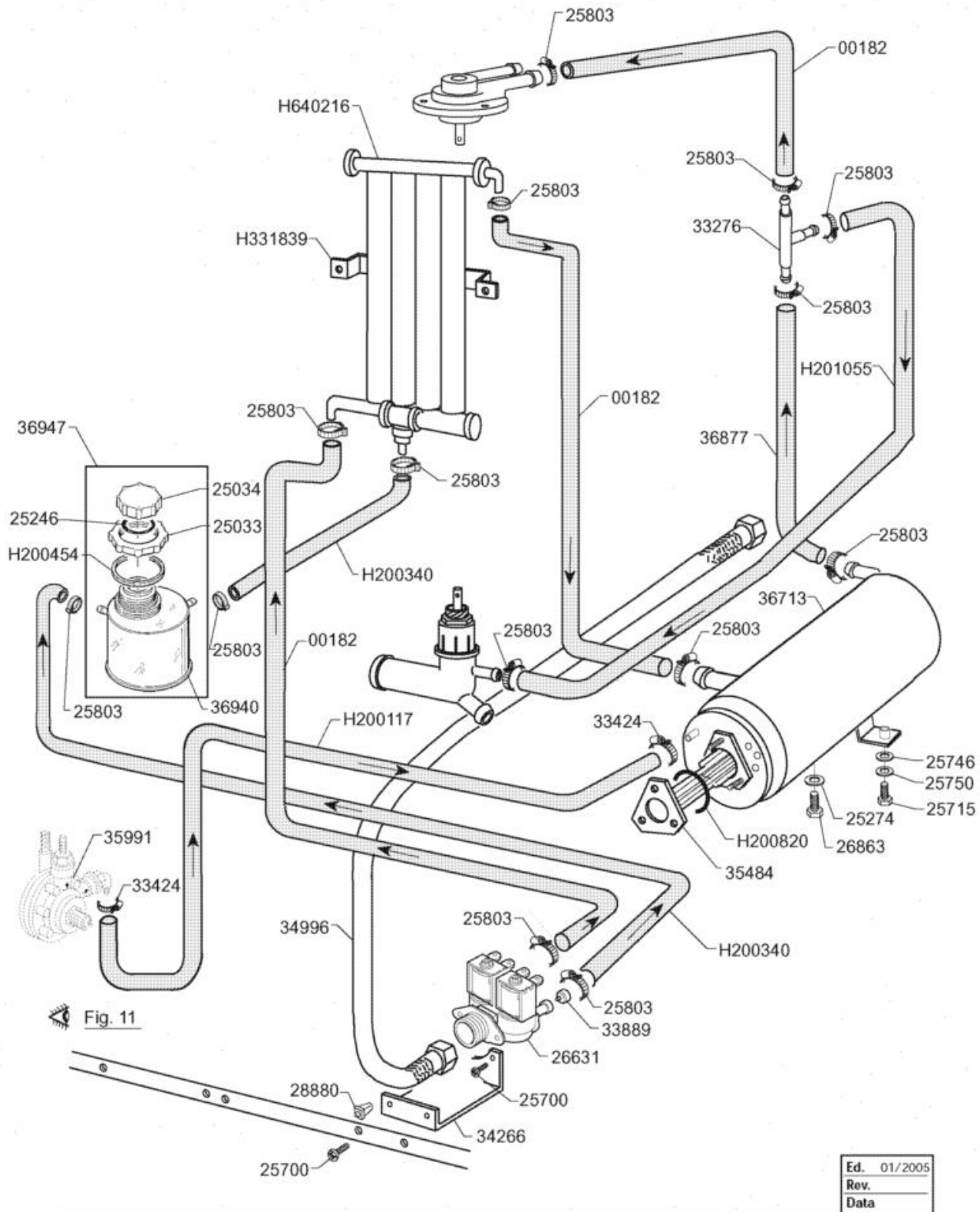


Ed.	2012
Rev.	2013
Data	

Code	Description	
110498	CAVO COLLEG. 500 MM. 10 POLI	
120366	SENSORE MAGNETICO E 510	
120534	TERMOSTATO 0-85°C TR2 9335+PVC	
120536	TERMOSTATO BIP. 105°C RANCO LM8	
121353	TIMER 4 RELE'(3 OPTO) 2012	
130629	PRESSOST. 1.LIV28-12 art.761175	
150226	MORSETTIERA 3 POLI	
160121	TUBO GOMMA NERA 5X9 PRESSOST.	
160572	DISTANZIALE X SUPP.CIRC.STAMP.	
161225	PROTEZ.ISOL.TIMER ELETTR.UNIV.	
161228	PROTEZ.ISOLANTE PVC 150X270	
161316	TRAPPOLA ARIA PRESS.TO BHC	
161317	DADO X TRAPP.ARIA 161316 BHC	
191040	MASCHERINA MANOPOLA TERMOSTATI	
200805	GUARN.OR 2,62X28,24X33,48	
200944	GUARNIZ.X TRAPPOLA ARIA BHC	
25755	TOOTHED SPACER DIAM.8	
260401	DADO STAMPATO 3MA INOX 5587	
260403	DADI STAMP. D5 INOX UNI 5588	
260405	DADO STAMP.M8X5 INOX UNI 5589	
260575	RONDELLA DENTEL.DIAM.5 D.E.	
31828	DENTED ROUND SPACER, EX ? 3	
32970	BEVEL, CROSS-SLOT HD. SCREW TS 3 X	
331482	SQUADRETTA 2 TERMOST.BCH30	
34733	WIRE PIPE CLAMP FOR 9,8-10,1 PIPE	
36366	SPACER FOR KEYBOARD CUTOFF SNAP H10	
36368	ELECTRIC PLANT SUPPORT C E	
36470	STICKING NAMEPLATE, PANEL C 43 E	
36471	NAMEPLATE, PANEL C 46 E	
36474	NAMEPLATE, PANEL C 46 D E	
36489	SWITCH CM DEV. BLUE	
36490	C HORIZ. CONTR. KEYBOARD	
36692	SUPPLY CABLE 3Gx1,5 H07RN-F	
36700	STICKING NAMEPLATE, PANEL SP 35 E	
36701	STICKING NAMEPLATE, PANEL SP 40 E	
36702	STICKING NAMEPLATE, PANEL SP 40 D	
36937	SWITCH CM DEV.DARKBLUE	
36950	SUPPORTO a CLIP ADESIVO DIA.10	
37013	RONDELLA PIANA M3 003030500001	
37084	DADO NYLON M3	
450137	ATTACCO A COLLARE C/BASE 31900	
450291	MOLLA BLOCC.CAVO SCHEDA H37332	
450315	MANOPOLA TERMOSTATI	
460121	TARGH.DI MESSA A TERRA=33349	
463298	TARGA COMANDI C E 2011	

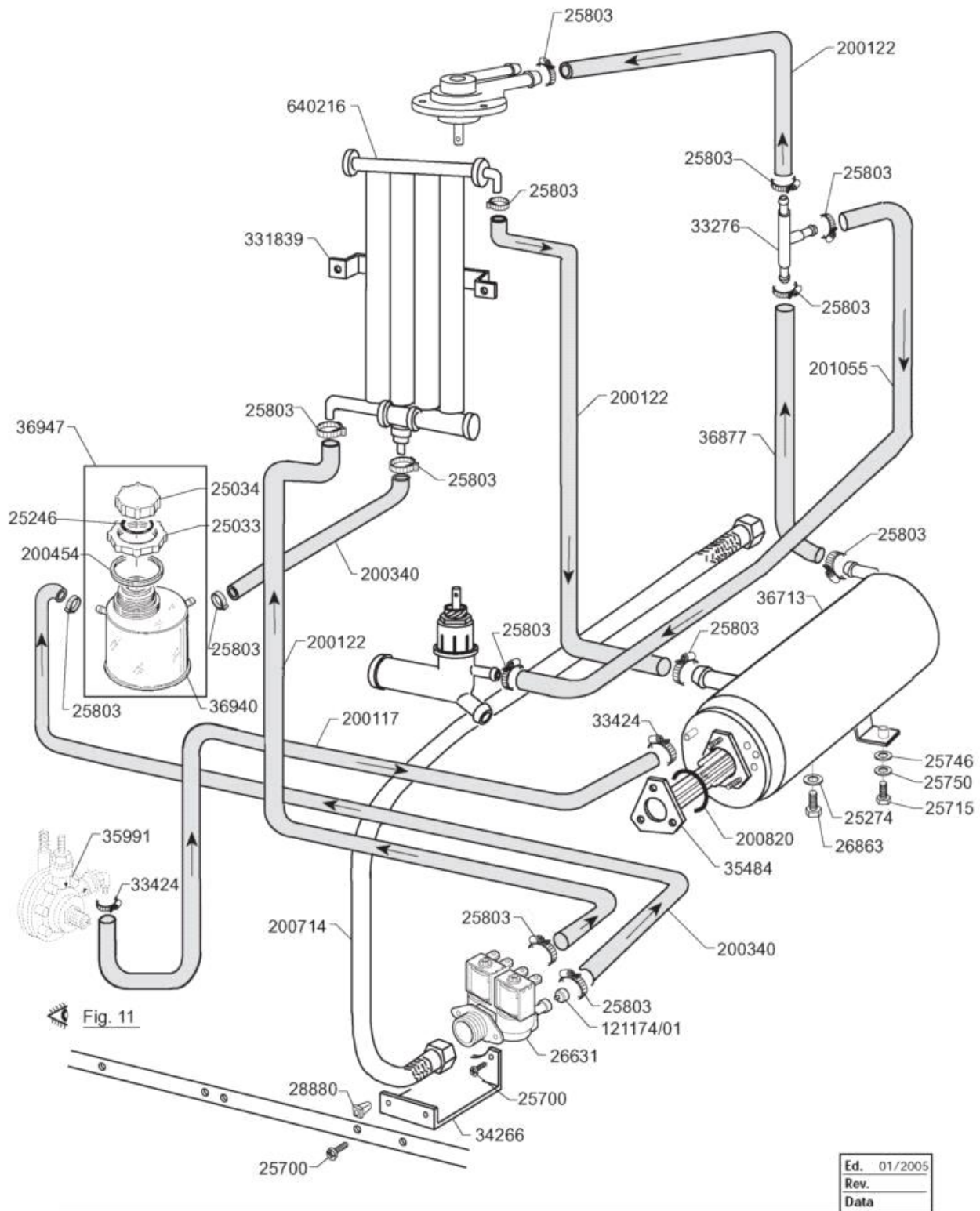
Code	Description	
463299	TARGA COMANDI SP E 2011	
631209	FILTRO ANTIDISTURBO TIPO 5001	

Rinse Assembly/water Softener



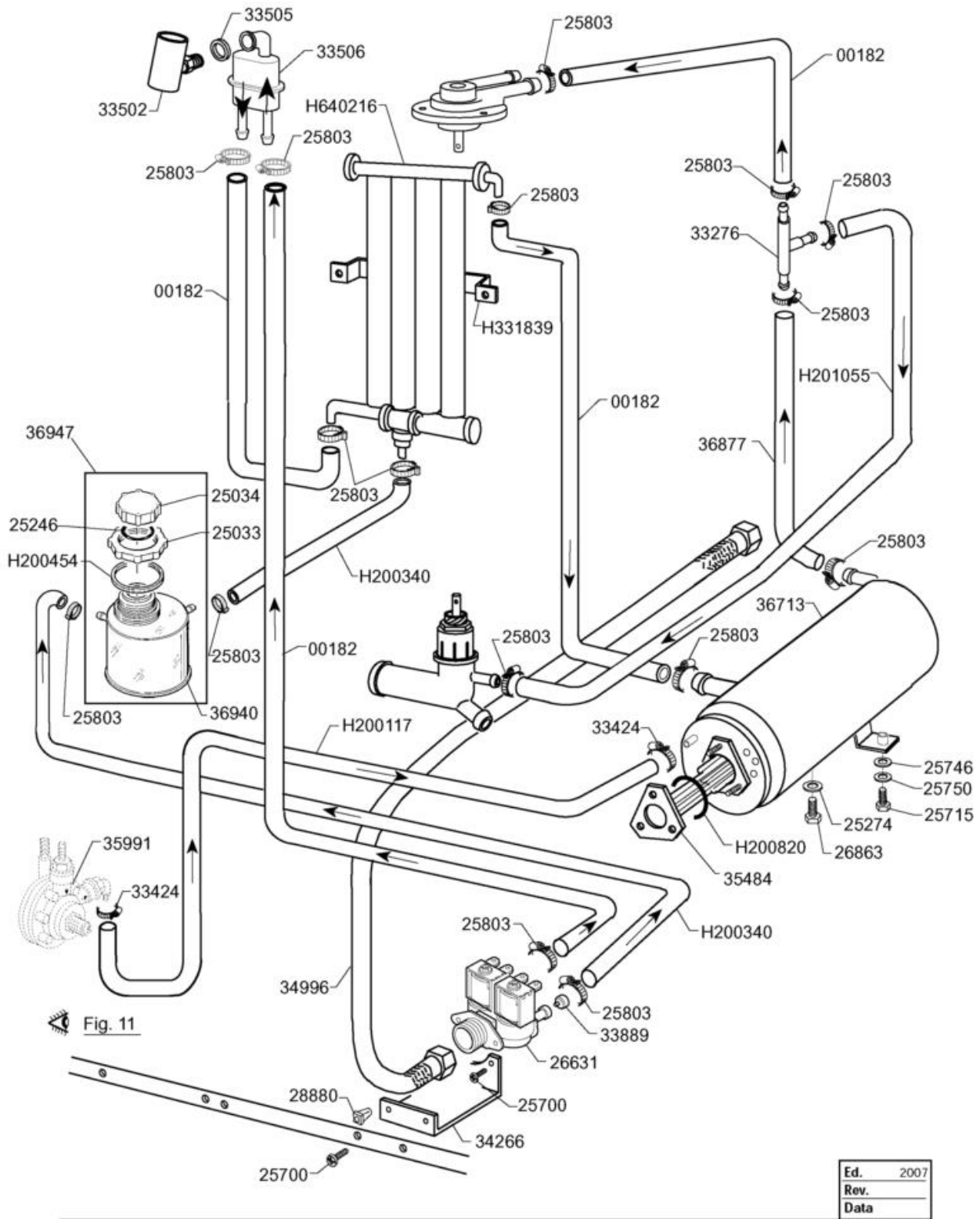
Rinse Assembly/water Softener

Code	Description	
00182	HOSE 11X19 CASER/15"BLUE"	
200117	TUBO GOMMA 8x15 CALORFORM/10	
200340	MANIC. B25-7-12-CON.SAL.+BRILL	
200454	GUARNIZ.x CONT.SALE foro d.72	
200820	GUARN.OR 5,33X46,99X57,6	
201055	TUBO RISC.PIPA INF.	
25033	SALT NUT -> SEE 25051	
25034	PLUG, SALT CONTAIN. -> 25051	
25246	GASKET OR X SALT CONTAIN.	
25274	FLAT GASKET 12 X 6 X 2	
25700	SCREW CHEESE-H. 4 X 8 KNURLED	
25715	SCREW HEX.HD M 6 X 16 SS	
25746	SPACER, FLAT, DIAM.6/18	
25750	SPACER, SPLITTED, DIAM. 6	
25803	HOSE CLIP 13-20 ABA	
26631	SOLENOID V., DOUBLE 3/4"	
26863	HEX HD SCREW 6 X 8 STAINLESS S.	
28880	NUT SCREW	
331839	CAVALLOT.FISS.ADDOLC.4 COLONNE	
33276	T-SHAPED CONNECTOR ?11,5-PART180413	
33424	FE-ZN CLAMP 11-17 H=9	
33889	REDUCER, SOLENOID V. REGENER	
34266	BRACKET, SOLENOID VALVE, SHORT	
34996	FILLING HOSE, 90? VDE	
35484	FL.RESIST.3200 MONO w/out CAPILLARY	
35991	RINSE AID DISP. YELLOW, STS48 BT	
36713	BOILER STS 43/48	
36877	TUBE JUNCT. BOILER-RISC.	
36940	SALT CONT. 0,75Kg. CPL	
36947	SALT CONT. FOR SPARE PART 0,75Kg.	
640216	ADDOLCITORE 4 COLON. ENTR.CENT	



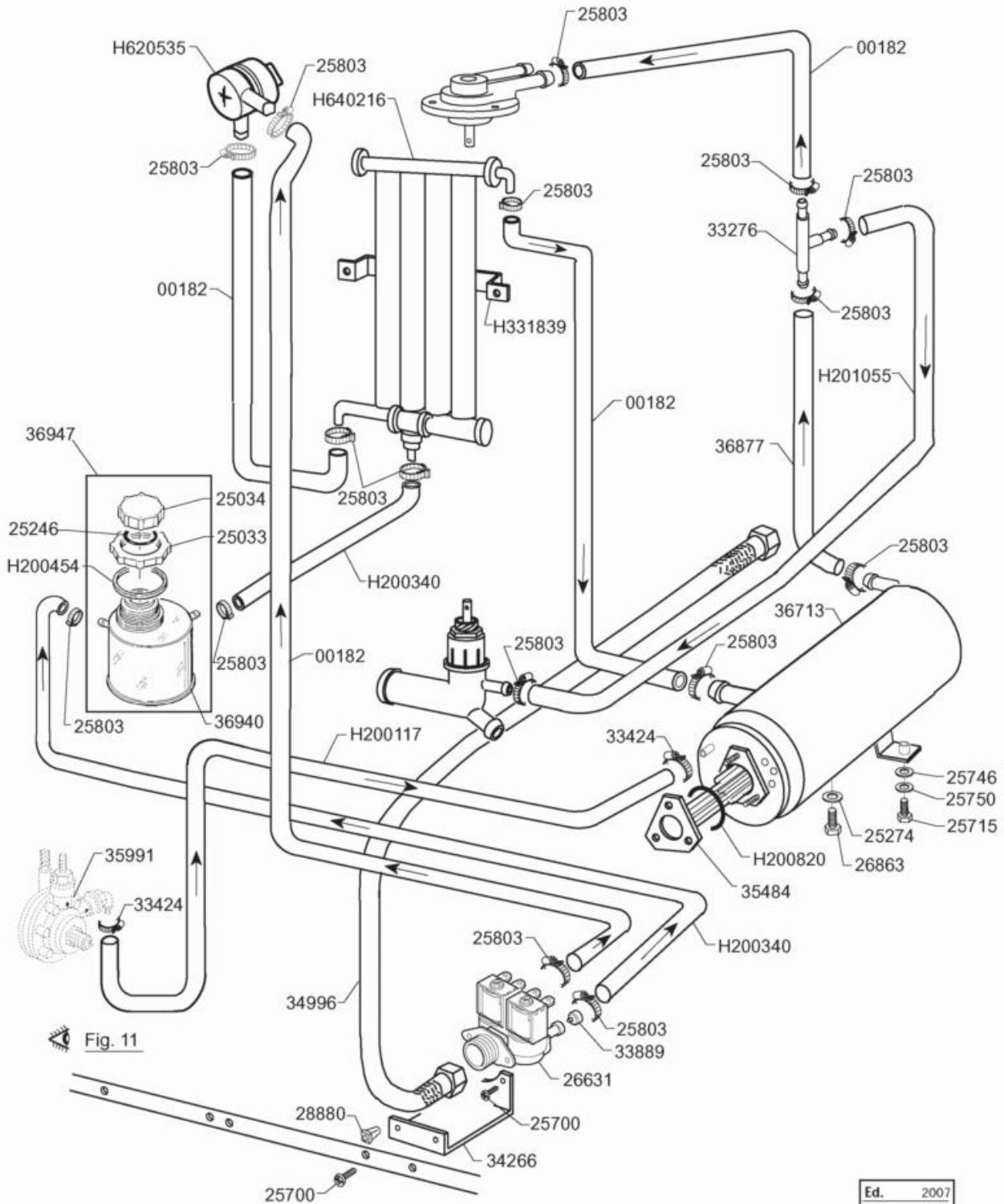
Rinse Assembly/water Softener 07/2010 ->>

Code	Description	
121174/01	REG.DI PORTATA T&P AZZURRO RIG	
200117	TUBO GOMMA 8x15 CALORFORM/10	
200122	TUBO GOMMA 11X19 CASER/15 BLU	
200340	MANIC. B25-7-12-CON.SAL.+BRILL	
200454	GUARNIZ.x CONT.SALE foro d.72	
200714	TUBO CARICO LAVABICCH.NYLON	
200820	GUARN.OR 5,33X46,99X57,6	
201055	TUBO RISC.PIPA INF.	
25033	SALT NUT -> SEE 25051	
25034	PLUG, SALT CONTAIN. -> 25051	
25246	GASKET OR X SALT CONTAIN.	
25274	FLAT GASKET 12 X 6 X 2	
25700	SCREW CHEESE-H. 4 X 8 KNURLED	
25715	SCREW HEX.HD M 6 X 16 SS	
25746	SPACER, FLAT, DIAM.6/18	
25750	SPACER, SPLITTED, DIAM. 6	
25803	HOSE CLIP 13-20 ABA	
26631	SOLENOID V., DOUBLE 3/4"	
26863	HEX HD SCREW 6 X 8 STAINLESS S.	
28880	NUT SCREW	
331839	CAVALLOT.FISS.ADDOLC.4 COLONNE	
33276	T-SHAPED CONNECTOR ?11,5-PART180413	
33424	FE-ZN CLAMP 11-17 H=9	
34266	BRACKET, SOLENOID VALVE, SHORT	
35484	FL.RESIST.3200 MONO w/out CAPILLARY	
35991	RINSE AID DISP. YELLOW, STS48 BT	
36713	BOILER STS 43/48	
36877	TUBE JUNCT. BOILER-RISC.	
36940	SALT CONT. 0,75Kg. CPL	
36947	SALT CONT. FOR SPARE PART 0,75Kg.	
640216	ADDOLCITORE 4 COLON. ENTR.CENT	

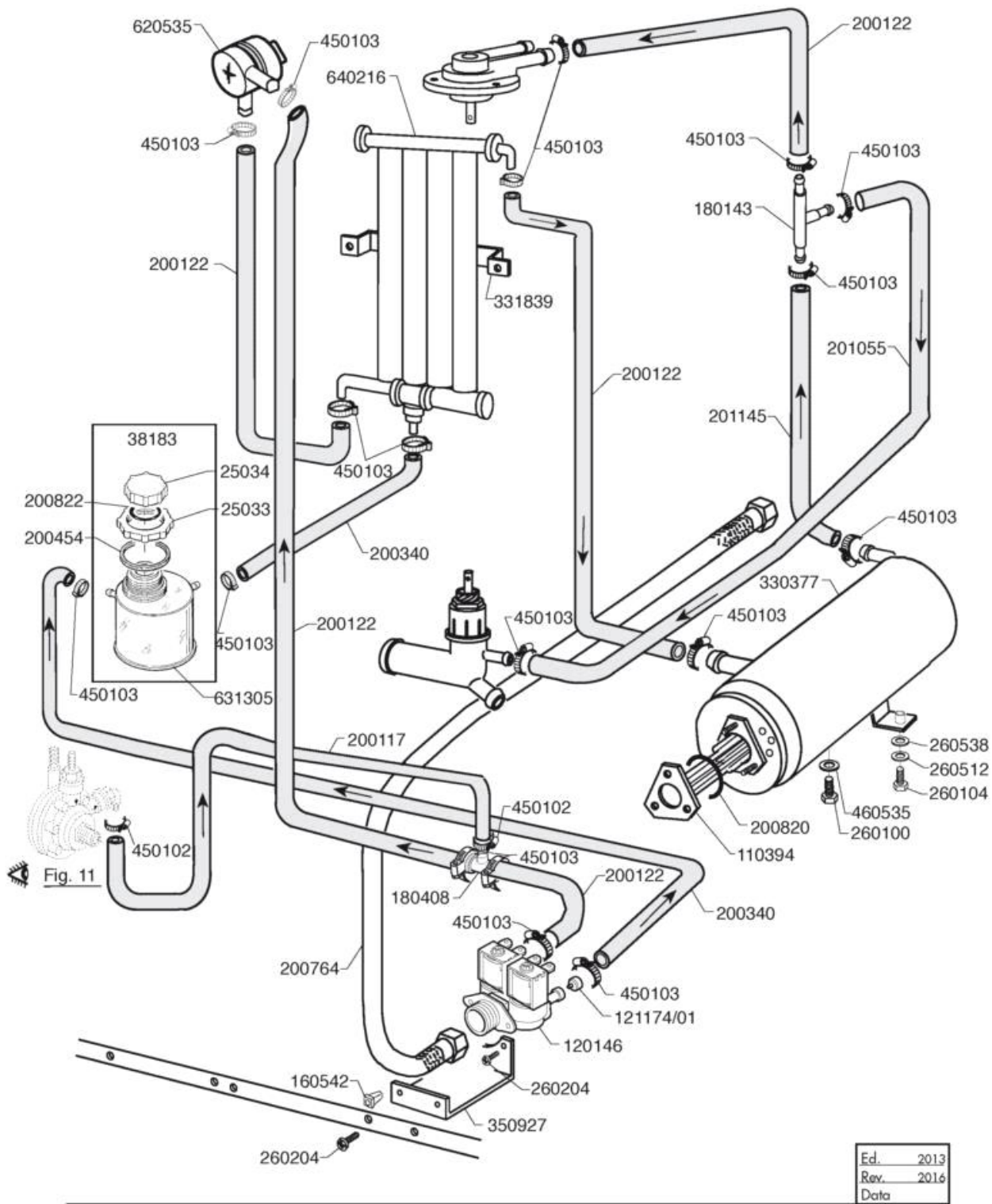


Rinse Assembly/water Softener /dv

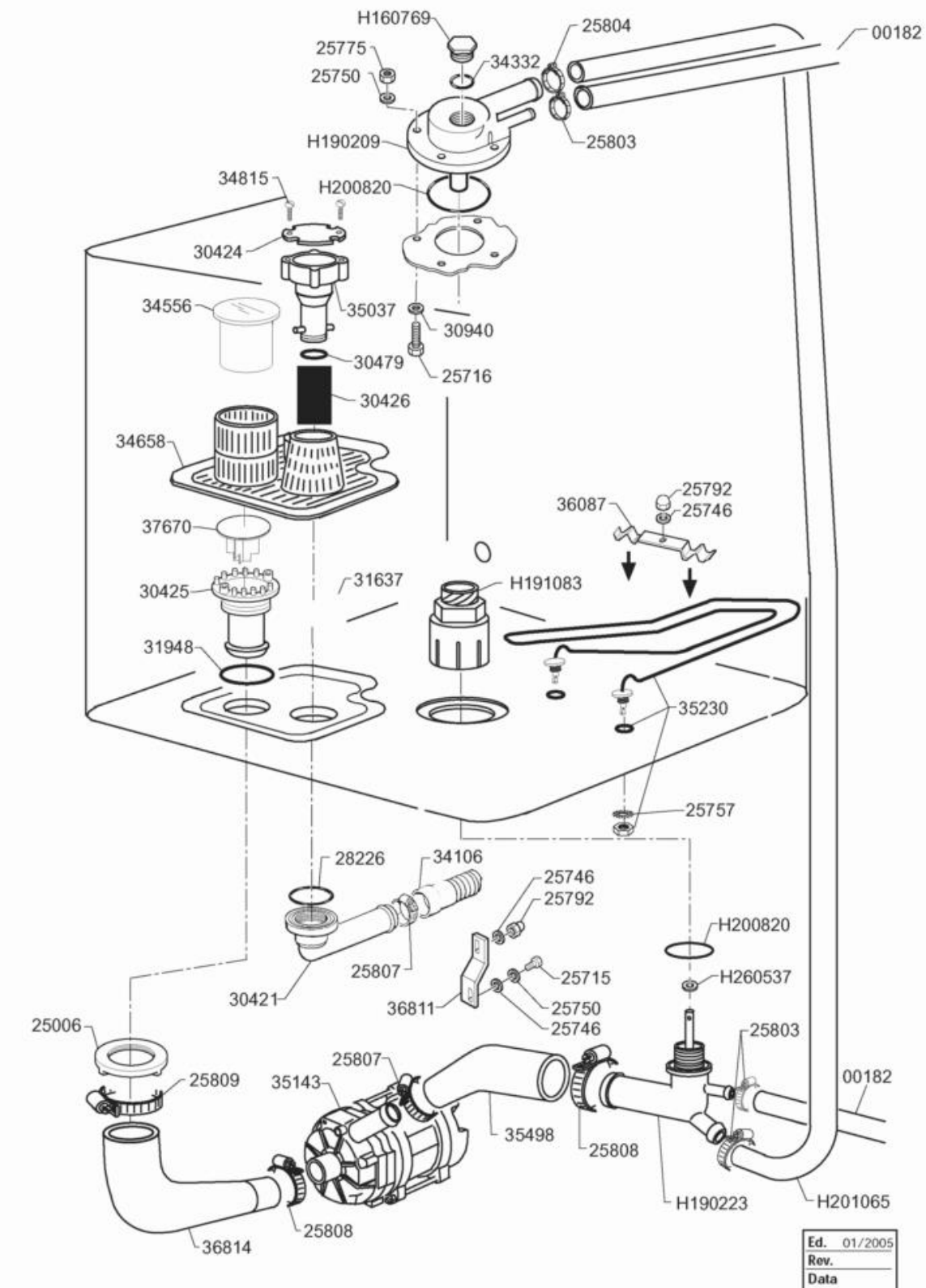
Code	Description	
00182	HOSE 11X19 CASER/15"BLUE"	
200117	TUBO GOMMA 8x15 CALORFORM/10	
200340	MANIC. B25-7-12-CON.SAL. +BRILL	
200454	GUARNIZ.x CONT.SALE foro d.72	
200820	GUARN.OR 5,33X46,99X57,6	
201055	TUBO RISC.PIPA INF.	
25033	SALT NUT -> SEE 25051	
25034	PLUG, SALT CONTAIN. -> 25051	
25246	GASKET OR X SALT CONTAIN.	
25274	FLAT GASKET 12 X 6 X 2	
25700	SCREW CHEESE-H. 4 X 8 KNURLED	
25715	SCREW HEX.HD M 6 X 16 SS	
25746	SPACER, FLAT, DIAM.6/18	
25750	SPACER, SPLITTED, DIAM. 6	
25803	HOSE CLIP 13-20 ABA	
26631	SOLENOID V., DOUBLE 3/4"	
26863	HEX HD SCREW 6 X 8 STAINLESS S.	
28880	NUT SCREW	
331839	CAVALLOT.FISS.ADDOLC.4 COLONNE	
33276	T-SHAPED CONNECTOR ?11,5-PART180413	
33424	FE-ZN CLAMP 11-17 H=9	
33502	T SPLASHPROOF FOR ANTIVAC.VLV	
33505	GASKET 30X21X2 KLINGER SIL	
33506	ANTI-VACUUM VALVE "B-F-C"	
33889	REDUCER, SOLENOID V. REGENER	
34266	BRACKET, SOLENOID VALVE, SHORT	
34996	FILLING HOSE, 90? VDE	
35484	FL.RESIST.3200 MONO w/out CAPILLARY	
35991	RINSE AID DISP. YELLOW, STS48 BT	
36713	BOILER STS 43/48	
36877	TUBE JUNCT. BOILER-RISC.	
36940	SALT CONT. 0,75Kg. CPL	
36947	SALT CONT. FOR SPARE PART 0,75Kg.	
640216	ADDOLCITORE 4 COLON. ENTR.CENT	



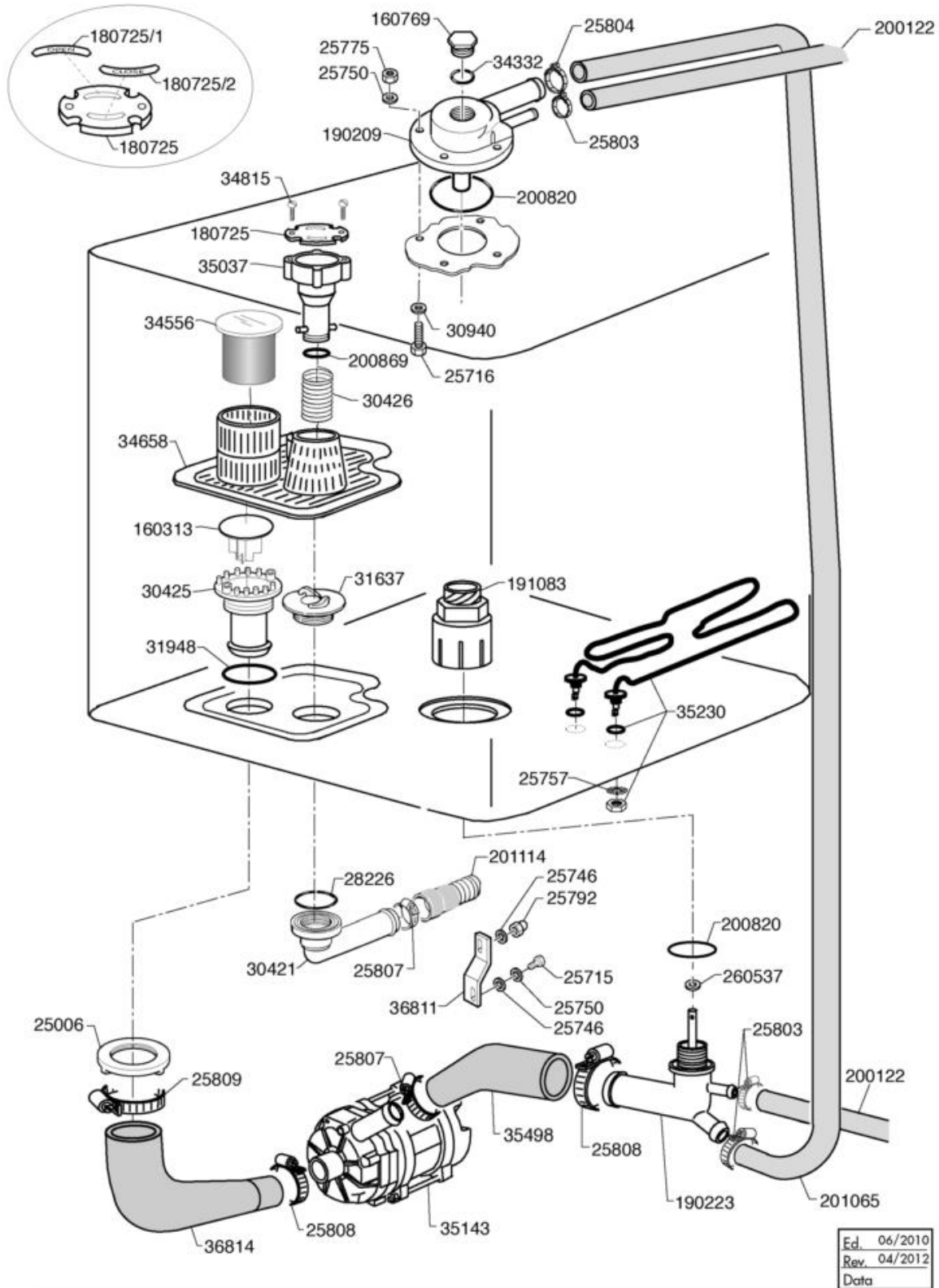
Code	Description	
00182	HOSE 11X19 CASER/15"BLUE"	
200117	TUBO GOMMA 8x15 CALORFORM/10	
200340	MANIC. B25-7-12-CON.SAL.+BRILL	
200454	GUARNIZ.x CONT.SALE foro d.72	
200820	GUARN.OR 5,33X46,99X57,6	
201055	TUBO RISC.PIPA INF.	
25033	SALT NUT -> SEE 25051	
25034	PLUG, SALT CONTAIN. -> 25051	
25246	GASKET OR X SALT CONTAIN.	
25274	FLAT GASKET 12 X 6 X 2	
25700	SCREW CHEESE-H. 4 X 8 KNURLED	
25715	SCREW HEX.HD M 6 X 16 SS	
25746	SPACER, FLAT, DIAM.6/18	
25750	SPACER, SPLITTED, DIAM. 6	
25803	HOSE CLIP 13-20 ABA	
26631	SOLENOID V., DOUBLE 3/4"	
26863	HEX HD SCREW 6 X 8 STAINLESS S.	
28880	NUT SCREW	
331839	CAVALLOT.FISS.ADDOLC.4 COLONNE	
33276	T-SHAPED CONNECTOR ?11,5-PART180413	
33424	FE-ZN CLAMP 11-17 H=9	
33889	REDUCER, SOLENOID V. REGENER	
34266	BRACKET, SOLENOID VALVE, SHORT	
34996	FILLING HOSE, 90? VDE	
35484	FL.RESIST.3200 MONO w/out CAPILLARY	
35991	RINSE AID DISP. YELLOW, STS48 BT	
36713	BOILER STS 43/48	
36877	TUBE JUNCT. BOILER-RISC.	
36940	SALT CONT. 0,75Kg. CPL	
36947	SALT CONT. FOR SPARE PART 0,75Kg.	
620535	VALVOLA ANTIVUOTO "B-F-C"	
640216	ADDOLCITORE 4 COLON. ENTR.CENT	



Code	Description	
110394	RESISTENZA 2800W FL. D.47	
120146	ELETTROV.A 2 VIE 180?	
121174/01	REG.DI PORTATA T&P AZZURRO RIG	
160542	MADREVITE	
180408	PORTAG.T DOSAT.ATT.CENTR.RID.	
200117	TUBO GOMMA 8x15 CALORFORM/10	
200122	TUBO GOMMA 11X19 CASER/15 BLU	
200340	MANIC. B25-7-12-CON.SAL. +BRILL	
200454	GUARNIZ.x CONT.SALE foro d.72	
200764	TUBO CARICO EN61770 WRAS 2MT	
200820	GUARN.OR 5,33X46,99X57,6	
200822	GUARNIZIONE OR X CONTENIT.SALE	
201055	TUBO RISC.PIPA INF.	
201145	TUBO COLLEGAMENTO BOILER-RISC.	
25033	SALT NUT -> SEE 25051	
25034	PLUG, SALT CONTAIN. -> 25051	
260100	VITE TE 6X8 INOX A2 UNI 5739	
260104	VITE TE 6X16 INOX A2 UNI 5739	
260204	VITE TCP 4X8 INOX A2 UNI 6107	
260512	RONDEL.GROWER D6 INOX UNI 1751	
260538	RONDELLA STAMP.18X6X1,5 INOX9	
330377	BOLLITORE HC 3 - HC4 - RG	
331839	CAVALLOT.FISS.ADDOLC.4 COLONNE	
350927	SQUADRETTA ELETTROVAL. CORTA	
38183	CONTENITORE SALE 0,50Kg x RIC.	
450102	FASCETTA FE ZN 11-17 H=9	
450103	FASCETTA FE ZN.13-20 H=9	
460535	GUARN.X TAPPO SCAR.BOILER BHC	
620535	VALVOLA ANTIVUOTO "B-F-C"	
631305	CONTENITORE SALE 0,50kg	
640216	ADDOLCITORE 4 COLON. ENTR.CENT	

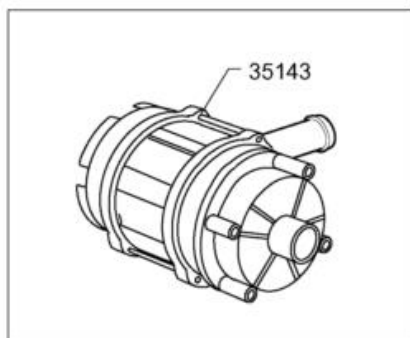
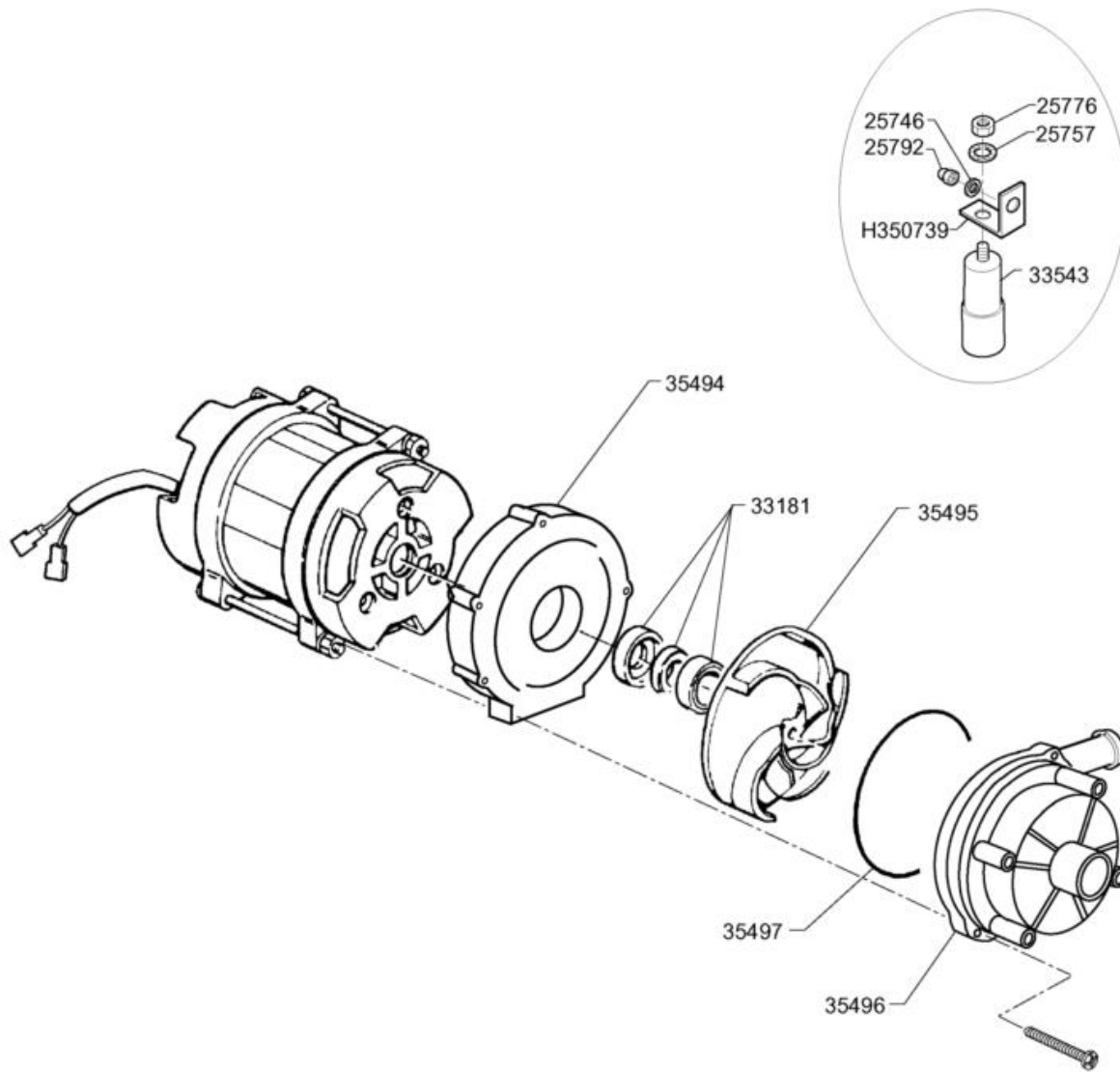


Code	Description	
00182	HOSE 11X19 CASER/15"BLUE"	
160769	TAPPO 1/2" X SUPPORTO MULIN.	
190209	SUPPORTO MULINELLO SUPERIORE	
190223	SUPPOR.MUL.INF.SEDE ANELLO CEN	
191083	COLONNINA INFERIORE BHC	
200820	GUARN.OR 5,33X46,99X57,6	
201065	TUBO MAND.LAV.SUP.C43/46E-LB	
25006	NUT FO DRAIN SUCT. P.	
25715	SCREW HEX.HD M 6 X 16 SS	
25716	SCREW HEX.HD M 6 X 20 SS	
25746	SPACER, FLAT, DIAM.6/18	
25750	SPACER, SPLITTED, DIAM. 6	
25757	TOOTHED SPACER DIAM. 12 D.E.D787	
25775	NUT 6 MA	
25792	SELF-LOCKING NUT 6 MA LOWER SIDE	
25803	HOSE CLIP 13-20 ABA	
25804	HOSE CLIP 15-24 ABA	
25807	HOSE CLIP 26-38 ABA	
25808	HOSE CLIP 27-51CLAM	
25809	HOSE CLIP 40-64CLAM	
260537	RONDEL.INOX D.13X20X0,8-6592	
28226	GASKET OR 3181 FOR DRAIN LUG	
30421	DRAIN FITTING, LONG	
30424	COVER FOR OVERFLOW TUBE	
30425	SUCTION PIPE UNION	
30426	SPRING FOR OVERFLOW TUBE	
30479	GASKET OR 4081	
30940	FLAT SPACER, BLACK, DIA. 6	
31637	CROSSLESS HOOK SLEEVE	
31948	GASKET OR	
34106	DRAIN TUBE DR. D.20X1500	
34332	GASKET OR 128 SUPP.PLUG	
34556	SUCTION FILTER PUMP STS-43-48-53	
34658	FILTER, TANK POLYP. 43-53/98	
34815	CROSS-SL.HD SELF-TAP.SCREW3,9 X 13	
35037	OVERFLOW TUBE 43/48 COM	
35143	WASH PUMP HP .0,3 ZF140 50 Hz	
35230	HEAT.ELEM. TANK 2000W-230V S-SHAPE	
35498	DELIVERY PIPE.H STS43-48	
36087	SUPPORT X HEATING ELEM. TANK	
36811	FIXING PUMP HOLDER C43/46 E C35	
36814	INLET SLEEVE C 43/C 46 E	
37670	ROMPIGORGO ASPIRAZIONE POMPA	



Tank C43/46E - SP35E/40E

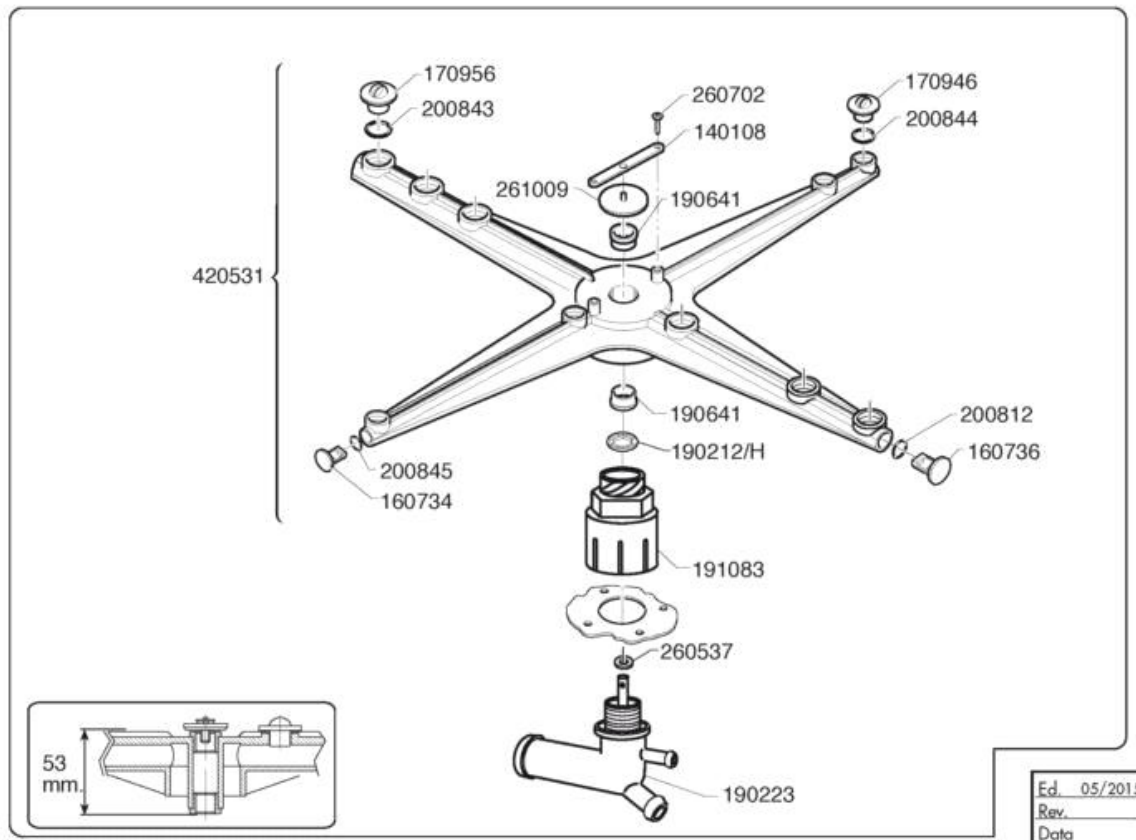
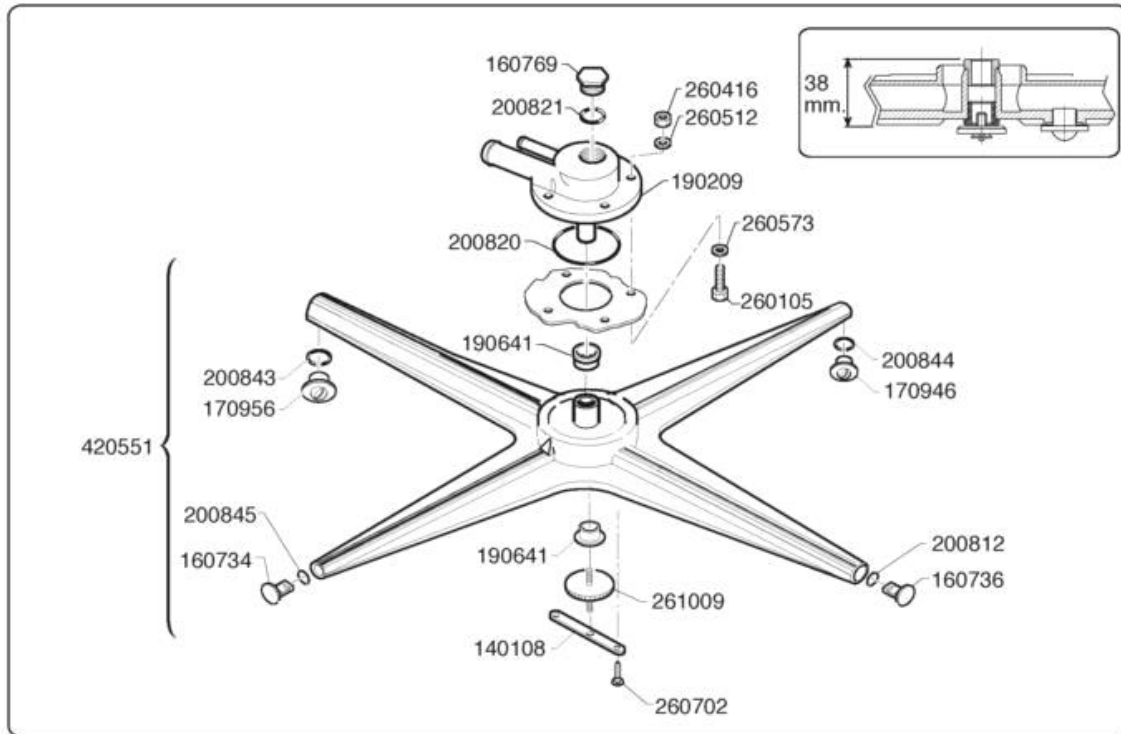
Code	Description	
160313	ROMPIGORGO ASPIR.POMPA BC	
160769	TAPPO 1/2" X SUPPORTO MULIN.	
180725	COPERCHIO TROPPOPIENO BHC ?	
180725/1	PLACCHETTA OPEN X COPER.180725	
180725/2	PLACCHETTA CLOSE XCOPER.180725	
190209	SUPPORTO MULINELLO SUPERIORE	
190223	SUPPOR.MUL.INF.SEDE ANELLO CEN	
191083	COLONNINA INFERIORE BHC	
200122	TUBO GOMMA 11X19 CASER/15 BLU	
200820	GUARN.OR 5,33X46,99X57,6	
200869	GUARN.OR 3,53X20,22 X 27,28	
201065	TUBO MAND.LAV.SUP.C43/46E-LB	
201114	TUBO SCARICO C35/43/46-ST4348E	
25006	NUT FO DRAIN SUCT. P.	
25715	SCREW HEX.HD M 6 X 16 SS	
25716	SCREW HEX.HD M 6 X 20 SS	
25746	SPACER, FLAT, DIAM.6/18	
25750	SPACER, SPLITTED, DIAM. 6	
25757	TOOTHED SPACER DIAM. 12 D.E.D787	
25775	NUT 6 MA	
25792	SELF-LOCKING NUT 6 MA LOWER SIDE	
25803	HOSE CLIP 13-20 ABA	
25804	HOSE CLIP 15-24 ABA	
25807	HOSE CLIP 26-38 ABA	
25808	HOSE CLIP 27-51CLAM	
25809	HOSE CLIP 40-64CLAM	
260537	RONDEL.INOX D.13X20X0,8-6592	
28226	GASKET OR 3181 FOR DRAIN LUG	
30421	DRAIN FITTING, LONG	
30425	SUCTION PIPE UNION	
30426	SPRING FOR OVERFLOW TUBE	
30940	FLAT SPACER, BLACK, DIA. 6	
31637	CROSSLESS HOOK SLEEVE	
31948	GASKET OR	
34332	GASKET OR 128 SUPP.PLUG	
34556	SUCTION FILTER PUMP STS-43-48-53	
34658	FILTER, TANK POLYP. 43-53/98	
34815	CROSS-SL.HD SELF-TAP.SCREW3,9 X 13	
35037	OVERFLOW TUBE 43/48 COM	
35143	WASH PUMP HP .0,3 ZF140 50 Hz	
35230	HEAT.ELEM. TANK 2000W-230V S-SHAPE	
35498	DELIVERY PIPE.H STS43-48	
36811	FIXING PUMP HOLDER C43/46 E C35	
36814	INLET SLEEVE C 43/C 46 E	



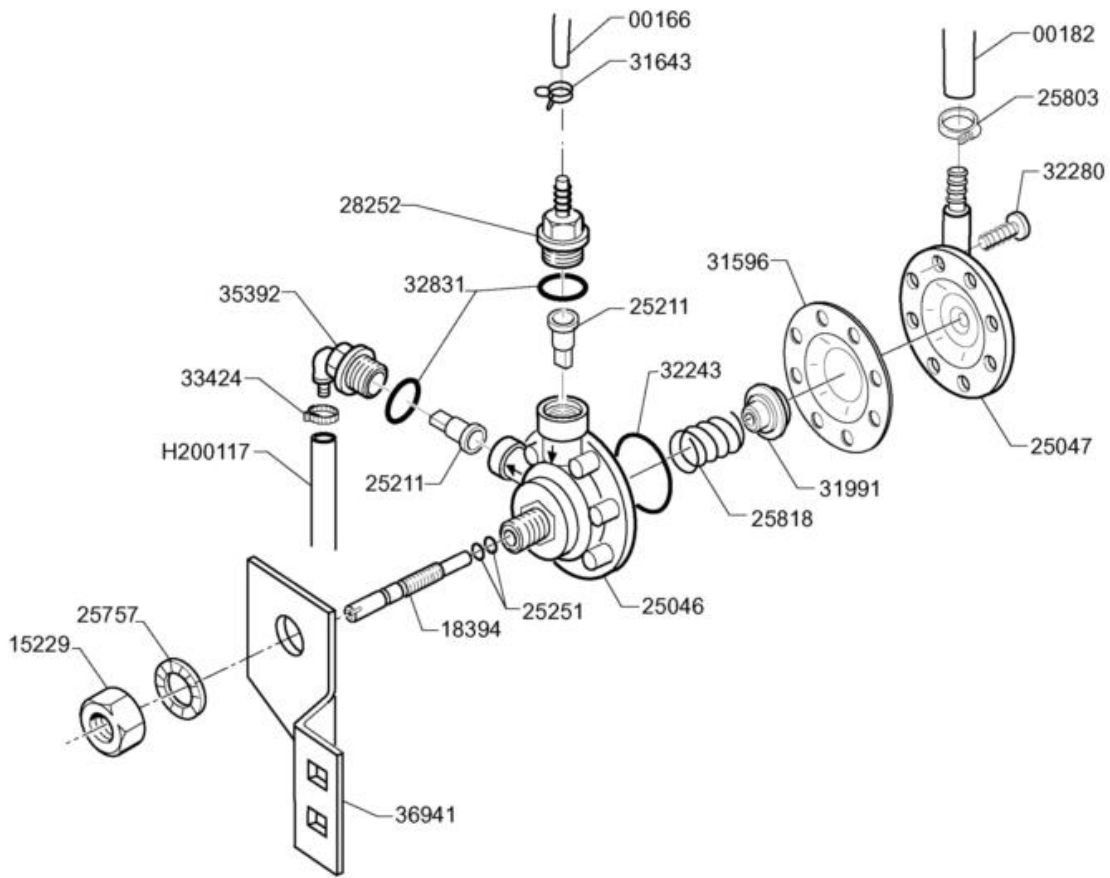
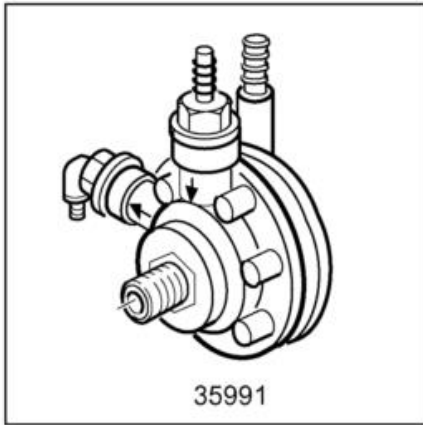
Ed.	01/2005
Rev.	
Data	

Wash Pump

Code	Description	
25746	SPACER, FLAT, DIAM.6/18	
25757	TOOTHED SPACER DIAM. 12 D.E.D787	
25776	NUTS 8 MA SS 18/8	
25792	SELF-LOCKING NUT 6 MA LOWER SIDE	
33181	SHAFT SEAL C3 (LGB)FOR PUMP CODE 32	
33543	CAPACITOR 5 UF-450 V	
35143	WASH PUMP HP .0,3 ZF140 50 Hz	
35494	PUMP FLANGE, ZF140 (35143)	
35495	PUMP IMPELLER ZF 140 (35143)	
35496	PUMP SCROLL ZF 140 (35143)	
35497	GASKET OR 94,97 X 1,78 LGB	



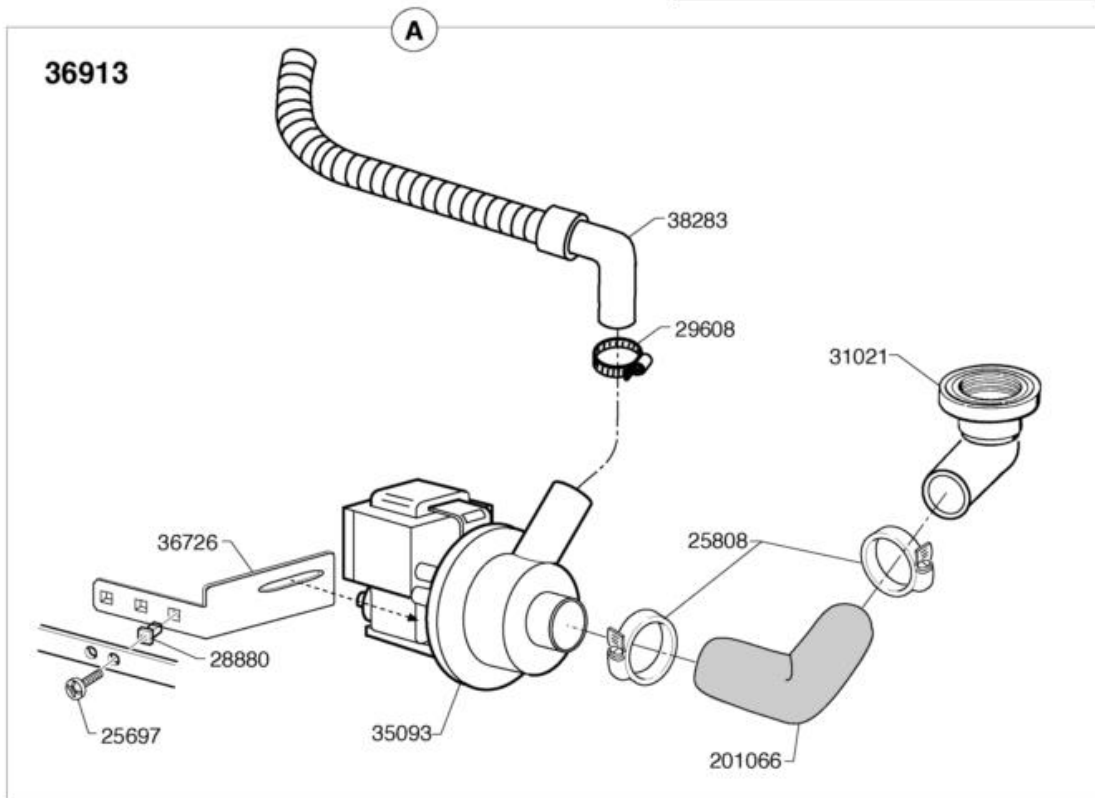
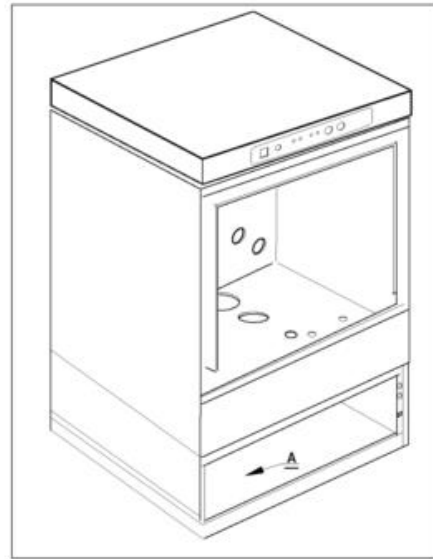
Code	Description	
160734	TAPPO RISCIAQUO MULINEL.F45	
160769	TAPPO 1/2" X SUPPORTO MULIN.	
170946	UGELLO RISC.MUL.F45/55	
170956	UGELLO LAVAGGIO TIPO-B	
190209	SUPPORTO MULINELLO SUPERIORE	
190212/H	ANELLO CENTRAGGIO PIPE FC06	
190223	SUPPOR.MUL.INF.SEDE ANELLO CEN	
190641	BUSSOLA MULIN.RISC."C" V.S.	
191083	COLONNINA INFERIORE BHC	
200812	GUARN.OR 1,78X17,17X20,73	
200820	GUARN.OR 5,33X46,99X57,6	
200821	GUARN.OR 2,62X20,63X25,87	
200843	GUARN.OR 2X13X17 F.SER.	
200844	GUARNIZIONE OR 2X9,5X13,5 F.S.	
200845	GUARN.OR 2,62X9,13X14,37	
260105	VITE TE 6X20 INOX A2 UNI 5739	
260416	DADI"M6"INOX A2 "5587"Stampati	
260512	RONDEL.GROWER D6 INOX UNI 1751	
260537	RONDEL.INOX D.13X20X0,8-6592	
260573	RONDELLA PIANA NYLON DIAM. 6	
261009	VITE FISS. MULINELLO TUB.ACC.	
420531	MULINELLO LAV/RISC. INFERIORE	
420551	MULINELLO LAV/RISC. SUPERIORE	



Ed.	01/2005
Rev.	
Data	

Rinse Aid Injector

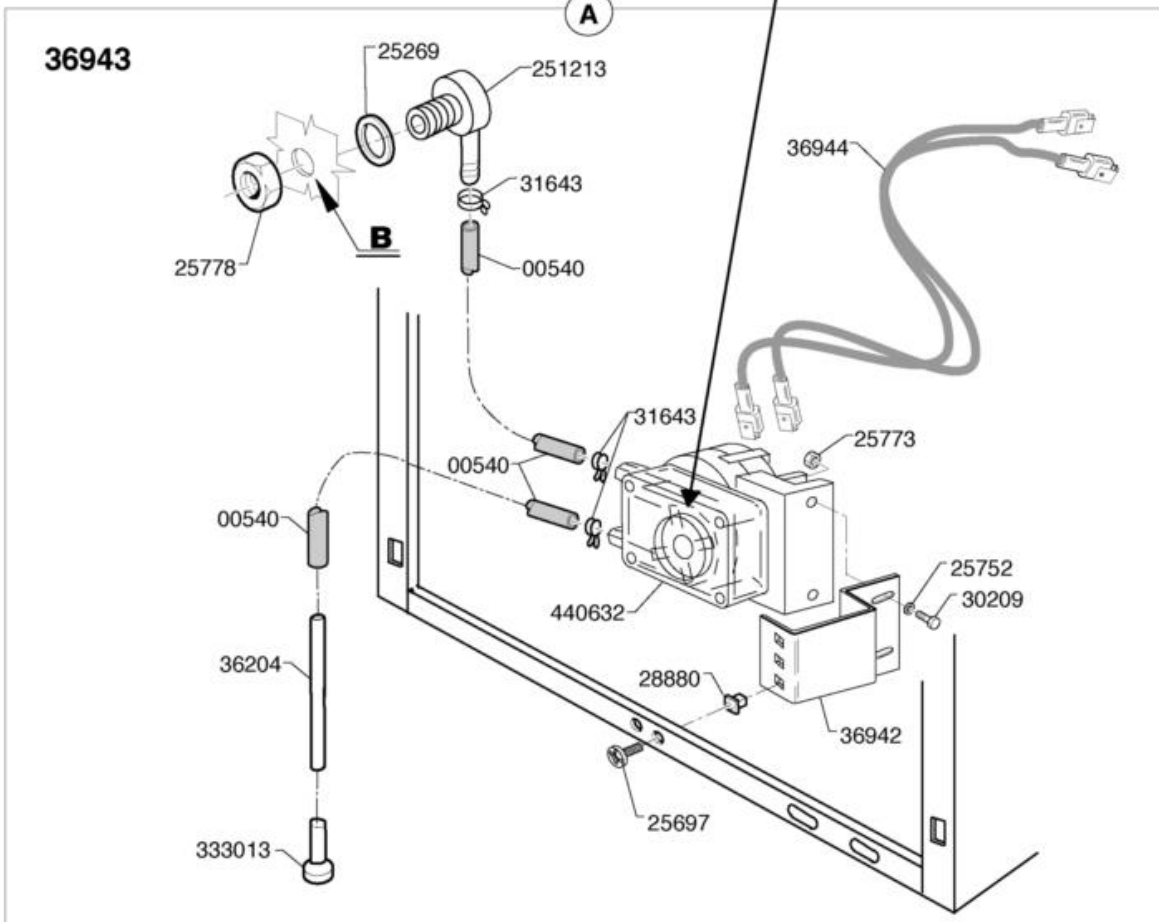
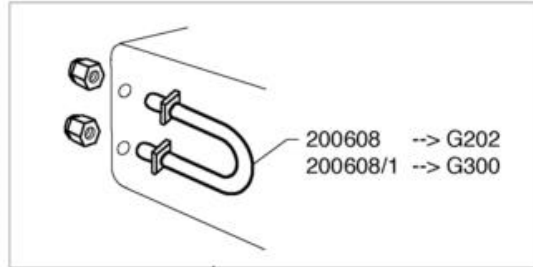
Code	Description	
00166	ROLL TUBE TRANSP. 4X7	
00182	HOSE 11X19 CASER/15"BLUE"	
15229	LOCK NUT AID DISPENSER	
18394	SCREW CONTROL DISPENSER	
200117	TUBO GOMMA 8x15 CALORFORM/10	
25046	UPPER DISPENSER ASSEMBLY	
25047	LOWER DISPENSER ASSEMBLY	
25211	NON RETURN VALVE RINSE AID DISP.	
25251	GASKET OR 2012	
25757	TOOTHED SPACER DIAM. 12 D.E.D787	
25803	HOSE CLIP 13-20 ABA	
25818	CYLINDER SPRING (WIRE)	
28252	FITTING SUCTION DISPENSER	
31596	DIAPHRAGM, DISPENSER	
31643	HOSE CLIP 7,3-7,8	
31991	SPRING GUIDE FOR DISPENSER	
32243	GASKET OR 3156	
32280	OVAL HD. CROSS-SL. SCREW 4 X 13	
32831	GASKET OR 2062	
33424	FE-ZN CLAMP 11-17 H=9	
35392	90° VALVE FITTING, RINSE AID H/C	
35991	RINSE AID DISP. YELLOW, STS48 BT	
36941	FIX.SQUARE FOR RINSE AID DISPEN. C4	



Ed. 01/2005
Rev. 10/2011
Data

Drain Pump

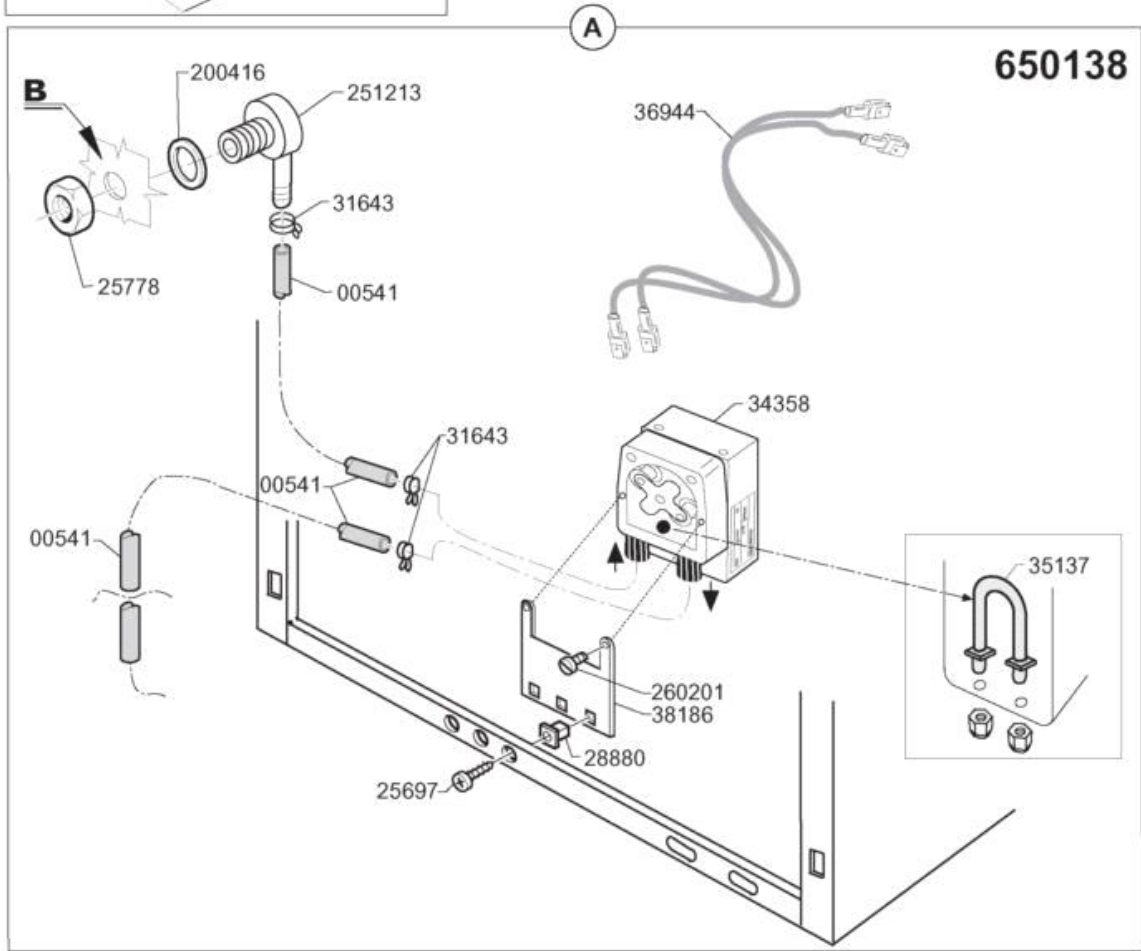
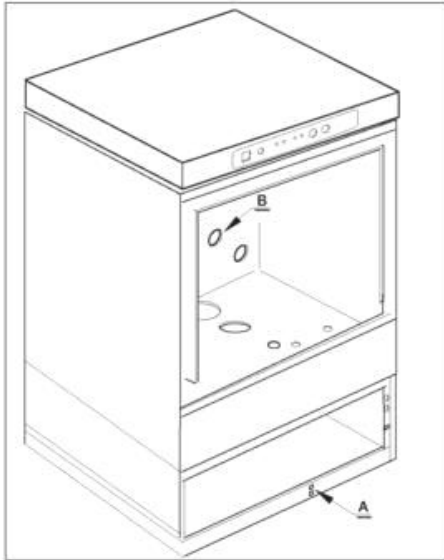
Code	Description	
201066	TUBO ASPIRAZ.POMPA SCARICO C E	
25697	SELF-TAPPING SCREW CHEESE D747H.ROS	
25808	HOSE CLIP 27-51CLAM	
28880	NUT SCREW	
29608	HOSE CLIP 17-32CLAM	
31021	DRAIN PIPE UNION, SHORT, BPS	
35093	DRAIN PUMP HANNING TYPE DPS 25	
36726	SQUARE, DRAIN PUMP C43/46E	
36913	DRAIN PUMP C43/46 E+D	
38283	TUBO DI SCARICO DIAM.18,5X2000	



Ed.	2007
Rev.	2011
Date	

Detergent Pump

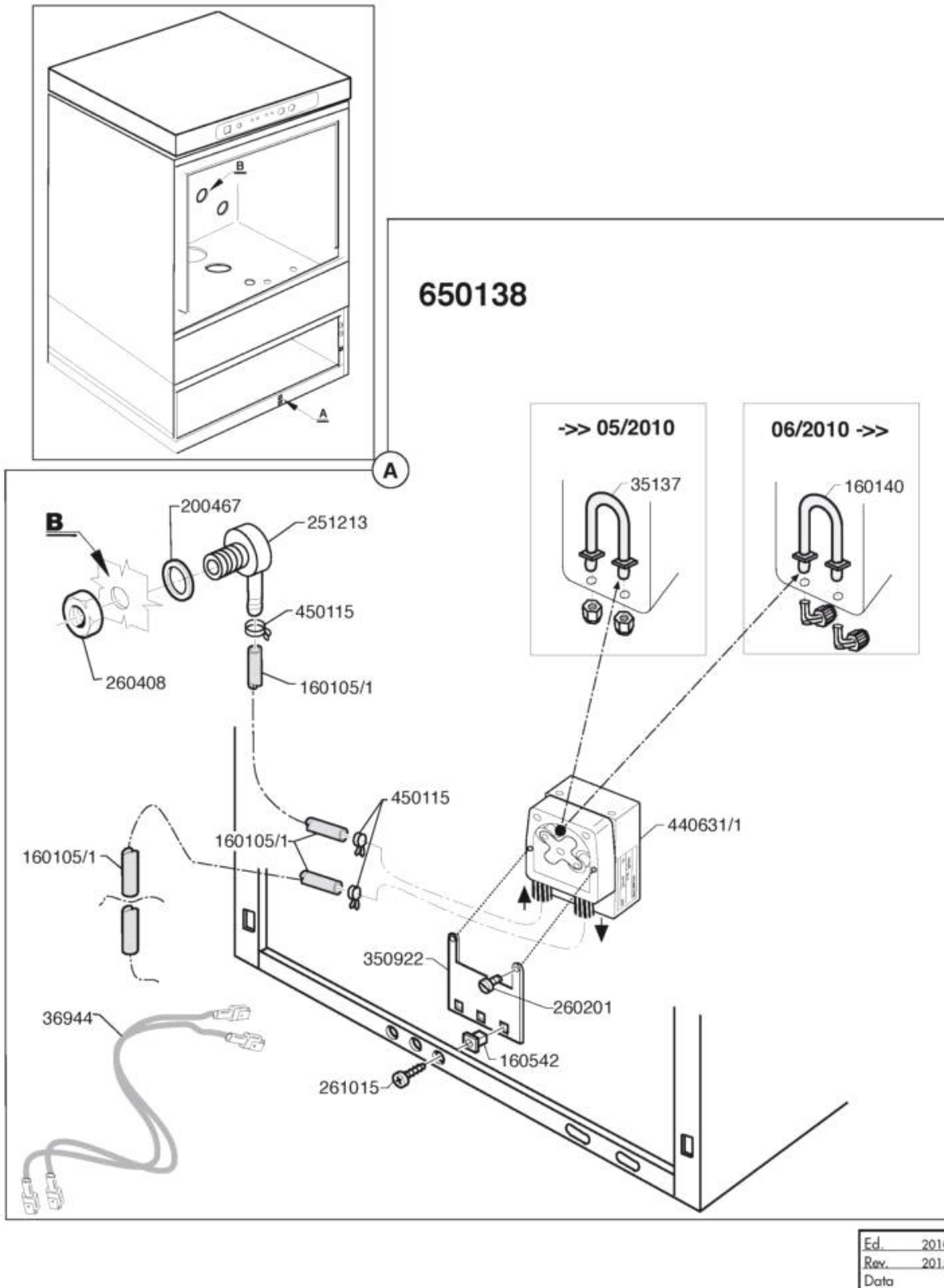
Code	Description	
00540	RED TUBE 8X4 ROLL	
200608	TUBETTO COMPL.DOS.GERMAC G202	
200608/1	TUBETTO COMPL.DOS.GERMAC G300	
251213	PORTAG.A GOMITO INOX POMPA DET	
25269	FLAT GASKET	
25697	SELF-TAPPING SCREW CHEESE D747H.ROS	
25752	TOOTHED SPACER DIAM.4 D.E.	
25773	NUTS 4 MA SS 18/8	
25778	NUTS 12 M 18/8 ss	
28880	NUT SCREW	
30209	HEX.HD. SCREW 4 X 10	
31643	HOSE CLIP 7,3-7,8	
333013	FILTRINO DET-BRILL.PREM.H21679	
36204	SINGLE COUNTERWEIGHT, DETERGENT HOS	
36942	FIX.SQUARE for DETER DISPEN. x H440	
36943	KIT: DETERG.PUMP, C E	
36944	CONN. WIRES, DETERGENT PUMP C E	
440632	DOSATORE DETER.ELETT.G300-230V	



Ed.	04/2010
Rev.	
Data	

Detergent Pump (SEKO) >> 04/10

Code	Description	
00541	TUBETTO ROSSO 4x6 PVC	
200416	GUARNIZ.NEOP.D.3/4" - TUBO CV	
251213	PORTAG.A GOMITO INOX POMPA DET	
25697	SELF-TAPPING SCREW CHEESE D747H.ROS	
25778	NUTS 12 M 18/8 ss	
260201	VITE TCP 3X10 INOX A2 UNI 6107	
28880	NUT SCREW	
31643	HOSE CLIP 7,3-7,8	
34358	DETERGENT PUMP PERISTALSISTIC	
35137	PUMP HOSE DET.SEKO PG3	
36944	CONN. WIRES, DETERGENT PUMP C E	
38186	PIASTRA FISSAGG. PD SEKO 34358	
650138	KIT POMPA DETERSIVO SEKO PBR3	



Detergent Pump (SEKO) ->> 06/10

Code	Description	
160105/1	TUBO FL.CRIST.D.6X4 DOS.ROSSO	
160140	TUBETTO PD SEKO RACCORDO A 90?	
160542	MADREVITE	
200467	GUARN. DUTRAL TRAPPOLA PRESS.	
251213	PORTAG.A GOMITO INOX POMPA DET	
260201	VITE TCP 3X10 INOX A2 UNI 6107	
260408	DADI STAMPATI D12 INOX UNI5588	
261015	VITE AUTOF.T/TCROCE 4,2X13 ZIG	
350922	PIASTRA FISS.PD SEKO 440631/1	
35137	PUMP HOSE DET.SEKO PG3	
36944	CONN. WIRES, DETERGENT PUMP C E	
440631/1	DOS.DET.ELT.SEKO NBR-3 230V	
450115	FASCETTA A DUE FILI D.8,3/7,8	
650138	KIT POMPA DETERSIVO SEKO PBR3	