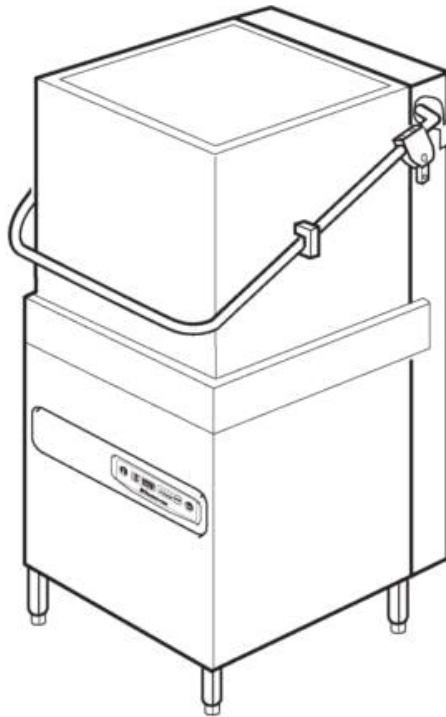


CATALOGO RICAMBI
SPARE PARTS
PIECES DETACHEES
ERSATZTEILE
LISTA DE RECAMBIOS



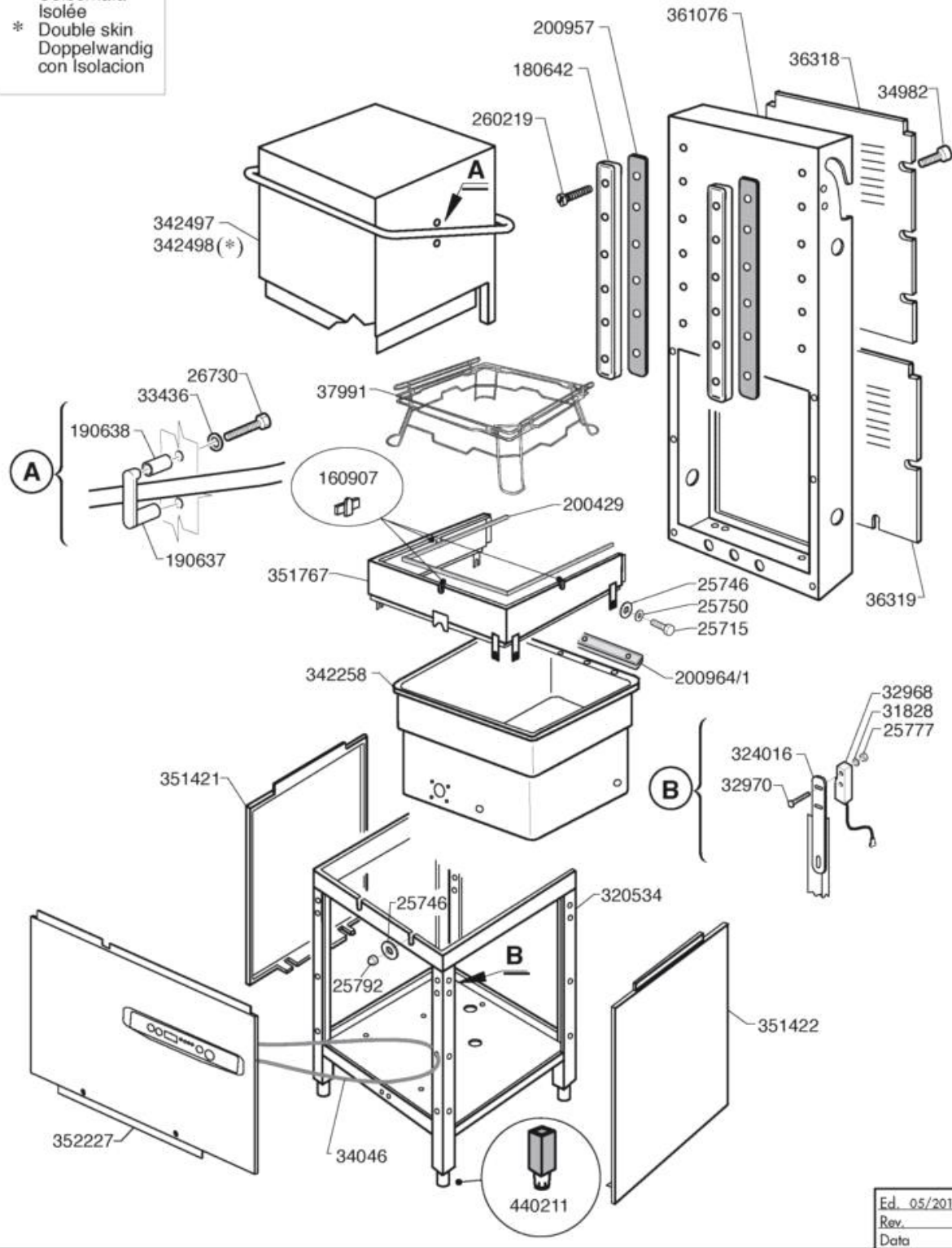
Lavastoviglie a capote
Pass through dishwashers
Lave-vaisselle à capot
Durchschub-Geschirrspül-
maschinen
Lavavajillas a capota

CAP 12 E BT
SO 120 E BT

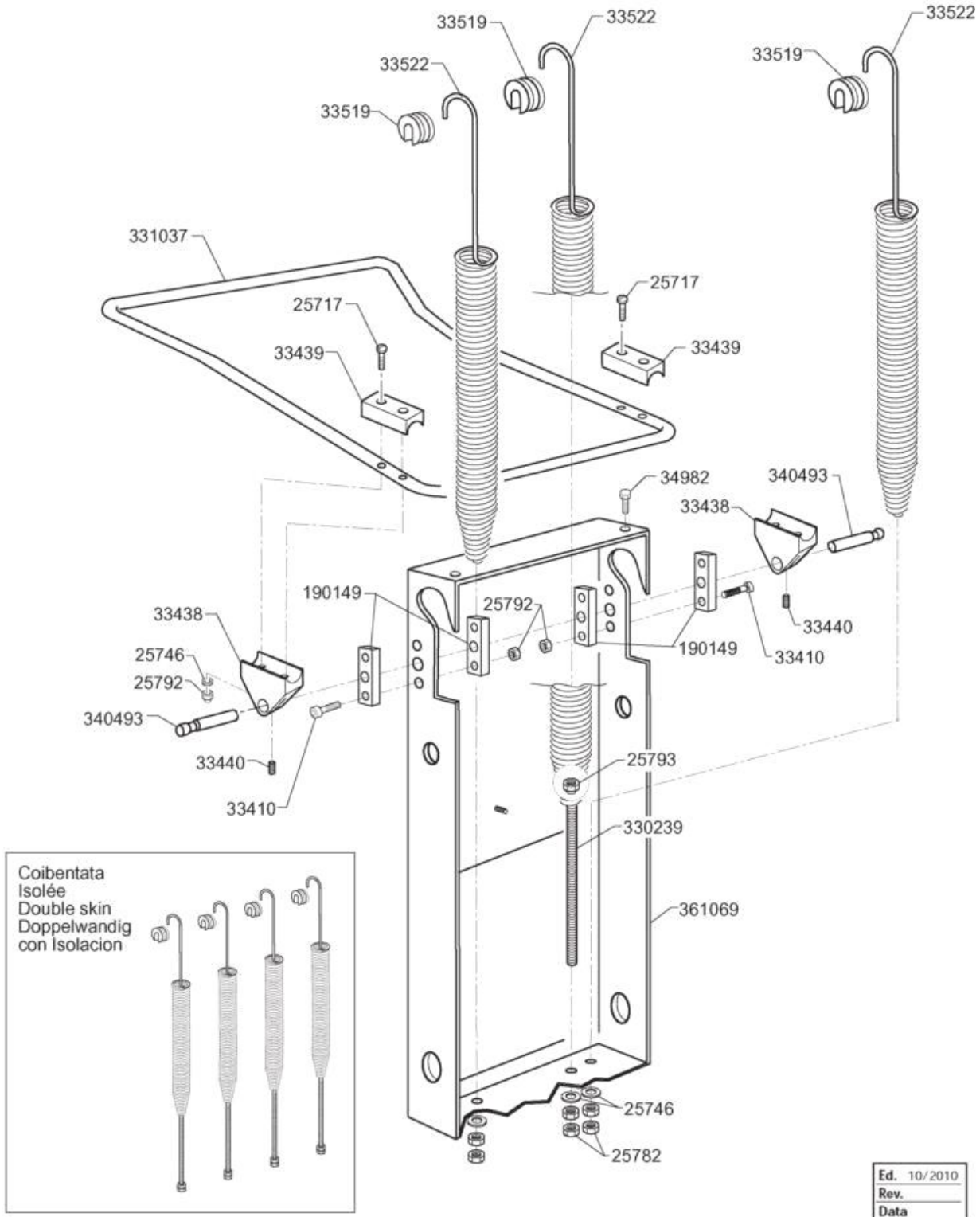
Ed. 2010

- 1 Hood CAP 12 E BT
- 2 Handle CAP 12 E BT
- 3 Tank CAP 12 E BT
- 4 Wasch Assembly CAP 12 E BT
- 5 Wasch Assembly CAP 12 E BT 12/10 >>
- 6 Wash/Rinse Assembly 12/10 >>
- 7 Rinse Assembly CAP 12 E BT
- 8 Wash Arm CAP 12 E BT
- 9 Wash Pump CAP 12 E BT
- 10 Rinse Pump CAP 12 E BT
- 11 Control Box CAP 12 E BT
- 12 Control Box CAP 12 E BT - 04/12
- 13 Rinse Aid Injector CAP 12 E BT
- 14 Detergent Pump CAP 12 E BT
- 15 Drain Pump CAP 12 E BT
- 16 RCC CAP

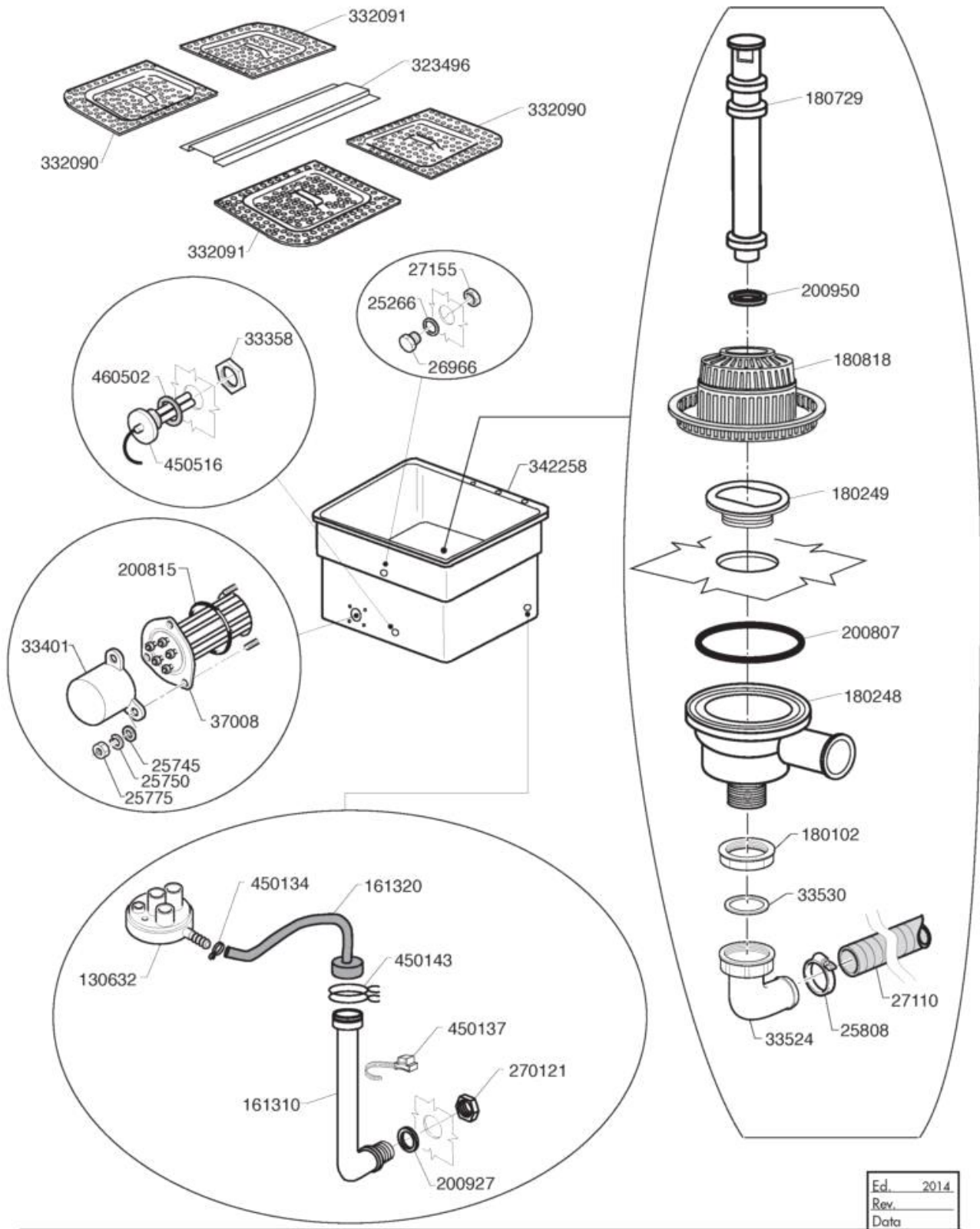
Coibentata
 Isolée
 * Double skin
 Doppelwandig
 con Isolacion



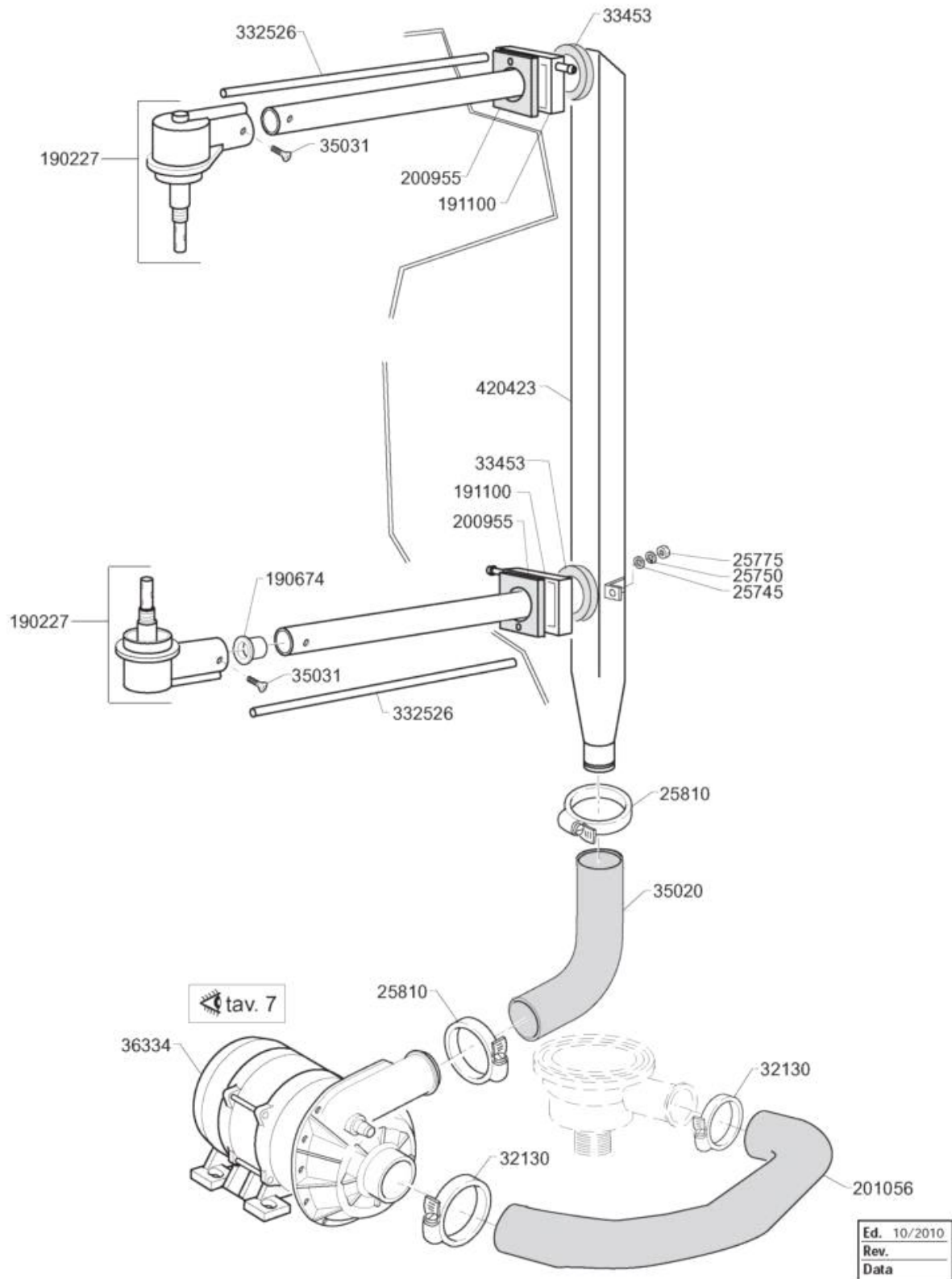
Code	Description	
160907	BLOCCHETTO POS.MENS. C95-C155	
180642	BINARIO PER CAPOT C2001	
190637	CAVALLOTTO ROTOLAMENTO MANIGL.	
190638	RULLO ROTOL.MANIGL.22X31,5	
200429	GOMMA SPUGNA 16x2 AUTOAD.	
200957	GUARNIZIONE PER GUIDE 180642	
200964/1	GUARN.600X14 SP.2 GOMMA EPDM	
25715	SCREW HEX.HD M 6 X 16 SS	
25746	SPACER, FLAT, DIAM.6/18	
25750	SPACER, SPLITTED, DIAM. 6	
25777	NUTS 3 MA	
25792	SELF-LOCKING NUT 6 MA LOWER SIDE	
260219	VITE TCP 6X35 INOX A2 UNI 6107	
26730	SCREW TE M 8 X 20	
31828	DENTED ROUND SPACER, EX ? 3	
320534	PARTE INFERIORE TELAIO Cap	
324016	PIASTRA SUPPORTO MICRO CAP	
32968	MAGNETIC SENSOR	
32970	BEVEL, CROSS-SLOT HD. SCREW TS 3 X	
33436	SPACER WASHER ALGOFLON 18X8,5X1	
34046	NYLON ROIPE, DRAWER LIMIT STOP	
342258	VASCA (PIANA) STAMPATA C 2001	
342497	CAPOT C ANNO 2001	
342498	CAPOT COIB. PER SERIE C 2001	
34982	SCREW M5X12, HALF-ROUND HD. COMBI	
351421	PANNELLO LATERAL.SX C ANNO2001	
351422	PANNELLO LATERAL.DX C ANNO2001	
351767	FASCIA FRONTALE C ANNO 2001	
352227	PANN.ANT.COM.CAP10-12E (2012)	
361076	TELAIO POSTERIORE CPL CAP BT	
36318	UPPER REAR PANEL,CAP 10	
36319	LOWER REAR PANEL, CAP 10	
37991	PORTACES.IN TONDO CAP1012 2008	
440211	PIEDINO x TUBO QUADRO 40x40x1	



Code	Description	
190149	BLOCCHETTO PERNO MANIGL.C	
25717	SCREW PARTIAL FIL. 6X45 SS	
25746	SPACER, FLAT, DIAM.6/18	
25782	NUT 8 MA	
25792	SELF-LOCKING NUT 6 MA LOWER SIDE	
25793	SELF-LOCKING NUT 8 MA LOWER SIDE	
330239	TIRANTE x MOLLE M8 L=285 mm.	
331037	MANIGLIONE CAP-C/LC ANNO 2001	
33410	CHEESE-HD SCREW 6X35 SSA2 UNI 6107	
33438	BUSHING HANDLE C75-C140-C155	
33439	FLANGE X BUSHING HANDLE C70-C155	
33440	SOCKET HD.DOWELS A2 6x8 UNI 5929	
33519	BUSH, SPRING HOLDER "C"-"G"	
33522	SPRING FOR HANDLE "C"-"G"	
340493	PERNO ROTOLAM. C1000/1300 LC	
34982	SCREW M5X12, HALF-ROUND HD. COMBI	
361069	POSTERIORE TELAIO C ANNO 2001	

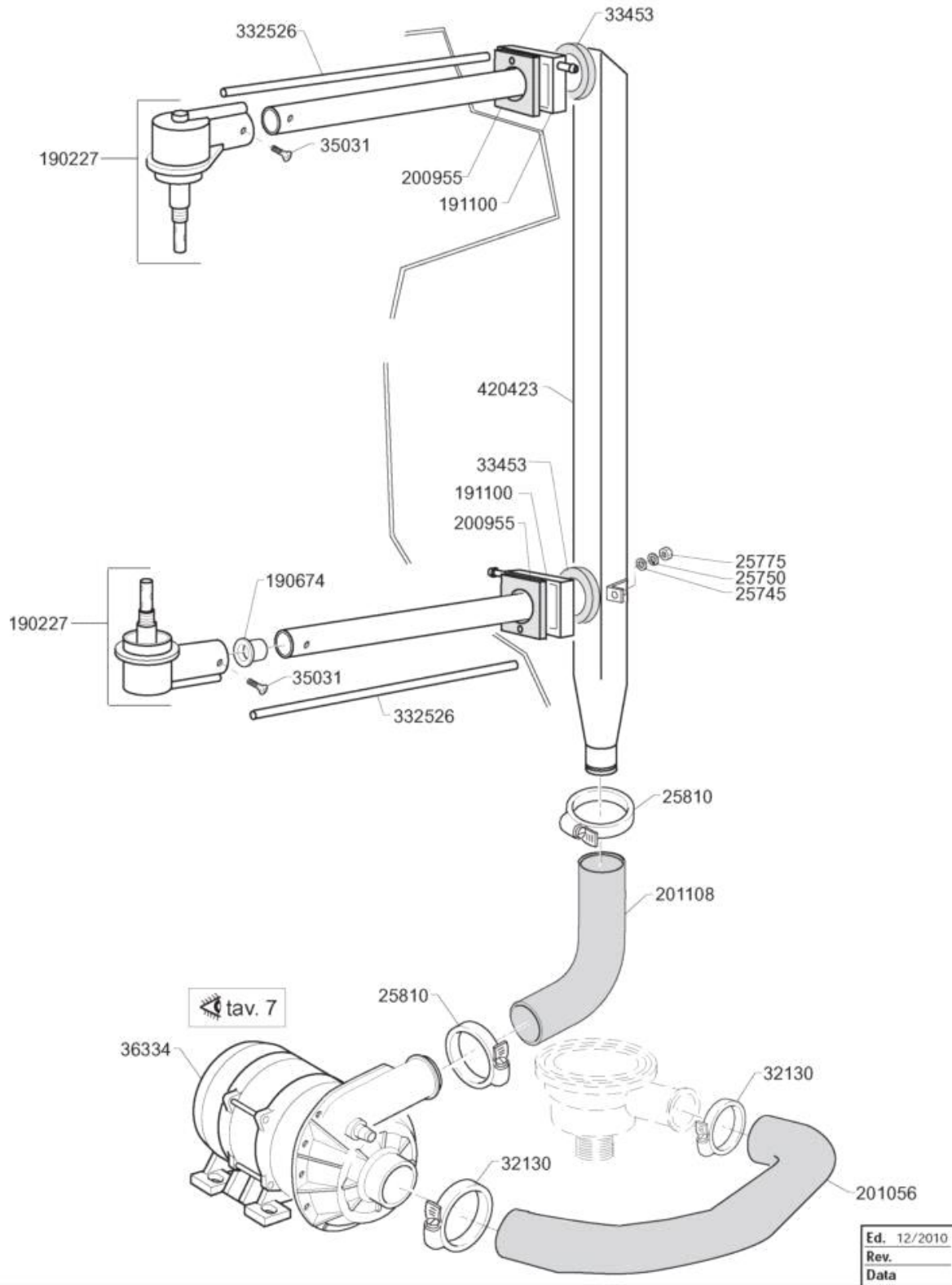


Code	Description	
130632	PRESSOSTATO A 1 LIV. 75/45	
161310	TRAPPOLA ARIA BR BC C 2001	
161320	TUBO x TRAPPOLA ARIA C2001	
180102	GHIERA 1"1/2 PILETTA F-C75	
180248	VASC.ASP.POMPA E SCAR. C 2001	
180249	GHIERA FISS. VASCHETTA C 2001	
180729	TROPPOPIENO C VASCA PIANA 2001	
180818	FILTRO ASPIRAZIONE FC/LC 2001	
200807	GUARNIZIONE OR 110X4 NBR7078	
200815	GUARNIZIONE OR 6x56x68	
200927	GUARNIZ.TRAPP.PRESS.C95-155	
200950	GUARNIZ. A LABBRO VITON DE175	
25266	FLAT GASKET 18 X 10 X 2	
25745	SPACER, FLAT, DIAM.6	
25750	SPACER, SPLITTED, DIAM. 6	
25775	NUT 6 MA	
25808	HOSE CLIP 27-51CLAM	
26966	HOLE CLOSING PLUG	
270121	CONTRODADO INOX 1/2"GAS TRAP.	
27110	DRAIN HOSE DIAM.33X1500	
27155	PLASTIC NUT10 M	
323496	TRAV.SUPP.FILTRI LC ANNO 2001	
332090	FILTRO VASCA DX C 2001	
332091	FILTRO VASCA SX C 2001	
33358	LOCK NUT 1/2" ES.30 SP.7"SS"	
33401	COVER, HEATING ELEMENT H 50 (HIGH)	
33524	ELBOW 1"1/2, DRAIN N-S-F-C	
33530	DRAIN GASKET 1"1/2 45X33X3	
342258	VASCA (PIANA) STAMPATA C 2001	
37008	RESIS. FL57/6,5 4000W.220/380V	
450134	FASCETTA A FILO X TUB. 9,3-8,8	
450137	ATTACCO A COLLARE C/BASE 31900	
450143	FASCETTA A 2 FILI D.39.7x37.7	
450516	GUAINA TERM. 2 TUBI INOX H=109	
460502	GUARNIZ. 30X21X2 KLINGER 1/2"	



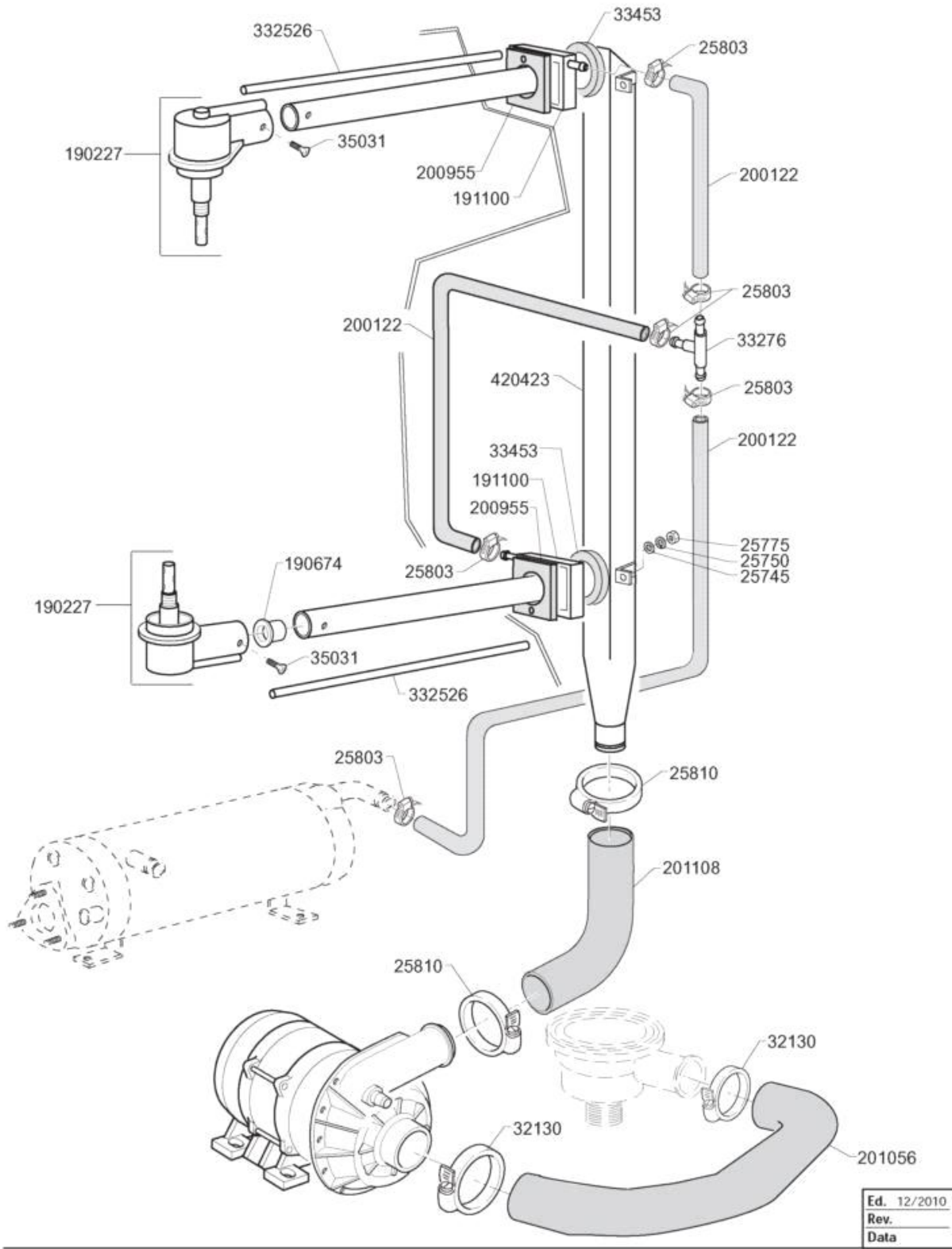
Wasch Assembly CAP 12 E BT

Code	Description	
190227	PIPA SUPP.MULINELLO C/LC 2001	
190674	BUSS.DI RIDUZ.POLIPR.LC900/120	
191100	BLOCCH.COLL.RISCIACQ. C/LC2001	
200955	GUARNIZIONE BLOC. RISC. C 2001	
201056	TUBO ASP.POMPA LAV.CAP10/12/LC	
25745	SPACER, FLAT, DIAM.6	
25750	SPACER, SPLITTED, DIAM. 6	
25775	NUT 6 MA	
25810	HOSE CLIP 55-70	
32130	HOSE CLIP 60-80	
332526	TUBO RISCIACQUO D. 8x0,5	
33453	GASKET 60X54 REAR C140	
35020	DELIVERY SLEEVE, C 81/C 90	
35031	BEVEL, CROSS-SL.HD SCREW M 4 X 12	
36334	ELECTR.HP 2,2Right 230/400V3 50Hz	
420423	RAMPA LAVAGGIO C/LC ANNO2001	



Wasch Assembly CAP 12 E BT 12/10 >>

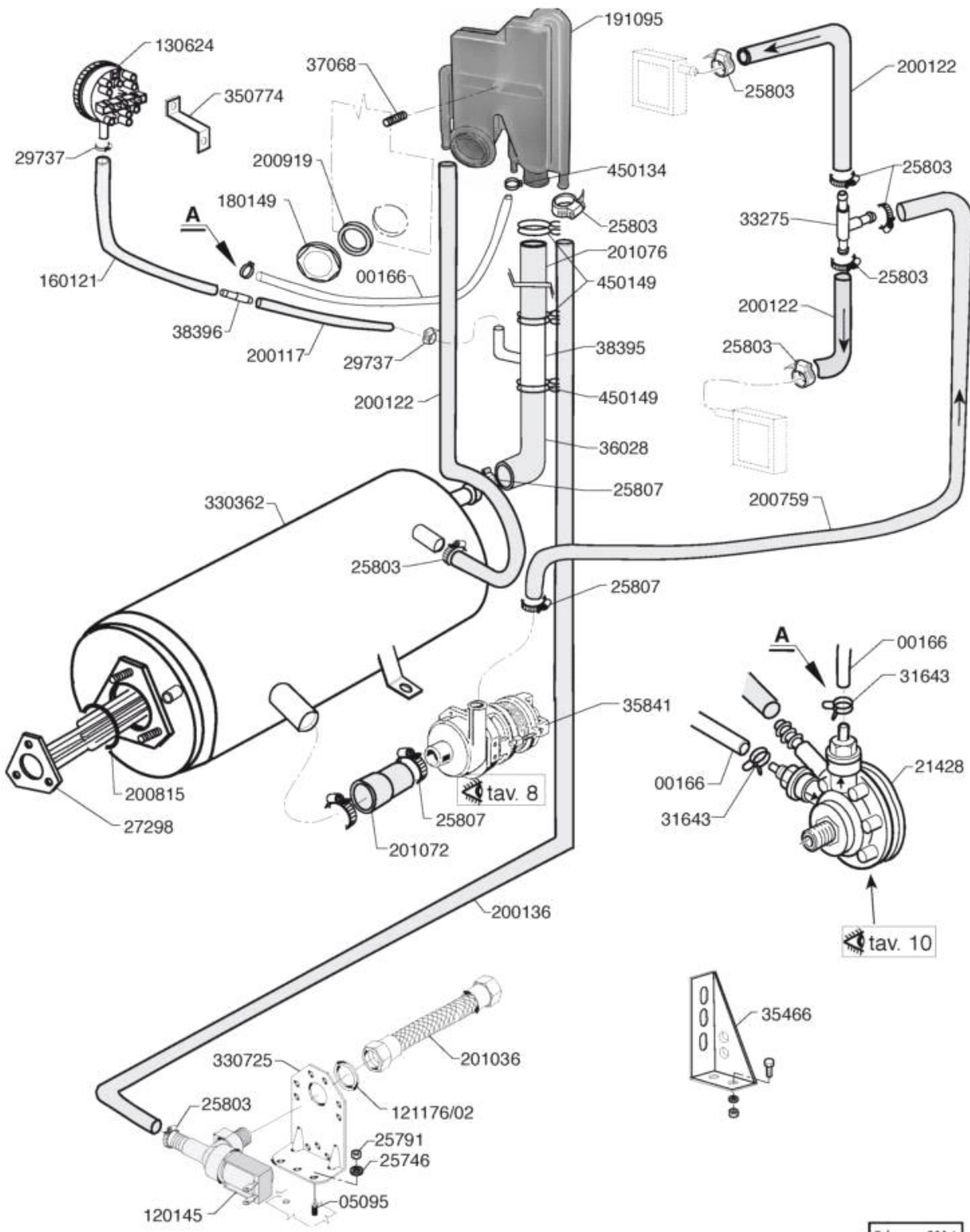
Code	Description	
190227	PIPA SUPP.MULINELLO C/LC 2001	
190674	BUSS.DI RIDUZ.POLIPR.LC900/120	
191100	BLOCCH.COLL.RISCIACQ. C/LC2001	
200955	GUARNIZIONE BLOC. RISC. C 2001	
201056	TUBO ASP.POMPA LAV.CAP10/12/LC	
201108	MANICOTTO MAND.GE755 (HV35020)	
25745	SPACER, FLAT, DIAM.6	
25750	SPACER, SPLITTED, DIAM. 6	
25775	NUT 6 MA	
25810	HOSE CLIP 55-70	
32130	HOSE CLIP 60-80	
332526	TUBO RISCIACQUO D. 8x0,5	
33453	GASKET 60X54 REAR C140	
35031	BEVEL, CROSS-SL.HD SCREW M 4 X 12	
36334	ELECTR.HP 2,2Right 230/400V3 50Hz	
420423	RAMPA LAVAGGIO C/LC ANNO2001	



Wash/Rinse Assembly 12/10 >>

Code	Description	
190227	PIPA SUPP.MULINELLO C/LC 2001	
190674	BUSS.DI RIDUZ.POLIPR.LC900/120	
191100	BLOCCH.COLL.RISCIACQ. C/LC2001	
200122	TUBO GOMMA 11X19 CASER/15 BLU	
200955	GUARNIZIONE BLOC. RISC. C 2001	
201056	TUBO ASP.POMPA LAV.CAP10/12/LC	
201108	MANICOTTO MAND.GE755 (HV35020)	
25745	SPACER, FLAT, DIAM.6	
25750	SPACER, SPLITTED, DIAM. 6	
25775	NUT 6 MA	
25803	HOSE CLIP 13-20 ABA	
25810	HOSE CLIP 55-70	
32130	HOSE CLIP 60-80	
332526	TUBO RISCIACQUO D. 8x0,5	
33276	T-SHAPED CONNECTOR ?11,5-PART180413	
33453	GASKET 60X54 REAR C140	
35031	BEVEL, CROSS-SL.HD SCREW M 4 X 12	
420423	RAMPA LAVAGGIO C/LC ANNO2001	

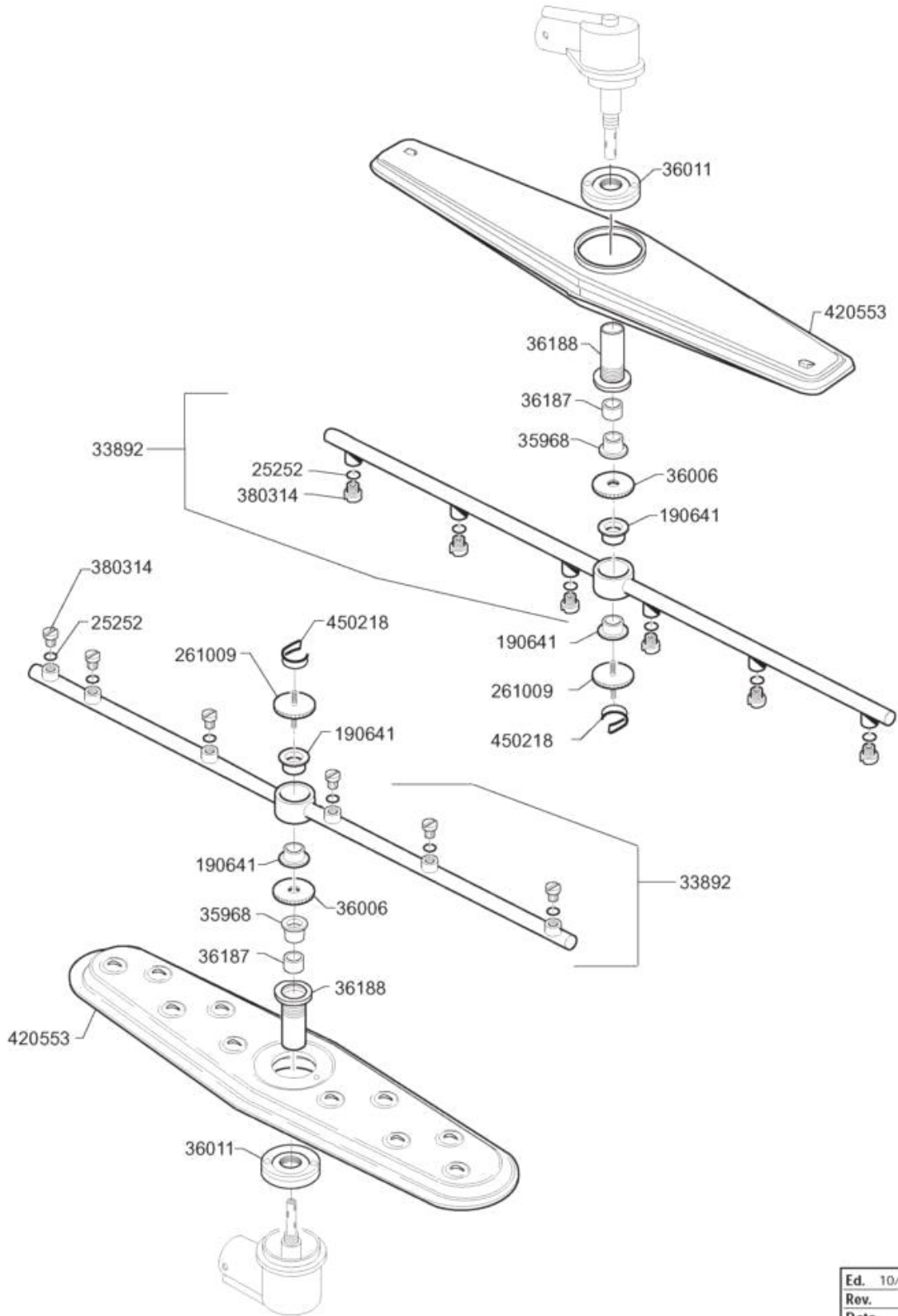
Rinse Assembly CAP 12 E BT



Ed.	2014
Rev.	
Data	

Rinse Assembly CAP 12 E BT

Code	Description	
00166	ROLL TUBE TRANSP. 4X7	
05095	PRIGIONIERO FILETTATO 5X10	
120145	ELETTROV.1 VIA F/FC/B 12 LT/N	
121176/02	REGOLAT.PORTATA 8 l/min.NERO	
130624	PRESSOST.1.LIV.110-70	
160121	TUBO GOMMA NERA 5X9 PRESSOST.	
180149	GHIERA x SERB. AIR GAP	
191095	SERBATOIO BREAK TANK PLAST.	
200117	TUBO GOMMA 8x15 CALORFORM/10	
200122	TUBO GOMMA 11X19 CASER/15 BLU	
200136	TUBO GOMMA 10x18 CERTIF. WRAS	
200759	MANICOTTO MAND.P.RISC.	
200815	GUARNIZIONE OR 6x56x68	
200919	GUARNIZIONE x PILETTA ASP.FC	
201036	TUBO CARICO MT2 WRAS 0810024	
201072	TUBO ASP.POMPA RISC. BT CAP	
201076	TUBO COLLEGAMENTO BT-TEE	
21428	RINSE AID DISPENSER, COMENDA(2-2825	
25746	SPACER, FLAT, DIAM.6/18	
25791	SELF-LOCKING NUT 5 MA LOWER SIDE	
25803	HOSE CLIP 13-20 ABA	
25807	HOSE CLIP 26-38 ABA	
27298	ARMORED RESIST. 10KW/230-400V-11038	
29737	FE-ZN CLAMP 9 - 12	
31643	HOSE CLIP 7,3-7,8	
330362	BOILER BREAK TANK CAP	
330725	SQUADRETTA UNIFICATA	
33275	T-SHAPED CONNECTOR ?13, PART 180403	
350774	SQUADRETTA PRESSOS.SNLC7595155	
35466	PLATE PUMP 60 BT	
35841	PUMP, 0,2 KW ZF131DX 230V-60BT	
36028	RUBBER HOSE, BOILER/T-SHAPE AIR GAP	
37068	PRIGIONIERO FILETTATO 5X25	
38395	TEE AIR GAP INOX	
38396	RACCORDO DRITTO A PORTAGOMMA	
450134	FASCETTA A FILO X TUB. 9,3-8,8	
450149	FASCETTA A 2 FILI D.34.6x36.4	

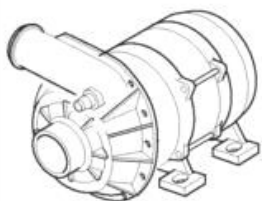


Ed.	10/2010
Rev.	
Data	

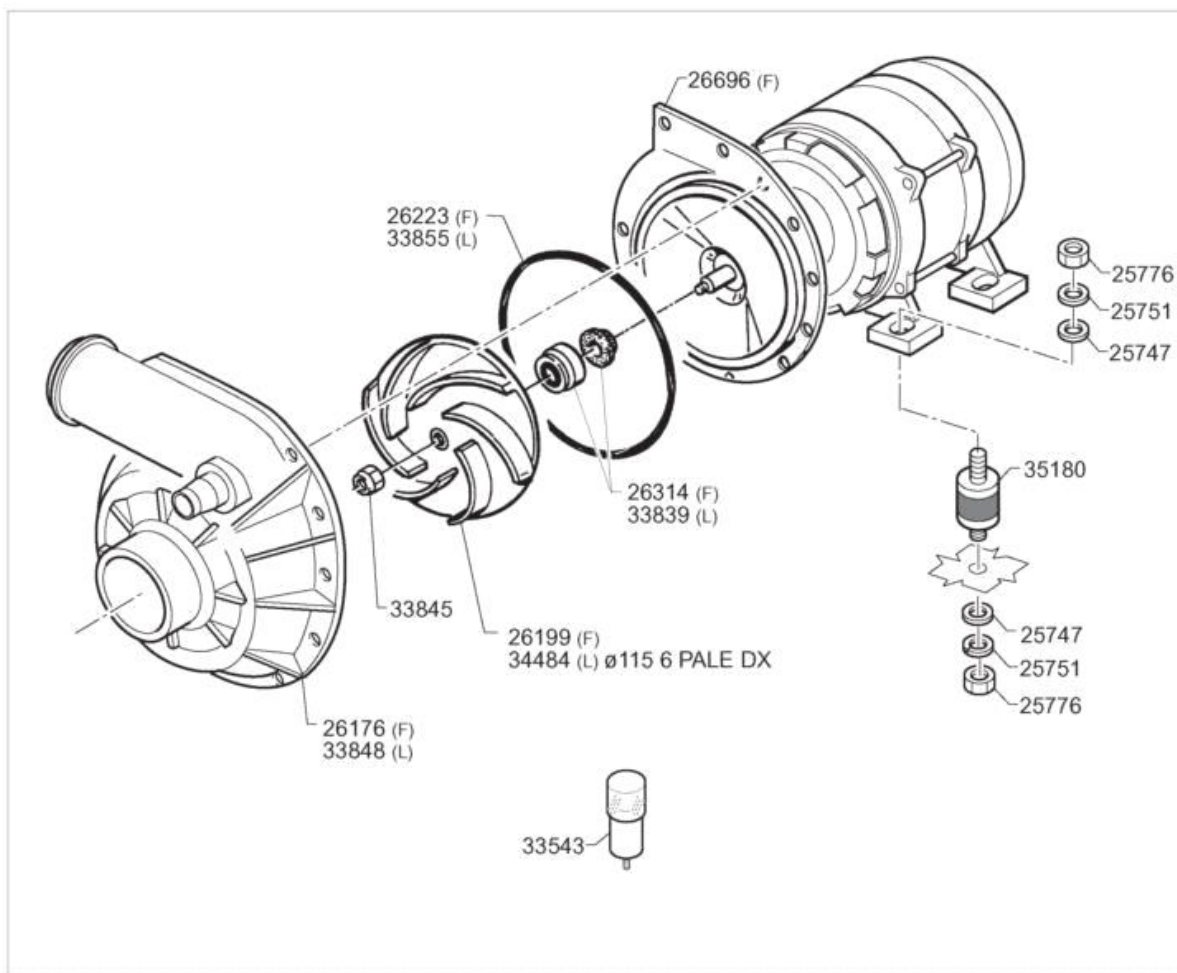
Wash Arm CAP 12 E BT

Code	Description	
190641	BUSSOLA MULIN.RISC."C" V.S.	
25252	GASKET OR 108	
261009	VITE FISS. MULINELLO TUB.ACC.	
33892	RINSE ARM SS COM.	
35968	BUSHING, TYPE H370 2023-21	
36006	S.S.304 BUSHING, REVOLV.WASHARM	
36011	THRDD.BUSH FOR REV.WASHARM BUSH	
36187	BUSH TYPE H370 SM 2023-20	
36188	STAIN.STEEL BUSH F. HOOD WASHARM	
380314	GETTO INOX OV80-1/8"-80 LT	
420553	MUL.LAVAG.INOX"Piatto"LC-CAP"	
450218	MOLLA FISS.VITE MULIN.C95-155	

36334



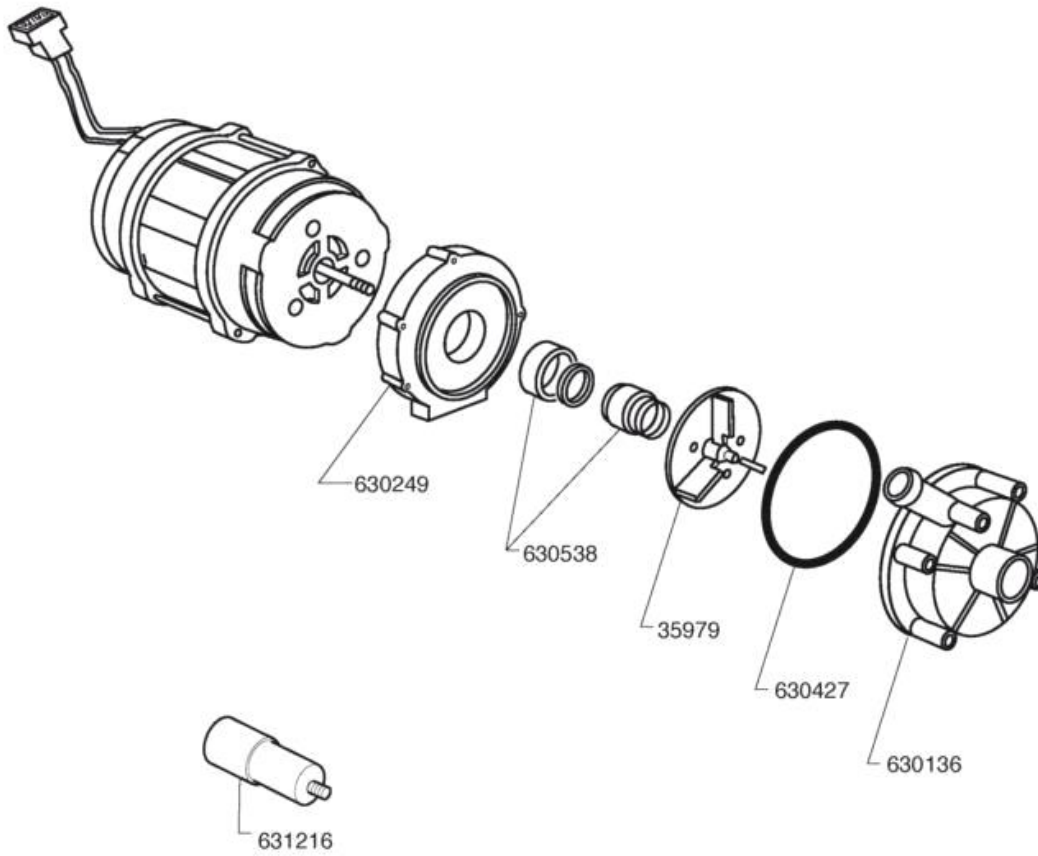
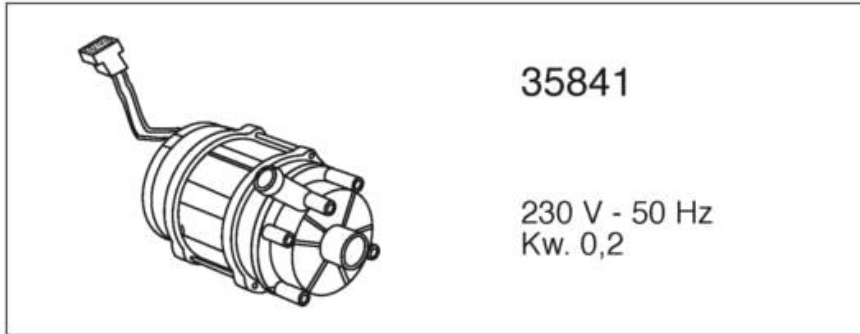
ZF 800 DX
 HP 2,2 - Kw 1,62
 V. 230 - 400/3 50 Hz



Ed.	10/2010
Rev.	
Data	

Wash Pump CAP 12 E BT

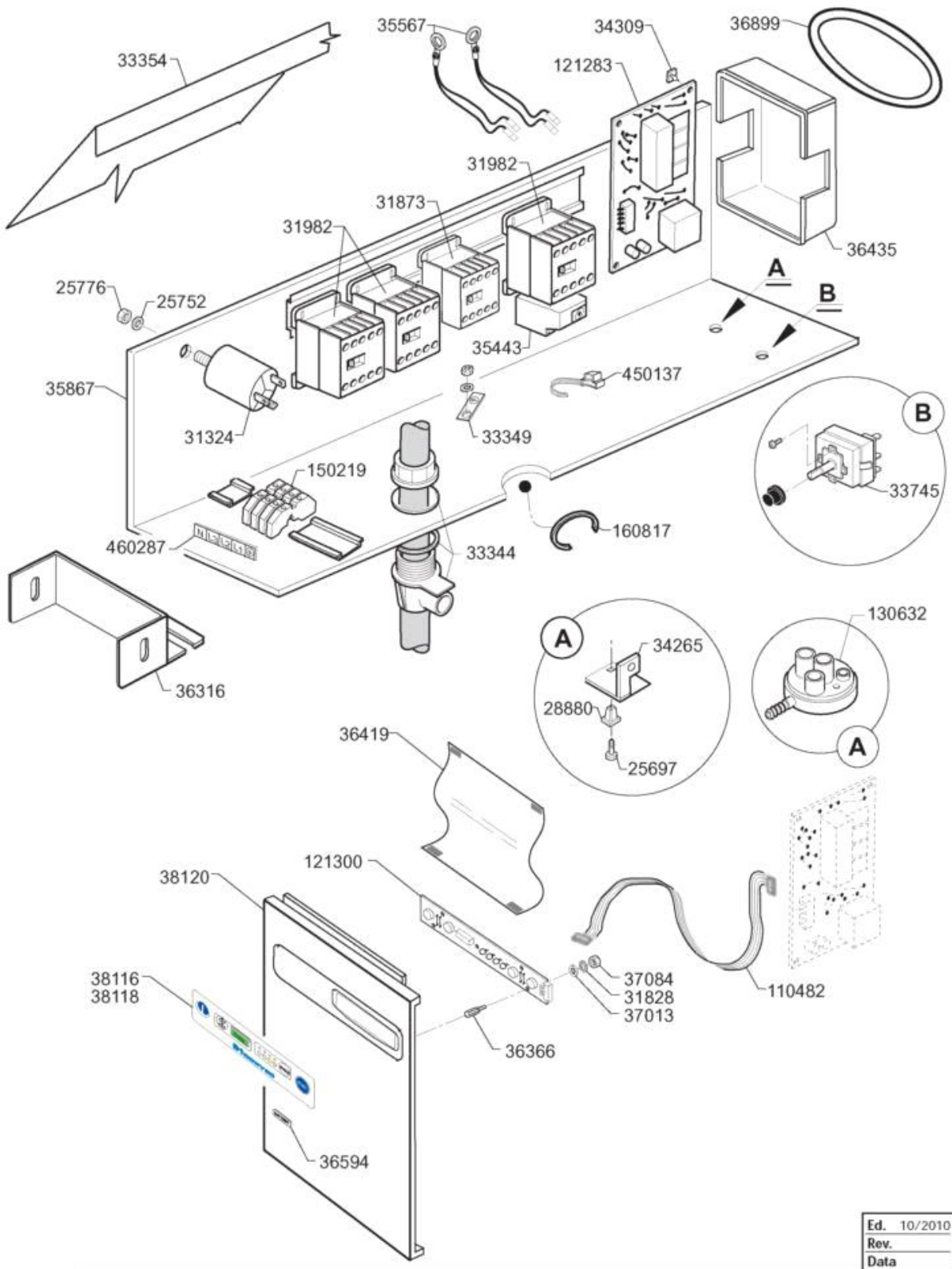
Code	Description	
25747	SPACER, FLAT, DIAM. 8	
25751	SPACER. SPLITTED, DIAM. 8	
25776	NUTS 8 MA SS 18/8	
26176	COVER, WASH PUMP HP 3 RIGHT	
26199	IMPELLER WASH P.HP2 DX OPENED	
26223	GASKET, COVER PUMP	
26314	SHAFT SEAL, WASH PUMP HP 1,5/2	
26696	FLANGE, ELECT.PUMP 3 HP, RIGHT	
33543	CAPACITOR 5 UF-450 V	
33839	MECH. SEAL PR/AR 13 BEFF	
33845	NUT M8, RIGHT H=5 MM	
33848	PUMP HOUS.ZF650 RIGHT A60/M50 HOSE	
33855	GASKET OR. 158.34*3.53	
34484	IMPELLER 120 6-BLADE, RIGHT ZF 800	
35180	VIB.CTRL, 2 PINS 8 MA 30x30	
36334	ELECTR.HP 2,2Right 230/400V3 50Hz	



Ed.	10/2010
Rev.	
Data	

Rinse Pump CAP 12 E BT

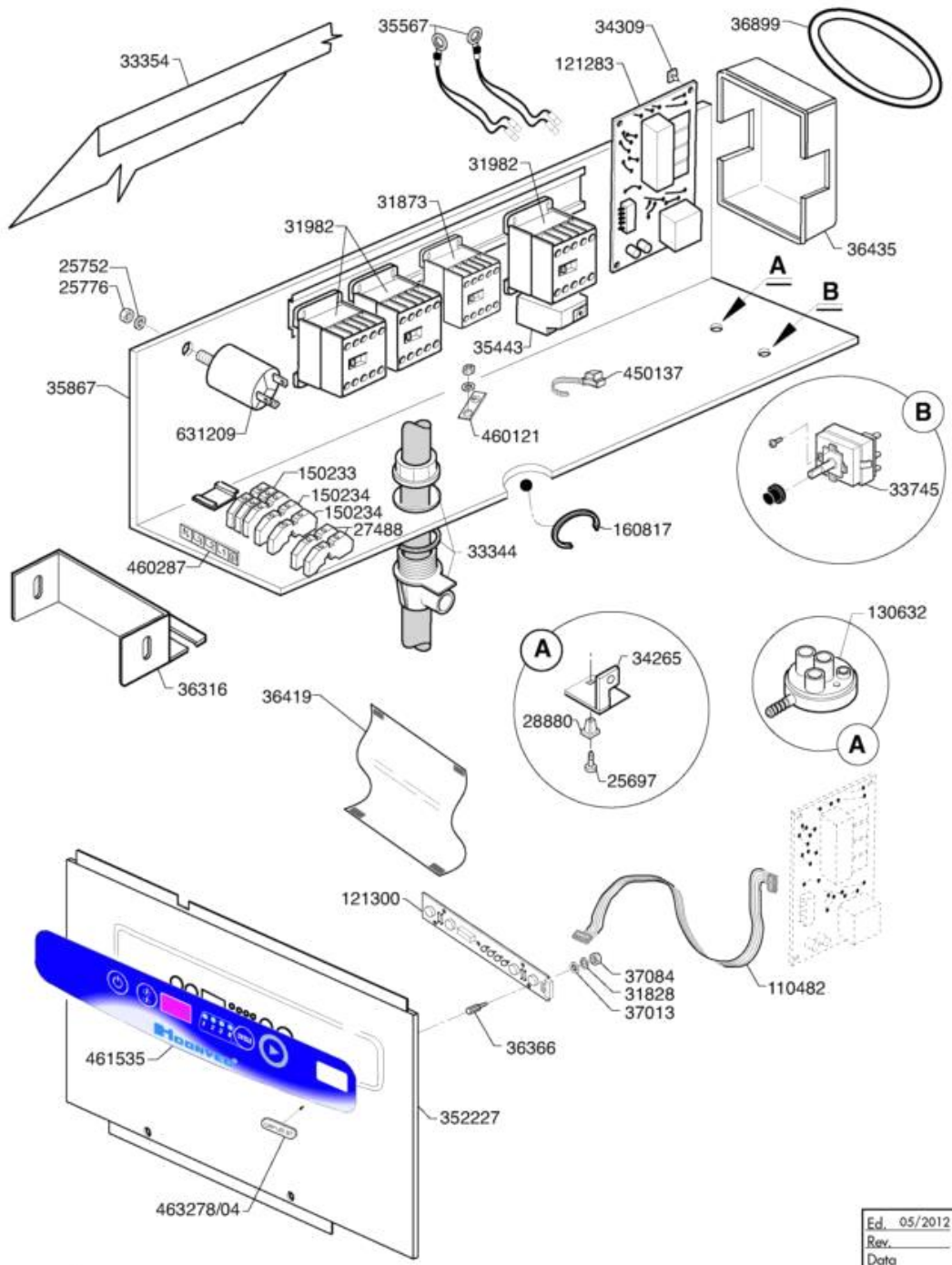
Code	Description	
35841	PUMP, 0,2 KW ZF131DX 230V-60BT	
35979	IMPELLER ZF130 D.73 3P x (35841)	
630427	GUARNIZIONE OR X POMPA ZF131DX	
630538	TENUT.POMP.LGBZF131DX GIR.INOX	
631216	CONDENSATORE 6,3 mF.450V	



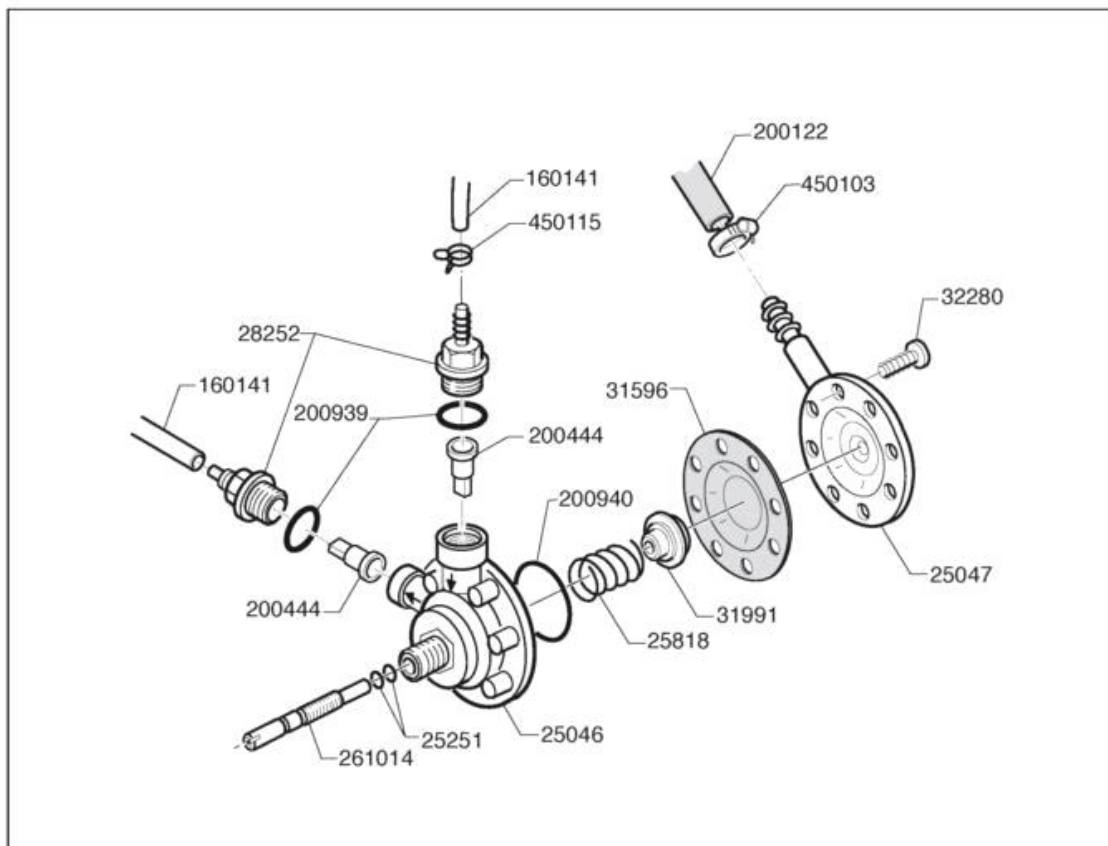
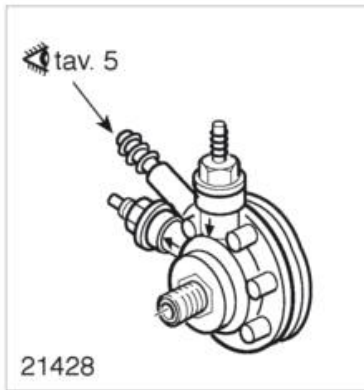
Ed.	10/2010
Rev.	
Data	

Control Box CAP 12 E BT

Code	Description	
110482	CAVO PIATTO x SCHEDA 1200 mm.	
121283	SCHEDA ELET.EDI2 883284	
121300	PULSANTIERA COMANDI HAC ORIZZ.	
130632	PRESSOSTATO A 1 LIV. 75/45	
160817	GUARNIZIONE ASOLA IN POLIET.	
25697	SELF-TAPPING SCREW CHEESE D747H.ROS	
25752	TOOTHED SPACER DIAM.4 D.E.	
25776	NUTS 8 MA SS 18/8	
28880	NUT SCREW	
31324	NOISE FILTER, TYPE 5001	
31828	DENTED ROUND SPACER, EX ? 3	
31873	REMOTE SWITCH 220-240V- B6-30-10	
31982	CONTACTOR CN9 - 220V 50 HZ	
33344	CABLE CLIP 5030 STEAB	
33349	INDICAT.PLATE, EARTHING	
33354	ELECTRIC PLANT PROTECT.C140-70	
33745	LIMITER 110? MANUAL RESET	
34265	TANK PRESS.SWITCH BRACKET	
34309	FEET PCBHOLDER	
35443	THERMAL RELAY ABB TA 25 DU 4,0	
35567	PROBE TEMP. NTC 3.3K YELLOW	
35867	SUPPORT, ELECTRIC PLANT, C 98	
36316	FIX. SQUARE FOR CAP ELECTRIC SYSTEM	
36366	SPACER FOR KEYBOARD CUTOFF SNAP H10	
36419	KEYBOARD PROTECTION	
36435	PROTECTION CAP FOR ELECTR. CARD. CA	
36594	TARGHETTA RES.ADES. CAP 12E BT	
36899	RUBBER BAND d. 65/100x11mm	
37013	RONDELLA PIANA M3 003030500001	
37084	DADO NYLON M3	
38116	TARGA COMANDI CAP 12 '09	
38118	TARGA COMANDI SO 120 '09	
38120	PANNELLO ANT.COM.CAP 10-12 '09	
450137	ATTACCO A COLLARE C/BASE 31900	
460287	TARGHETTA X MORSETT.MONOFASE	



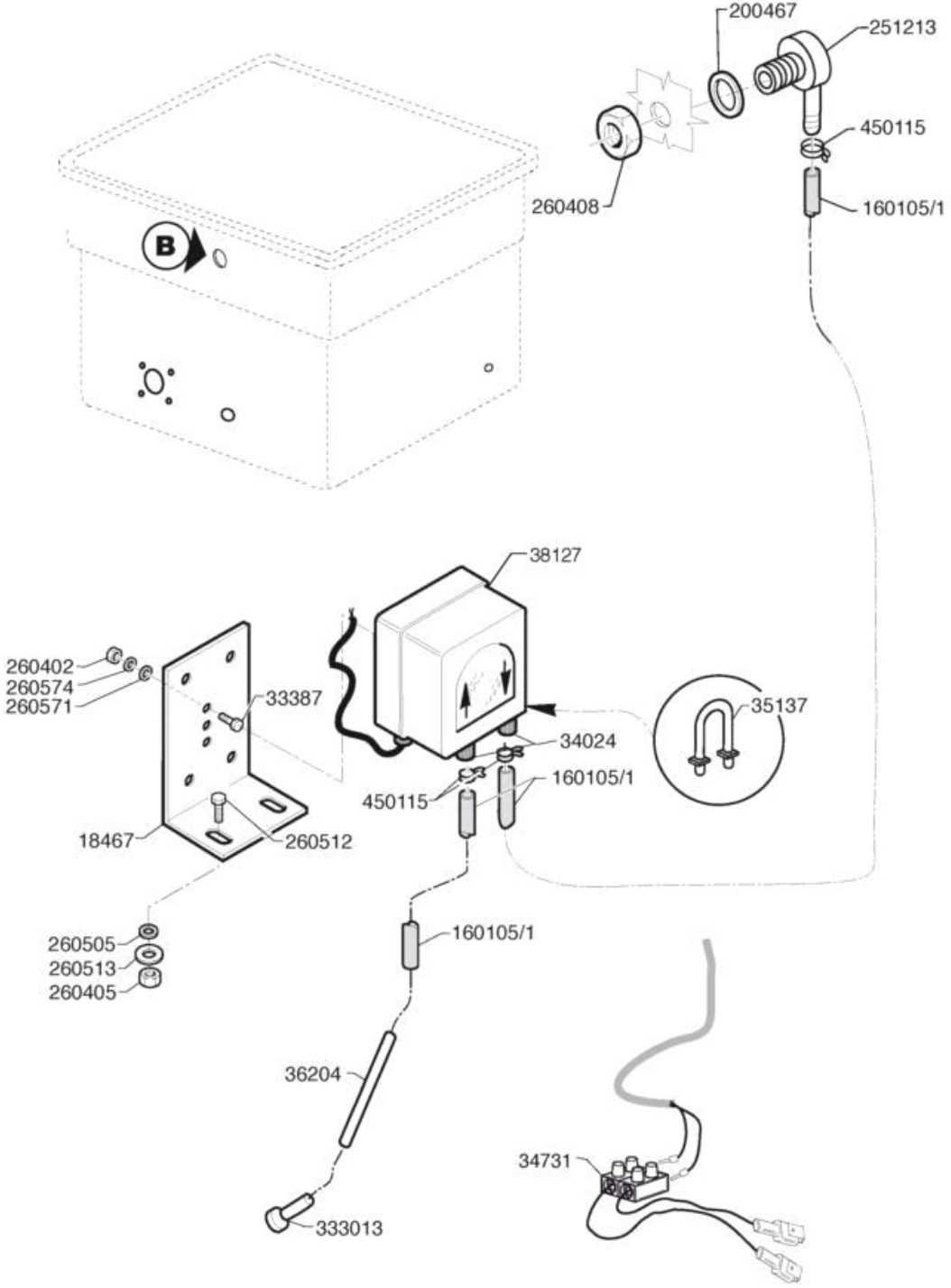
Code	Description	
110482	CAVO PIATTO x SCHEDA 1200 mm.	
121283	SCHEDA ELET.EDI2 883284	
121300	PULSANTIERA COMANDI HAC ORIZZ.	
130632	PRESSOSTATO A 1 LIV. 75/45	
150233	MORS.TRIP.16MMQ 8WA1304	
150234	MORS.UNIP.16MMQ 8WA1204	
160817	GUARNIZIONE ASOLA IN POLIET.	
25697	SELF-TAPPING SCREW CHEESE D747H.ROS	
25752	TOOTHED SPACER DIAM.4 D.E.	
25776	NUTS 8 MA SS 18/8	
27488	MORSETTO 2,5 MMQ CBC.2	
28880	NUT SCREW	
31828	DENTED ROUND SPACER, EX ? 3	
31873	REMOTE SWITCH 220-240V- B6-30-10	
31982	CONTACTOR CN9 - 220V 50 HZ	
33344	CABLE CLIP 5030 STEAB	
33354	ELECTRIC PLANT PROTECT.C140-70	
33745	LIMITER 110? MANUAL RESET	
34265	TANK PRESS.SWITCH BRACKET	
34309	FEET PCBHOLDER	
352227	PANN.ANT.COM.CAP10-12E (2012)	
35443	THERMAL RELAY ABB TA 25 DU 4,0	
35567	PROBE TEMP. NTC 3.3K YELLOW	
35867	SUPPORT, ELECTRIC PLANT, C 98	
36316	FIX. SQUARE FOR CAP ELECTRIC SYSTEM	
36366	SPACER FOR KEYBOARD CUTOFF SNAP H10	
36419	KEYBOARD PROTECTION	
36435	PROTECTION CAP FOR ELECTR. CARD. CA	
36899	RUBBER BAND d. 65/100x11mm	
37013	RONDELLA PIANA M3 003030500001	
37084	DADO NYLON M3	
450137	ATTACCO A COLLARE C/BASE 31900	
460121	TARGH.DI MESSA A TERRA=33349	
460287	TARGHETTA X MORSETT.MONOFASE	
461535	TARGA COM. CAP10-12E (2012)	
463278/04	TARGHETTA RES.ADES.CAP12EBT'12	
631209	FILTRO ANTIDISTURBO TIPO 5001	



Ed. 10/2010
Rev.
Data

Rinse Aid Injector CAP 12 E BT

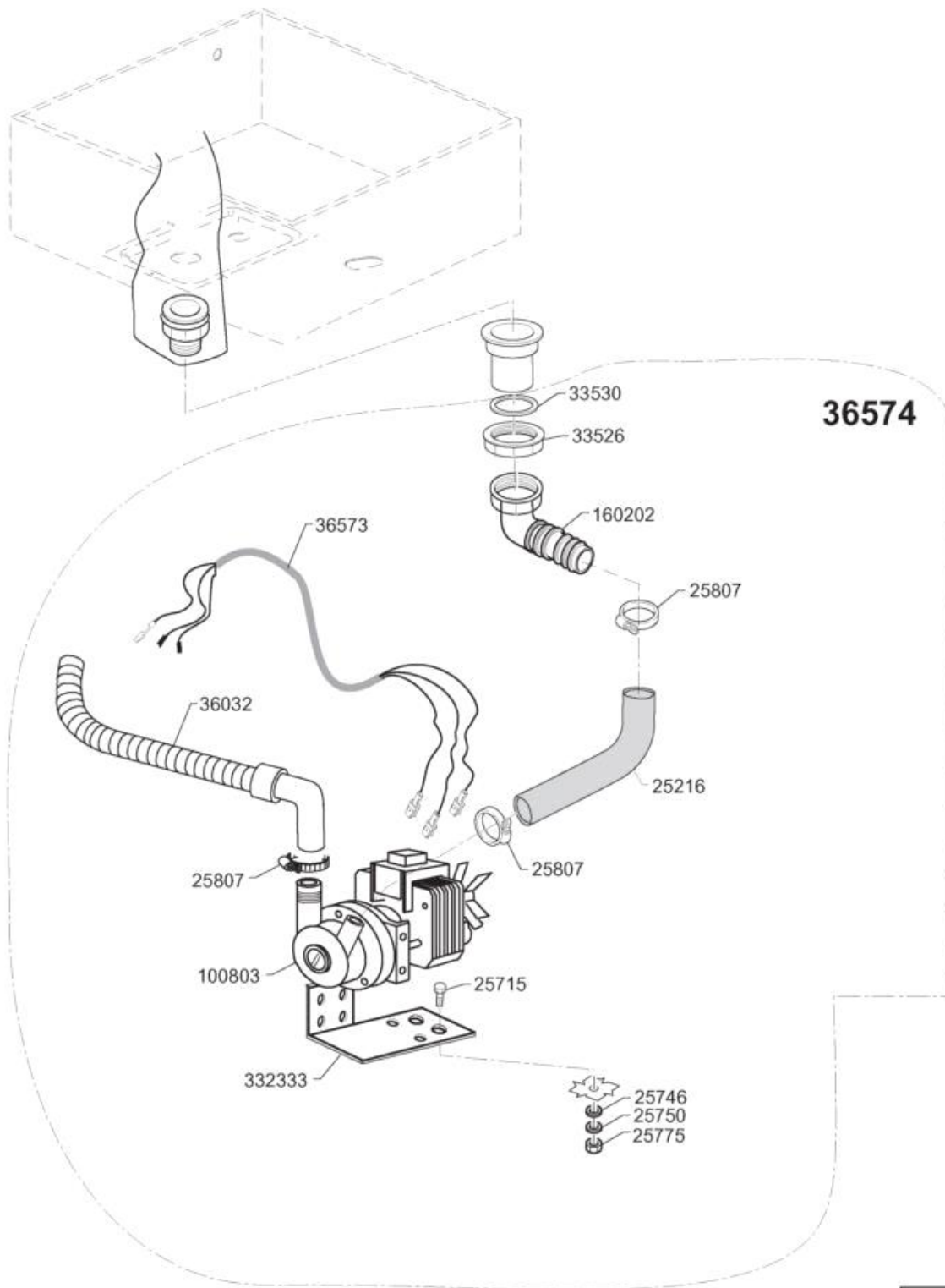
Code	Description	
160141	TUBETTO TRASP. BLU 4X7 ROTOLO	
200122	TUBO GOMMA 11X19 CASER/15 BLU	
200444	VALVOLA ASP.DOSATORE SILICONE	
200939	OR RACC.MAND/ASP.DOS.	
21428	RINSE AID DISPENSER, COMENDA(2-2825	
25046	UPPER DISPENSER ASSEMBLY	
25047	LOWER DISPENSER ASSEMBLY	
25251	GASKET OR 2012	
25818	CYLINDER SPRING (WIRE)	
261014	VITE REGOLAZIONE DOS.BRILL.HVD	
28252	FITTING SUCTION DISPENSER	
31596	DIAPHRAGM, DISPENSER	
31991	SPRING GUIDE FOR DISPENSER	
32280	OVAL HD. CROSS-SL. SCREW 4 X 13	
450103	FASCETTA FE ZN.13-20 H=9	
450115	FASCETTA A DUE FILI D.8,3/7,8	



Ed.	2010
Rev.	2015
Data	

Detergent Pump CAP 12 E BT

Code	Description	
160105/1	TUBO FL.CRIST.D.6X4 DOS.ROSSO	
18467	HOLDING SUPP. PUMP DISPENS.	
200467	GUARN. DUTRAL TRAPPOLA PRESS.	
251213	PORTAG.A GOMITO INOX POMPA DET	
260402	DADI STAMP. D4 INOX UNI 5588	
260405	DADO STAMP.M8X5 INOX UNI 5589	
260408	DADI STAMPATI D12 INOX UNI5588	
260505	RONDEL.PIANE D8 INOX UNI 6592	
260512	RONDEL.GROWER D6 INOX UNI 1751	
260513	RONDEL.GROW.D8 INOX UNI 1751	
260571	ROND.PIAN.TRIPLE 5,5x15X1 INOX	
260574	RONDELLA DENTEL.DIAM.4 D.E.	
333013	FILTRINO DET-BRILL.PREM.H21679	
33387	HEX.HD SCREW 4X16 SS A2 UNI 5739	
34024	PIPE UNION 4X6 X LIQ/FLU VS5562	
34731	ELECT.CONN. TERMINAL FOR AUTO.C.	
35137	PUMP HOSE DET.SEKO PG3	
36204	SINGLE COUNTERWEIGHT, DETERGENT HOS	
38127	POMPA PERISTALTICA SEKO PR 7	
450115	FASCETTA A DUE FILI D.8,3/7,8	

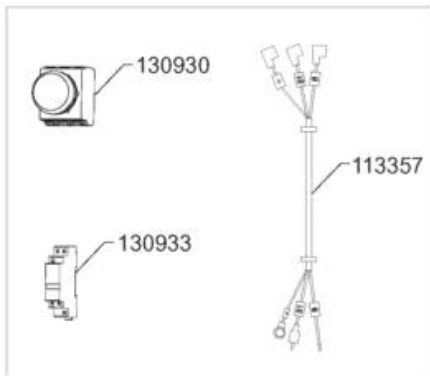
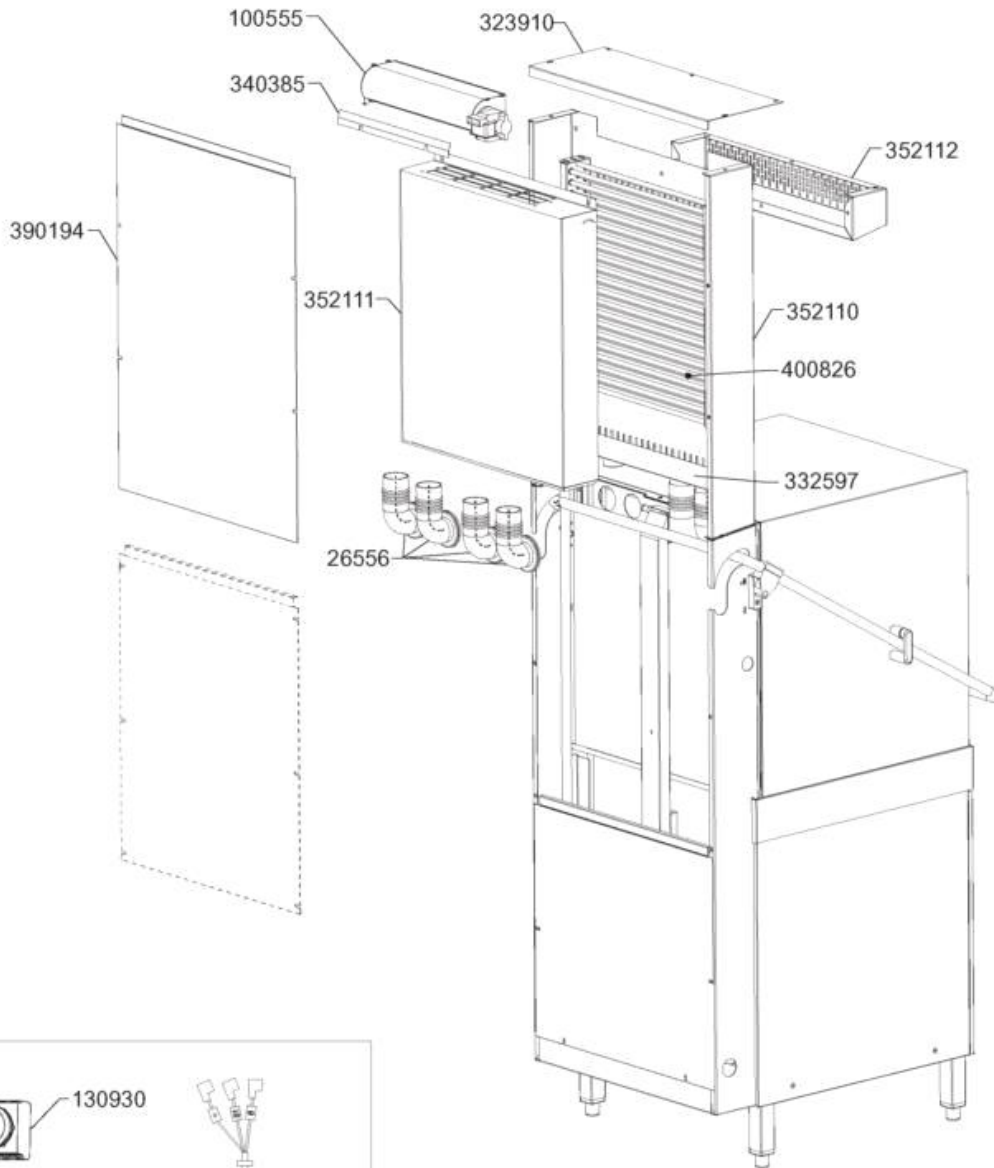


Ed.	10/2010
Rev.	
Data	

Drain Pump CAP 12 E BT

Code	Description	
100803	POMPA SC.100W 230V/50 C/FILTRO	
160202	COD.CURVO 2 PRESE PIL.107868	
25216	DRAIN SLEEVE 50-52-T4(T5)	
25715	SCREW HEX.HD M 6 X 16 SS	
25746	SPACER, FLAT, DIAM.6/18	
25750	SPACER, SPLITTED, DIAM. 6	
25775	NUT 6 MA	
25807	HOSE CLIP 26-38 ABA	
332333	SQUADRETTA POMPA SCARICO CAP	
33526	NUT 1"1/2, ELBOW F45-C75	
33530	DRAIN GASKET 1"1/2 45X33X3	
36032	DRAIN PIPE, DIA. 18,5X2500	
36573	CABLE LOOM for DRAIN PUMP CAP10-12	
36574	Drain pump kit Cap10-12/so100-120	

621390/H



Ed.	10/2010
Rev.	
Data	

Code	Description	
100555	VENTIL.TANG.TGA60/1 360-30	
113357	CABLAGG.PER KIT CRC	
130930	CONT.ABB TEMP.DIS.1NO/1NC 180"	
130933	CONTATTO SUPP.LAT.1NO/1NC ABB\$	
26556	BREATHER SLEEVE, K 80 ZEROWATT	
340385	PARATIA VENT."POST" CRC C2001	
400826	BATTERIA CRC mod. SBT8 50/75	
621390/H	RC RETROFIT VERSIONE HOONVED	