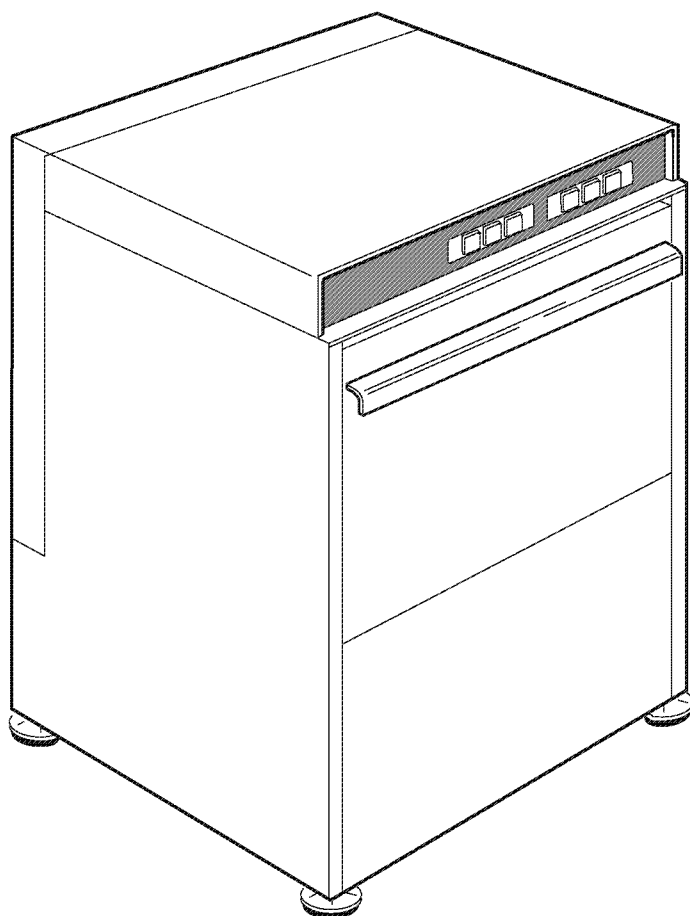


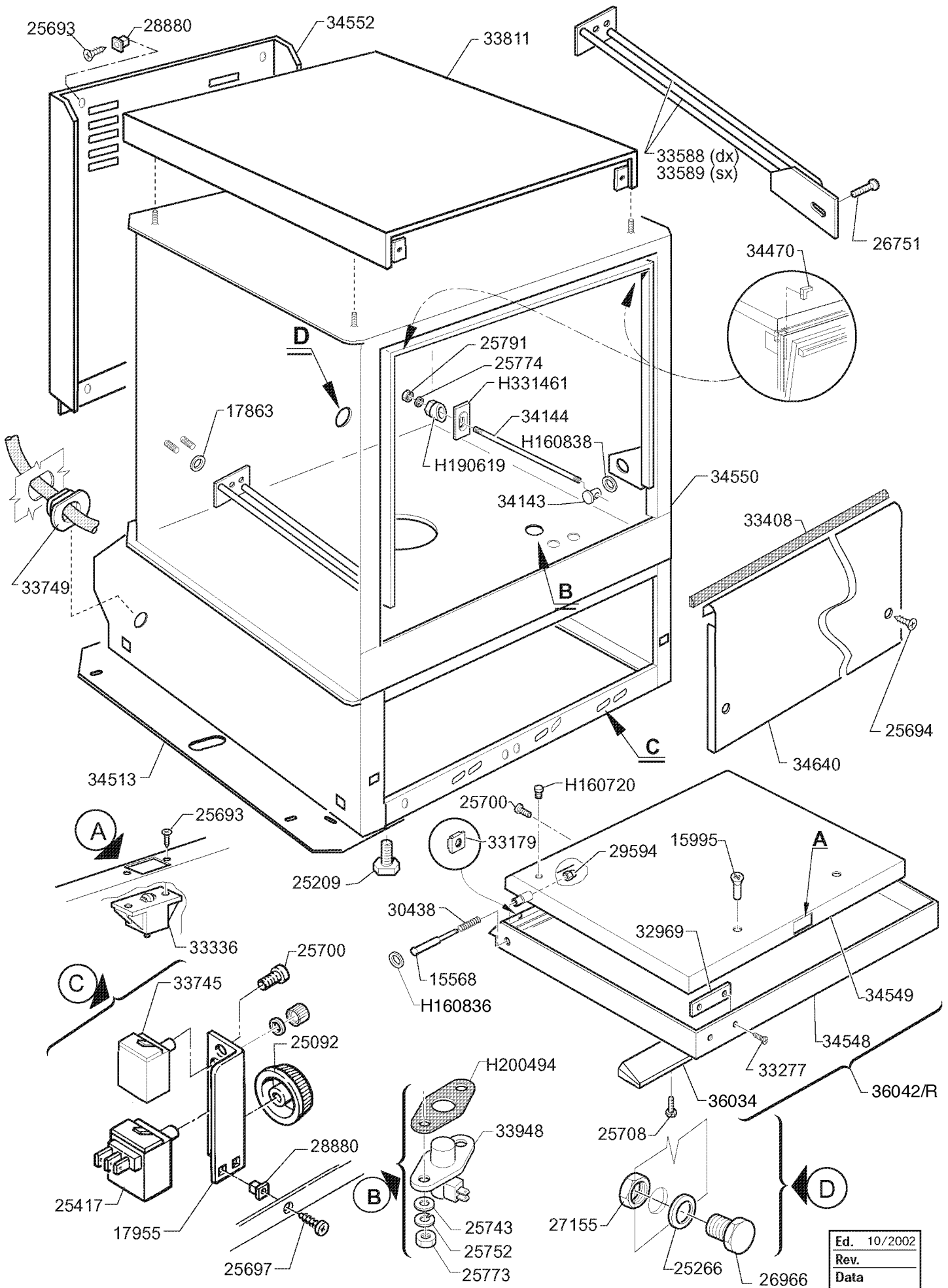
**SPARE PARTS
PIECES DETACHEES**

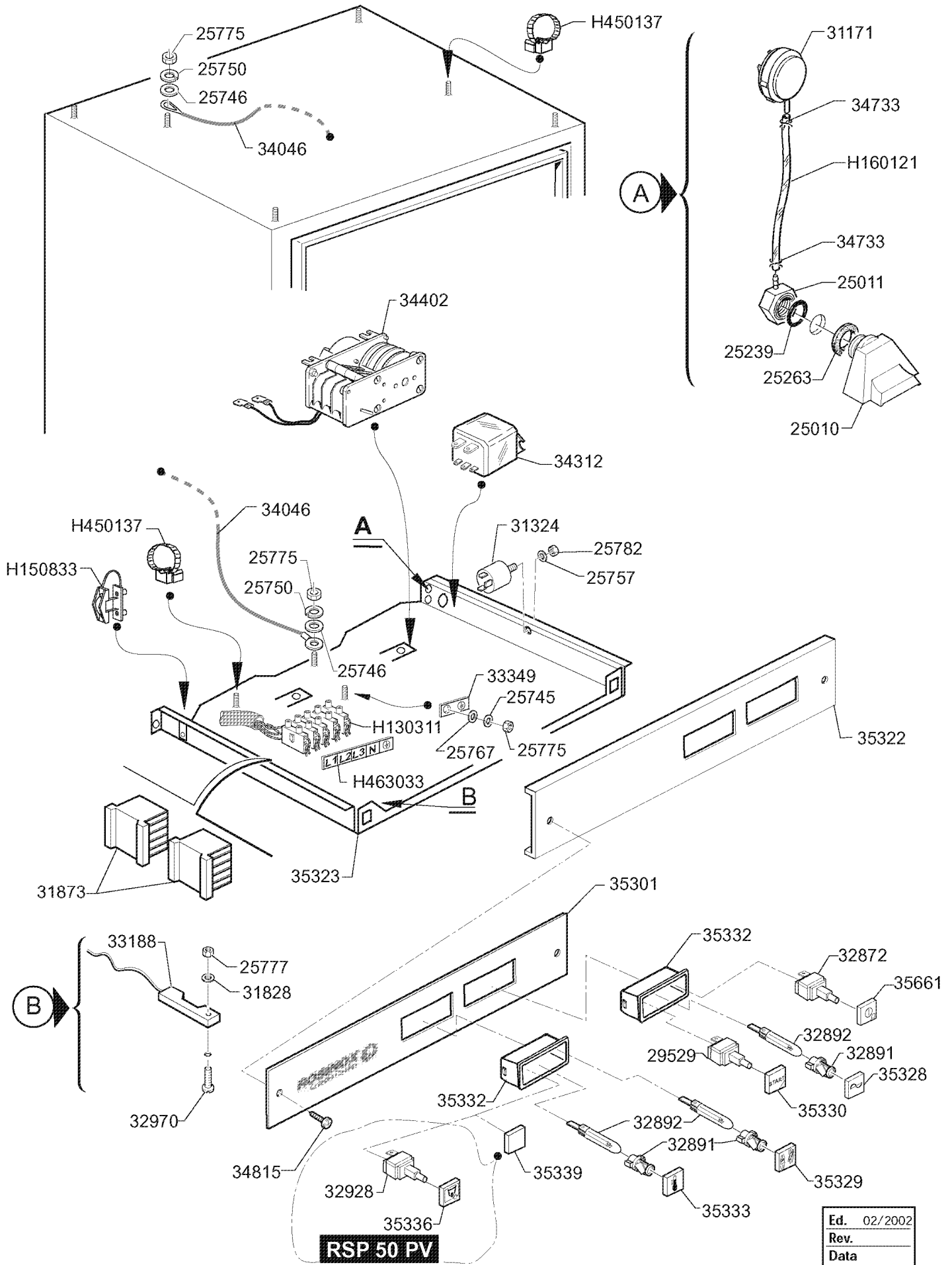


**Dishwashers
Lavevaisselle**

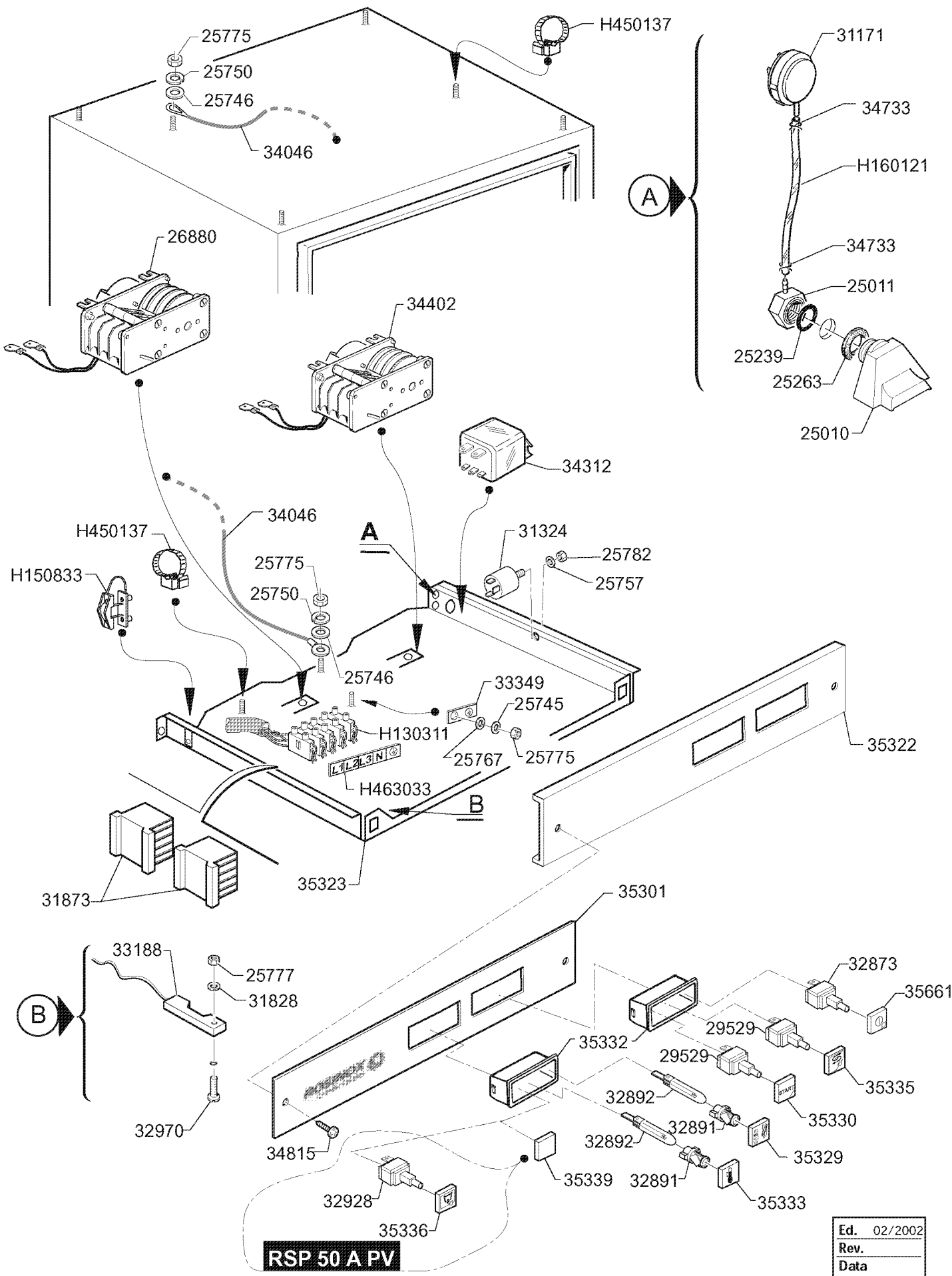
**RSP 50
RSP 50 A**

Ed. 02/2002



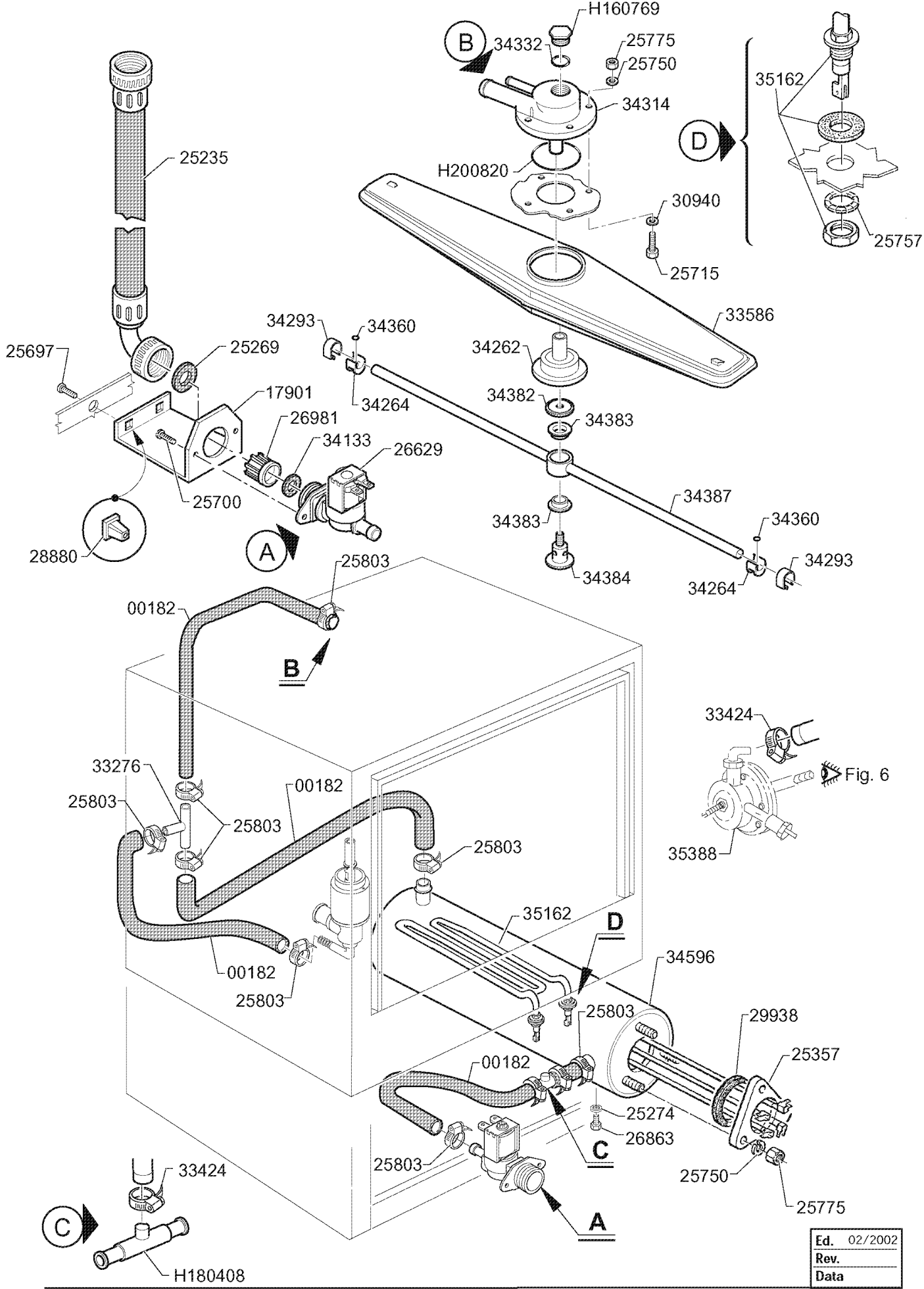


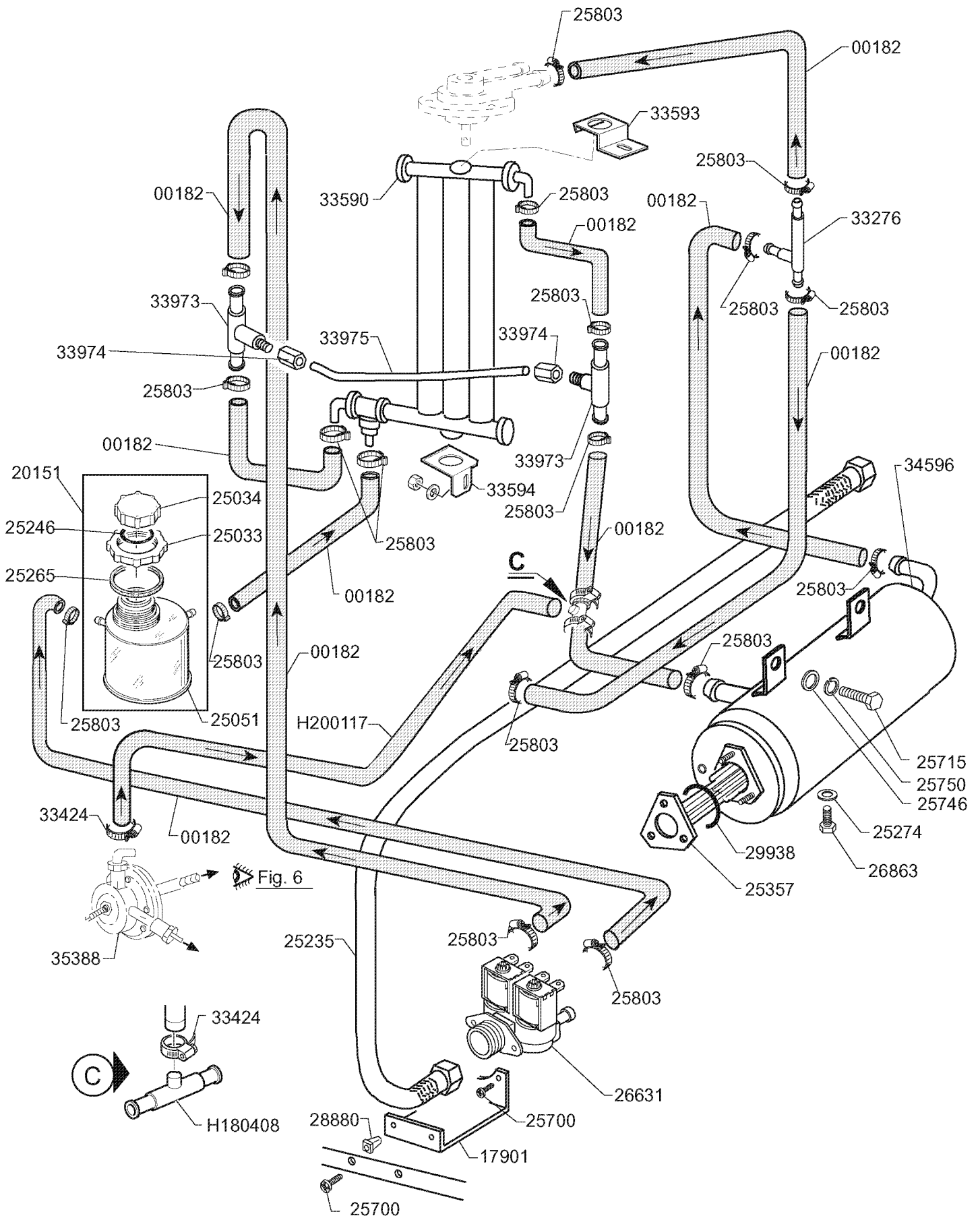
Ed.	02/2002
Rev.	
Data	

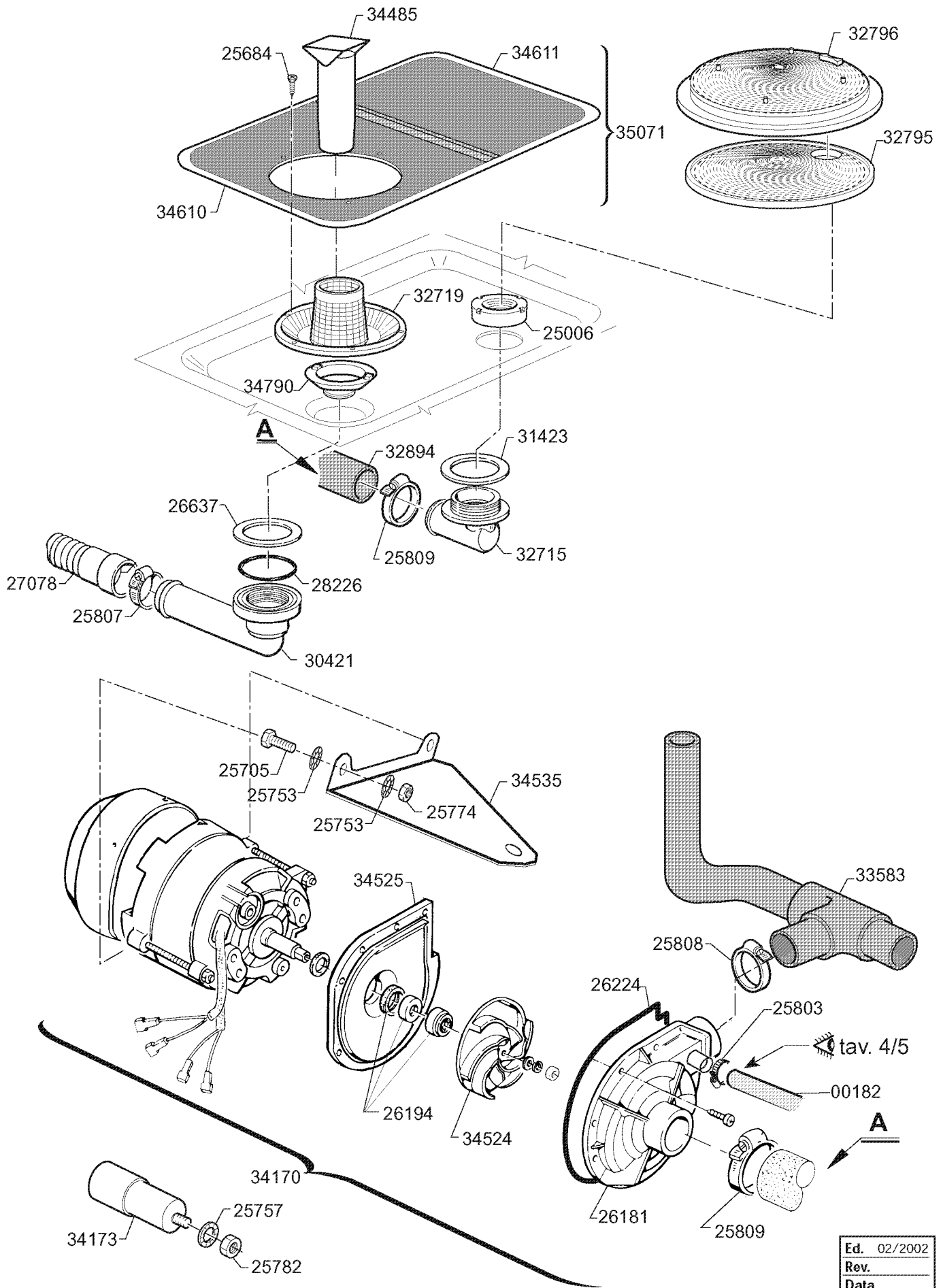


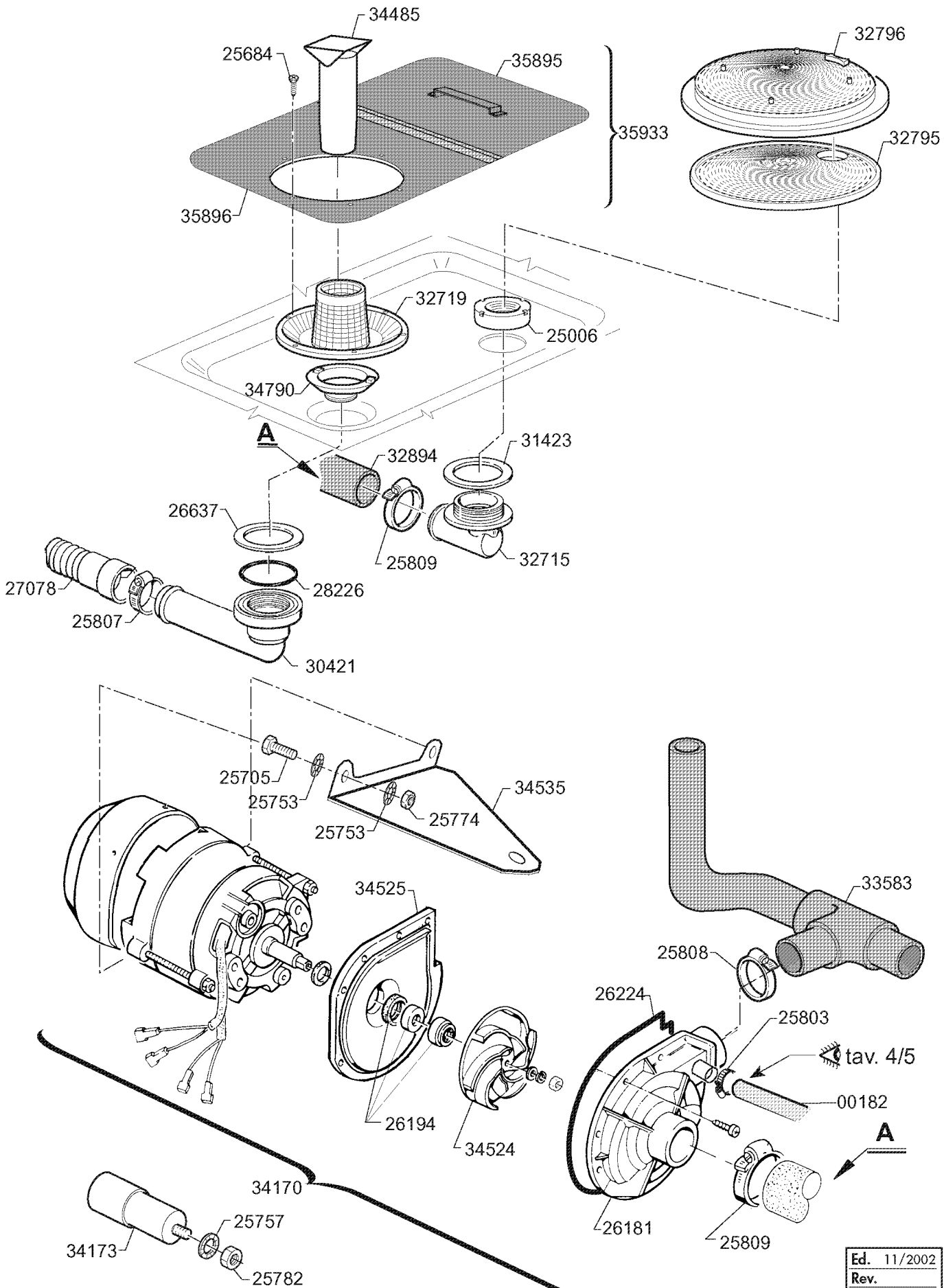
RSP 50 A PV

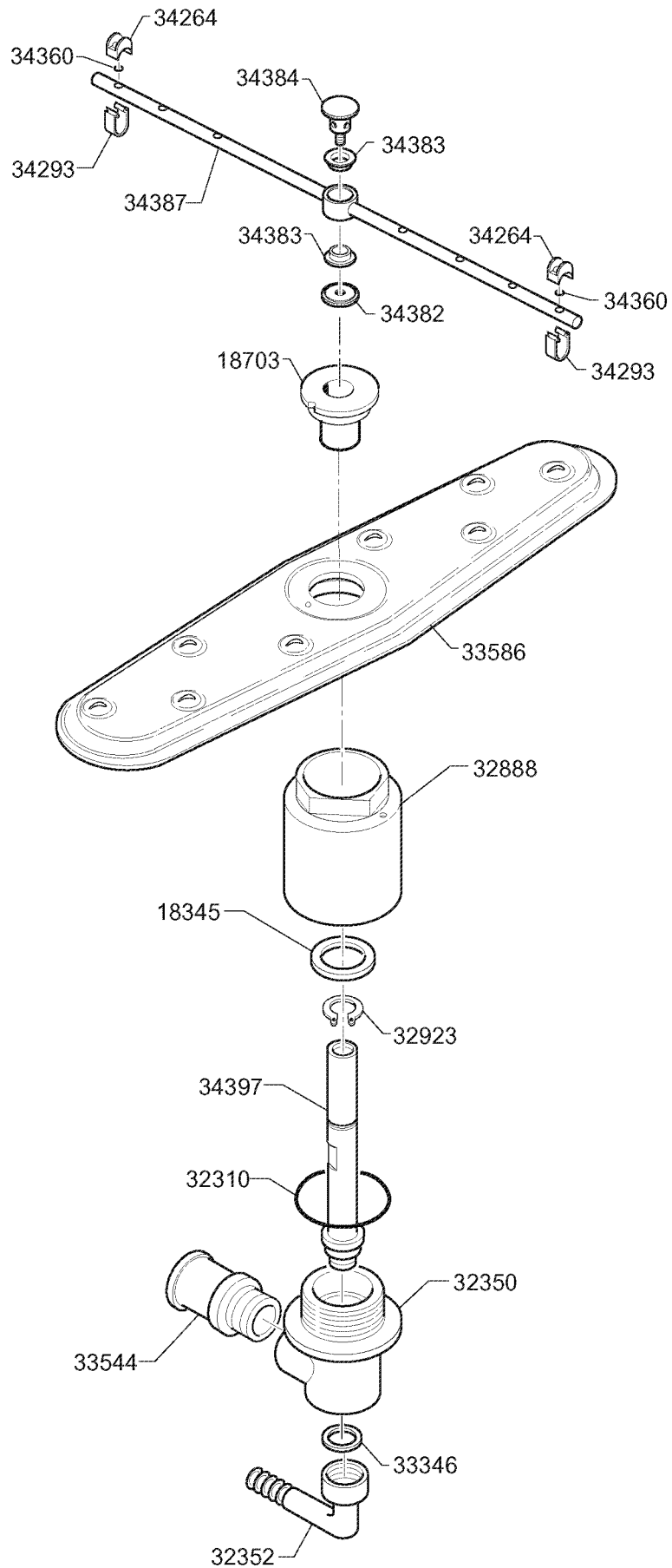
Ed.	02/2002
Rev.	
Data	

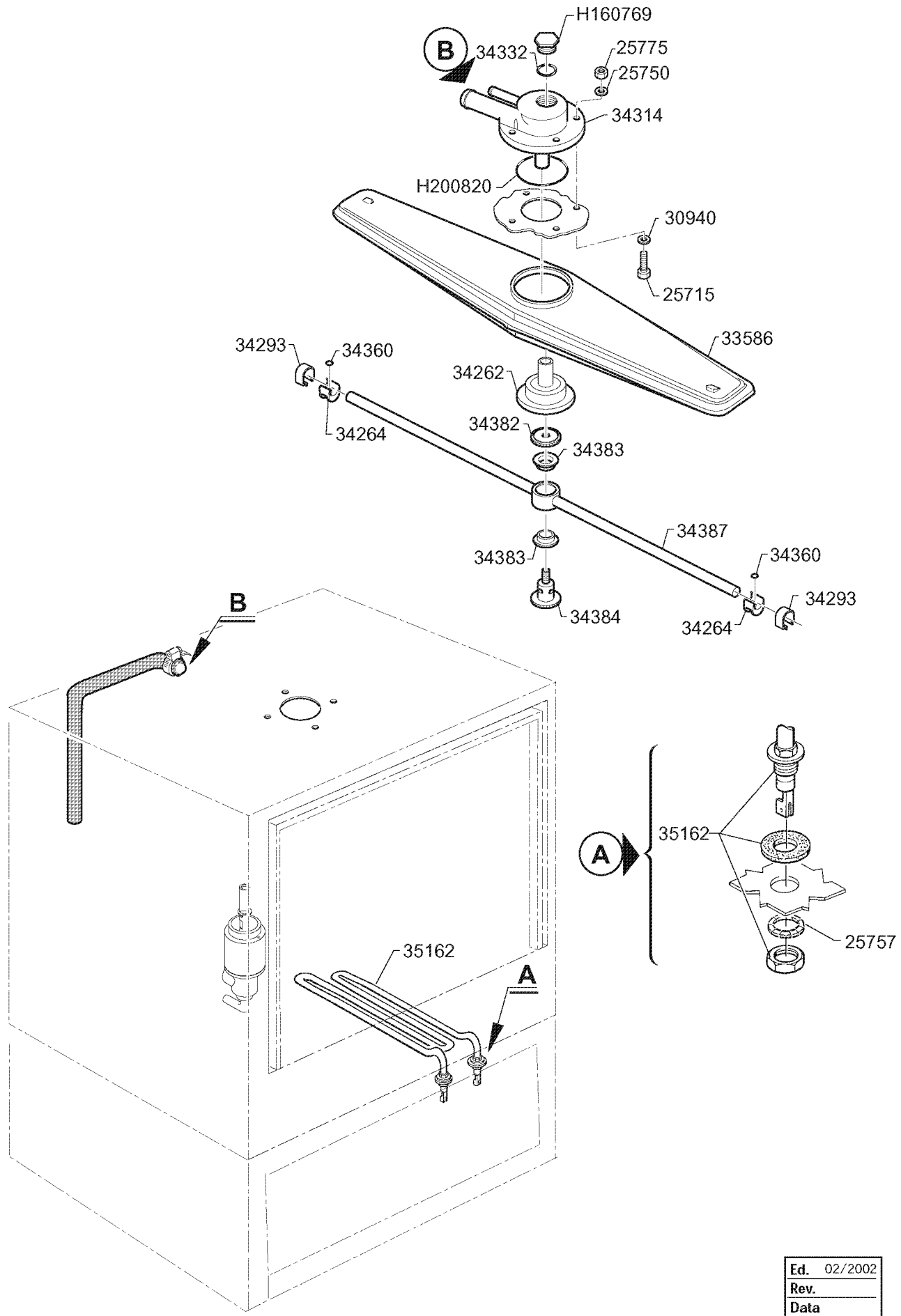












Ed.	02/2002
Rev.	
Data	

