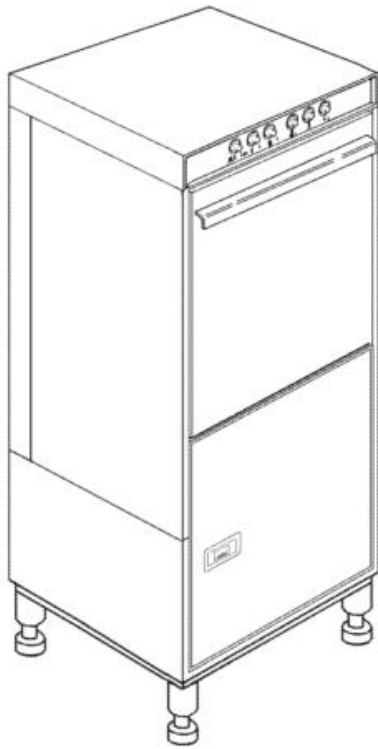


CATALOGO RICAMBI  
SPARE PARTS  
PIECES DETACHEES  
ERSATZTEILE  
LISTA DE RECAMBIOS



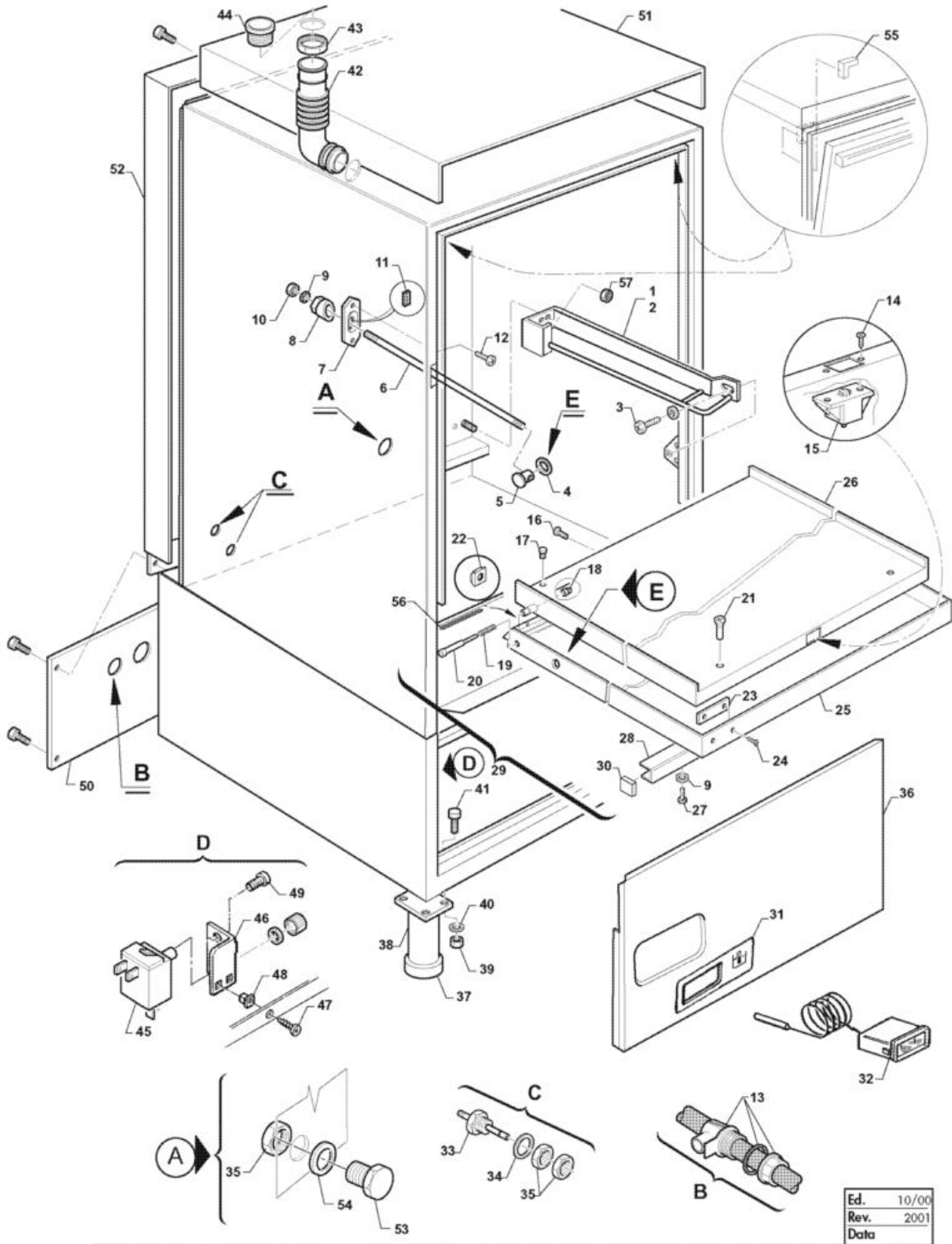
Lavastoviglie  
Lavevaisselle  
Geschirrspüler  
Dishwashers  
Lavavajillas

**C 81**

**SP 81**

Ed. 10/00  
rev. 2001

- 1 Door Components
- 2 Door Components 05/03 >>
- 3 Electrical Components
- 4 Electrical Components
- 5 Wash/ Rinse / Boiler
- 6 Lower/upper Wash And Rinse Arms
- 7 Lower/upper Wash And Rinse Arms
- 8 Lower/upper Wash And Rinse Arms 10/03 >>
- 9 Wash Pump/filter
- 10 Rinsaid Pump



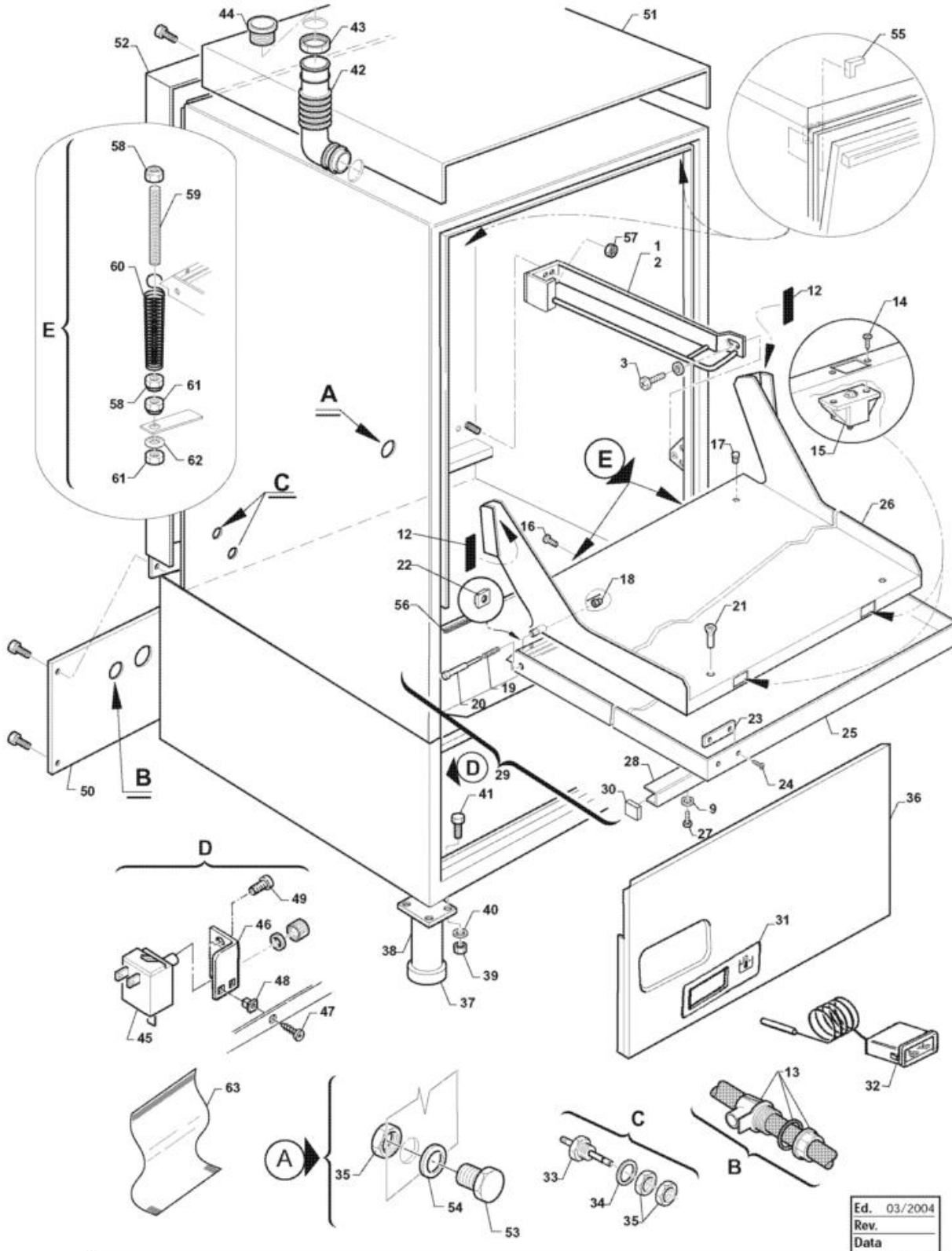
Ed.	10/00
Rev.	2001
Data	

## Door Components

Code	Description	
34693	RIGHT SLIDE GUIDE, BASKET CPL C81	
34694	LEFT SLIDE GUIDE, BASKET CPL C81	
26751	SCREW 1/2 FLAT ROUND HD 6 X 12	
160836	RONDELLA GRANO PORTA-BC/BR143	
34143	PIN FOR ROD DOOR	
34440	ROD FOR DOOR C 90	
160909	PIASTRINA x TIRANTE PORTA	
190619	FERMO TIRANTE PORTA B-F-R	
25744	SPACER, FLAT, DIAM.5	
25791	SELF-LOCKING NUT 5 MA LOWER SIDE	
160837	GUARNIZIONE X PIASTR. TIRANTE	
28699	CHEESE-HD SCREW TC 4 X 10	
33344	CABLE CLIP 5030 STEAB	
26691	SCREW TS M 4 X 8	
33336	ROLLER DOOR LATCH	
25700	SCREW CHEESE-H. 4 X 8 KNURLED	
160720	TAPPO A SCATTO HEYCO D.8	
25293	PLUG RUBBER DIAM. 10	
29594	NUT BLIND 4 MA	
30438	SPRING FOR PIN AND DOOR	
15568	MOBILE DOWEL FOR DOOR	
15995	BUSH SPRING FIX. HANDLE STS	
33179	ENCLOSED NUT 4MA	
32969	MAGNET FOR CONTACT M350 AP	
33277	SELF-TAPPING SCREW TSP 2,9 X 9,5	
34682	DOOR CASE C 81	
34683	DOOR INNER PANEL C81	
25708	SCREW HEX.HD M 5 X 10 SS	
18829	HANDLE FOR DOOR STS/APS/C 60	
34701/R	DOOR ASSY, PREASS., C81	
34015	PLUG END HANDLE, LEFT	
34016	PLUG END HANDLE, RIGHT	
34739	FRONT PLATE FOR THERMOMETER	
34741	BLUE PLATE FOR THERMOMETER	
26236	THERMOMETRE MT 2	
35361	LEV. TANK PROBE ED 650 C81/90	
25266	FLAT GASKET 18 X 10 X 2	
27155	PLASTIC NUT10 M	
34684	TANK FRONT PANEL C 81	
33534	FOOT, COMENDA, 30 MM	
33532	PLASTIC FOOT HOLDER	
25793	SELF-LOCKING NUT 8 MA LOWER SIDE	
25747	SPACER, FLAT, DIAM. 8	
25730	SCREW HEX.HD M 8 X 25	
26556	BREATHER SLEEVE, K 80 ZEROWATT	

## Door Components

Code	Description	
25006	NUT FO DRAIN SUCT. P.	
34445	PIPE UNION, BREATHER SLEEVE C90	
33745	LIMITER 110? MANUAL RESET	
17582	HOLDER THERMOSTAT 43/60	
25697	SELF-TAPPING SCREW CHEESE D747H.ROS	
28880	NUT SCREW	
25699	SCREW CHEESE-H. 4 X 6	
34685	BASE REAR PANEL, C 81	
34686	UPPER PANEL C 81	
34687	REAR PANEL C 81	
26966	HOLE CLOSING PLUG	
25266	FLAT GASKET 18 X 10 X 2	
34470	RUBBER PROTECT.CORNER, TANK LABYR.	
33408	NEOPREN ADHESIVE GASKET 8 X 4	
34087	FLANGED NUT M5 A2 DIN 6923	

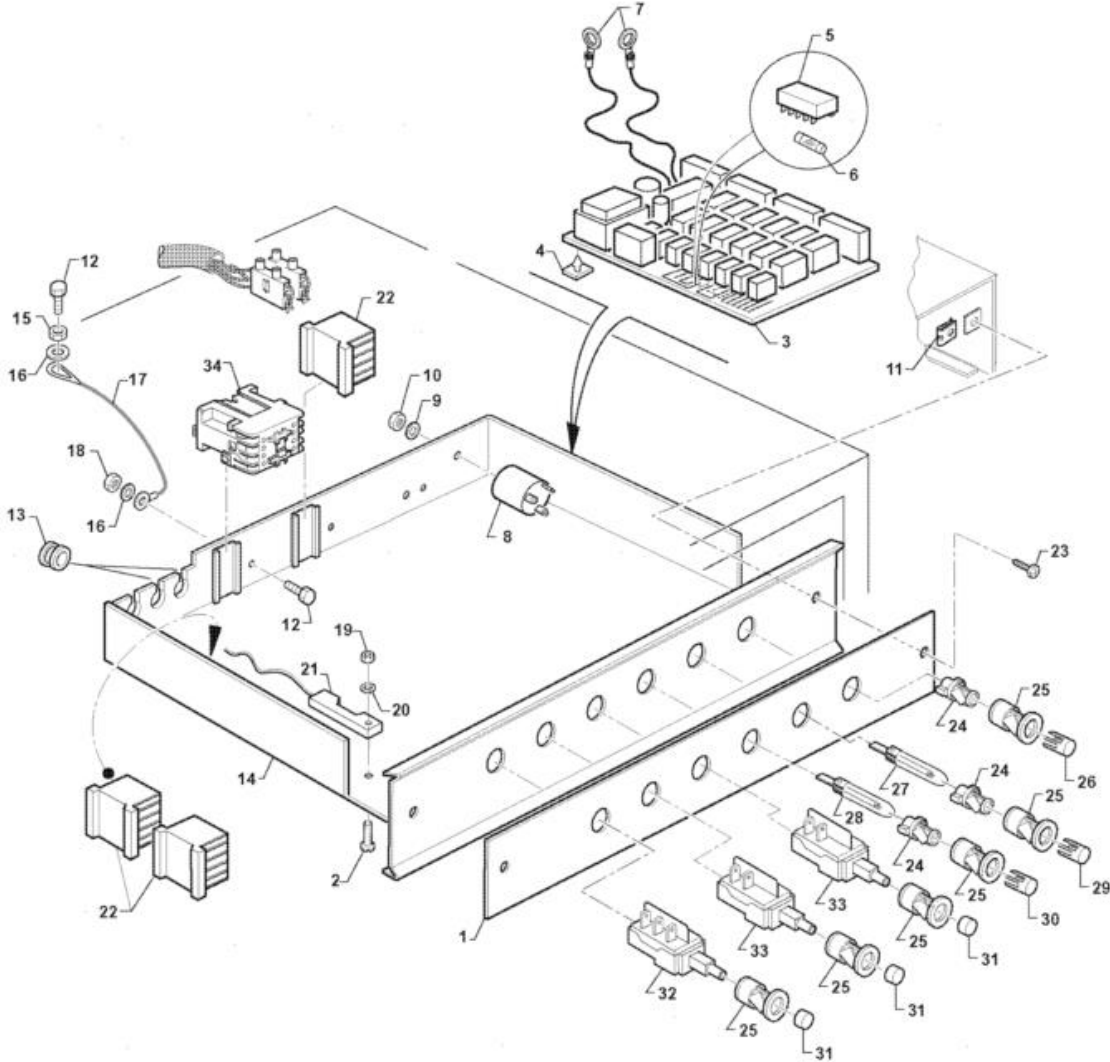


Ed.	03/2004
Rev.	
Data	

Code	Description	
34693	RIGHT SLIDE GUIDE, BASKET CPL C81	
34694	LEFT SLIDE GUIDE, BASKET CPL C81	
26751	SCREW 1/2 FLAT ROUND HD 6 X 12	
36004	SHOCK-ABSORB.RUBBER FOR DOOR C90	
33344	CABLE CLIP 5030 STEAB	
26691	SCREW TS M 4 X 8	
33336	ROLLER DOOR LATCH	
25700	SCREW CHEESE-H. 4 X 8 KNURLED	
160720	TAPPO A SCATTO HEYCO D.8	
25293	PLUG RUBBER DIAM. 10	
29594	NUT BLIND 4 MA	
30438	SPRING FOR PIN AND DOOR	
15568	MOBILE DOWEL FOR DOOR	
15995	BUSH SPRING FIX. HANDLE STS	
33179	ENCLOSED NUT 4MA	
32969	MAGNET FOR CONTACT M350 AP	
33277	SELF-TAPPING SCREW TSP 2,9 X 9,5	
36163	DOOR REINFORC.HOUSING C 81	
36164	DOOR INNER REINF.PANEL C 81	
25708	SCREW HEX.HD M 5 X 10 SS	
18829	HANDLE FOR DOOR STS/APS/C 60	
34701/R	DOOR ASSY, PREASS., C81	
34015	PLUG END HANDLE, LEFT	
34016	PLUG END HANDLE, RIGHT	
34739	FRONT PLATE FOR THERMOMETER	
34741	BLUE PLATE FOR THERMOMETER	
26236	THERMOMETRE MT 2	
35361	LEV. TANK PROBE ED 650 C81/90	
25266	FLAT GASKET 18 X 10 X 2	
27155	PLASTIC NUT10 M	
34684	TANK FRONT PANEL C 81	
33534	FOOT, COMENDA, 30 MM	
33532	PLASTIC FOOT HOLDER	
25793	SELF-LOCKING NUT 8 MA LOWER SIDE	
25747	SPACER, FLAT, DIAM. 8	
25730	SCREW HEX.HD M 8 X 25	
26556	BREATHER SLEEVE, K 80 ZEROWATT	
25006	NUT FO DRAIN SUCT. P.	
34445	PIPE UNION, BREATHER SLEEVE C90	
33745	LIMITER 110? MANUAL RESET	
17582	HOLDER THERMOSTAT 43/60	
25697	SELF-TAPPING SCREW CHEESE D747H.ROS	
28880	NUT SCREW	
25699	SCREW CHEESE-H. 4 X 6	
34685	BASE REAR PANEL, C 81	

Code	Description	
34686	UPPER PANEL C 81	
34687	REAR PANEL C 81	
26966	HOLE CLOSING PLUG	
25266	FLAT GASKET 18 X 10 X 2	
34470	RUBBER PROTECT.CORNER, TANK LABYR.	
33408	NEOPREN ADHESIVE GASKET 8 X 4	
34087	FLANGED NUT M5 A2 DIN 6923	
25792	SELF-LOCKING NUT 6 MA LOWER SIDE	
34774	THREADED ROD FOR SPRING DOOR 90	
34773	DOOR SPRING C 90	
25775	NUT 6 MA	
25745	SPACER, FLAT, DIAM.6	
36432	SAF. THERMOSTAT PROTECT. APS/C81/C9	

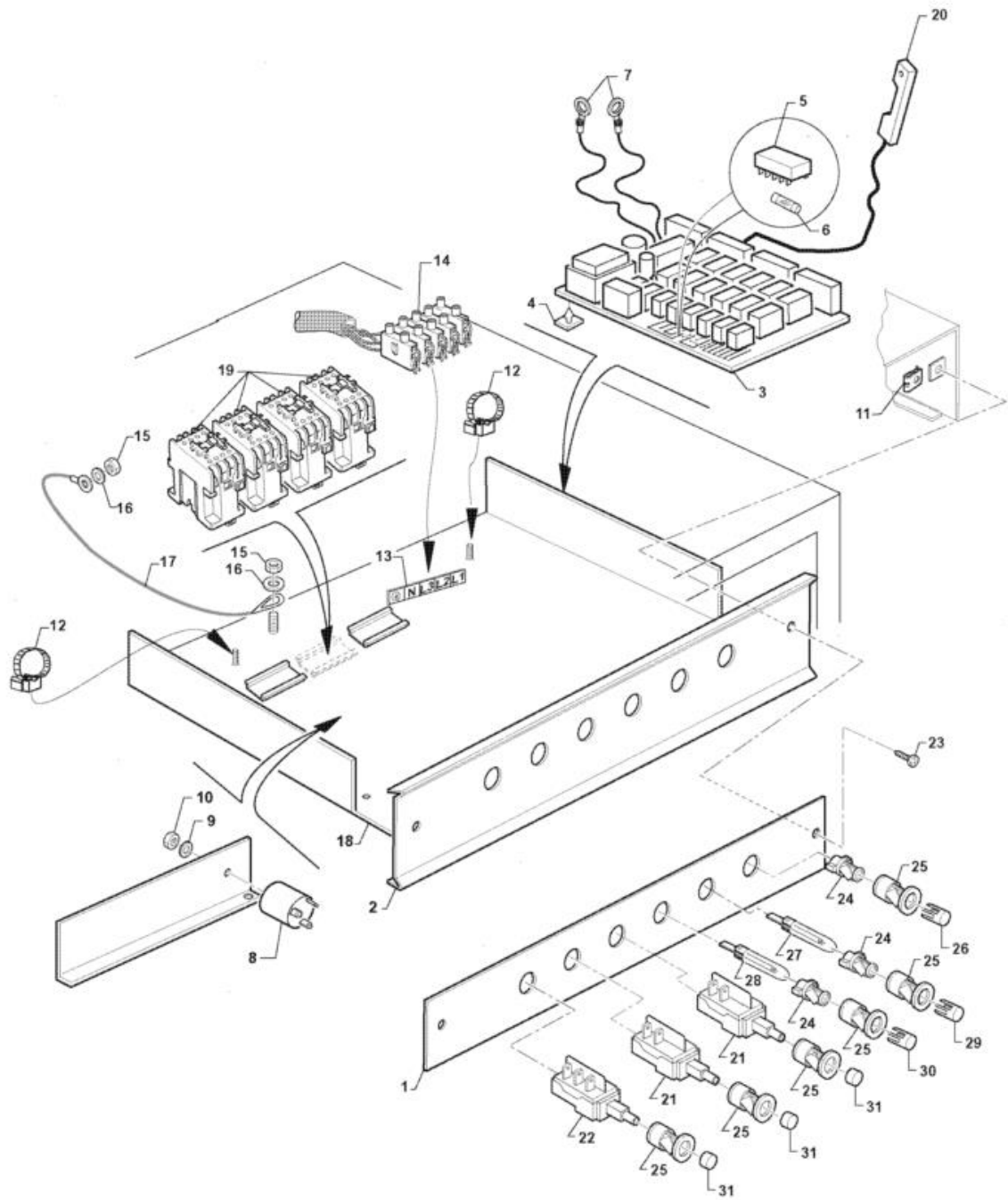




Ed.	06.99
Rev.	2005
Data	

## Electrical Components

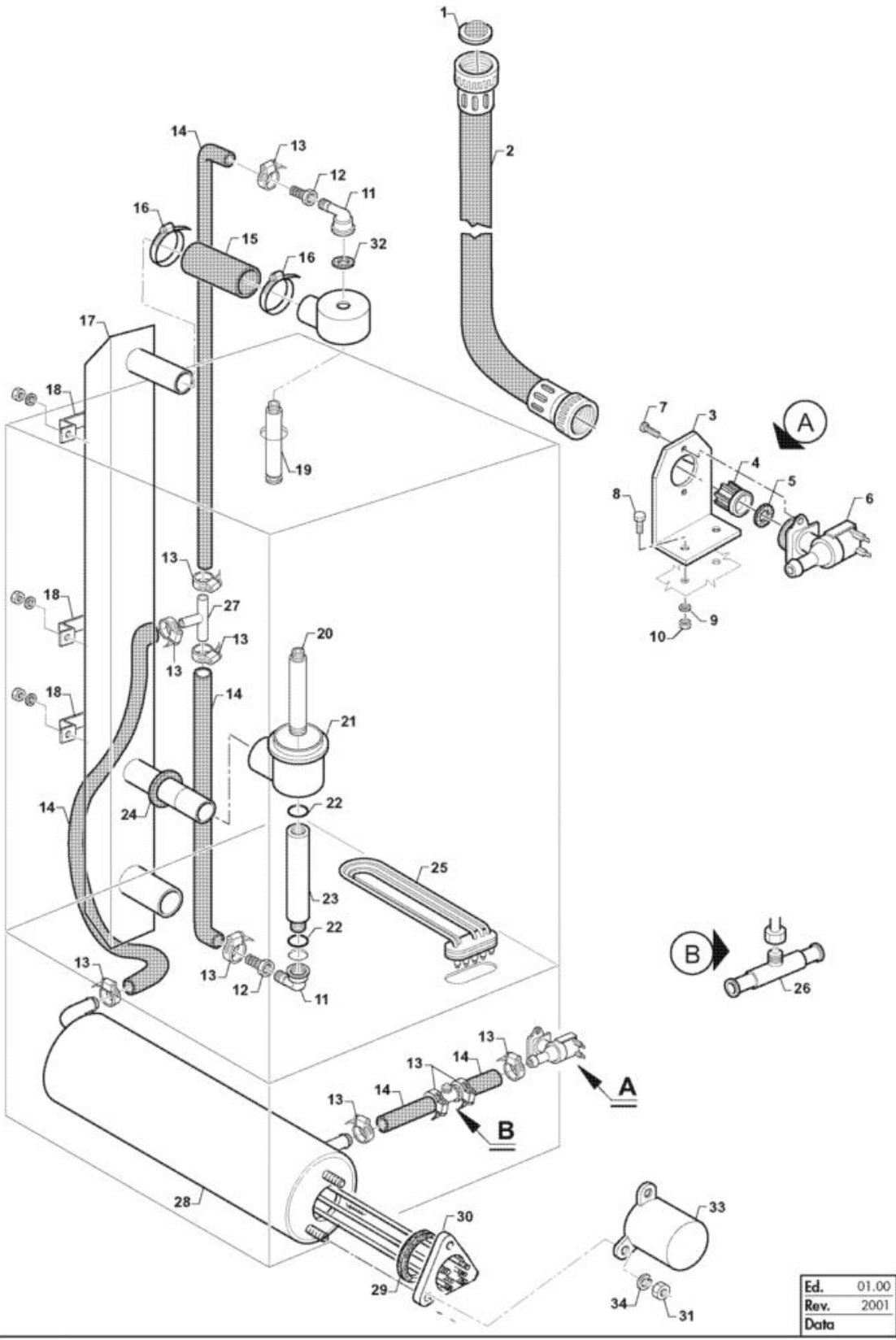
Code	Description	
34152	NAMEPLATE, CONTROLS C 80 C 81	
34211	NAMEPLATE, CONTROLS SP 80 - SP 81	
32970	BEVEL, CROSS-SLOT HD. SCREW TS 3 X	
34749	PRINT.CIRC.BOARD DWSC81 11.03.99	
30006	SPACER FOR PRINTED CIRC. HOLDER	
34187	MICROP.DWSAPTSE V.01.02-010399	
35563	MICROP.DWSAP 1.02-23.04.01	
34284	FUSE,V.5X20 32 MA (33173-33342)	
34945	TEMPERATURE PROBE NTC L=200	
35567	PROBE TEMP. NTC 3.3K YELLOW	
31324	NOISE FILTER, TYPE 5001	
25757	TOOTHED SPACER DIAM. 12 D.E.D787	
25782	NUT 8 MA	
25831	PLATE FOR SELFTHREAD. SCREW SIDES 7	
25700	SCREW CHEESE-H. 4 X 8 KNURLED	
34305	CABLE RACEWAY STEAB 6211/16/21	
34689	CTRL PANEL W/BOARD C81	
25774	NUTS 5 MA	
25744	SPACER, FLAT, DIAM.5	
33891	ROPE, ELECTR.PLANT LIMIT STOP	
25775	NUT 6 MA	
25777	NUTS 3 MA	
31828	DENTED ROUND SPACER, EX ? 3	
33188	MAGNETIC SENSOR	
31873	REMOTE SWITCH 220-240V- B6-30-10	
25697	SELF-TAPPING SCREW CHEESE D747H.ROS	
32891	LIGHT BULB HOLDER	
33247	SUPPORT LAMP HOLDER, BRIGHT GREY	
32916	PLUG D 16	
33187	LED BULB "ORANGE"	
33185	LED BULB "GREEN"	
32869	CAP, ?16"ORANGE"	
32868	CAP, ?16"GREEN"	
32890	BRIGHT GREY PUSH-BUTTON,	
32872	SWITCH SA SINGLE POLE D	
29529	UNIPOLAR PUSHBUTTON NA	
31982	CONTACTOR CN9 - 220V 50 HZ	



Ed.	10.00
Rev.	2005
Data	

## Electrical Components

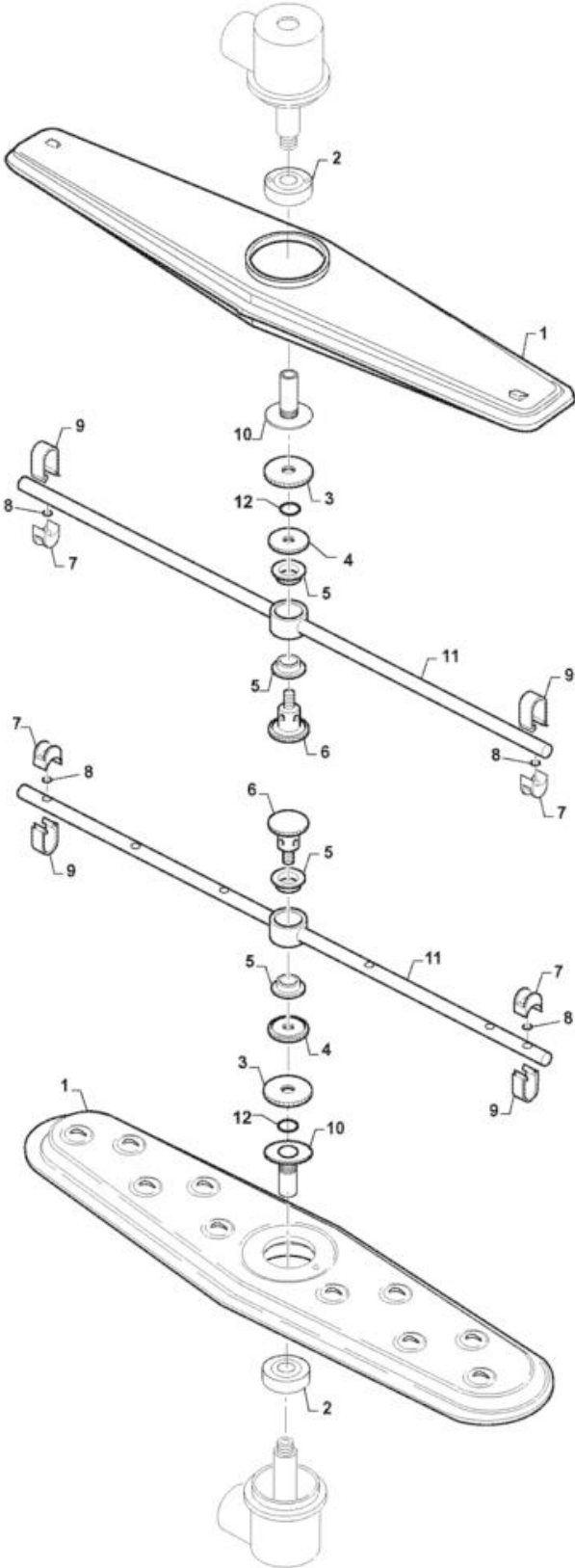
Code	Description	
34152	NAMEPLATE, CONTROLS C 80 C 81	
34211	NAMEPLATE, CONTROLS SP 80 - SP 81	
35282	CTRL PAN.NAMEPLATE C 81	
34749	PRINT.CIRC.BOARD DWSC81 11.03.99	
30006	SPACER FOR PRINTED CIRC. HOLDER	
34187	MICROP.DWSAPTSE V.01.02-010399	
35563	MICROP.DWSAP 1.02-23.04.01	
34284	FUSE,V.5X20 32 MA (33173-33342)	
34945	TEMPERATURE PROBE NTC L=200	
35567	PROBE TEMP. NTC 3.3K YELLOW	
31324	NOISE FILTER, TYPE 5001	
25757	TOOTHED SPACER DIAM. 12 D.E.D787	
25782	NUT 8 MA	
25831	PLATE FOR SELFTHREAD. SCREW SIDES 7	
450137	ATTACCO A COLLARE C/BASE 31900	
463033	TARGHETTA INDIC. LINEA TRIFASE	
130311	MORSETT. 5POSTI ELETTRGIBI	
25774	NUTS 5 MA	
25744	SPACER, FLAT, DIAM.5	
33891	ROPE, ELECTR.PLANT LIMIT STOP	
35280	ELECTRIC PLANT SUPPORT C81/C90	
31873	REMOTE SWITCH 220-240V- B6-30-10	
33188	MAGNETIC SENSOR	
29529	UNIPOLAR PUSHBUTTON NA	
32872	SWITCH SA SINGLE POLE D	
25697	SELF-TAPPING SCREW CHEESE D747H.ROS	
32891	LIGHT BULB HOLDER	
33247	SUPPORT LAMP HOLDER, BRIGHT GREY	
32916	PLUG D 16	
33187	LED BULB "ORANGE"	
33185	LED BULB "GREEN"	
32869	CAP, ?16"ORANGE"	
32868	CAP, ?16"GREEN"	
32890	BRIGHT GREY PUSH-BUTTON,	



## Wash/ Rinse / Boiler

Code	Description	
30541	FILTER ON FILLING HOSE 3/4"	
25235	INLET HOSE 3/4" 60 ATE	
33430	STANDARD SQ.BRACKET	
26981	FILTER X SOLENOID V.T/N	
34133	CONTROL QTY 14 LT.	
30933	SOLENOID VALVE SING. 3/4"	
25700	SCREW CHEESE-H. 4 X 8 KNURLED	
25705	SCREW HEX.HD M 5 X 16 SS 18/8	
25753	TOOTHED SPACER.DIAM.5 D.E.	
34087	FLANGED NUT M5 A2 DIN 6923	
33477	ELBOW FEM/FEM. 3/8 1/4 C140-155	
34426	PIPE UNION 1/4 G FOR C90	
25803	HOSE CLIP 13-20 ABA	
00182	HOSE 11X19 CASER/15"BLUE"	
34466	CONNECT.SLEEVE, UPPER WASH C 90	
25808	HOSE CLIP 27-51CLAM	
34688	WASH DELIVERY HOSE C 81	
33461	JUMPER, WASH RAMP ARMC140-C85	
34742	DRIV.SHAFT FOR UPPER ROT.ARM C81/C9	
35172	DRIV.SHAFT, UPP.REV.ARM, GF90 RIGHT	
34427	SHAFT, LOWER ROT.ARM C90, LEFT	
35173	DRIV.SHAFT, LWR.REV.ARM, GF90 RIGHT	
33470	SUPP. LOWER W.ARM."C"WASH-L C110-14	
34332	GASKET OR 128 SUPP.PLUG	
34428	EXTENSION, ROT.ARM SHAFT C90	
33453	GASKET 60X54 REAR C140	
33339	HEAT.ELEM.3000W 230/400V(110227)	
33817	T-CONNECTOR FOR DISPENS. HOONV.	
33276	T-SHAPED CONNECTOR ?11,5-PART180413	
33403	BOILER"F45/F80/C85/140"	
33402	GASKET OR 6X56X68	
33400	HEAT.EL.FL.6000W 220/380V (110349)	
25781	NUTS 6 MA, THREADED/ZINCATED	
33372	GASKET 24X17X2 FASIT OMNIA	
33401	COVER, HEATING ELEMENT H 50 (HIGH)	
25750	SPACER, SPLITTED, DIAM. 6	

Lower/upper Wash And Rinse Arms



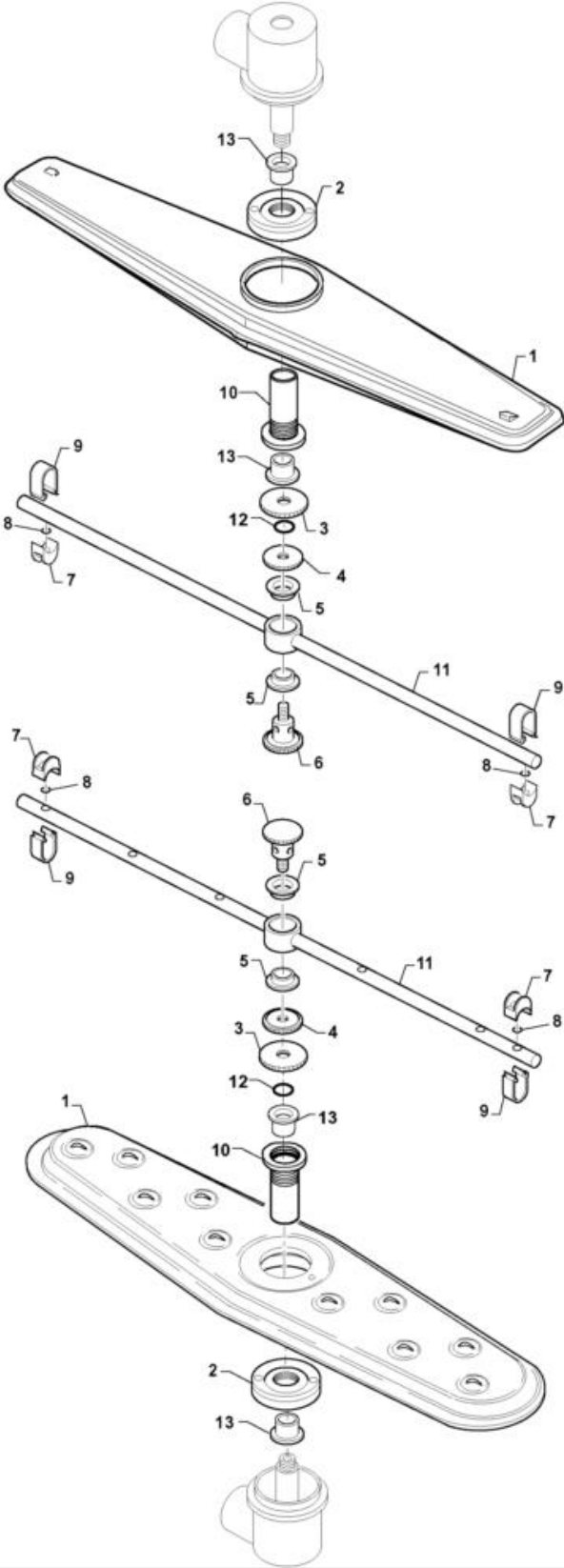
Ed.	06.99
Rev.	2001
Data	

## Lower/upper Wash And Rinse Arms

Code	Description	
17085	REVLV. WASHARM UPPER	
33469	NUT FOR WASHARM SPRING BUSH	
33478	LOCK NUT, WASHARM C140-155	
34382	DISTANCE WASHER RINSE LEFT TURNING	
34998	SPAC.NUT, REVLV RINSE ARM, DX	
34383	BUSH SPRING HUB, RINSE ROT.ARM	
34384	PIN, RINSE ROT.ARM	
34997	PIN, RINSE REVLV.ARM,RIGHT	
34264	RINSE JET WITH SPRING	
34360	GASKET OR 7 X 1 NBR 70	
34293	JET LOCK SPRING	
33468	SPRING BUSH, WASHARM	
34417	RINSE ARM C 81/C90 S/ANT.	
35084	RINSE REV.ARM, C81/C90 ROT.CLCKW.RE	
33790	GASKET OR 2X9,5X13,5 F.S.	



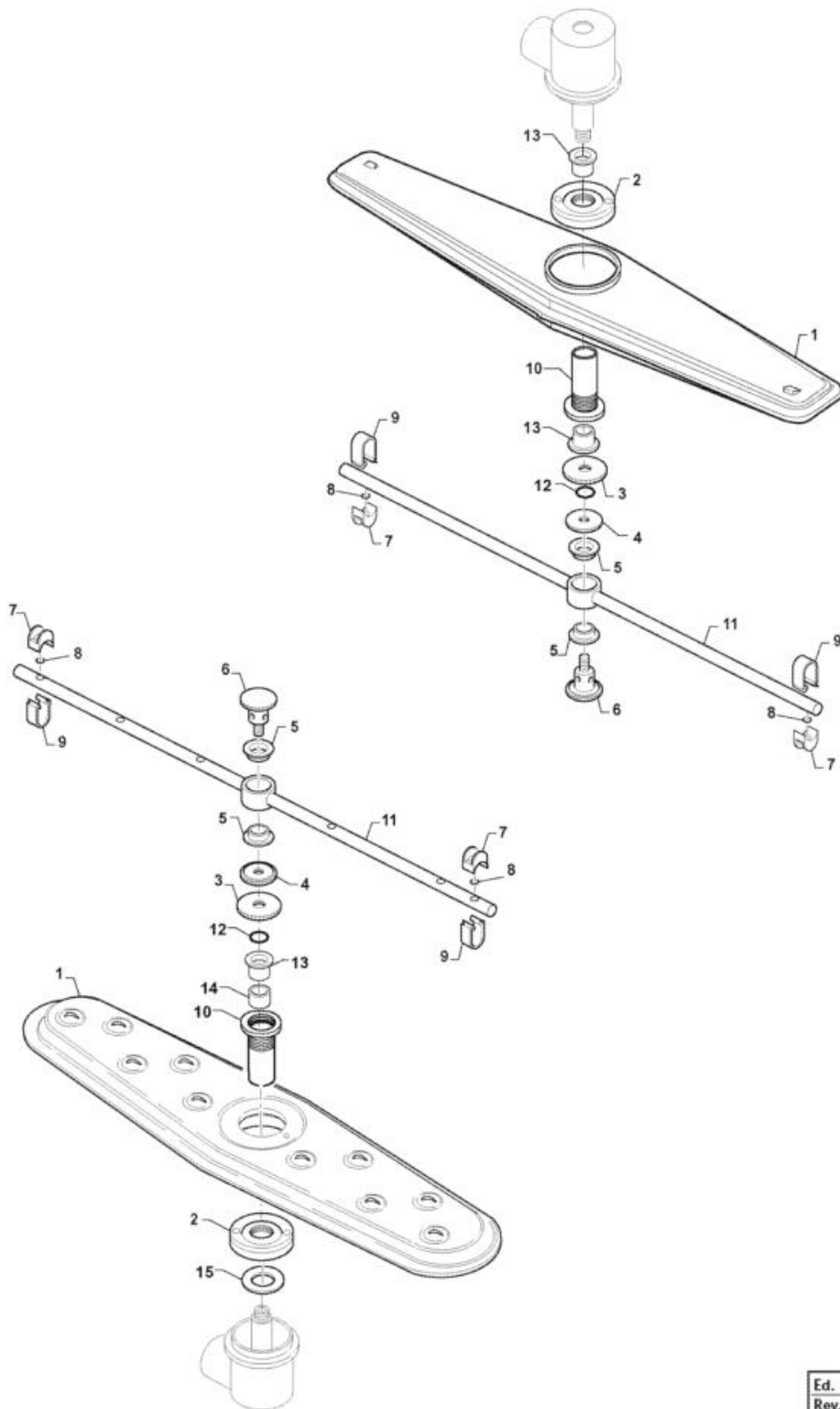
Lower/upper Wash And Rinse Arms



Ed.	09/2002
Rev.	
Data	

## Lower/upper Wash And Rinse Arms

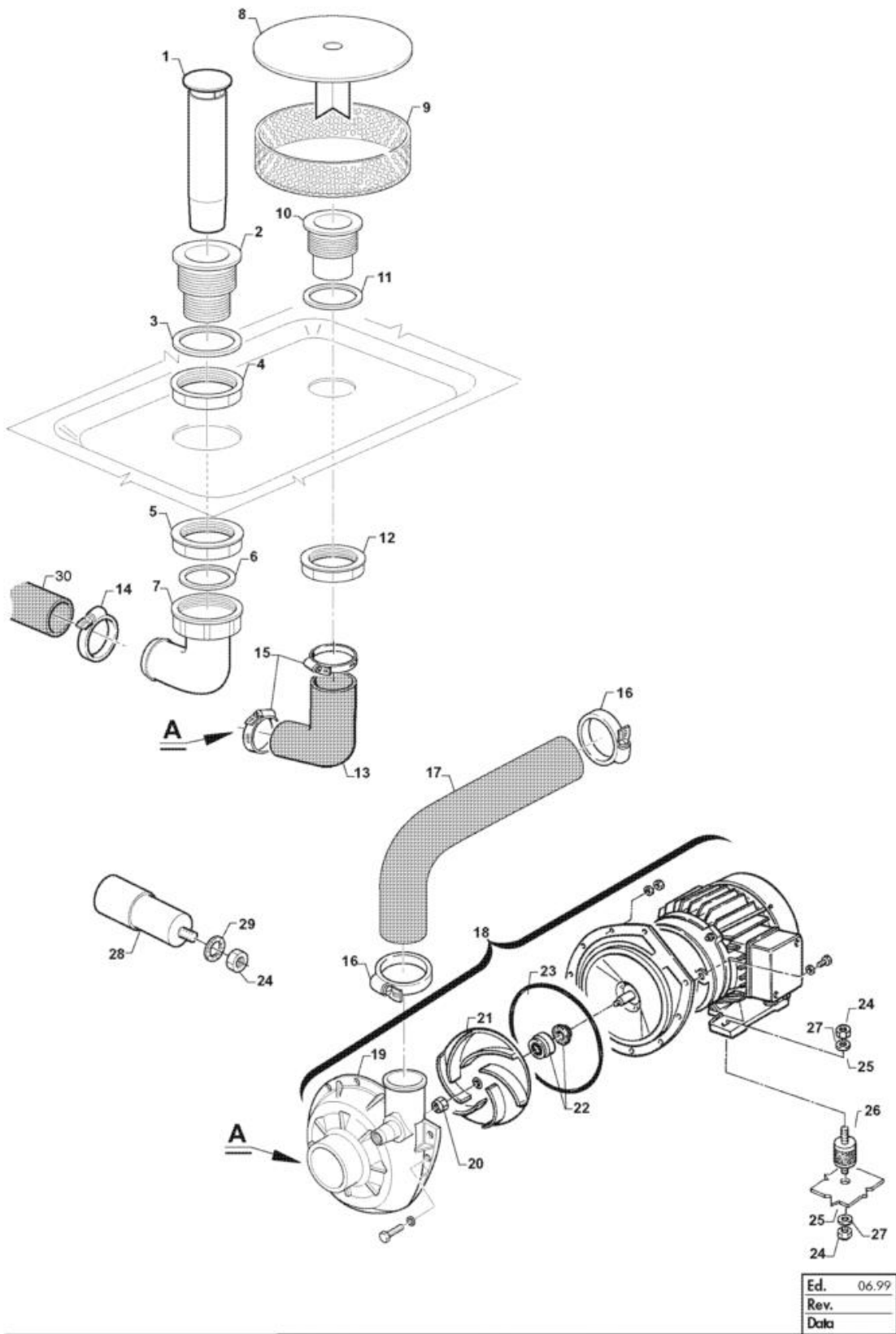
Code	Description	
420553	MUL.LAVAG.INOX"Piatto"LC-CAP"	
36011	THRDD.BUSH FOR REV.WASHARM BUSH	
33478	LOCK NUT, WASHARM C140-155	
34382	DISTANCE WASHER RINSE LEFT TURNING	
34383	BUSH SPRING HUB, RINSE ROT.ARM	
34384	PIN, RINSE ROT.ARM	
34264	RINSE JET WITH SPRING	
34360	GASKET OR 7 X 1 NBR 70	
34293	JET LOCK SPRING	
35977	S.S. BUSHING FOR BUSHING 35968	
34417	RINSE ARM C 81/C90 S/ANT.	
33790	GASKET OR 2X9,5X13,5 F.S.	
35968	BUSHING, TYPE H370 2023-21	



Ed.	03/2004
Rev.	
Data	

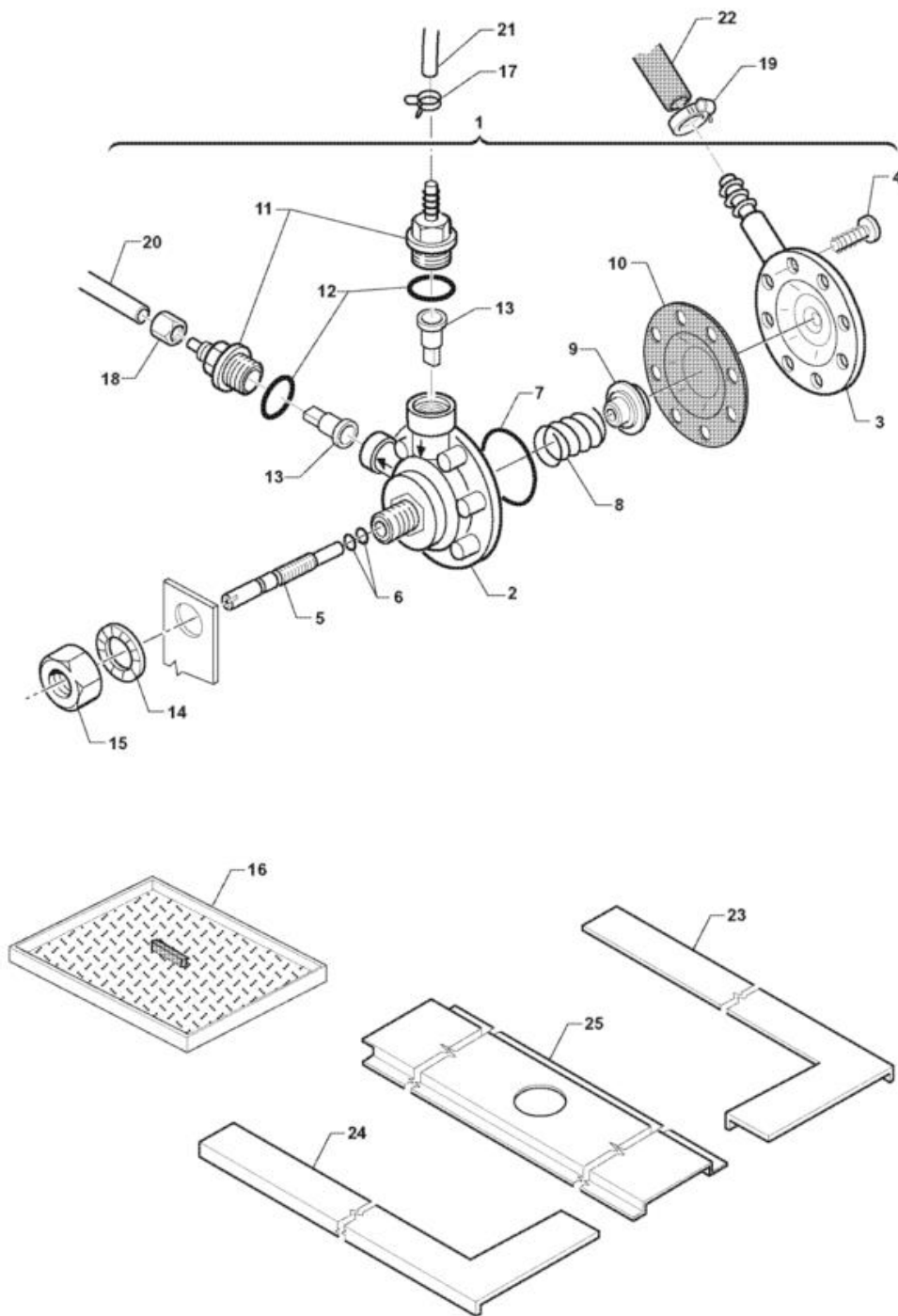
Lower/upper Wash And Rinse Arms 10/03 >>

Code	Description	
420553	MUL.LAVAG.INOX"Piatto"LC-CAP"	
36011	THRDD.BUSH FOR REV.WASHARM BUSH	
33478	LOCK NUT, WASHARM C140-155	
34382	DISTANCE WASHER RINSE LEFT TURNING	
34383	BUSH SPRING HUB, RINSE ROT.ARM	
34384	PIN, RINSE ROT.ARM	
34264	RINSE JET WITH SPRING	
34360	GASKET OR 7 X 1 NBR 70	
34293	JET LOCK SPRING	
36188	STAIN.STEEL BUSH F. HOOD WASHARM	
34417	RINSE ARM C 81/C90 S/ANT.	
33790	GASKET OR 2X9,5X13,5 F.S.	
35968	BUSHING, TYPE H370 2023-21	
36187	BUSH TYPE H370 SM 2023-20	
35640	SPACER WASHER, RINSE ARM, APS 60	



## Wash Pump/filter

Code	Description	
33528	OVERFLOW TUBE H189 C85-140	
160301	PILETTA SCARICO 1 1/2"	
33529	GASKET, NEOP.1 1/2D.65X47X2SP.	
180109	CONTRODADO DA 1 1/2" PLAST.	
33526	NUT 1"1/2, ELBOW F45-C75	
33530	DRAIN GASKET 1"1/2 45X33X3	
33524	ELBOW 1"1/2, DRAIN N-S-F-C	
33452	PROTECT.DISC PUMP SUCT. C85-C155	
34430	SAFETY FILTER, SUCTION PUMP C90	
33451	SUCTION ELBOW C85-140	
200906	GUARNIZIONE D. 92x66x2	
33450	THREADED NUT 65,4 C140 C85-C155	
29532	SUCT SLEEVE.ED700-900-650E	
25808	HOSE CLIP 27-51CLAM	
32130	HOSE CLIP 60-80	
25809	HOSE CLIP 40-64CLAM	
35020	DELIVERY SLEEVE, C 81/C 90	
34783	WASH PUMP LGB 230V50HZ HP.1	
33848	PUMP HOUS.ZF650 RIGHT A60/M50 HOSE	
33845	NUT M8, RIGHT H=5 MM	
35416	TURNED IMPELLER 90mm/0120 LGB	
33840	S MECH. SEAL PR/AR 12 BPF	
33855	GASKET OR. 158.34*3.53	
25776	NUTS 8 MA SS 18/8	
25747	SPACER, FLAT, DIAM. 8	
25232	ISOLATOR 2 PINS 8 MA 30x20	
25751	SPACER. SPLITTED, DIAM. 8	
34173	CAPACITOR UF 16	
25757	TOOTHED SPACER DIAM. 12 D.E.D787	
27110	DRAIN HOSE DIAM.33X1500	



Ed.	06.99
Rev.	
Data	

Code	Description	
22060	RINSE AID DISP.PREASS."YELLOW"1?	
25046	UPPER DISPENSER ASSEMBLY	
25047	LOWER DISPENSER ASSEMBLY	
25697	SELF-TAPPING SCREW CHEESE D747H.ROS	
18394	SCREW CONTROL DISPENSER	
25251	GASKET OR 2012	
32243	GASKET OR 3156	
25818	CYLINDER SPRING (WIRE)	
31991	SPRING GUIDE FOR DISPENSER	
31596	DIAPHRAGM, DISPENSER	
32084	FITTING KIT, SUCT/DELIV.VLV RINSE A	
32831	GASKET OR 2062	
25211	NON RETURN VALVE RINSE AID DISP.	
25757	TOOTHED SPACER DIAM. 12 D.E.D787	
15229	LOCK NUT AID DISPENSER	
33895	PLAST. FILTER, TANK LEVEL, 650 E	
31643	HOSE CLIP 7,3-7,8	
15228	RING FOR RINSING SOLUTION TUBE	
25803	HOSE CLIP 13-20 ABA	
00162	ROLL TUBE 6X4 RILSAN	
34779	TUBE 6X4 KYNARFLEX -PVDF	
00166	ROLL TUBE TRANSP. 4X7	
00182	HOSE 11X19 CASER/15"BLUE"	
36517	RIGHT SIDE CROSSBAR FILT. SUPP. C8	
36518	LEFT SIDE CROSSBAR FILT. SUPP. C81	
36516	CENTR. CROSSBAR FILT. SUPP. C81	