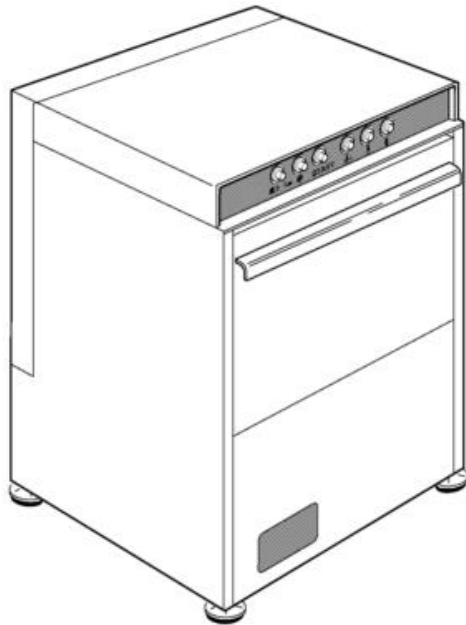


**CATALOGO RICAMBI
SPARE PARTS
PIECES DETACHEES
ERSATZTEILE
LISTA DE RECAMBIOS**



**Lavastoviglie
Lavevaisselle
Geschirrspüler
Dishwashers
Lavavajillas**

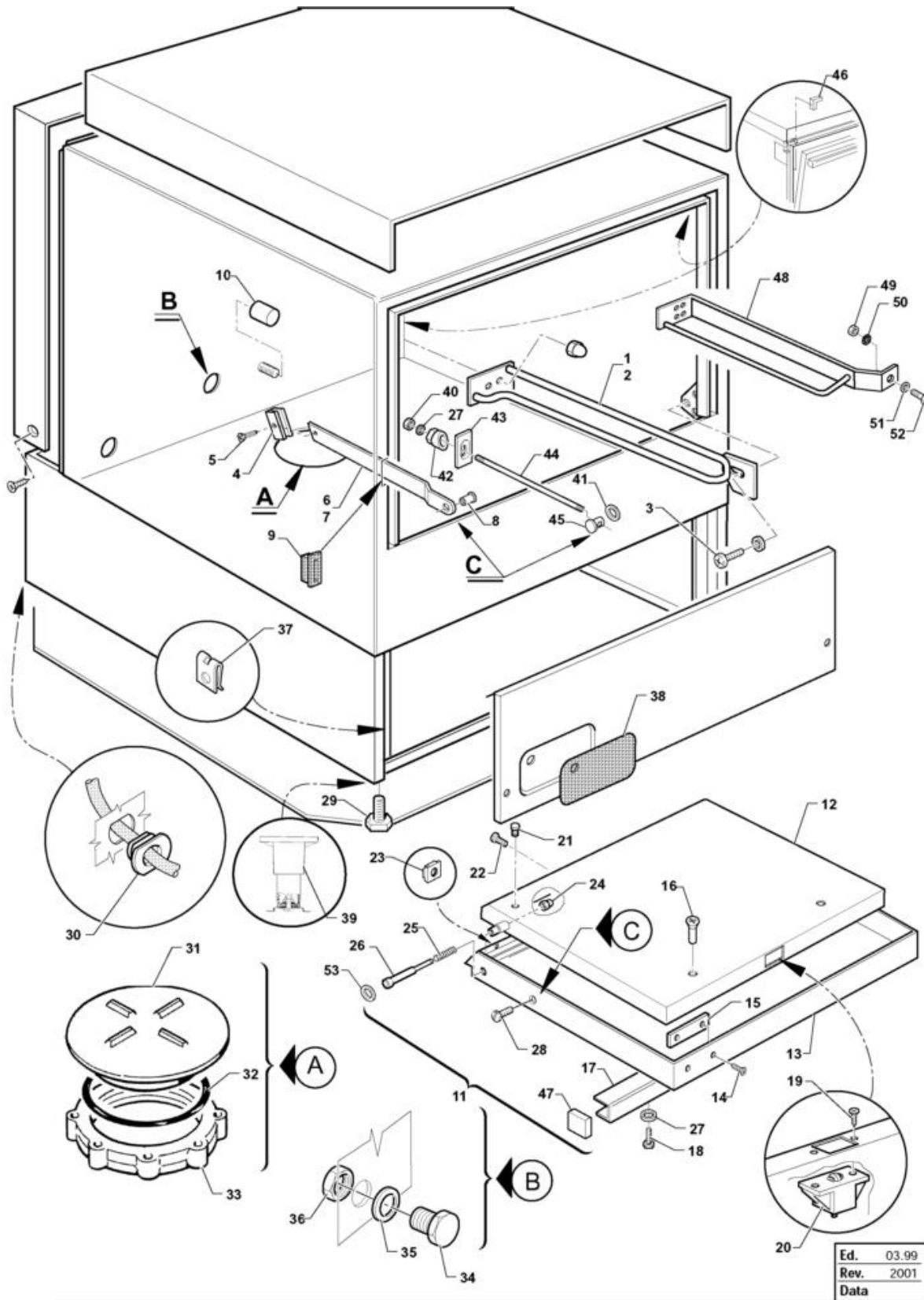
C/SP-CR/SPR

C D/SP D

CR D/SPR D

**Ed. 03.99
Rev. 2001**

- 1 Door Components
- 2 Electrical Components
- 3 Upper Rinse / Boiler
- 4 Upper Rinse / Boiler / 98
- 5 Bottom Wash And Rinse Arms
- 6 Bottom Wash And Rinse Arms / 98
- 7 Filter / Drain / Wash Pump
- 8 Filter / Drain / Wash Pump
- 9 Rinsaid Pump/thermostats
- 10 Water-softner
- 11 Water-softner without by-pass
- 12 Water-softner 60 D 10/03 ->>
- 13 Water-softner 60 D 11/03 ->>

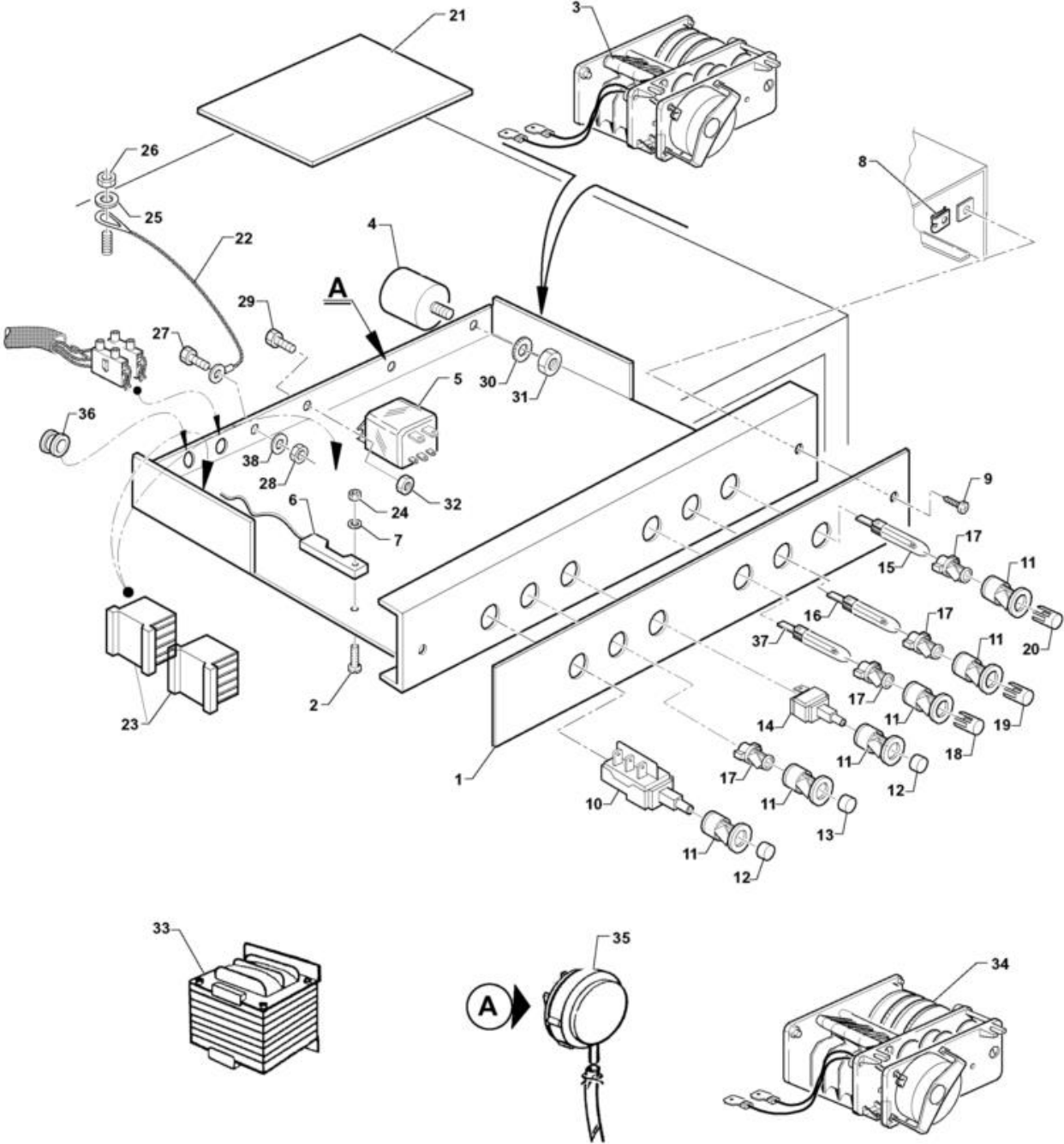


Door Components

Code	Description	
18927	GUIDE RACK SX STS-APS 43 RIN.AID	
18929	GUIDE RACK SX STS-APS 48 RIN.AID	
33589	RACK GUIDE, LEFT 53/60	
18926	GUIDE RACK DX STS-APS 43 RIN. AID	
18928	GUIDE RACK DX STS-APS 48 RIN.AID	
33588	RACK GUIDE, RIGHT 53/60	
26751	SCREW 1/2 FLAT ROUND HD 6 X 12	
18069	STOPPER DOOR STAY	
28699	CHEESE-HD SCREW TC 4 X 10	
18934	DOOR STAY SX 43/53	
18936	DOOR STAY SX STS 60	
18935	DOOR STAY DX 43/53	
18937	DOOR STAY DX STS 60	
18342	BUSH FOR DOOR HINGE	
30007	RUBBER FOR DOOR STAY	
18145	RACK STOPPER MM.25	
34665/R	DOOR ASSEMBLY CPL C/STS 60 L570xH42	
33570	INNER DOOR PANEL STS/APS/C 60	
34549	INNER DOOR PANEL C 43 ALTA	
18901	DOOR STS/APS/C 60	
34548	DOOR CASING, APS/STS/C60/98	
33277	SELF-TAPPING SCREW TSP 2,9 X 9,5	
32969	MAGNET FOR CONTACT M350 AP	
15995	BUSH SPRING FIX. HANDLE STS	
18829	HANDLE FOR DOOR STS/APS/C 60	
25708	SCREW HEX.HD M 5 X 10 SS	
26691	SCREW TS M 4 X 8	
33336	ROLLER DOOR LATCH	
25293	PLUG RUBBER DIAM. 10	
25700	SCREW CHEESE-H. 4 X 8 KNURLED	
33179	ENCLOSED NUT 4MA	
29594	NUT BLIND 4 MA	
30438	SPRING FOR PIN AND DOOR	
15568	MOBILE DOWEL FOR DOOR	
25744	SPACER, FLAT, DIAM.5	
25990	FLAT HD SCREW 5X9 SPEC. FOR ARM TOG	
25209	FEET, HEXAG. BASE	
33749	CABLE CLAMP PA 277	
25032	CATCH PLUG	
25245	GASKET OR 3281	
25008	LOCK. NUT FOR TANK PLUG	
26966	HOLE CLOSING PLUG	
25266	FLAT GASKET 18 X 10 X 2	
27155	PLASTIC NUT10 M	
25831	PLATE FOR SELFTHREAD. SCREW SIDES 7	

Door Components

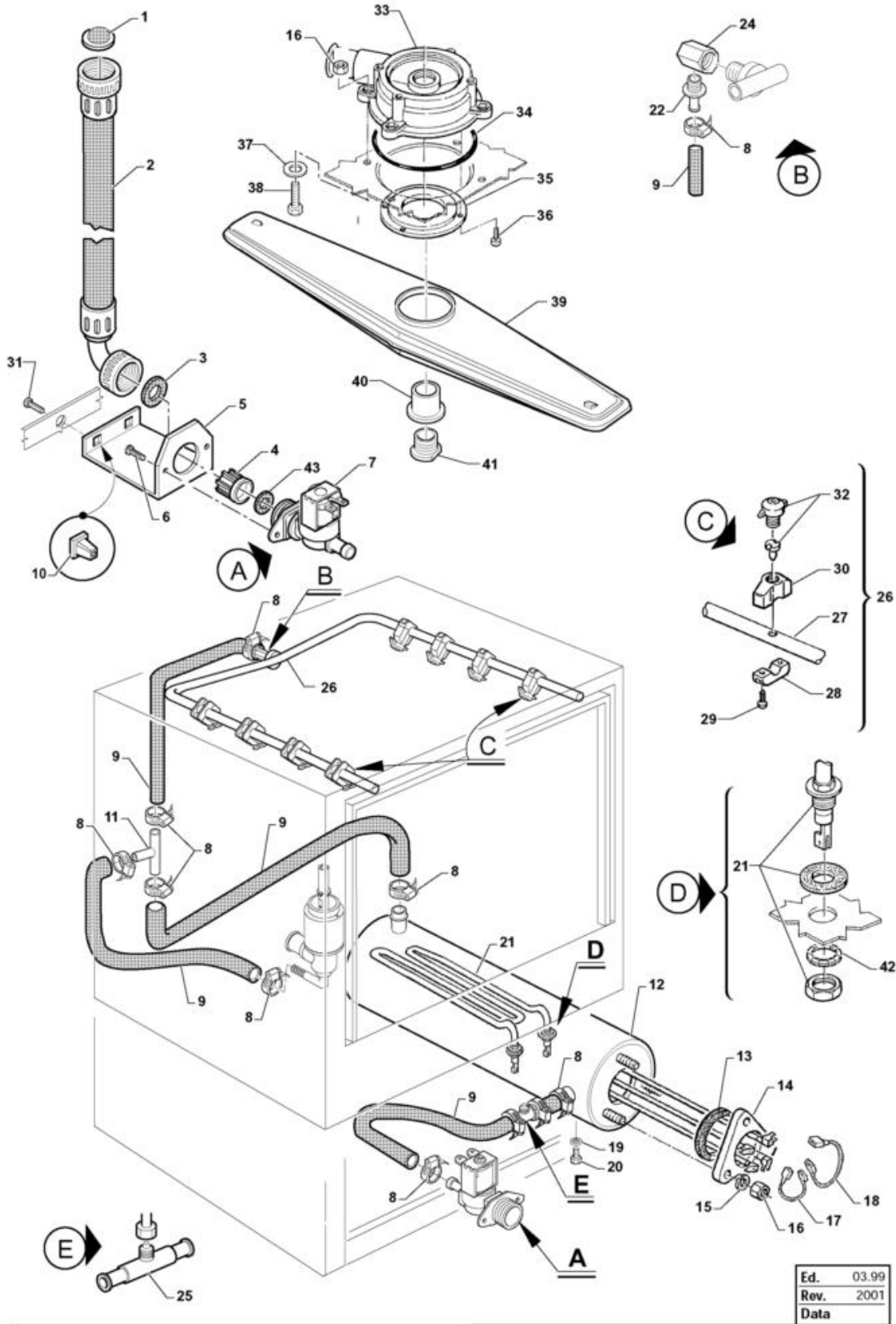
Code	Description	
33246	NAMEPLATE, DISPENS.NEUTR.BLUE	
33711	NAMEPLATE, FRONT PANEL C 60	
33712	NAMEPLATE, FRONT PANEL C 60 D	
331211	PIEDINO REGOLABILE PER NAVE	
25791	SELF-LOCKING NUT 5 MA LOWER SIDE	
160838	ANELLO PER PERNO PORTA	
190619	FERMO TIRANTE PORTA B-F-R	
331461	PIASTRINA PER TIRANTE X 34142	
34142	ROD FOR DOOR 43-53	
34144	ROD FOR DOOR 60-80	
34143	PIN FOR ROD DOOR	
34470	RUBBER PROTECT.CORNER, TANK LABYR.	
34015	PLUG END HANDLE, LEFT	
34016	PLUG END HANDLE, RIGHT	
36059	BASKET GUIDE APS/STS/C 60/02	
25775	NUT 6 MA	
35304	TOOTHED WASHER DIA.6	
25745	SPACER, FLAT, DIAM.6	
25715	SCREW HEX.HD M 6 X 16 SS	
160836	RONDELLA GRANO PORTA-BC/BR143	



Ed.	03.99
Rev.	2001
Data	

Electrical Components

Code	Description	
33713	NAMEPLATE, CONTROLS C 43	
33715	NAMEPLATE, CONTROLS C 48	
33717	NAMEPLATE, CONTROLS C 53	
33719	NAMEPLATE, CONTROLS C 60	
32970	BEVEL, CROSS-SLOT HD. SCREW TS 3 X	
30347	TIMER P26/2-3CR-120"-220V	
31324	NOISE FILTER, TYPE 5001	
33324	RELAY, JA 1CIM-220 VAC-DARE34312	
34312	T.RELAY A2S FA 16A 230V	
33188	MAGNETIC SENSOR	
31828	DENTED ROUND SPACER, EX ? 3	
25831	PLATE FOR SELFTHREAD. SCREW SIDES 7	
25697	SELF-TAPPING SCREW CHEESE D747H.ROS	
32872	SWITCH SA SINGLE POLE D	
33247	SUPPORT LAMP HOLDER, BRIGHT GREY	
32890	BRIGHT GREY PUSH-BUTTON,	
32916	PLUG D 16	
29529	UNIPOLAR PUSHBUTTON NA	
32892	NEON LIGHT BULB "GREEN" FL-T FM6,3	
28870	PILOT LIGHT BULB -LUX FM6,3 230V.	
32891	LIGHT BULB HOLDER	
32867	CAP, ?16 "RED"	
34198	COVER, D16 "BLUE"	
32869	CAP, ?16"ORANGE"	
32868	CAP, ?16"GREEN"	
34088	PROTECT. CONTROLS ELECTR.APPL. C/CR	
34046	NYLON ROIPE, DRAWER LIMIT STOP	
31873	REMOTE SWITCH 220-240V- B6-30-10	
25777	NUTS 3 MA	
25744	SPACER, FLAT, DIAM.5	
25774	NUTS 5 MA	
25716	SCREW HEX.HD M 6 X 20 SS	
25723	SCREW HEX.HD 6 X 20 BRASS	
25775	NUT 6 MA	
25700	SCREW CHEESE-H. 4 X 8 KNURLED	
25757	TOOTHED SPACER DIAM. 12 D.E.D787	
25782	NUT 8 MA	
25773	NUTS 4 MA SS 18/8	
34357	TRANSFORM.100VA115\200\400\440S.230	
34402	TIMER P26/15 4CR 120"-230V.	
31171	PRESSURE SWITCH, RATED 28/12+-3	
34305	CABLE RACEWAY STEAB 6211/16/21	
34236	PILOT LIGHT, BLUE BULB 230V	
25745	SPACER, FLAT, DIAM.6	
25751	SPACER. SPLITTED, DIAM. 8	

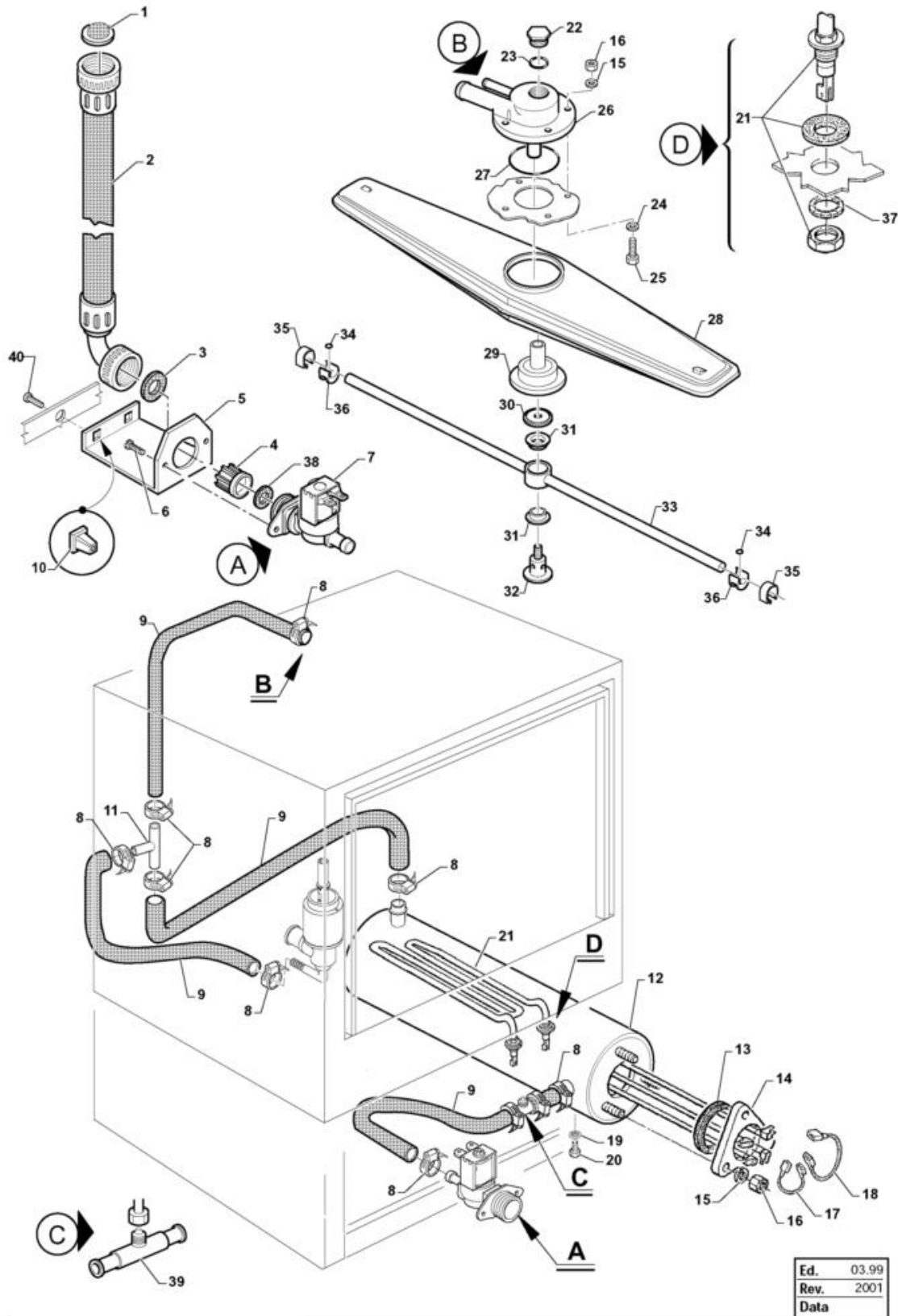


Upper Rinse / Boiler

Code	Description	
30541	FILTER ON FILLING HOSE 3/4"	
25235	INLET HOSE 3/4" 60 ATE	
25269	FLAT GASKET	
26981	FILTER X SOLENOID V.T/N	
17901	SOLENOID VALVE HOLDER	
25700	SCREW CHEESE-H. 4 X 8 KNURLED	
26629	SOLENOID VALVE, SING.3/4" T/N	
25803	HOSE CLIP 13-20 ABA	
00182	HOSE 11X19 CASER/15"BLUE"	
28880	NUT SCREW	
33276	T-SHAPED CONNECTOR ?11,5-PART180413	
33582	BOILER CPL STS 53/60	
34596	BOILER CPL C-ST5 53-60 /98	
29938	GASKET OR 6150	
25357	HEATING ELEM. BOOST.4000W 230V	
34354	HEATING ELEM., BOILER 4000 W. 440V.	
25750	SPACER, SPLITTED, DIAM. 6	
25775	NUT 6 MA	
25575	JUMPER L=100, 2,5 mm2 BLUE	
25576	JUMPER L=170, 2,5 mm2, RED	
25274	FLAT GASKET 12 X 6 X 2	
26863	HEX HD SCREW 6 X 8 STAINLESS S.	
30443	HEATING EL., TANK 2000 W-230 V	
34355	HEATING ELEM., TANK 2000 W. 440V.	
25036	HOSE FITTING	
34767	BRASS HOSE FITTING M.14 X 1	
17933	DISTANCE. THREADED INT. 14X1	
34155	FITTING, RINSE DELIVERY	
33817	T-CONNECTOR FOR DISPENS. HOONV.	
33776	RINSE ARM FIXED 53	
33821	FIXED RINSE ARM 60	
31313	HOSE CLIP FOR RINSE NIPPLES	
25714	SELF-TAPPING SCREW TC 2,9X9,5 SS	
31314	NIPPLES RINSE JETS	
25697	SELF-TAPPING SCREW CHEESE D747H.ROS	
22155	RINSE JET O 1,5 PREASS.	
31470	BOX, UPP. WASH. FOR T.D. 53	
31057	GASKET OR	
30664	COVER, LOWER TURBO WASH BOX	
29535	SELF-TAPPING CHEESE HD. SCREW 2,9 X	
25090	FLAT SPACER 5X13X1, NYLON	
25715	SCREW HEX.HD M 6 X 16 SS	
17975	WASHARM LOWER 48 SUP53	
33586	WASHARM UPP./LOW. 60	
17972	CENTR.BUSH SPRING, UPP.WASHARM.	

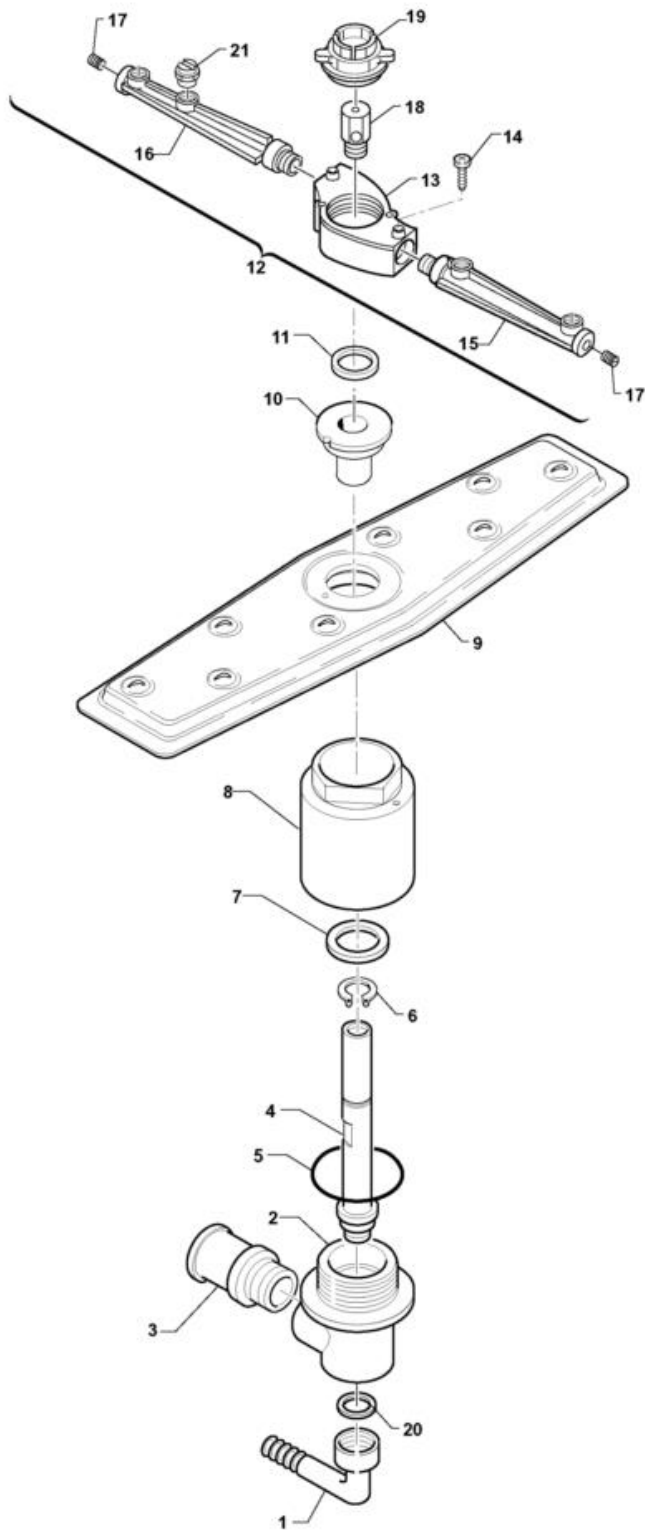
Upper Rinse / Boiler

Code	Description	
32398	NUT FOR WASH BOX PIN,CLOSED	
25757	TOOTHED SPACER DIAM. 12 D.E.D787	
34133	CONTROL QTY 14 LT.	



Code	Description	
30541	FILTER ON FILLING HOSE 3/4"	
25235	INLET HOSE 3/4" 60 ATE	
25269	FLAT GASKET	
26981	FILTER X SOLENOID V.T/N	
17901	SOLENOID VALVE HOLDER	
25700	SCREW CHEESE-H. 4 X 8 KNURLED	
26629	SOLENOID VALVE, SING.3/4" T/N	
25803	HOSE CLIP 13-20 ABA	
00182	HOSE 11X19 CASER/15"BLUE"	
28880	NUT SCREW	
33276	T-SHAPED CONNECTOR ?11,5-PART180413	
33582	BOILER CPL STS 53/60	
34596	BOILER CPL C-ST5 53-60 /98	
29938	GASKET OR 6150	
25357	HEATING ELEM. BOOST.4000W 230V	
34354	HEATING ELEM., BOILER 4000 W. 440V.	
25750	SPACER, SPLITTED, DIAM. 6	
25775	NUT 6 MA	
25575	JUMPER L=100, 2,5 mm2 BLUE	
25576	JUMPER L=170, 2,5 mm2, RED	
25274	FLAT GASKET 12 X 6 X 2	
26863	HEX HD SCREW 6 X 8 STAINLESS S.	
30443	HEATING EL., TANK 2000 W-230 V	
34355	HEATING ELEM., TANK 2000 W. 440V.	
160769	TAPPO 1/2" X SUPPORTO MULIN.	
34332	GASKET OR 128 SUPP.PLUG	
30940	FLAT SPACER, BLACK, DIA. 6	
25715	SCREW HEX.HD M 6 X 16 SS	
34314	HOLDER WASHARM UPP. C-ST5	
200820	GUARN.OR 5,33X46,99X57,6	
33586	WASHARM UPP./LOW. 60	
34262	CENTRAL BUSH SPRING H.28 UPPER ROT	
34382	DISTANCE WASHER RINSE LEFT TURNING	
34383	BUSH SPRING HUB, RINSE ROT.ARM	
34384	PIN, RINSE ROT.ARM	
34387	RINSE ARM 53-60 R. S/ FRONT.	
34360	GASKET OR 7 X 1 NBR 70	
34293	JET LOCK SPRING	
34264	RINSE JET WITH SPRING	
25757	TOOTHED SPACER DIAM. 12 D.E.D787	
34133	CONTROL QTY 14 LT.	
33817	T-CONNECTOR FOR DISPENS. HOONV.	
25697	SELF-TAPPING SCREW CHEESE D747H.ROS	

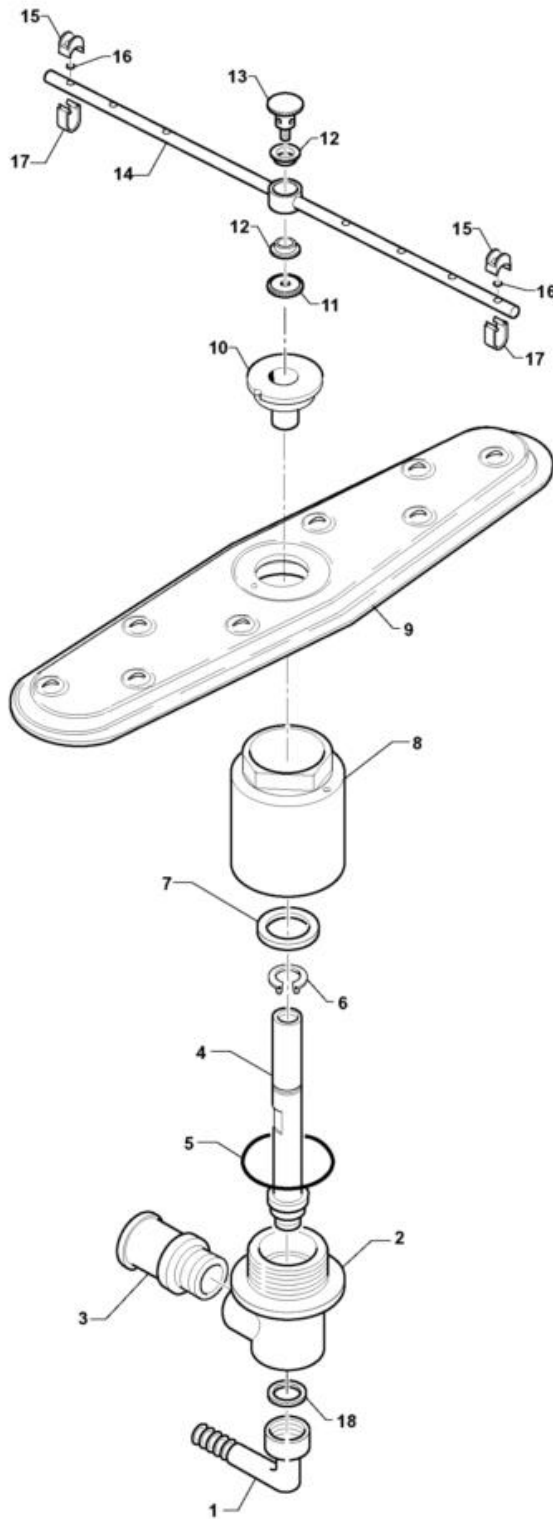
Bottom Wash And Rinse Arms



Ed.	03.99
Rev.	2001
Data	

Bottom Wash And Rinse Arms

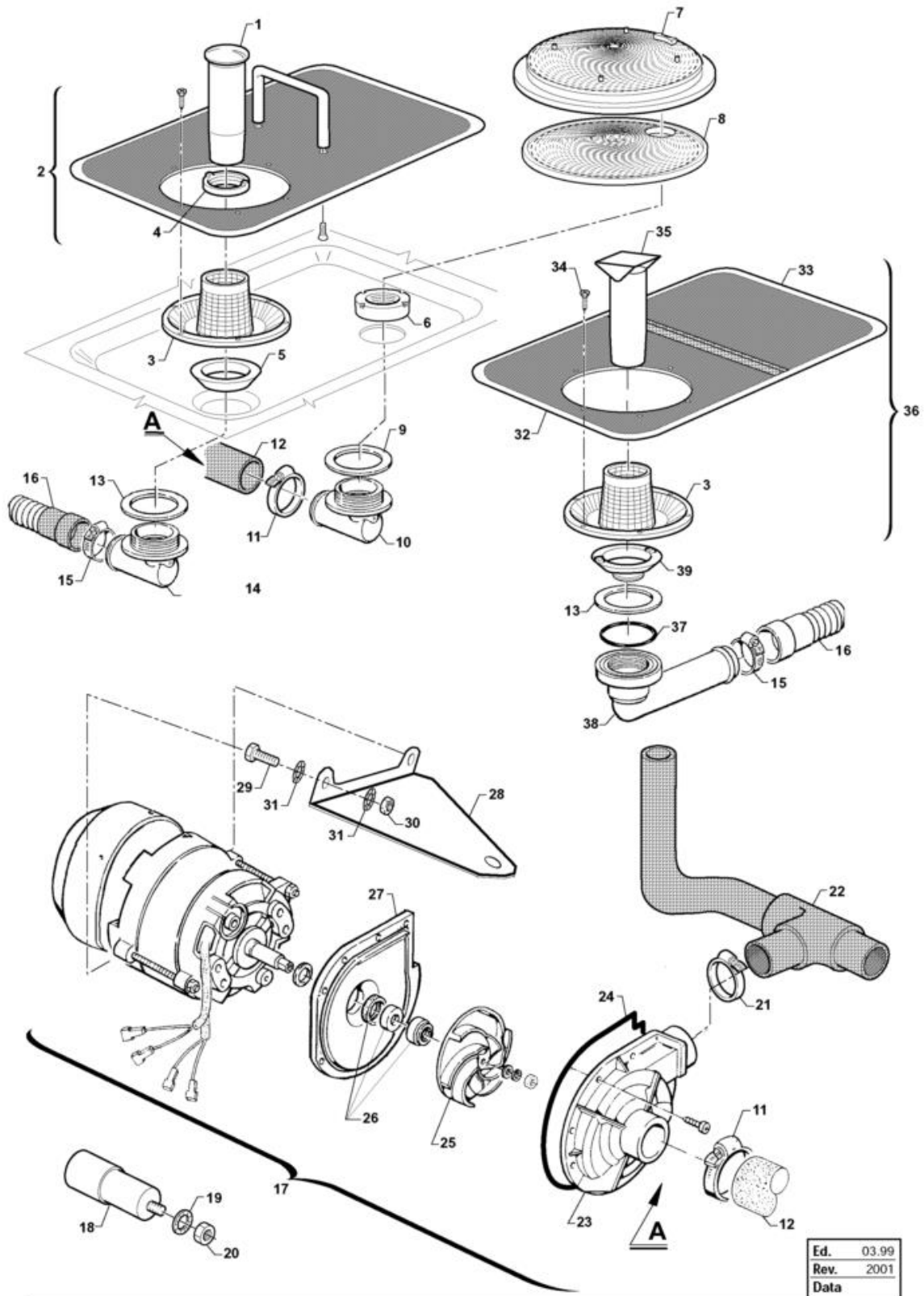
Code	Description	
32352	HOSE FITTING, 90° ELBOW 1/4 F	
32350	WASH-RINSE SUPPORT BOTTOM HP	
33544	HOSE FITTING 1/2 "	
18825	LOWER RINSE SHAFT STS 53/60	
32310	GASKET OR 3200	
32923	SHAFT SNAP RING ? 14	
18345	SPACER RING	
32888	BUSH CENTR.REDUCT SPRING. 53/60	
33586	WASHARM UPP./LOW. 60	
18703	BUSH SPRING CENT. WASHARM LOW.STS	
33858	SPACER WASHER, WASH RINSE	
21865	RINSE ARM LOWER PREASS. 53/60	
32360	HP WASH-RINSE ARM BLOCK	
25684	SELF-TAPPING SCREW CHEESE-H. 2,9X9	
32405	RINSE ARM 5/1-6/S AP53	
32406	RINSE ARM5/1-6/S AP53	
30516	THREADED PLUG 9 X 1	
17917	DRIVE PIN AP 43/60	
32359	THREAD.PLUG, RINSE ARM STS/APS	
33346	DISC FOR CENTRAL SUPPORT	
29695	RINSE NOZZLE "BLACK"	



Ed.	03.99
Rev.	2001
Data	

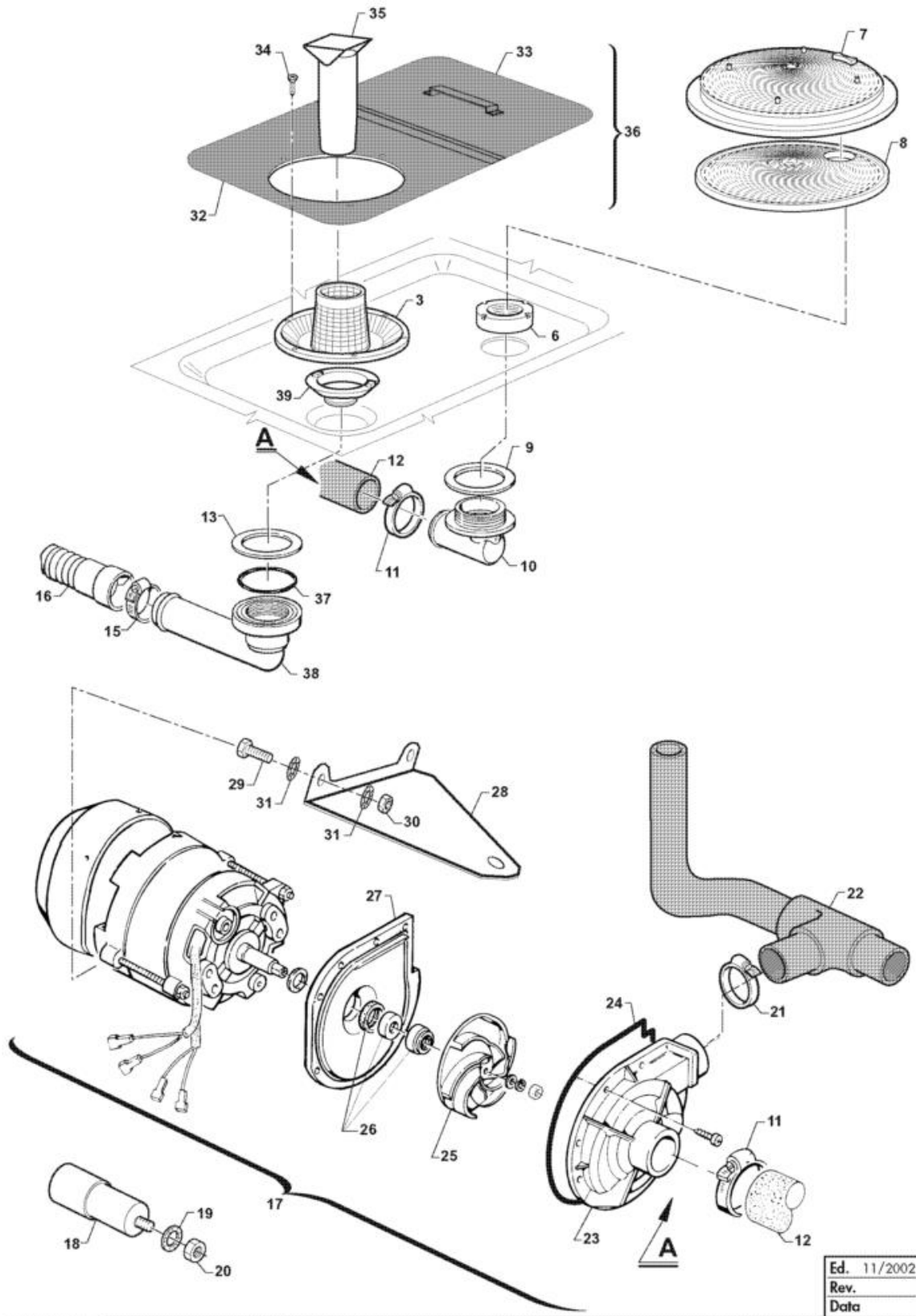
Bottom Wash And Rinse Arms / 98

Code	Description	
32352	HOSE FITTING, 90° ELBOW 1/4 F	
32350	WASH-RINSE SUPPORT BOTTOM HP	
33544	HOSE FITTING 1/2 "	
34397	LOW. RINSE SHAFT STS-C 53-60	
32310	GASKET OR 3200	
32923	SHAFT SNAP RING ? 14	
18345	SPACER RING	
32888	BUSH CENTR.REDUCT SPRING. 53/60	
33586	WASHARM UPP./LOW. 60	
18703	BUSH SPRING CENT. WASHARM LOW.STS	
34382	DISTANCE WASHER RINSE LEFT TURNING	
34383	BUSH SPRING HUB, RINSE ROT.ARM	
34384	PIN, RINSE ROT.ARM	
34387	RINSE ARM 53-60 R. S/ FRONT.	
34264	RINSE JET WITH SPRING	
34360	GASKET OR 7 X 1 NBR 70	
34293	JET LOCK SPRING	
33346	DISC FOR CENTRAL SUPPORT	



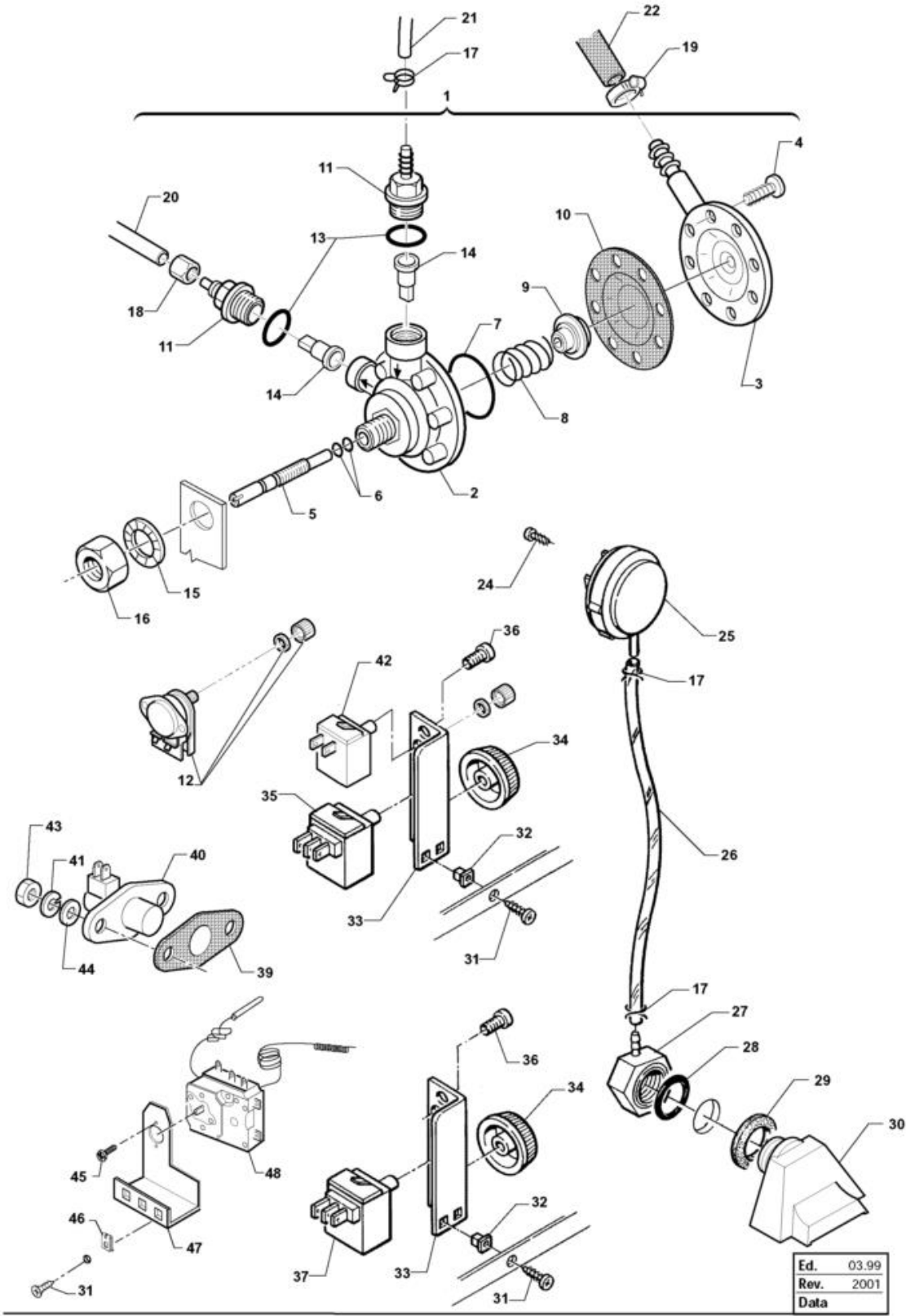
Filter / Drain / Wash Pump

Code	Description	
18903	OVERFLOW HOSE CPL STS-C 60	
22012/R	FILTER TANK PREASS. APS 60	
32719	COLLECTOR FILTER	
25009	NUT FOR OVERFLOW BUSH	
32717	NUT CONNECTION, DRAIN	
25006	NUT FO DRAIN SUCT. P.	
32796	COVER, ROUND FILTER	
32795	BOTTOM, ROUND FILTER	
31423	FLAT GASKET 65X51X3	
32715	90°SUCTION ELBOW FOR PUMP	
25809	HOSE CLIP 40-64CLAM	
32894	SUCTION SLEEVE.STS 60	
26637	FLAT GASKET 55 X 42 X 2	
32716	90°DRAIN ELBOW	
25807	HOSE CLIP 26-38 ABA	
27078	DRAIN HOSE, DIA.24X1500	
34170	WASH PUMP HP. 1 STS/C60 C80	
34356	WASH PUMP HP 1 440V3 60Hz	
34612	WASH PUMP HP. 1 400V3 50 HZ	
34173	CAPACITOR UF 16	
25757	TOOTHED SPACER DIAM. 12 D.E.D787	
25782	NUT 8 MA	
34828	CLAMP NR5 38-50, 9-MM WIDTH	
33583	OUTLET SLEEVE WASH 53/60	
26181	COVER WASH PUMP HP 0,5-0,75	
33849	PUMP HOUS.ZF340 LEFT A45/M40 HOSE F	
26224	GASKET, PUMP HOUSING	
33853	GASKET OR.SHAPED LARGE	
34524	IMPELLER LGB 0591 M8 LEFT ZF 340	
26194	SHAFT SEAL WASH P.HP0,25-0,5-0,75	
33181	SHAFT SEAL C3 (LGB)FOR PUMP CODE 32	
34525	FLANGE, LGB ZF 340	
34535	ADAPT.PLATE TO FIX PUMP LGB	
25705	SCREW HEX.HD M 5 X 16 SS 18/8	
25774	NUTS 5 MA	
25753	TOOTHED SPACER.DIAM.5 D.E.	
34610	FILTER TANK, LEFT	
34611	FILTER TANK, RIGHT	
25684	SELF-TAPPING SCREW CHEESE-H. 2,9X9	
34485	OVERFLOW TUBE STS 60 H=157	
35071	TANK FILTER, SPARE 60	
28226	GASKET OR 3181 FOR DRAIN LUG	
30421	DRAIN FITTING, LONG	
34790	DRAIN ELBOW SERIES 60	



Filter / Drain / Wash Pump

Code	Description	
32719	COLLECTOR FILTER	
25006	NUT FO DRAIN SUCT. P.	
32796	COVER, ROUND FILTER	
32795	BOTTOM, ROUND FILTER	
31423	FLAT GASKET 65X51X3	
32715	90°SUCTION ELBOW FOR PUMP	
25809	HOSE CLIP 40-64CLAM	
32894	SUCTION SLEEVE.STS 60	
26637	FLAT GASKET 55 X 42 X 2	
25807	HOSE CLIP 26-38 ABA	
27078	DRAIN HOSE, DIA.24X1500	
34170	WASH PUMP HP. 1 STS/C60 C80	
34356	WASH PUMP HP 1 440V3 60Hz	
34612	WASH PUMP HP. 1 400V3 50 HZ	
34173	CAPACITOR UF 16	
25757	TOOTHED SPACER DIAM. 12 D.E.D787	
25782	NUT 8 MA	
25808	HOSE CLIP 27-51CLAM	
33583	OUTLET SLEEVE WASH 53/60	
26181	COVER WASH PUMP HP 0,5-0,75	
26224	GASKET, PUMP HOUSING	
34524	IMPELLER LGB 0591 M8 LEFT ZF 340	
26194	SHAFT SEAL WASH P.HP0,25-0,5-0,75	
34525	FLANGE, LGB ZF 340	
34535	ADAPT.PLATE TO FIX PUMP LGB	
25705	SCREW HEX.HD M 5 X 16 SS 18/8	
25774	NUTS 5 MA	
25753	TOOTHED SPACER.DIAM.5 D.E.	
35896	TANK STRAINER LEFT S/S SERIES 60	
35895	TANK STRAINER, RIGHT S/S SERIES 60	
25684	SELF-TAPPING SCREW CHEESE-H. 2,9X9	
34485	OVERFLOW TUBE STS 60 H=157	
35933	FILTER TANK CPL C 6	
28226	GASKET OR 3181 FOR DRAIN LUG	
30421	DRAIN FITTING, LONG	
34790	DRAIN ELBOW SERIES 60	

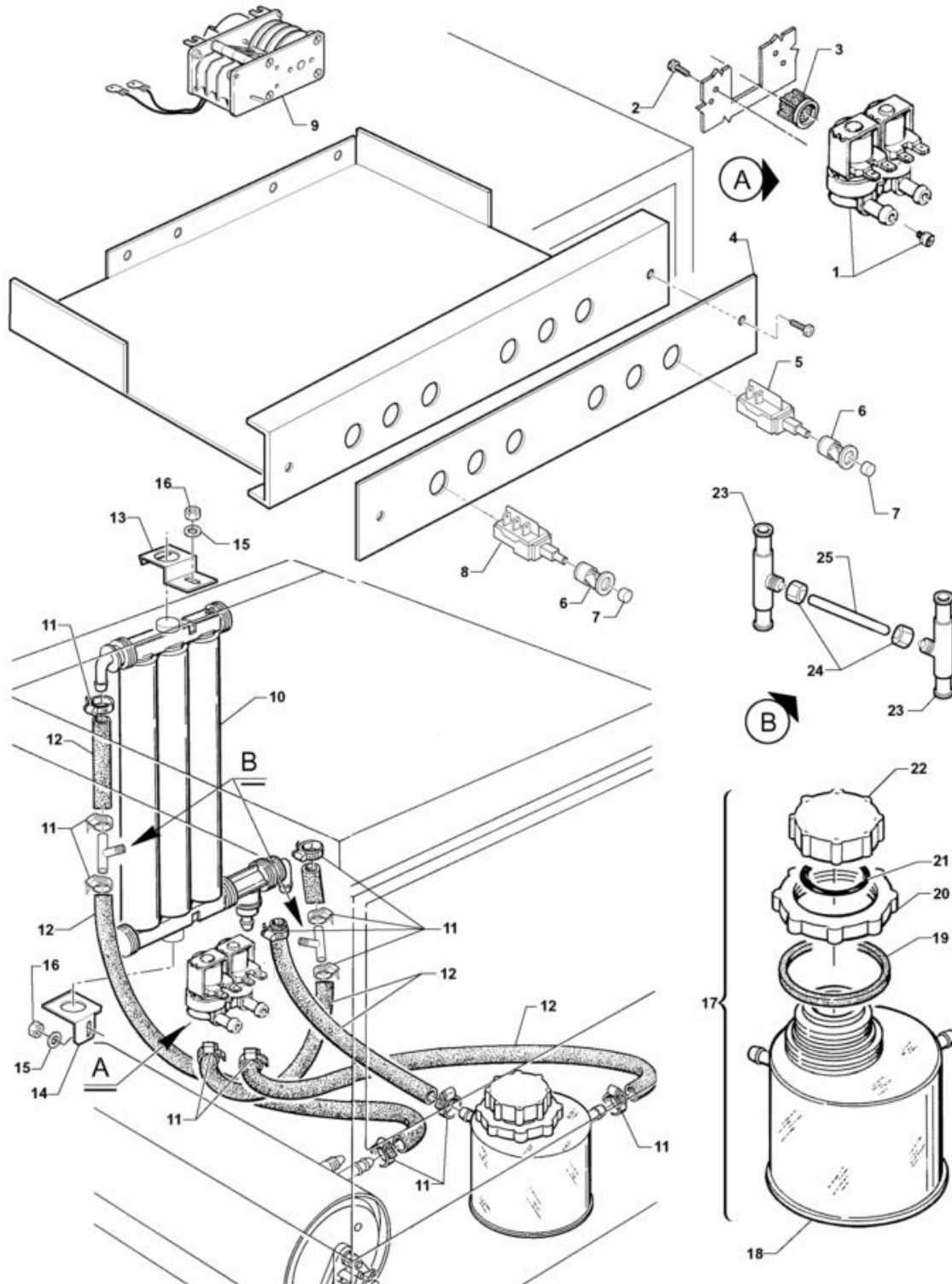


Rinsaid Pump/thermostats

Code	Description	
22060	RINSE AID DISP.PREASS."YELLOW"1?	
25046	UPPER DISPENSER ASSEMBLY	
25047	LOWER DISPENSER ASSEMBLY	
25697	SELF-TAPPING SCREW CHEESE D747H.ROS	
18394	SCREW CONTROL DISPENSER	
25251	GASKET OR 2012	
32243	GASKET OR 3156	
25818	CYLINDER SPRING (WIRE)	
31991	SPRING GUIDE FOR DISPENSER	
31596	DIAPHRAGM, DISPENSER	
32084	FITTING KIT, SUCT/DELIV.VLV RINSE A	
33906	THERMOSTAT DOUB.POLE 105? RANCO LM8	
32831	GASKET OR 2062	
25211	NON RETURN VALVE RINSE AID DISP.	
25757	TOOTHED SPACER DIAM. 12 D.E.D787	
15229	LOCK NUT AID DISPENSER	
34733	WIRE PIPE CLAMP FOR 9,8-10,1 PIPE	
15228	RING FOR RINSING SOLUTION TUBE	
25803	HOSE CLIP 13-20 ABA	
00162	ROLL TUBE 6X4 RILSAN	
00166	ROLL TUBE TRANSP. 4X7	
00182	HOSE 11X19 CASER/15"BLUE"	
26640	SCREW, PRESSURE SWITCH *	
31171	PRESSURE SWITCH, RATED 28/12+-3	
00181	SILICONE PRESSURE TUBE 4x7	
160121	TUBO GOMMA NERA 5X9 PRESSOST.	
25011	COVER X AIR TRAP	
25239	GASKET OR PB 701 3112 x AIR TRAP	
25263	FLAT GASKET 38 X 25 X 2 A.TRAP	
25010	AIR TRAP	
25697	SELF-TAPPING SCREW CHEESE D747H.ROS	
28880	NUT SCREW	
17955	DOUBLE SQUARE FOR PRESS.GAUGES	
25092	HANDLE, BLACK WHITE INDEX	
25417	THERMOSTAT 30-90? MT. 2	
25699	SCREW CHEESE-H. 4 X 6	
30939	THERMOSTAT 0-80?C C.1000	
200494	GUARNIZIONE X TERMOSTATO BIMET	
33948	BIMET. THERMOSTAT, DOUBLE CONTACT	
25752	TOOTHED SPACER DIAM.4 D.E.	
33745	LIMITER 110? MANUAL RESET	
25773	NUTS 4 MA SS 18/8	
25743	SPACER, FLAT, DIAM. 4	
25700	SCREW CHEESE-H. 4 X 8 KNURLED	
25831	PLATE FOR SELFTHREAD. SCREW SIDES 7	

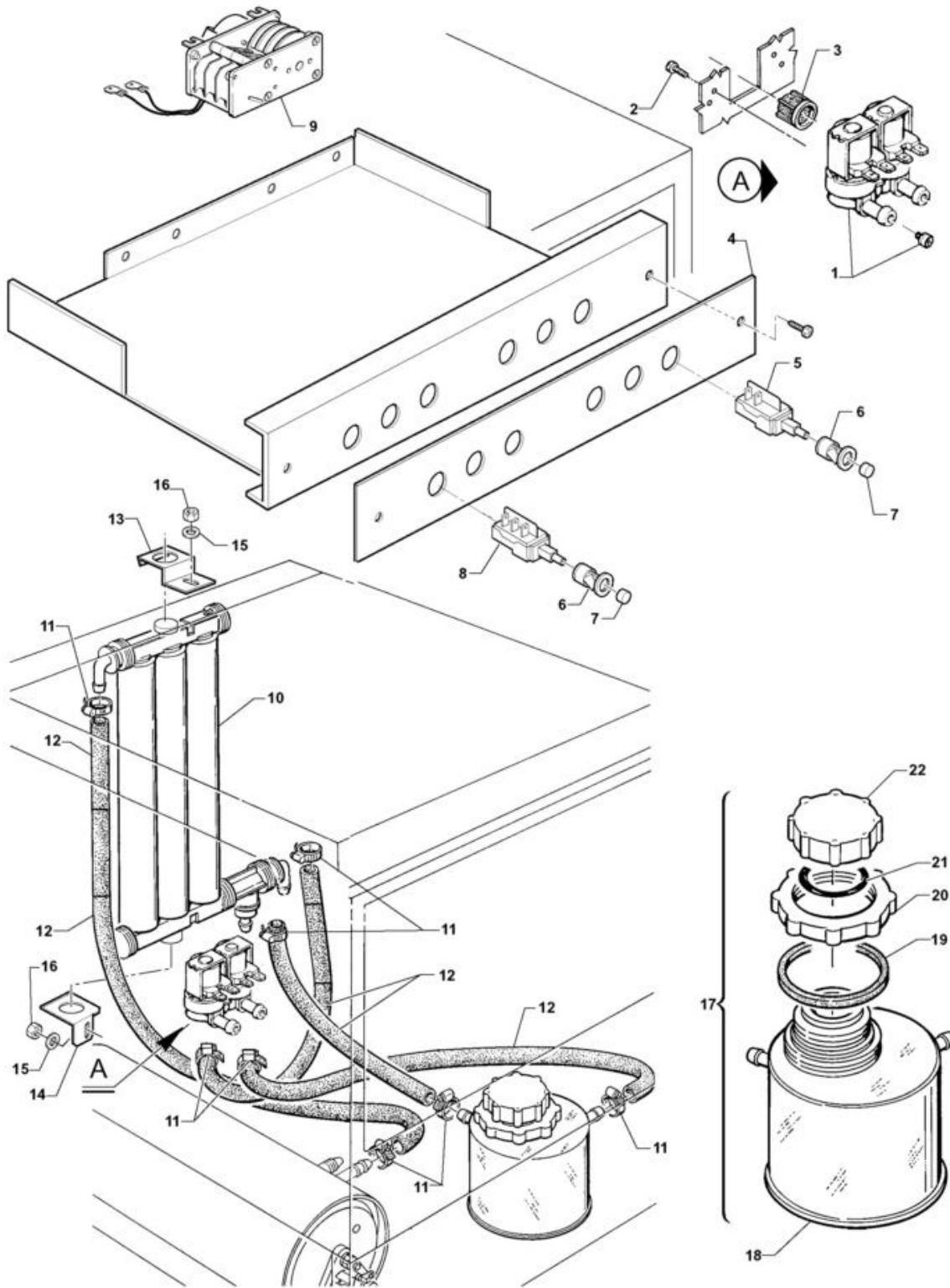
Rinsaid Pump/thermostats

Code	Description	
34678	BRACKET, THERMOSTAT COTHERM	
34534	THERMOSTAT ASS.COTHERM 87-109?	



Ed.	03.99
Rev.	2001
Data	

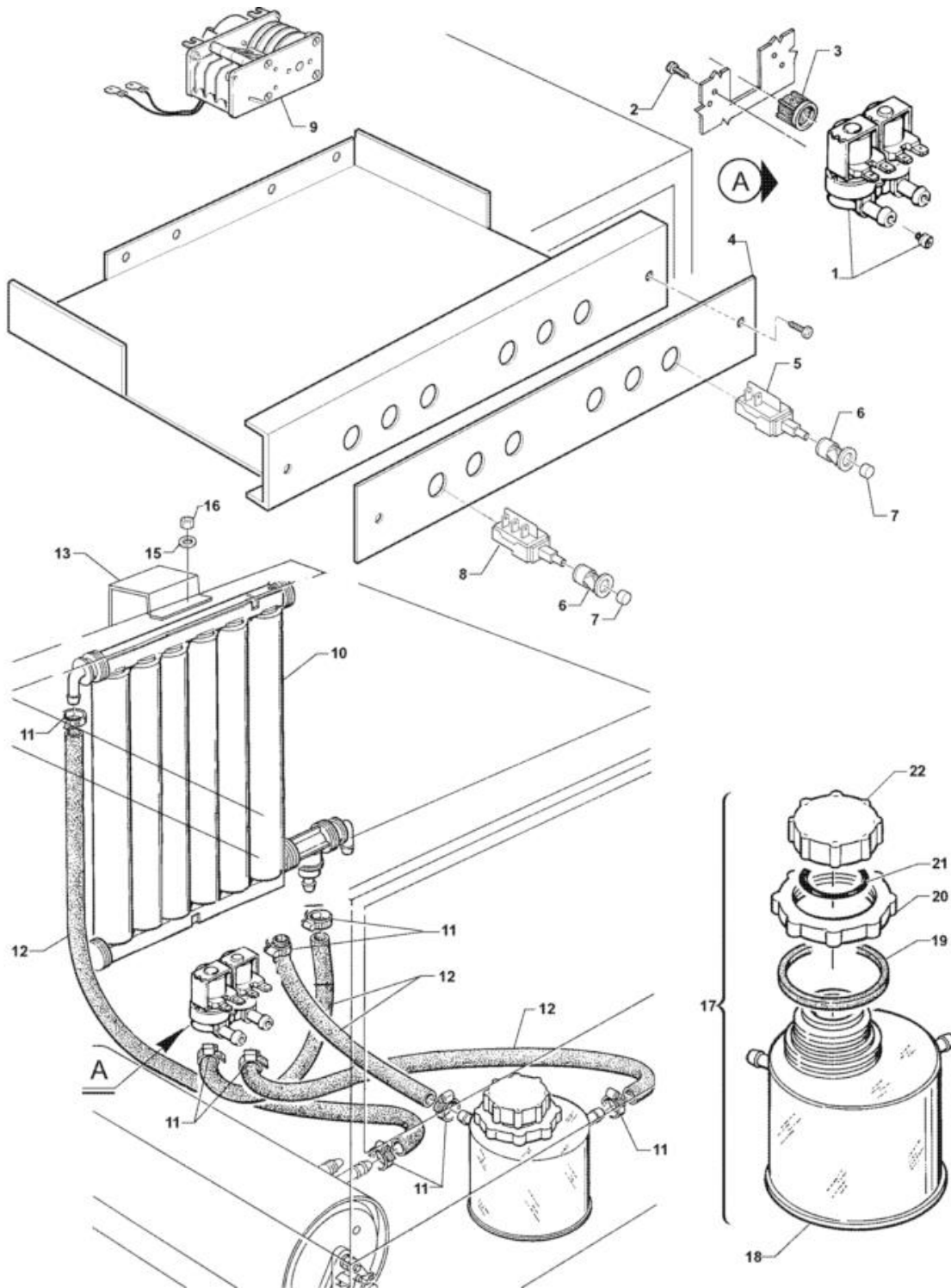
Code	Description	
33889	REDUCER, SOLENOID V. REGENER	
25700	SCREW CHEESE-H. 4 X 8 KNURLED	
26981	FILTER X SOLENOID V.T/N	
33713	NAMEPLATE, CONTROLS C 43	
33715	NAMEPLATE, CONTROLS C 48	
33717	NAMEPLATE, CONTROLS C 53	
33719	NAMEPLATE, CONTROLS C 60	
34201	NAMEPLATE, CONTROLS SPR 36 D	
34203	NAMEPLATE, CONTROLS SPR 41 D	
34206	NAMEPLATE, CONTROLS SP 40 D	
34208	NAMEPLATE, CONTROLS SP 45 D	
34210	NAMEPLATE, CONTROLS SP 50 D	
29529	UNIPOLAR PUSHBUTTON NA	
33247	SUPPORT LAMP HOLDER, BRIGHT GREY	
32890	BRIGHT GREY PUSH-BUTTON,	
33596	SWITCH, DOUB.POLE SAA1C14110	
26880	TIMER REGENERATION 20" X S/E NKD	
33590	WATER SOFTENER 3 COLUMNS	
25803	HOSE CLIP 13-20 ABA	
00182	HOSE 11X19 CASER/15"BLUE"	
33593	SUPP.BRACKET, UPPER DEPUR. STS	
33594	SUPP.BRACKET, LOWER DEPUR. STS	
25745	SPACER, FLAT, DIAM.6	
25774	NUTS 5 MA	
20151	SALT CONTAINER FOR SPARE PART 1Kg.	
25051	SALT CONTAINER COMPLETE	
25265	FLAT GASKET X RESERV. SALT	
25033	SALT NUT -> SEE 25051	
25246	GASKET OR X SALT CONTAIN.	
25034	PLUG, SALT CONTAIN. -> 25051	
33973	HOSE FITTING COM 180411	
33974	NUT FOR FITTING COM 180130	
33975	PIPE 6.5X1.1 COM 160117	



Ed.	03/2003
Rev.	
Data	

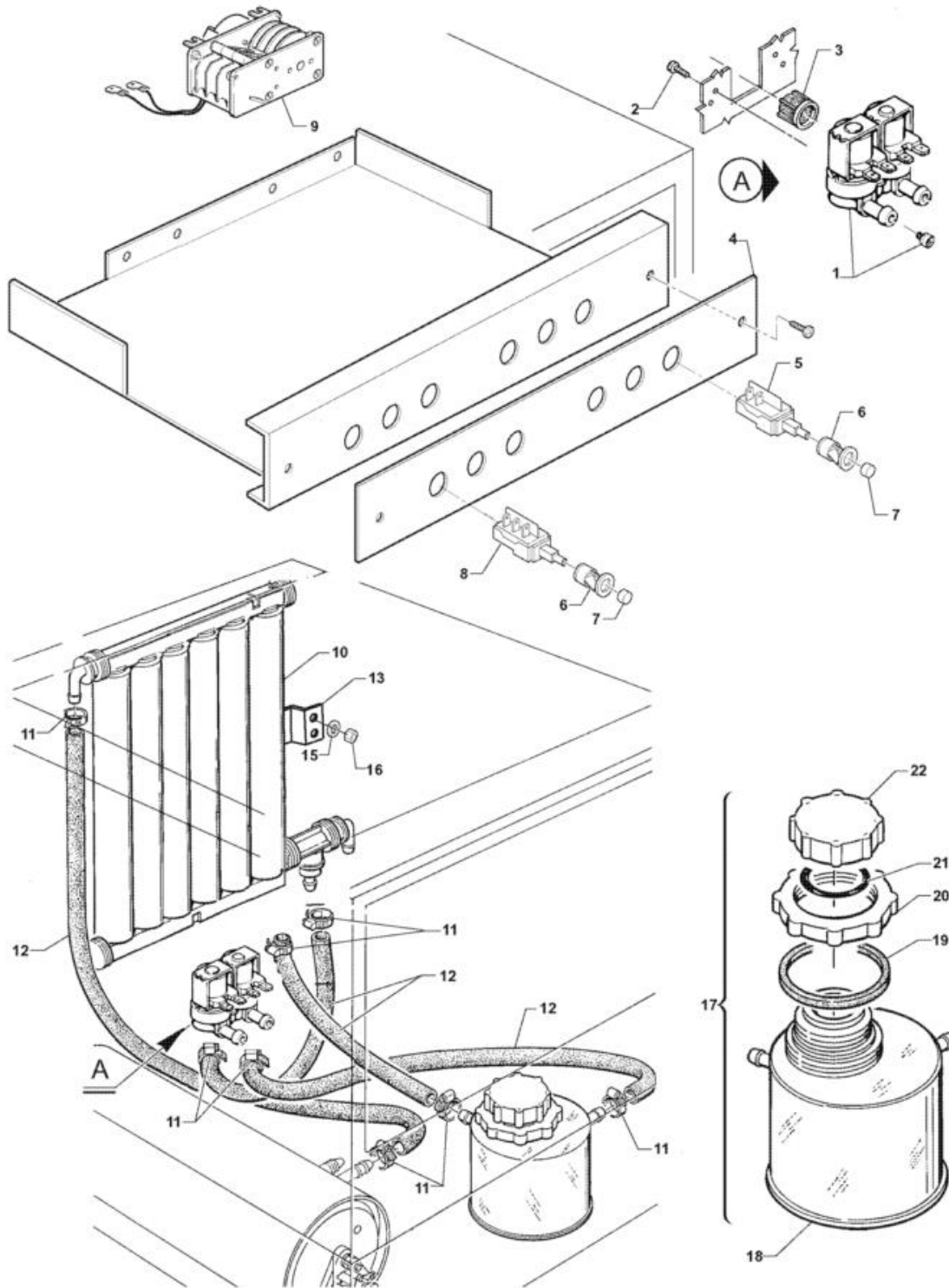
Water-softner without by-pass

Code	Description	
33889	REDUCER, SOLENOID V. REGENER	
25700	SCREW CHEESE-H. 4 X 8 KNURLED	
26981	FILTER X SOLENOID V.T/N	
33713	NAMEPLATE, CONTROLS C 43	
33715	NAMEPLATE, CONTROLS C 48	
33717	NAMEPLATE, CONTROLS C 53	
33719	NAMEPLATE, CONTROLS C 60	
34201	NAMEPLATE, CONTROLS SPR 36 D	
34203	NAMEPLATE, CONTROLS SPR 41 D	
34206	NAMEPLATE, CONTROLS SP 40 D	
34208	NAMEPLATE, CONTROLS SP 45 D	
34210	NAMEPLATE, CONTROLS SP 50 D	
29529	UNIPOLAR PUSHBUTTON NA	
33247	SUPPORT LAMP HOLDER, BRIGHT GREY	
32890	BRIGHT GREY PUSH-BUTTON,	
33596	SWITCH, DOUB.POLE SAA1C14110	
26880	TIMER REGENERATION 20" X S/E NKD	
33590	WATER SOFTENER 3 COLUMNS	
25803	HOSE CLIP 13-20 ABA	
00182	HOSE 11X19 CASER/15"BLUE"	
33593	SUPP.BRACKET, UPPER DEPUR. STS	
33594	SUPP.BRACKET, LOWER DEPUR. STS	
25745	SPACER, FLAT, DIAM.6	
25774	NUTS 5 MA	
20151	SALT CONTAINER FOR SPARE PART 1Kg.	
25051	SALT CONTAINER COMPLETE	
25265	FLAT GASKET X RESERV. SALT	
25033	SALT NUT -> SEE 25051	
25246	GASKET OR X SALT CONTAIN.	
25034	PLUG, SALT CONTAIN. -> 25051	



Ed.	03/04
Rev.	
Data	

Code	Description	
33889	REDUCER, SOLENOID V. REGENER	
25700	SCREW CHEESE-H. 4 X 8 KNURLED	
26981	FILTER X SOLENOID V.T/N	
33713	NAMEPLATE, CONTROLS C 43	
33715	NAMEPLATE, CONTROLS C 48	
33717	NAMEPLATE, CONTROLS C 53	
33719	NAMEPLATE, CONTROLS C 60	
34201	NAMEPLATE, CONTROLS SPR 36 D	
34203	NAMEPLATE, CONTROLS SPR 41 D	
34206	NAMEPLATE, CONTROLS SP 40 D	
34208	NAMEPLATE, CONTROLS SP 45 D	
34210	NAMEPLATE, CONTROLS SP 50 D	
29529	UNIPOLAR PUSHBUTTON NA	
33247	SUPPORT LAMP HOLDER, BRIGHT GREY	
32890	BRIGHT GREY PUSH-BUTTON,	
33596	SWITCH, DOUB.POLE SAA1C14110	
26880	TIMER REGENERATION 20" X S/E NKD	
36038	6-COLUMN SOFTENER	
25803	HOSE CLIP 13-20 ABA	
00182	HOSE 11X19 CASER/15"BLUE"	
36039	FIX.JUMPER, 6-COL. SOFTENER	
25745	SPACER, FLAT, DIAM.6	
25774	NUTS 5 MA	
20151	SALT CONTAINER FOR SPARE PART 1Kg.	
25051	SALT CONTAINER COMPLETE	
25265	FLAT GASKET X RESERV. SALT	
25033	SALT NUT -> SEE 25051	
25246	GASKET OR X SALT CONTAIN.	
25034	PLUG, SALT CONTAIN. -> 25051	



Ed.	03/04
Rev.	2005
Data	

Code	Description	
33889	REDUCER, SOLENOID V. REGENER	
25700	SCREW CHEESE-H. 4 X 8 KNURLED	
26981	FILTER X SOLENOID V.T/N	
33713	NAMEPLATE, CONTROLS C 43	
33715	NAMEPLATE, CONTROLS C 48	
33717	NAMEPLATE, CONTROLS C 53	
33719	NAMEPLATE, CONTROLS C 60	
34201	NAMEPLATE, CONTROLS SPR 36 D	
34203	NAMEPLATE, CONTROLS SPR 41 D	
34206	NAMEPLATE, CONTROLS SP 40 D	
34208	NAMEPLATE, CONTROLS SP 45 D	
34210	NAMEPLATE, CONTROLS SP 50 D	
29529	UNIPOLAR PUSHBUTTON NA	
33247	SUPPORT LAMP HOLDER, BRIGHT GREY	
32890	BRIGHT GREY PUSH-BUTTON,	
33596	SWITCH, DOUB.POLE SAA1C14110	
26880	TIMER REGENERATION 20" X S/E NKD	
36038	6-COLUMN SOFTENER	
25803	HOSE CLIP 13-20 ABA	
00182	HOSE 11X19 CASER/15"BLUE"	
36425	FIX.JUMPER, 6-COLUMN SOFTENER C60D	
25745	SPACER, FLAT, DIAM.6	
25774	NUTS 5 MA	
20151	SALT CONTAINER FOR SPARE PART 1Kg.	
25051	SALT CONTAINER COMPLETE	
25265	FLAT GASKET X RESERV. SALT	
25033	SALT NUT -> SEE 25051	
25246	GASKET OR X SALT CONTAIN.	
25034	PLUG, SALT CONTAIN. -> 25051	