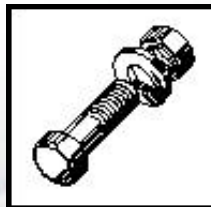




Gas Hobs

HG2S7 - HG4S7 - HG6S7



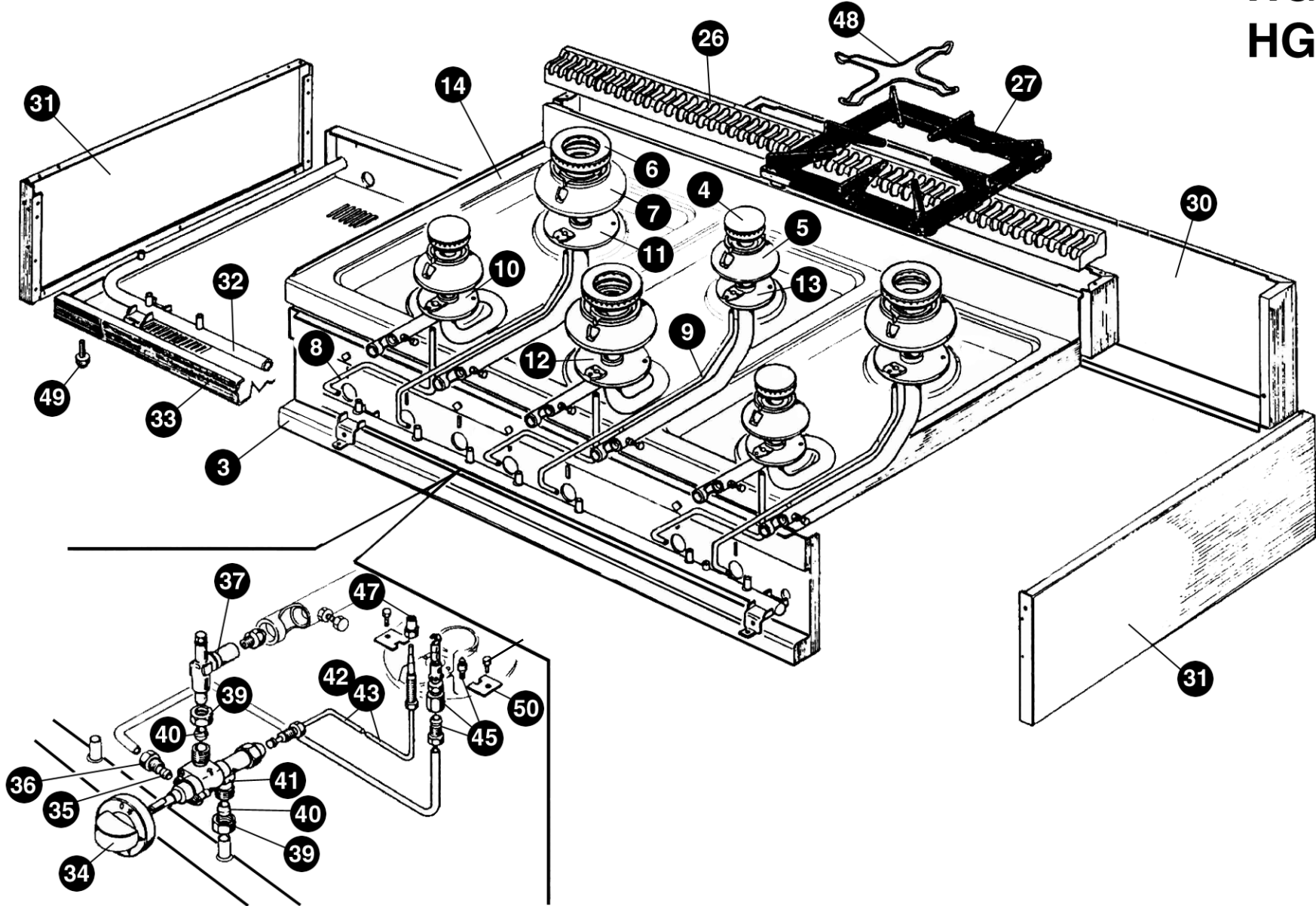
Spare Parts





Gas Hobs

HG2S7
HG4S7
HG6S7



NOTE:- Drawing shown - HG6S7

Key No	Part No	Description
3	GACU700141	CONTROL PANEL
4	RTCU700375	BURNER CAP 3,5 KW
5	RTCU700380	BURNER 3,5 KW
6	RTCU700376	BURNER CAP 6 KW
7	RTCU700382	BURNER 6 KW
8	PACU700572	FRONT BURNER PILOT PIPE
9	PACU700573	BACK BURNER PILOT PIPE
10	GACU700135	FRONT BURNER DISTRIBUT. PIPE 3,5 KW
11	GACU700138	TUBO ALIMENT. BRUCIAT. POST. 6 KW
14	PACU700591	WORK PLANE
26	GACU700115	CHIMNEY GRILL
27	RTCU700274	WORK PLANE GRATE
30	PACU700504	SUPERIOR CHIMNEY
31	PACU700503	SIDE
32	RTCU700402	COLLECTOR
33	PACU700502	BOTTOM
34	RTCU700308	SAFETY VALVE KNOB
35	RTCU900018	BICONE FOR PIPE Ø 6
36	RTCU900019	NUT FOR PIPE Ø 6
37	RTCU700325	INJECTOR SUPPORT
39	RTCU700297	NUT FOR PIPE Ø 10
40	RTCU900012	DOUBLE CONE D.10
41	RTCU700259	TAP
42	RTCU700373	THERMOCOUPLE CM. 30
43	RTCU700374	THERMOCOUPLE CM. 50
45	RTCU700372	PILOT
47	RTCU700389	PILOT PILOT INJECTOR Ø 0,21
48	RTCU700028	REDUCTION GRATE
49	RTCU700324	FOOT
50	RTCU700407	PILOT PLATE

Key No	Part No	Description
3	GACU700140	CONTROL PANEL
4	RTCU700375	BURNER CAP 3,5 KW
5	RTCU700380	BURNER 3,5 KW
6	RTCU700376	BURNER CAP 6 KW
7	RTCU700382	BURNER 6 KW
8	PACU700572	FRONT BURNER PILOT PIPE
9	PACU700573	BACK BURNER PILOT PIPE
10	GACU700135	FRONT BURNER DISTRIB. PIPE 3,5 KW
11	GACU700138	TUBO ALIMENT. BRUCIAT. POST. 6 KW
12	GACU700136	FRONT BURNER DISTRIB. PIPE 6 KW
13	GACU700137	BACH BURNER DISTRIB. PIPE 3,5 KW
26	GACU700118	CHIMNEY GRILL
27	RTCU700274	WORK PLANE GRATE
30	PACU700525	SUPERIOR CHIMNEY
31	PACU700503	SIDE
32	RTCU700401	COLLECTOR
33	PACU700521	BOTTOM
34	RTCU700308	SAFETY VALVE KNOB
35	RTCU900018	BICONE FOR PIPE Ø 6
36	RTCU900019	NUT FOR PIPE Ø 6
37	RTCU700325	INJECTOR SUPPORT
39	RTCU700297	NUT FOR PIPE Ø 10
40	RTCU900012	DOUBLE CONE D.10
41	RTCU700259	TAP
42	RTCU700373	THERMOCOUPLE CM. 30
43	RTCU700374	THERMOCOUPLE CM. 50
45	RTCU700372	PILOT
47	RTCU700389	PILOT PILOT INJECTOR Ø 0,21
48	RTCU700028	REDUCTION GRATE
49	RTCU700324	FOOT
50	RTCU700407	PILOT PLATE

Key No	Part No	Description
3	GACU700143	CONTROL PANEL
4	RTCU700375	BURNER CAP 3,5 KW
5	RTCU700380	BURNER 3,5 KW
6	RTCU700376	BURNER CAP 6 KW
7	RTCU700382	BURNER 6 KW
8	PACU700572	FRONT BURNER PILOT PIPE
9	PACU700573	BACK BURNER PILOT PIPE
10	GACU700135	FRONT BURNER DISTRIB. PIPE 3,5 KW
11	GACU700138	TUBO ALIMENT. BRUCIAT. POST. 6 KW
12	GACU700136	FRONT BURNER DISTRIB. PIPE 6 KW
13	GACU700137	BACH BURNER DISTRIB. PIPE 3,5 KW
14	PACU700596	WORK PLANE
26	GACU700142	CHIMNEY GRILL
27	RTCU700274	WORK PLANE GRATE
30	PACU700594	SUPERIOR CHIMNEY
31	PACU700503	SIDE
32	RTCU700371	COLLECTOR
33	PACU700595	BOTTON
34	RTCU700308	SAFETY VALVE KNOB
35	RTCU900018	BICONE FOR PIPE Ø 6
36	RTCU900019	NUT FOR PIPE Ø 6
37	RTCU700325	INJECTOR SUPPORT
39	RTCU700297	NUT FOR PIPE Ø 10
40	RTCU900012	DOUBLE CONE D.10
41	RTCU700259	TAP
42	RTCU700373	THERMOCOUPLE CM. 30
43	RTCU700374	THERMOCOUPLE CM. 50
45	RTCU700372	PILOT
47	RTCU700389	PILOT PILOT INJECTOR Ø 0,21
48	RTCU700028	REDUCTION GRATE
49	RTCU700324	FOOT
50	RTCU700407	PILOT PLATE



As continued product improvement is a policy of HOBART, specifications are subject to change with-out notice.

15.09.2003-Issue-1