

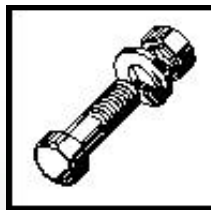


## *Pasta Cookers*

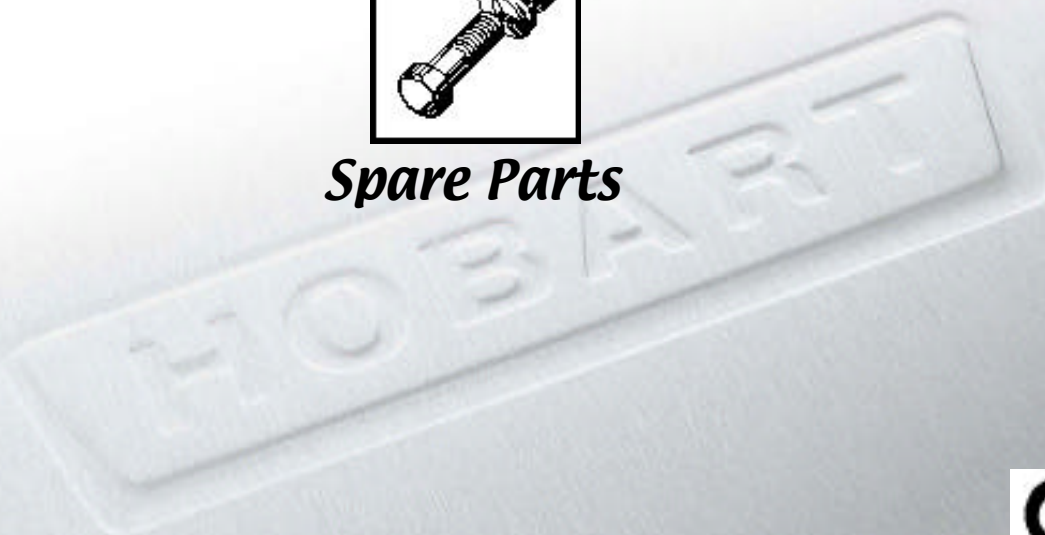
*(Gas)*

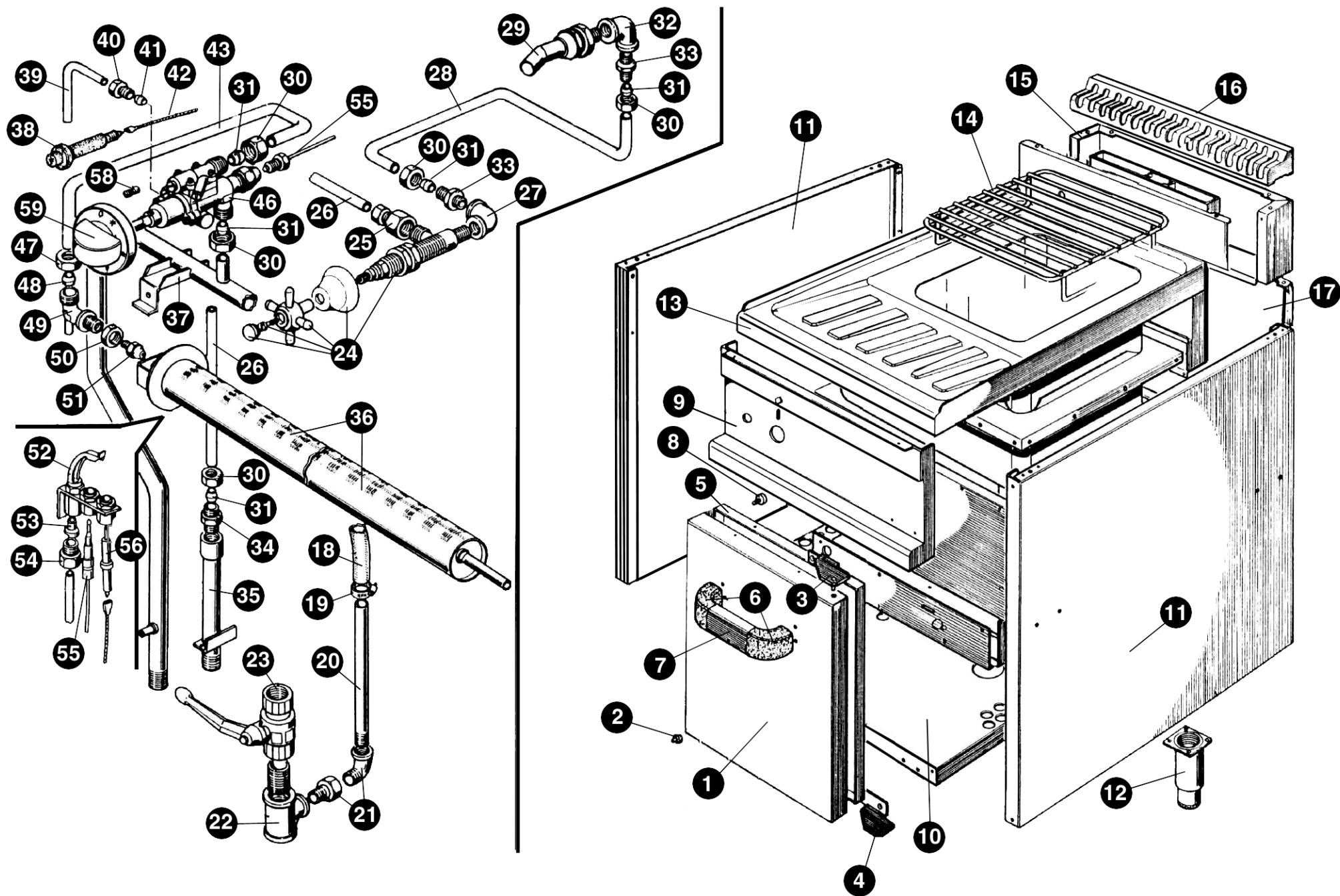
**HGC47**

**HGC77**



*Spare Parts*

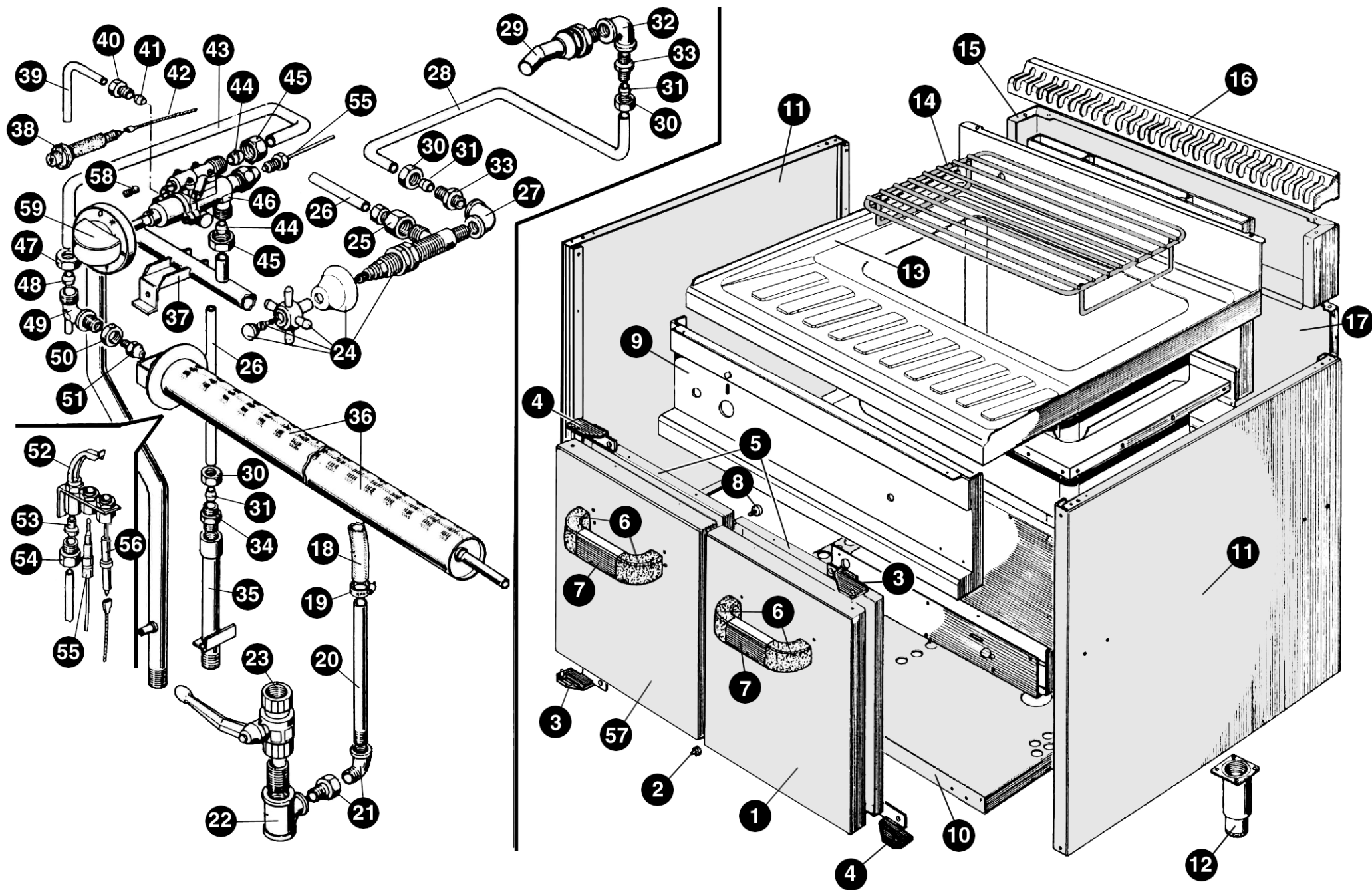




<b>Key No</b>	<b>Part No</b>	<b>Description</b>
1	PACU700422	RIGHT DOOR
2	RTBF800021	RUBBER CUP
3	GACU700112	LEFT HINGE CUPBOARD DOOR
4	GACU700113	RIGHT HINGE CUPBOARD DOOR
5		
6	RTCU700291	HANDLE
7	PACU700421	CUPBOARD DOOR HANDLE
8	RTTAV00093	MAGNETIC CONNECTION
9	GACU700114	CONTROL PANEL
10	PACU700419	BOTTOM
11	PACU700424	SIDE
12	RTCU700277	STAINLESS STEEL FOOT
13	GACU700111	TANK
14	RTCU700286	GRATE FOR BASKET
15	PACU700440	SUPERIOR CHIMNEY
16	GACU700115	CHIMNEY GRILL
17	PACU700423	STAINLESS STEEL BACK PANEL
18		
19	RTBF800171	METAL CLAMP
20	RTCU700322	WATER DISCHARGE PIPE
21	RTCP900066	COMPLET ELBOW 1/2"
22	RTCU700323	T FITTING
23	RTBF800073	WATER DISCHARGE TAP
24	RTCP800018	WATER TAP
25	RTBF800126	NIPLES FOR PIPE Ø 10
26	PACU700411	TAP FEEDING PIPE
27	RTBF800071	ELBOW 1/2" G
28	PACU700410	WATER FEEDING PIPE
29	RTCU700319	WATER DISTRIBUTOR
30	RTCU900013	NUT
31	RTCU900012	DOUBLE CONE D.10
32	RTCU900121	ELBOW FF 3/8 " G
33	RTCU900103	NIPLES
34	RTCU900132	NIPLES 3/8"X1/2"
35	GACP900023	WATER CONNECTION
36	RTBF800048	BURNER
37	RTCU700317	FEEDING COLLECTOR
38	RTCU700020	PIEZO LIGHTING
39	PACU700413	PILOT PIPE
40	RTCU900019	NUT FOR PIPE Ø 6
41	RTCU900018	BICONE FOR PIPE Ø 6
42		
43	PACU700412	BURNER FEEDING PIPE
44		
45		



Key No	Part No	Description
46	RTCU700259	TAP
47		
48		
49		
50	RTCU900005	SUPPORT LOCK NUT
51		
52	RTCP800034	PILOT BODY
53		
54	RTCP800038	THERMOCOUPLE FITTING
55	RTCU900474	TERMOCOUPLE CM. 75
56	RTCP800033	SPARK PLUG
57		



<b>Key No</b>	<b>Part No</b>	<b>Description</b>
1	PACU700483	RIGHT DOOR
2	RTBF800021	RUBBER CUP
3	GACU700112	LEFT HINGE CUPBOARD DOOR
4	GACU700113	RIGHT HINGE CUPBOARD DOOR
5	PACU700482	COUNTER DOOR
6	RTCU700291	HANDLE
7	PACU700421	CUPBOARD DOOR HANDLE
8	RTTAV00093	MAGNETIC CONNECTION
9	GACU700117	CONTROL PANEL
10	PACU700481	BOTTOM
11	PACU700424	SIDE
12	RTCU700277	STAINLESS STEEL FOOT
13	GACU700116	TANK
14	RTCU700287	GRATE FOR BASKET
15	PACU700492	SUPERIOR CHIMNEY
16	GACU700118	CHIMNEY GRILL
17	PACU700485	STAINLESS STEEL BACK PANEL
18		
19	RTBF800171	METAL CLAMP
20	RTCU700322	WATER DISCHARGE PIPE
21	RTCP900066	COMPLET ELBOW 1/2"
22	RTCU700323	T FITTING
23	RTBF800073	WATER DISCHARGE TAP
24	RTCP800018	WATER TAP
25	RTBF800126	NIPLES FOR PIPE Ø 10
26		
27	RTBF800071	ELBOW 1/2" G
28	PACU700497	WATER FEEDING PIPE
29	RTCU700319	WATER DISTRIBUTOR
30	RTCU900013	NUT
31	RTCU900012	DOUBLE CONE D.10
32	RTCU900121	ELBOW FF 3/8 " G
33	RTCU900103	NIPLES
34	RTCU900132	NIPLES 3/8"X1/2"
35	GACP900023	WATER CONNECTION
36	RTCU700285	BURNER
37	RTCU700358	FEEDING COLLECTOR
38	RTCU700020	PIEZO LIGHTING
39	PACU700500	PILOT PIPE
40	RTCU900019	NUT FOR PIPE Ø 6
41	RTCU900018	BICONE FOR PIPE Ø 6
42		
43	PACU700499	BURNER FEEDING PIPE
44	RTCU900014	BICONE Ø 12 TO FIX THE TAP
45	RTCU900015	NUT FOR PIPE Ø 12

<b>Key No</b>	<b>Part No</b>	<b>Description</b>
46	RTCU900011	SAFETY VALVE
47	RTCU800181	NUT FOR PIPE Ø 12
48	RTCU800195	BICONE FOR PIPE Ø 12
49	RTCU800180	INJECTOR SUPPORT
50	RTCU900005	SUPPORT LOCK NUT
51		
52	RTCP800034	PILOT BODY
53		
54	RTCP800038	THERMOCOUPLE FITTING
55	RTCU900474	TERMOCOUPLE CM. 75
56	RTCP800033	SPARK PLUG
57	PACU700484	LEFT DOOR



As continued product improvement is a policy of HOBART, specifications are subject to change with-out notice.

15.09.2003-Issue-1