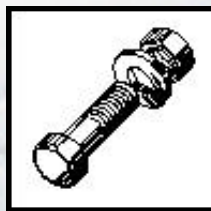


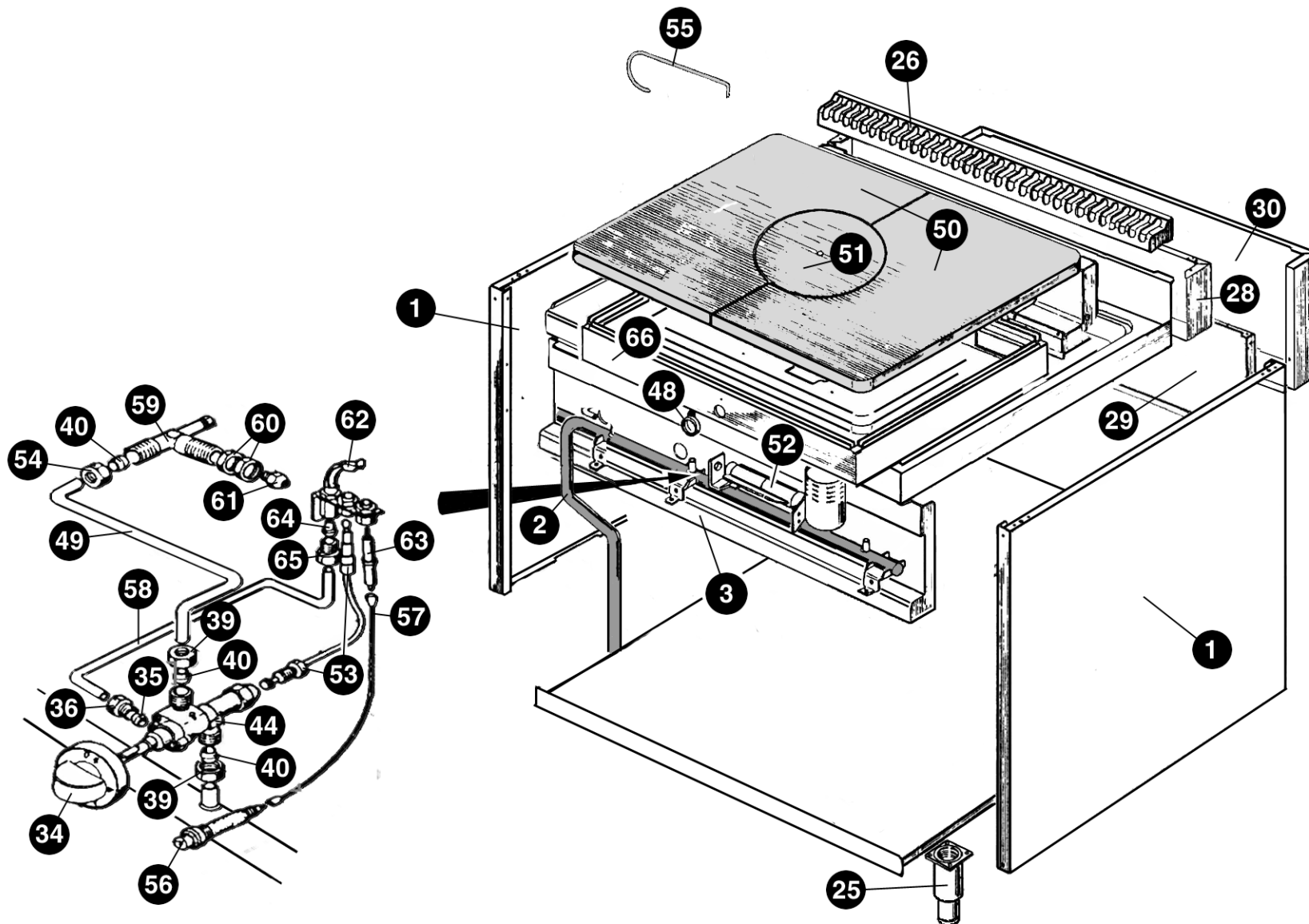


Gas Range Solid Tops
HGTF7 - HGT2SDFA7 - HGT4SF27

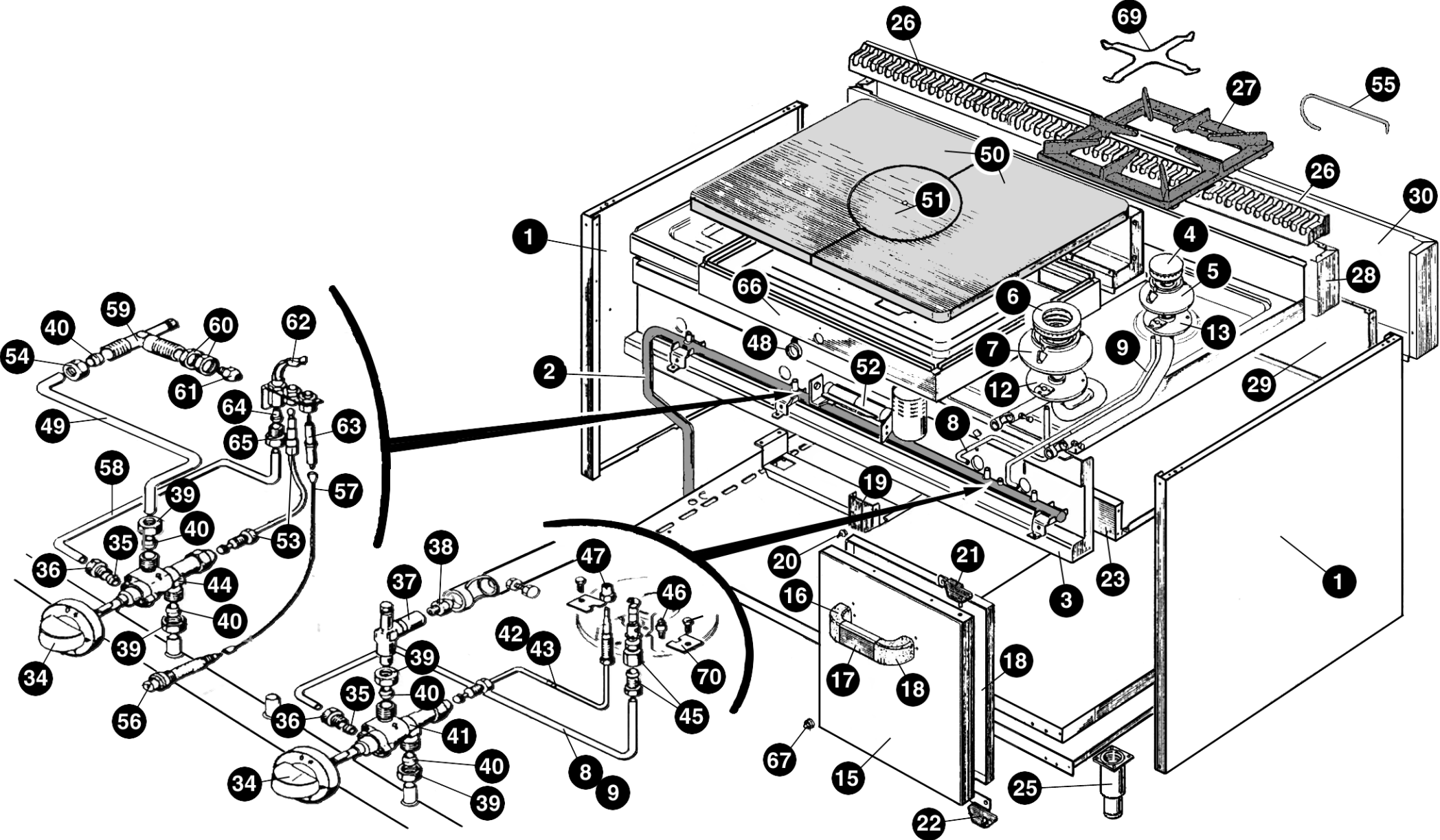


Spare Parts





| Key No | Part No | Description |
|---------------|----------------|----------------------------|
| 1 | PACU700424 | SIDE |
| 2 | RTCU700398 | COLLECTOR |
| | RTCU700730 | * |
| 3 | GACU700139 | CONTROL PANEL |
| 14 | PACU700548 | WORK PLANE |
| 25 | RTCU700277 | STAINLESS STEEL FOOT |
| 26 | GACU700118 | CHIMNEY GRILL |
| 28 | PACU700485 | STAINLESS STEEL BACK PANEL |
| 29 | PACU700485 | STAINLESS STEEL BACK PANEL |
| 34 | RTCU700308 | SAFETY VALVE KNOB |
| 35 | RTCU900018 | BICONE FOR PIPE Ø 6 |
| 36 | RTCU900019 | NUT FOR PIPE Ø 6 |
| 39 | RTCU700297 | NUT FOR PIPE Ø 10 |
| 40 | RTCU900012 | DOUBLE CONE D.10 |
| 44 | RTCU700259 | TAP |
| 48 | RTBF900054 | SPY-HOLE |
| 49 | PACU700552 | FEEDING PIPE FOR BURNER |
| 50 | RTCU700288 | COOKING PLANE |
| 52 | GACU700131 | GAS SOLID TOP BURNER |
| 53 | RTCU700296 | THERMOCOUPLE |
| 54 | RTCU900013 | NUT |
| 55 | RTCU900030 | REMOVAL HOOK |
| 56 | RTCU700020 | PIEZO LIGHTING |
| 57 | RTCU900384 | LIGHTING CABLE |
| 58 | PACU700553 | PILOT PIPE |
| 59 | RTCU700001 | INJECTOR SUPPORT |
| 60 | RTCU900005 | SUPPORT LOCK NUT |
| 62 | RTCP800034 | PILOT BODY |
| 63 | RTCP800033 | SPARK PLUG |
| 65 | RTCP800038 | THERMOCOUPLE FITTING |
| 66 | PACU700556 | COMBUSTION CHAMBER |

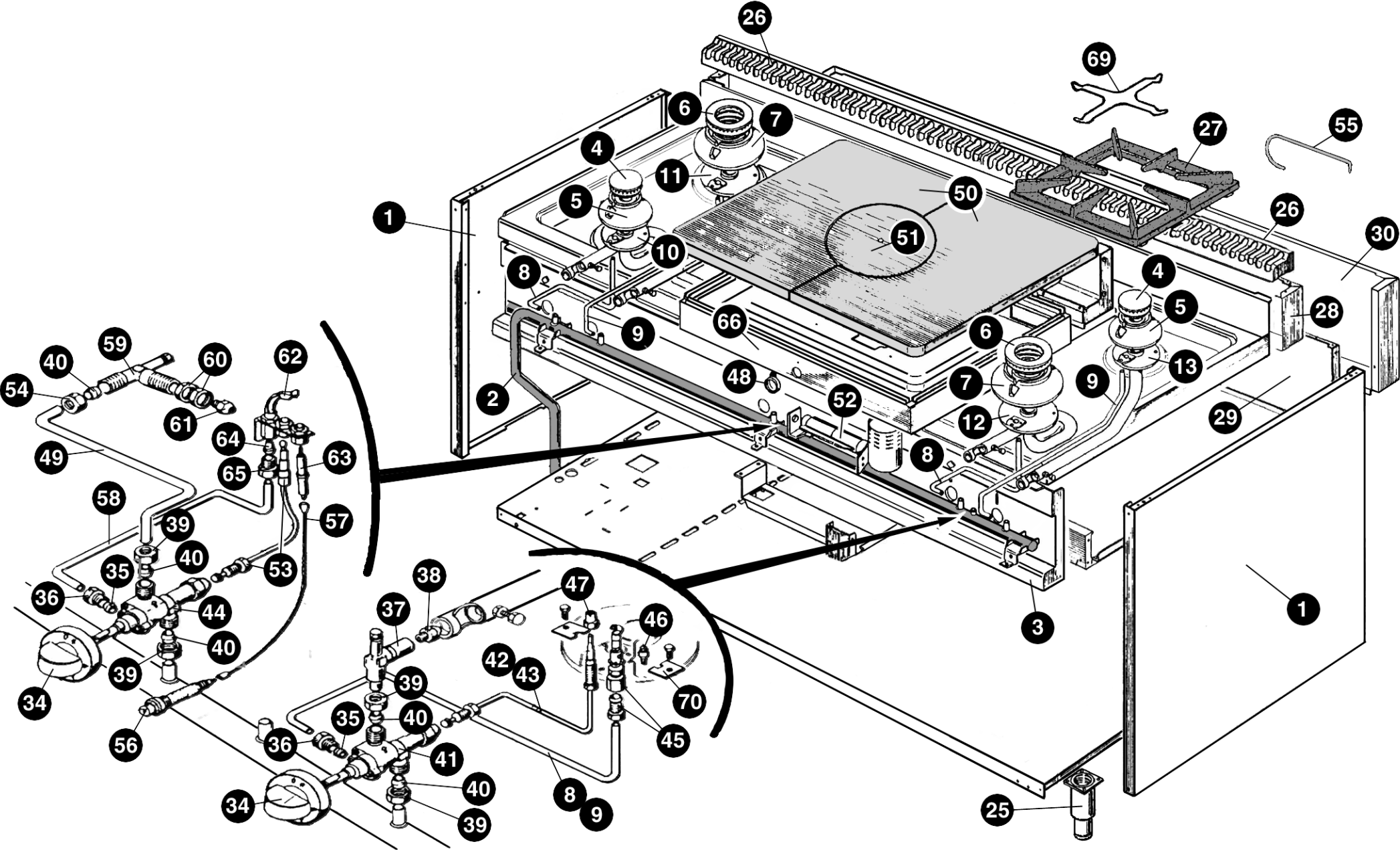


| Key No | Part No | Description |
|--------|------------|-----------------------------------|
| 1 | PACU700424 | SIDE |
| 2 | RTCU700409 | COLLECTOR (GT2SDFA7) |
| | RTCU700411 | COLLECTOR (GT2SSFA7) |
| 3 | GACU700160 | CONTROL PANEL |
| 4 | RTCU700375 | BURNER CAP 3,5 KW |
| 5 | RTCU700380 | BURNER 3,5 KW |
| 6 | RTCU700376 | BURNER CAP 6 KW |
| 7 | RTCU700382 | BURNER 6 KW |
| 8 | PACU700572 | FRONT BURNER PILOT PIPE |
| 9 | PACU700573 | BACK BURNER PILOT PIPE |
| 10 | GACU700153 | CONTROL PANEL |
| 11 | GACU700138 | TUBO ALIMENT. BRUCIAT. POST. 6 KW |
| 12 | GACU700136 | FRONT BURNER DISTRIB. PIPE 6 KW |
| 13 | GACU700137 | BACH BURNER DISTRIB. PIPE 3,5 KW |
| 14 | PACU700629 | WORK PLANE (GT2SD7) |
| | PACU700631 | WORK PLANE (GT2SS7) |
| 15 | PACU700422 | RIGHT DOOR |
| 16 | RTCU700291 | HANDLE |
| 17 | PACU700421 | CUPBOARD DOOR HANDLE |
| 18 | PACU700420 | CUPBOARD COUNTER DOOR |
| 19 | PACU700645 | CUPBOARD SIDE |
| 20 | RTTAV00093 | MAGNETIC CONNECTION |
| 21 | GACU700113 | RIGHT HINGE CUPBOARD DOOR |
| 22 | GACU700112 | LEFT HINGE CUPBOARD DOOR |
| 23 | | |
| 24 | PACU700647 | CUPBOARD LOWER SIDE |
| 25 | RTCU700277 | STAINLESS STEEL FOOT |
| 26 | GACU700142 | CHIMNEY GRILL |
| 27 | RTCU700274 | WORK PLANE GRATE |
| 28 | PACU700648 | SUPERIOR CHIMNEY |
| 29 | PACU700642 | STAINLESS STEEL BACK PANEL |
| 30 | | |
| 31 | | |
| 32 | | |
| 33 | | |
| 34 | RTCU700308 | SAFETY VALVE KNOB |
| 35 | RTCU900018 | BICONE FOR PIPE Ø 6 |
| 36 | RTCU900019 | NUT FOR PIPE Ø 6 |
| 37 | RTCU700325 | INJECTOR SUPPORT |
| 39 | RTCU700297 | NUT FOR PIPE Ø 10 |
| 40 | RTCU900012 | DOUBLE CONE D.10 |
| 41 | RTCU700259 | TAP |
| 42 | RTCU700373 | THERMOCOUPLE CM. 30 |
| 43 | RTCU700374 | THERMOCOUPLE CM. 50 |
| 44 | | |
| 45 | RTCU700372 | PILOT |
| 46 | | |



HGT2SSFA7
HGT2SDFA7

| Key No | Part No | Description |
|--------|------------|-------------------------|
| 47 | RTCU700391 | NUT FOR THERMOCOUPLE |
| 48 | RTBF900054 | SPY-HOLE |
| 49 | PACU700552 | FEEDING PIPE FOR BURNER |
| 50 | RTCU700288 | COOKING PLANE |
| 51 | RTCU700366 | DISK FOR COOKING PLANE |
| 52 | GACU700131 | GAS SOLID TOP BURNER |
| 53 | RTCU700296 | THERMOCOUPLE |
| 54 | RTCU900013 | NUT |
| 55 | RTCU900030 | REMOVAL HOOK |
| 56 | RTCU700020 | PIEZO LIGHTING |
| 57 | RTCU900384 | LIGHTING CABLE |
| 58 | PACU700553 | PILOT PIPE |
| 59 | RTCU700001 | INJECTOR SUPPORT |
| 60 | RTCU900005 | SUPPORT LOCK NUT |
| 61 | | |
| 62 | RTCP800034 | PILOT BODY |
| 63 | RTCP800033 | SPARK PLUG |
| 64 | | |
| 65 | RTCP800038 | THERMOCOUPLE FITTING |
| 66 | PACU700556 | COMBUSTION CHAMBER |
| 67 | | |
| 68 | | |
| 69 | RTCU700028 | REDUCTION GRATE |

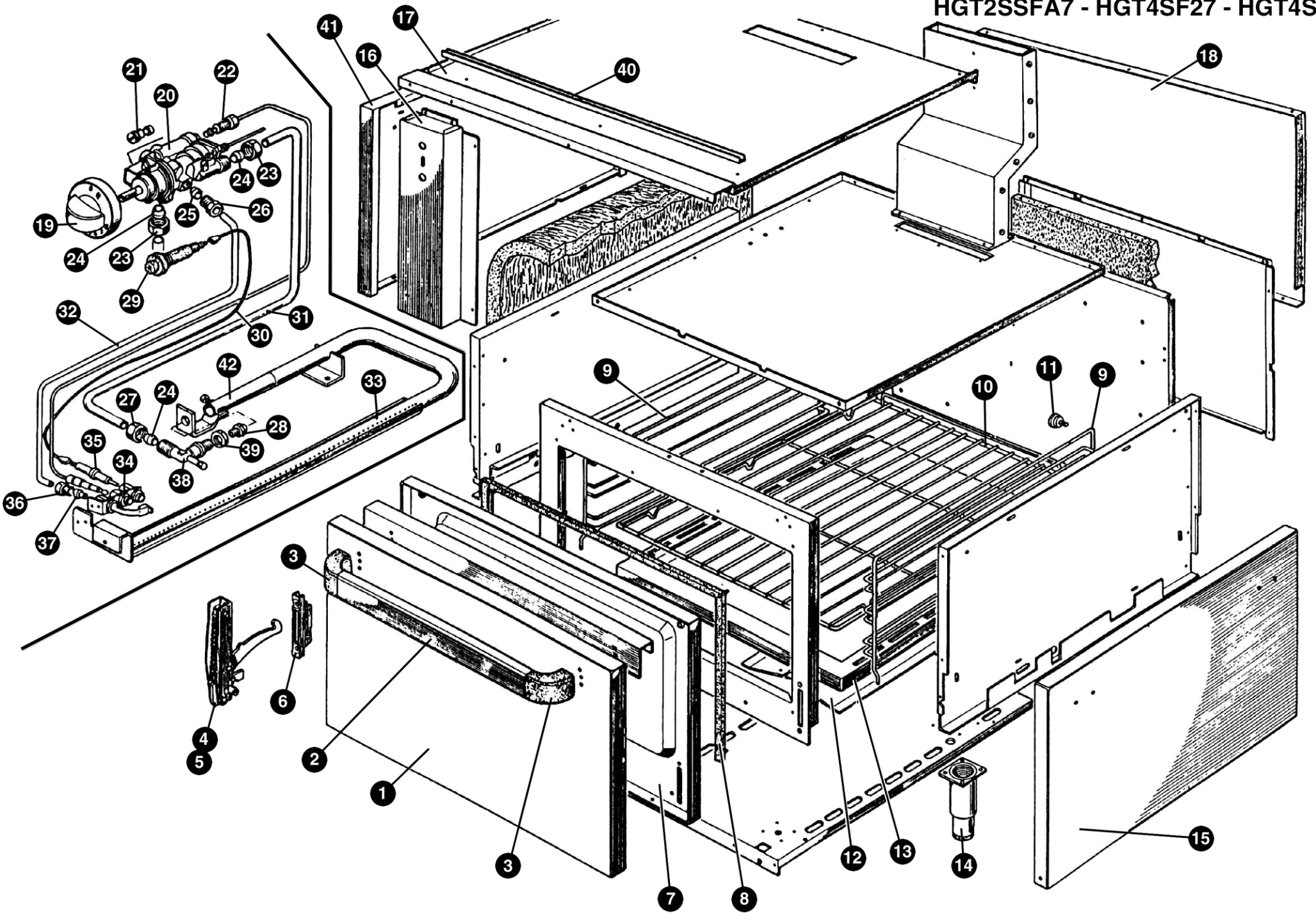


| Key No | Part No | Description |
|--------|------------|-----------------------------------|
| 1 | PACU700424 | SIDE |
| 2 | RTCU700552 | COLLECTOR |
| 3 | GACU700189 | CONTROL PANEL |
| 4 | RTCU700375 | BURNER CAP 3,5 KW |
| 5 | RTCU700380 | BURNER 3,5 KW |
| 6 | RTCU700376 | BURNER CAP 6 KW |
| 7 | RTCU700382 | BURNER 6 KW |
| 8 | PACU700572 | FRONT BURNER PILOT PIPE |
| 9 | PACU700573 | BACK BURNER PILOT PIPE |
| 10 | GACU700153 | CONTROL PANEL |
| 11 | GACU700138 | TUBO ALIMENT. BRUCIAT. POST. 6 KW |
| 12 | GACU700136 | FRONT BURNER DISTRIB. PIPE 6 KW |
| 13 | GACU700137 | BACH BURNER DISTRIB. PIPE 3,5 KW |
| 14 | PACU700640 | WORK PLANE |
| 25 | RTCU700277 | STAINLESS STEEL FOOT |
| 27 | RTCU700274 | WORK PLANE GRATE |
| 28 | PACU700668 | SUPERIOR CHIMNEY |
| 29 | PACU700679 | STAINLESS STEEL BACK PANEL |
| 34 | RTCU700308 | SAFETY VALVE KNOB |
| 35 | RTCU900018 | BICONE FOR PIPE Ø 6 |
| 36 | RTCU900019 | NUT FOR PIPE Ø 6 |
| 37 | RTCU700325 | INJECTOR SUPPORT |
| 39 | RTCU700297 | NUT FOR PIPE Ø 10 |
| 40 | RTCU900012 | DOUBLE CONE D.10 |
| 41 | RTCU700259 | TAP |
| 42 | RTCU700373 | THERMOCOUPLE CM. 30 |
| 43 | RTCU700374 | THERMOCOUPLE CM. 50 |
| 44 | RTCU700259 | TAP |
| 45 | RTCU700372 | PILOT |
| 46 | RTCU700389 | PILOT PILOT INJECTOR Ø 0,21 |
| 47 | RTCU700391 | NUT FOR THERMOCOUPLE |
| 48 | RTBF900054 | SPY-HOLE |
| 49 | PACU700552 | FEEDING PIPE FOR BURNER |
| 50 | RTCU700288 | COOKING PLANE |
| 52 | GACU700131 | GAS SOLID TOP BURNER |
| 53 | RTCU700296 | THERMOCOUPLE |
| 54 | RTCU900013 | NUT |
| 55 | RTCU900030 | REMOVAL HOOK |
| 56 | RTCU700020 | PIEZO LIGHTING |
| 57 | RTCU900384 | LIGHTING CABLE |
| 58 | PACU700553 | PILOT PIPE |
| 59 | RTCU700001 | INJACTOR SUPPORT |
| 60 | RTCU900005 | SUPPORT LOCK NUT |
| 62 | RTCP800034 | PILOT BODY |
| 63 | RTCP800033 | SPARK PLUG |
| 65 | RTCP800038 | THERMOCOUPLE FITTING |
| 66 | PACU700556 | COMBUSTION CHAMBER |
| 69 | RTCU700028 | REDUCTION GRATE |
| 70 | RTCU700407 | PILOT PLATE |

HOBART

Oven - Section

HG4SF7 - HG6SFA7 - HG2SDMF7
HG2SSMF7 - HGTF7 - HGT2SDFA7
HGT2SSFA7 - HGT4SF27 - HGT4SFA7





Oven - Section

HG4SF7 - HGSFA7 - HG2SDMF7
HG2SSMF7 - HGTF7 - HGT2SDFA7
HGT2SSFA7 - HGT4SF27 - HGT4SFA7

| Key No | Part No | Description |
|--------|------------|-------------------------------|
| 1 | PACU700569 | Oven door |
| 2 | PACU700447 | Oven door handle |
| 3 | RTCU700291 | Handle |
| 4 | RTCU900027 | Oven door left hinge |
| 5 | RTCU900026 | Oven door right hinge |
| 6 | RTCU900004 | Hinge support |
| 7 | | |
| 8 | RTCU800097 | Oven door gasket |
| 9 | RTCU700342 | Oven lateral grate |
| 10 | RTCU700341 | Grate |
| 11 | RTCU700002 | Grate connection |
| 12 | PACU700587 | Air conveyor |
| 13 | GACU700132 | Oven Base/Crumb Tray |
| 14 | | |
| 15 | | |
| 16 | | |
| 17 | | |
| 18 | | |
| 19 | RTCU700344 | Thermostat handle |
| 20 | RTCU700289 | Gas thermostat |
| 21 | | |
| 22 | | |
| 23 | RTCU700297 | Nut for pipe Ø 10 |
| 24 | RTCU900012 | Bicone Ø10 |
| 25 | RTCU900018 | Bicone for pipe Ø 6 |
| 26 | RTCU900019 | Nut for pipe Ø 6 |
| 27 | RTCU900013 | Nut |
| 28 | | |
| 29 | RTCU700020 | Piezo lighting |
| 30 | | |
| 31 | | |
| 32 | | |
| 33 | RTCU700377 | Oven burner |
| 34 | RTCP800034 | Pilot body |
| 35 | RTCP800033 | Spark plug |
| 36 | RTCP800038 | Thermocouple fitting |
| 37 | RTCP800041 | Injector pilot Ø 0,19 for LPG |
| 39 | RTCU900337 | Injector support |
| 40 | | |
| 41 | | |
| 42 | | |



As continued product improvement is a policy of HOBART, specifications are subject to change with-out notice.

15.09.2003-Issue-1