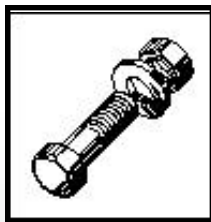




# HOBART

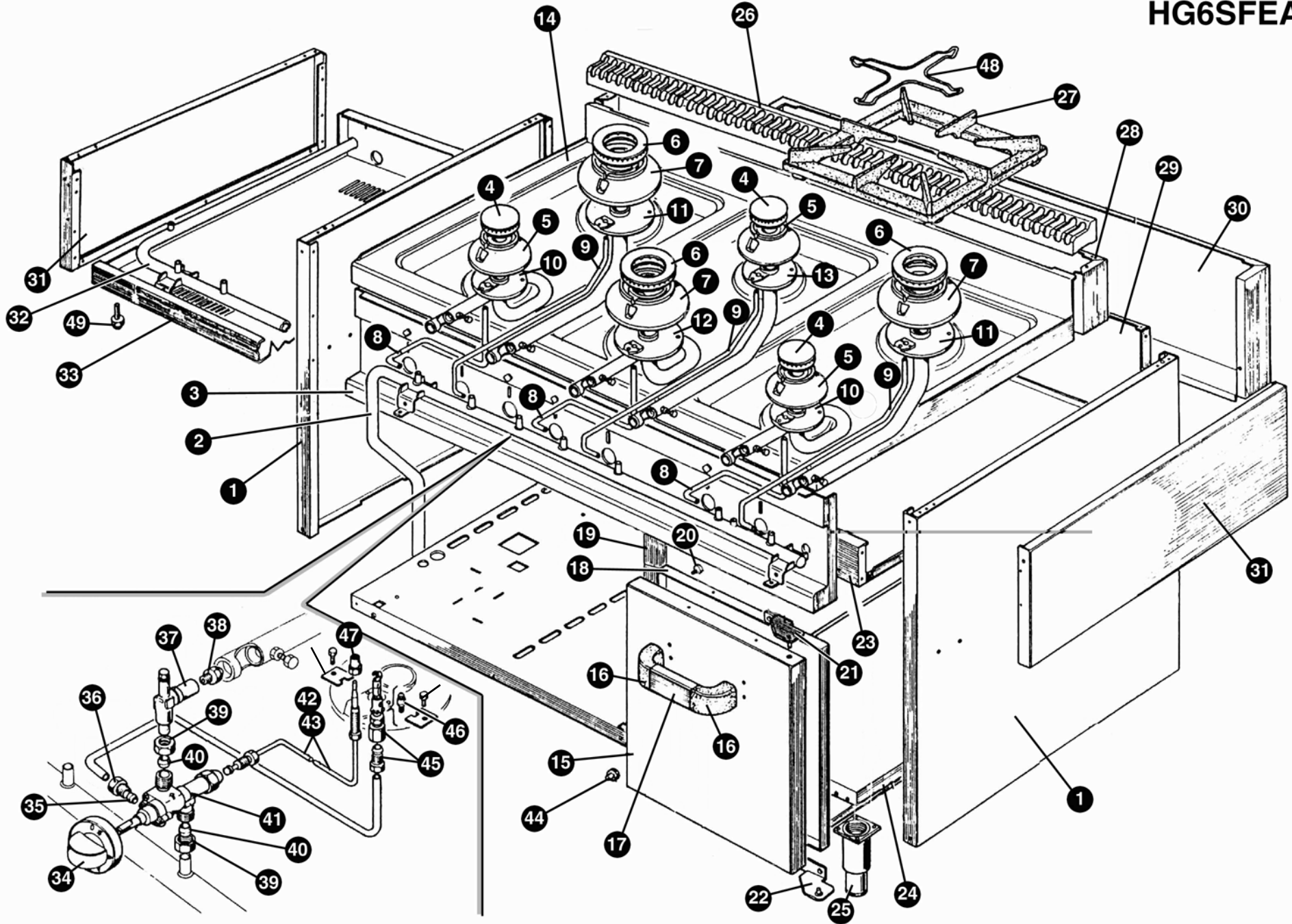


## HG6SFA7 - HG6SFEA7 6-Burner Gas Range c/w Electric Oven



*Spare Parts*



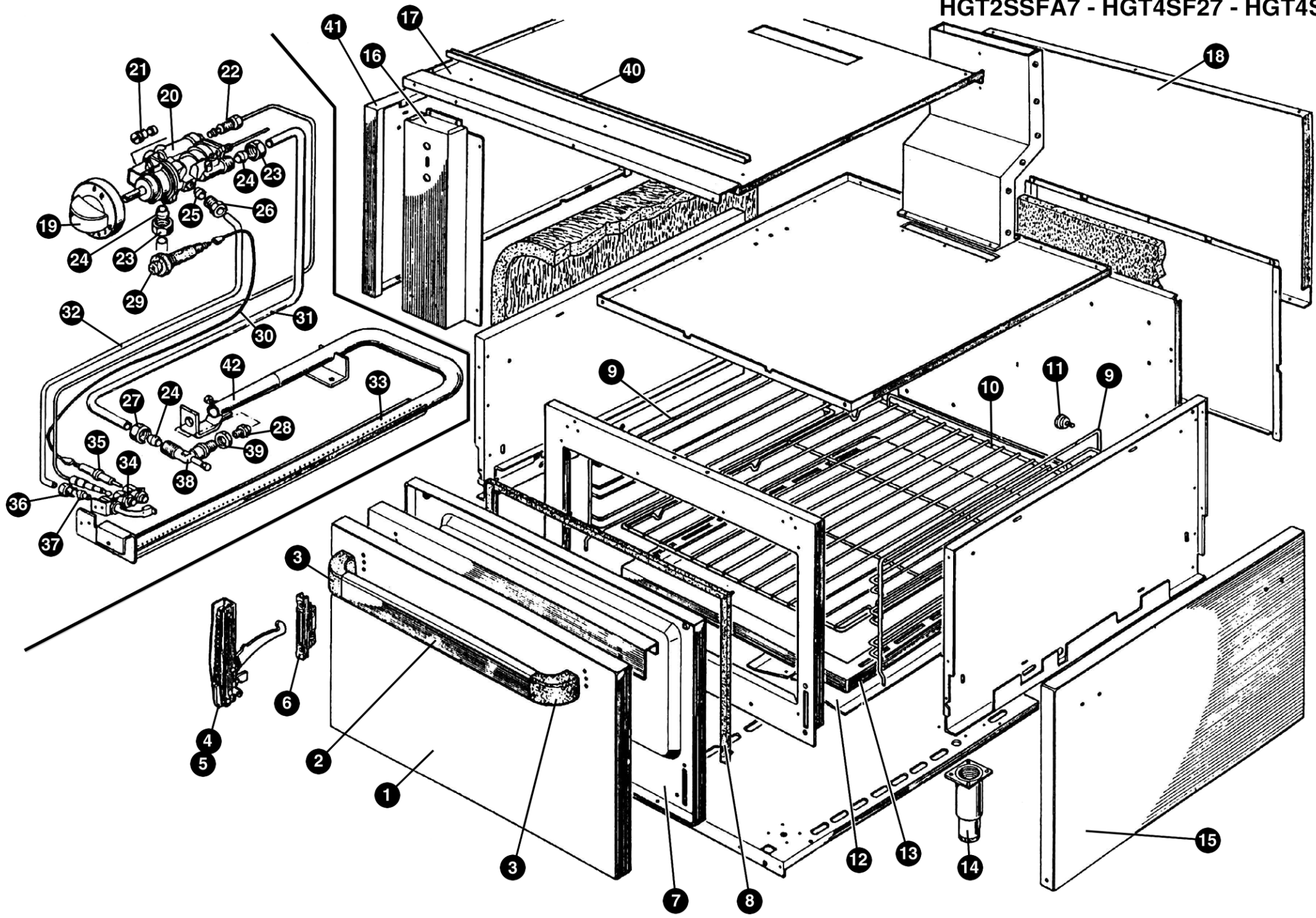


| Key No | Part No    | Description                       |
|--------|------------|-----------------------------------|
| 1      | PACU700424 | Side                              |
| 2      | RTCU700446 | Collector                         |
| 3      | GACU700182 | Control panel                     |
| 4      | RTCU700375 | Burner cap 3,5 kW                 |
| 5      | RTCU700380 | Burner 3,5 kW                     |
| 6      | RTCU700376 | Burner cap 6 kW                   |
| 7      | RTCU700382 | Burner 6 kW                       |
| 8      | PACU700572 | Front burner pilot pipe           |
| 9      | PACU700573 | Back burner pilot pipe            |
| 10     | GACU700135 | Front burner distrib. pipe 3,5 kW |
| 11     | GACU700138 | Tubo aliment. bruciat. post. 6 kW |
| 12     | GACU700136 | Front burner distrib. pipe 6 kW   |
| 13     | GACU700137 | Bach burner distrib. pipe 3,5 kW  |
| 14     | PACU700596 | Work plane                        |
| 15     | PACU700422 | Right door                        |
| 16     | RTCU700291 | Handle                            |
| 17     | PACU700421 | Cupboard door handle              |
| 18     | PACU700420 | Cupboard counter door             |
| 19     | PACU700645 | Cupboard side                     |
| 20     | RTTAV00093 | Magnetic connection               |
| 21     | GACU700113 | Right hinge cupboard door         |
| 22     | GACU700112 | Left hinge cupboard door          |
| 23     | PACU700646 | Cupboard upper side               |
| 24     | PACU700647 | Cupboard lower side               |
| 25     | RTCU700277 | Stainless steel foot              |
| 26     | GACU700142 | Chimney grill                     |
| 27     | RTCU700274 | Work plane grate                  |
| 28     | PACU700648 | Superior chimney                  |
| 29     | PACU700642 | Stainless steel back panel        |
| 34     | RTCU700308 | Safety valve knob                 |
| 35     | RTCU900018 | Bicone for pipe Ø 6               |
| 36     | RTCU900019 | Nut for pipe Ø 6                  |
| 37     | RTCU700325 | Injector support                  |
| 39     | RTCU700297 | Nut for pipe Ø 10                 |
| 40     | RTCU900012 | Bicone Ø10                        |
| 41     | RTCU700259 | Tap                               |
| 42     | RTCU700373 | Thermocouple cm. 30               |
| 43     | RTCU700374 | Thermocouple cm. 50               |
| 44     | RTBF800021 | Rubber cup                        |
| 46     | RTCU700372 | Pilot                             |
| 47     | RTCU700389 | Pilot Pilot injector Ø 0,21       |
| 48     | RTCU700028 | Reduction grate                   |
| 49     | RTCU700407 | PLATE                             |

**HOBART**

Oven - Section

HG4SF7 - HG6SFA7 - HG2SDMF7  
HG2SSMF7 - HGTF7 - HGT2SDFA7  
HGT2SSFA7 - HGT4SF27 - HGT4SFA7





## Oven - Section

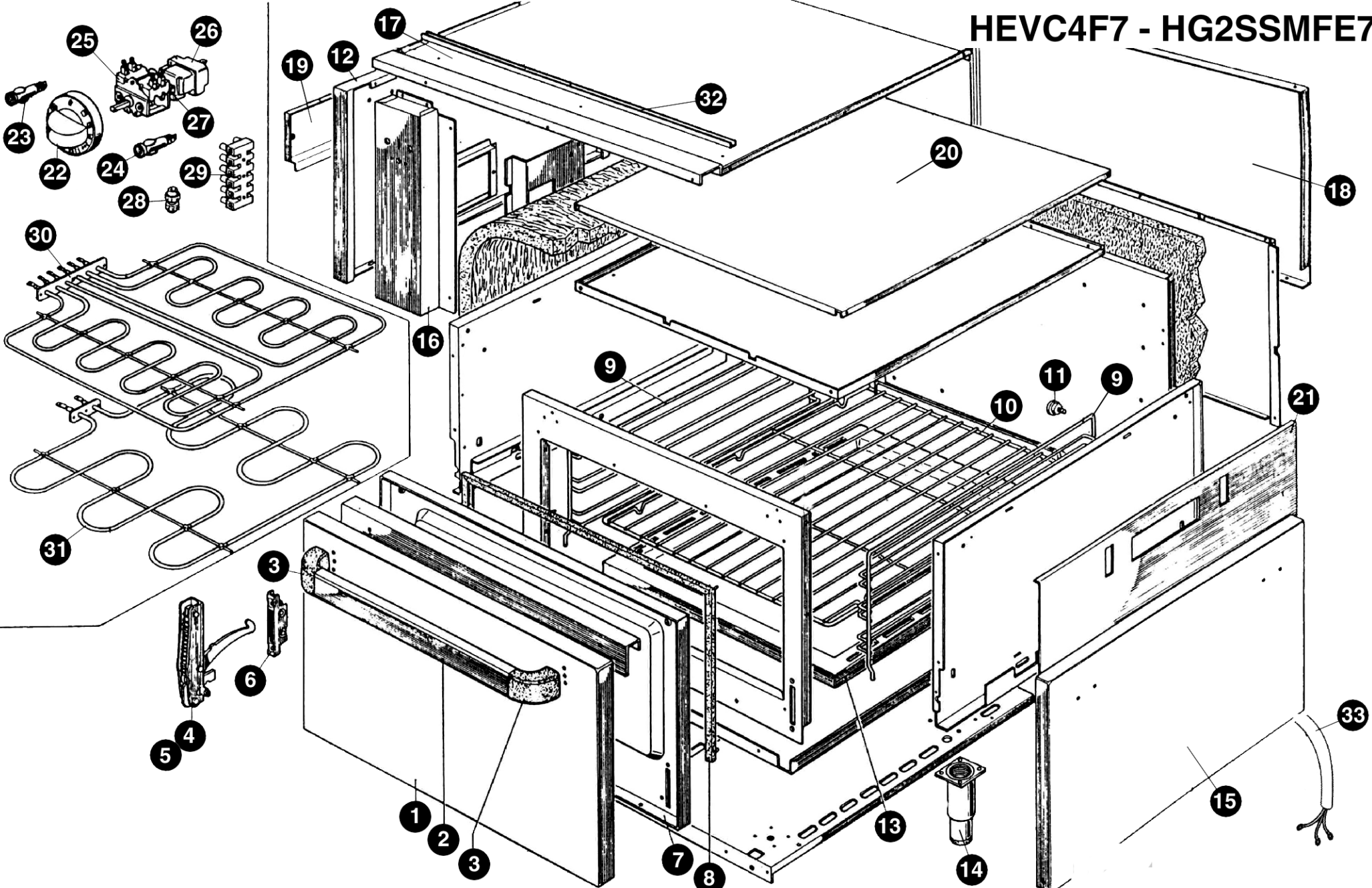
HG4SF7 - HGSFA7 - HG2SDMF7  
HG2SSMF7 - HGTF7 - HGT2SDFA7  
HGT2SSFA7 - HGT4SF27 - HGT4SFA7

| Key No | Part No    | Description                   |
|--------|------------|-------------------------------|
| 1      | PACU700569 | Oven door                     |
| 2      | PACU700447 | Oven door handle              |
| 3      | RTCU700291 | Handle                        |
| 4      | RTCU900027 | Oven door left hinge          |
| 5      | RTCU900026 | Oven door right hinge         |
| 6      | RTCU900004 | Hinge support                 |
| 7      |            |                               |
| 8      | RTCU800097 | Oven door gasket              |
| 9      | RTCU700342 | Oven lateral grate            |
| 10     | RTCU700341 | Grate                         |
| 11     | RTCU700002 | Grate connection              |
| 12     | PACU700587 | Air conveyor                  |
| 13     | GACU700132 | Oven/crumb tray               |
| 14     |            |                               |
| 15     |            |                               |
| 16     |            |                               |
| 17     |            |                               |
| 18     |            |                               |
| 19     | RTCU700344 | Thermostat handle             |
| 20     | RTCU700289 | Gas thermostat                |
| 21     |            |                               |
| 22     |            |                               |
| 23     | RTCU700297 | Nut for pipe Ø 10             |
| 24     | RTCU900012 | Bicone Ø10                    |
| 25     | RTCU900018 | Bicone for pipe Ø 6           |
| 26     | RTCU900019 | Nut for pipe Ø 6              |
| 27     | RTCU900013 | Nut                           |
| 28     |            |                               |
| 29     | RTCU700020 | Piezo lighting                |
| 30     |            |                               |
| 31     |            |                               |
| 32     |            |                               |
| 33     | RTCU700377 | Oven burner                   |
| 34     | RTCP800034 | Pilot body                    |
| 35     | RTCP800033 | Spark plug                    |
| 36     | RTCP800038 | Thermocouple fitting          |
| 37     | RTCP800041 | Injector pilot Ø 0,19 for LPG |
| 39     | RTCU900337 | Injector support              |
| 40     |            |                               |
| 41     |            |                               |
| 42     |            |                               |



# HOBART

HE4SF7 - HE4F7Q - HE6SFA7  
HG2SDMFE7 - HE6FA7Q  
HEVC4F7 - HG2SSMFE7





Oven Section - Elec  
351

HE4SF7 - HE4F7Q  
HE6SFA7 - HG2SDMFE7  
HG4SFE7 - HE6FA7Q  
HEVC4F7 - HG2SSMFE7

| Key No | Part No    | Description  |
|--------|------------|--|
| 1      | PACU700569 | OVEN DOOR ( GRCU700118 Complete door assy HG6SF7M) |
| 2      | PACU700447 | OVEN DOOR HANDLE                                   |
| 3      | RTCU700291 | HANDLE   |
| 4      | RTCU900027 | OVEN DOOR LEFT HINGE                               |
| 5      | RTCU900026 | OVEN DOOR RIGHT HINGE                              |
| 6      | RTCU900004 | HINGE SUPPORT                                      |
| 7      | PACU700570 | OVEN COUNTER DOOR                                  |
| 8      | RTCU800097 | OVEN DOOR GASKET                                   |
| 9      | RTCU700342 | OVEN LATERAL GRATE                                 |
| 10     | RTCU700341 | GRATE  |
| 11     | RTCU700002 | GRATE CONNECTION                                   |
| 12     | .          |  |
| 13     | PACU700559 | OVEN/crumb tray elec                               |
| 14     | .          |  |
| 15     | .          |  |
| 16     | .          |  |
| 17     | .          |  |
| 18     | .          |  |
| 19     | PACU700695 | TERMINAL BOARD INSPECTION COVER                    |
| 20     | RTCU700351 | UPPER PLATE  |
| 21     | .          |  |
| 22     | RTCU700437 | OVEN KNOB  |
| 23     | RTCU900290 | GREEN WARNING LAMP                                 |
| 24     | RTCU900072 | YELLOW WARNING LAMP                                |
| 25     | RTCU700079 | OVEN COMMUTATOR                                    |
| 26     | RTCU600067 | THERMOSTAT   |
| 27     | RTBF900037 | THERMOSTAT COMMUTATOR FLASK                        |
| 28     | RTBF800138 | CABLE CLAMB Ø 9                                    |
| 29     | RTBF900045 | TERMINAL BLOCK 6 POLES                             |
| 30     | RTCU700282 | OVEN GRILL ELEMENT 3,75 KW 240 V                   |
| 31     | RTCU700281 | OVEN ELEMENT 2,7 KW 240 V                          |
| 33     | RTCU900414 | FEEDING CABLE                                      |



As continued product improvement is a policy of HOBART, specifications are subject to change with-out notice.

15.09.2003-Issue-1